

US00D595467S

(12) **United States Design Patent**  
**Wolford et al.**

(10) **Patent No.:** **US D595,467 S**  
(45) **Date of Patent:** **\*\* Jun. 30, 2009**

(54) **LID FOR RECEPTACLE**

(75) Inventors: **Stephen Wolford**, Phoenix, MD (US);  
**A. P. Ramsey Crosby**, Towson, MD  
(US); **Paulette H. Crosby**, Towson, MD  
(US)

(73) Assignee: **Fan Cans, LLC**, Phoenix, MD (US)

(\*\*) Term: **14 Years**

(21) Appl. No.: **29/321,851**

(22) Filed: **Jul. 24, 2008**

(51) **LOC (9) Cl.** ..... **09-09**

(52) **U.S. Cl.** ..... **D34/4**

(58) **Field of Classification Search** ..... D34/1,  
D34/4, 5, 6, 7, 8, 9, 10, 11; D7/604, 606,  
D7/625; D9/441, 451, 435; D11/133, 172,  
D11/184, 157; 220/908

See application file for complete search history.

(56) **References Cited**

**U.S. PATENT DOCUMENTS**

D209,219 S	11/1967	Goldstein et al.
D289,598 S	5/1987	Parmet
D295,390 S	4/1988	Maddox et al.
D321,845 S	11/1991	Nys
D330,857 S	11/1992	Kidd
D349,630 S	8/1994	Redmon
D379,023 S	4/1997	August
D379,159 S	5/1997	Jackson
D471,060 S	3/2003	Salsman
D507,181 S	7/2005	Malik

D514,020 S	1/2006	Puett, III	
D531,776 S	11/2006	Gianfrisco	
D532,172 S	11/2006	Gianfrisco	
D542,996 S	5/2007	Gianfrisco	
D547,516 S *	7/2007	Wolford et al.	..... D34/4
D551,822 S	9/2007	Gianfrisco et al.	
D564,171 S	3/2008	Gianfrisco et al.	
D586,063 S *	2/2009	Wolford et al.	..... D34/4

\* cited by examiner

*Primary Examiner*—Cynthia E Ramirez

(74) *Attorney, Agent, or Firm*—Whiteford, Taylor & Preston, LLP

(57) **CLAIM**

The ornamental design for a lid for receptacle, as shown and described.

**DESCRIPTION**

FIG. 1 is a perspective view of a lid for receptacle showing our new design;

FIG. 2 is a right side view thereof;

FIG. 3 is a back view thereof;

FIG. 4 is a left side view thereof;

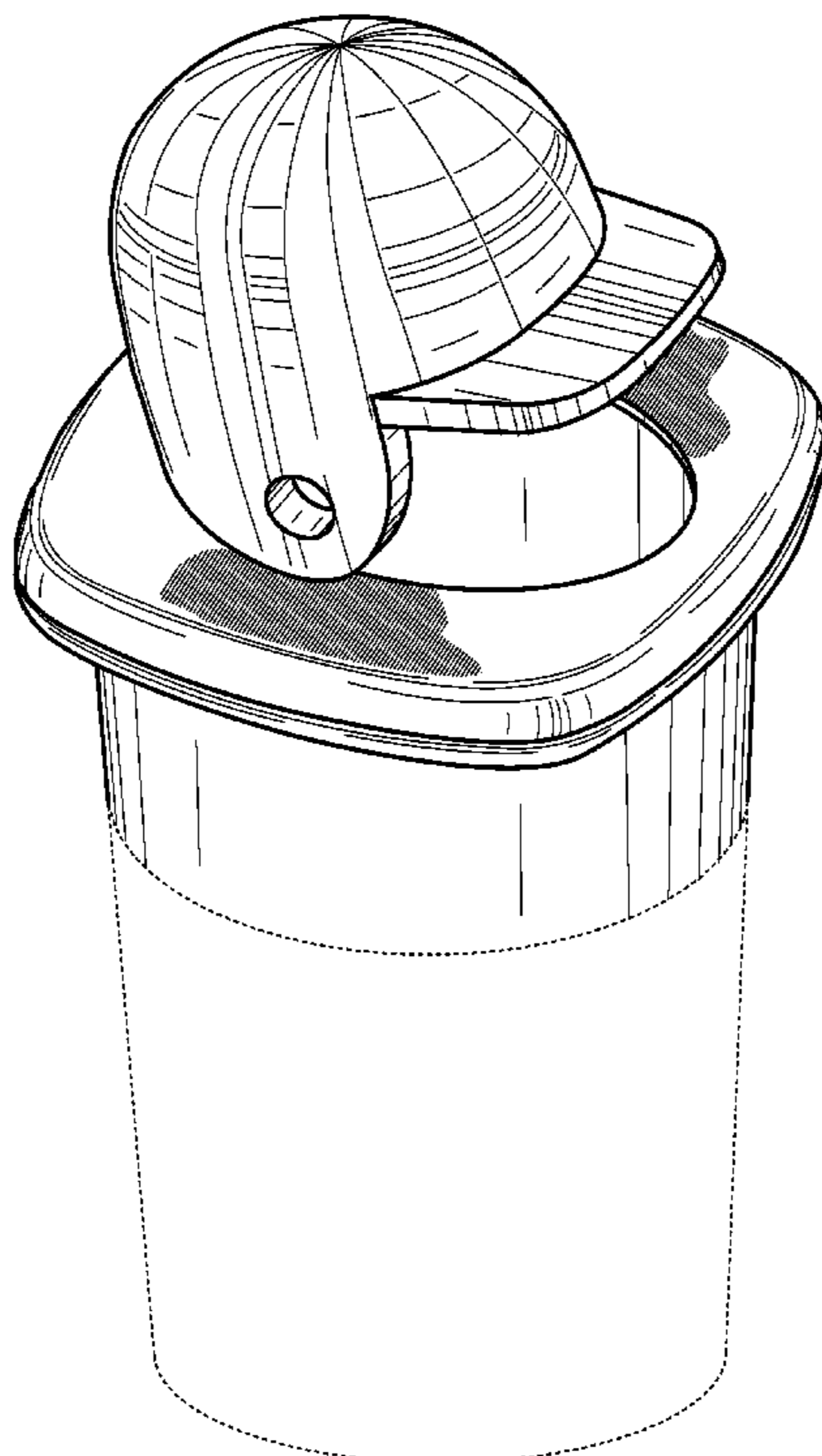
FIG. 5 is a front view thereof;

FIG. 6 is a top plan view thereof; and,

FIG. 7 is a bottom plan view thereof.

The broken line showing of a receptacle is included for the purpose of illustrating environment and forms no part of the claimed design.

**1 Claim, 6 Drawing Sheets**



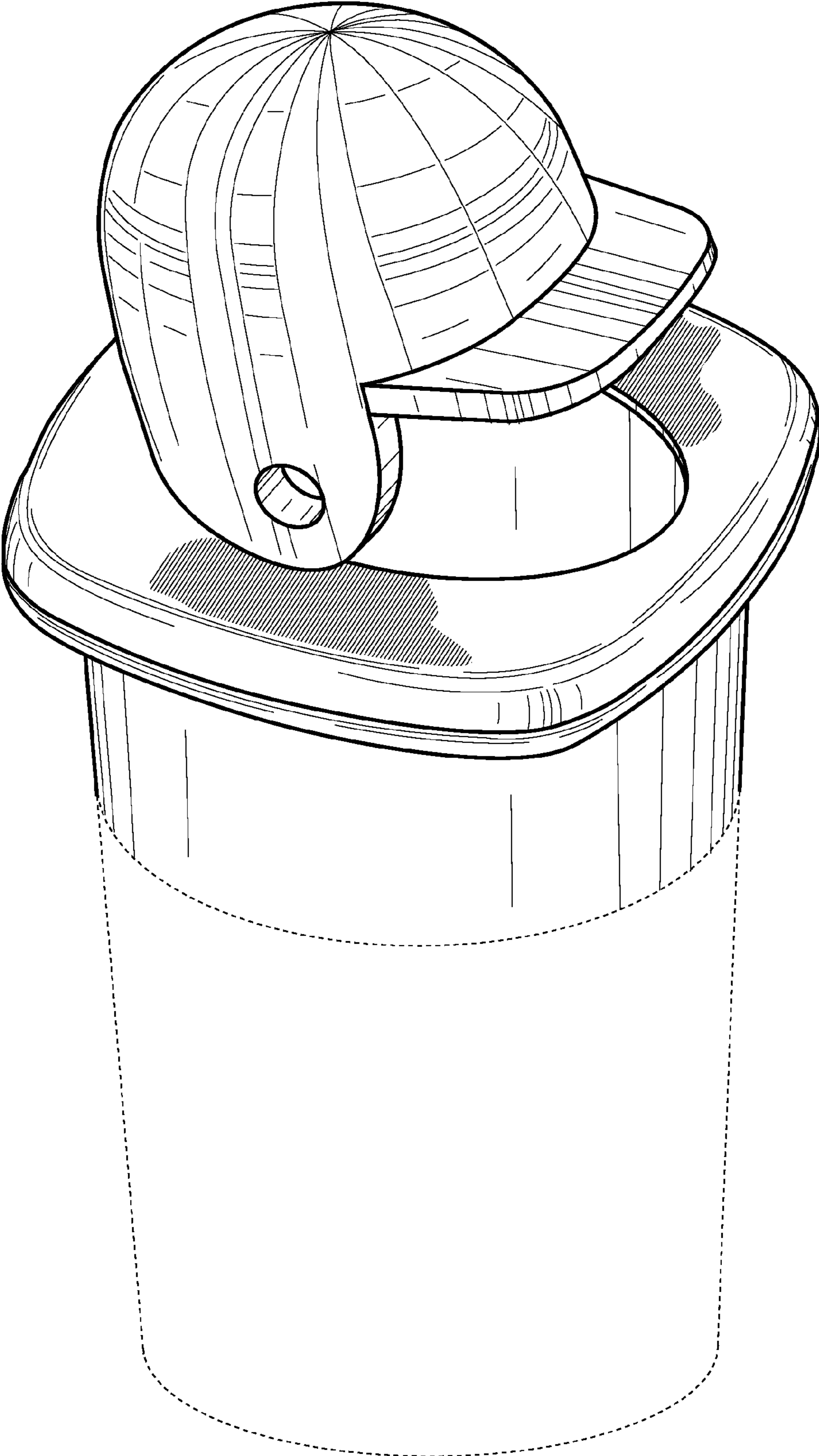


FIG. 1

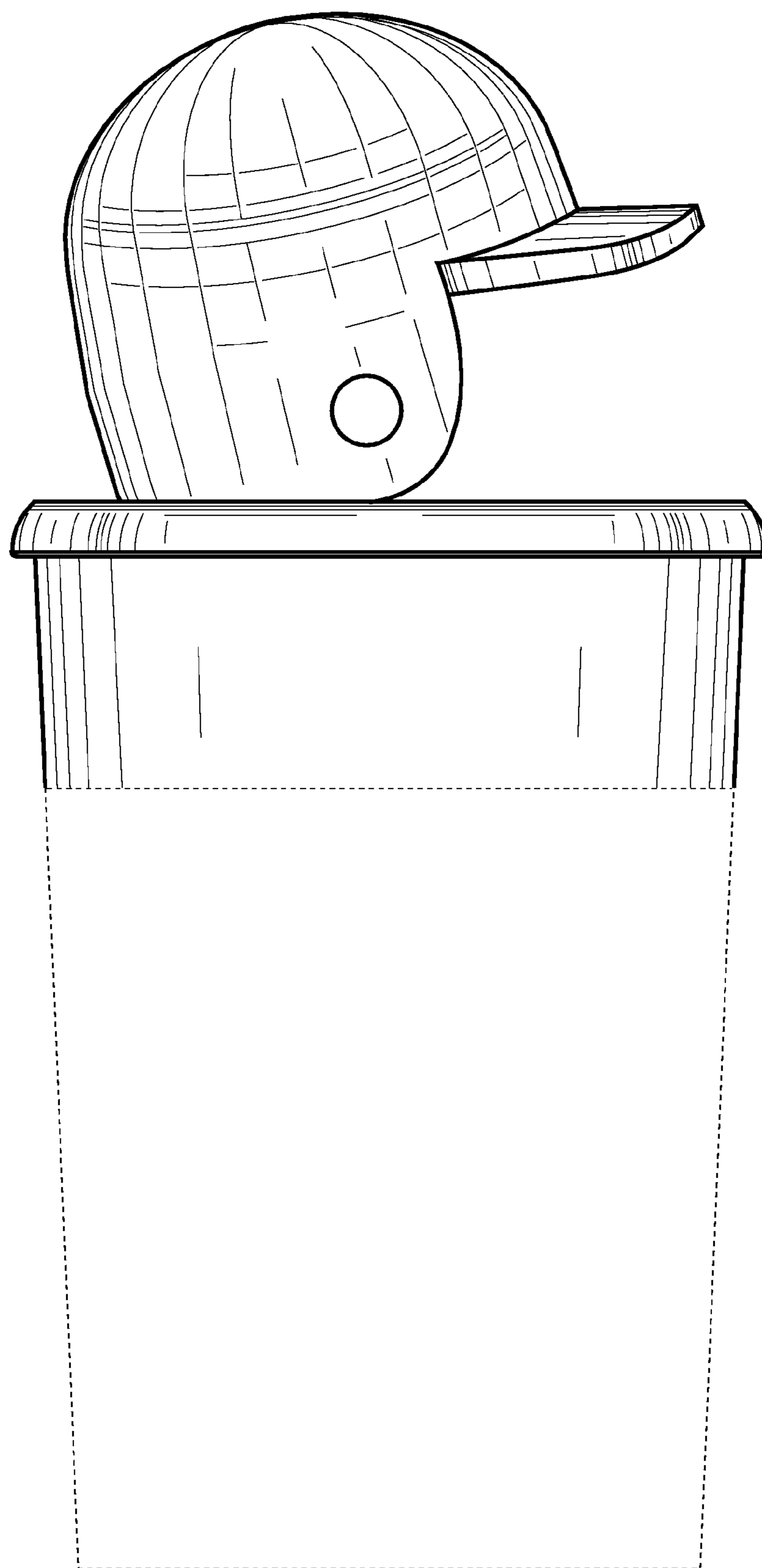


FIG. 2

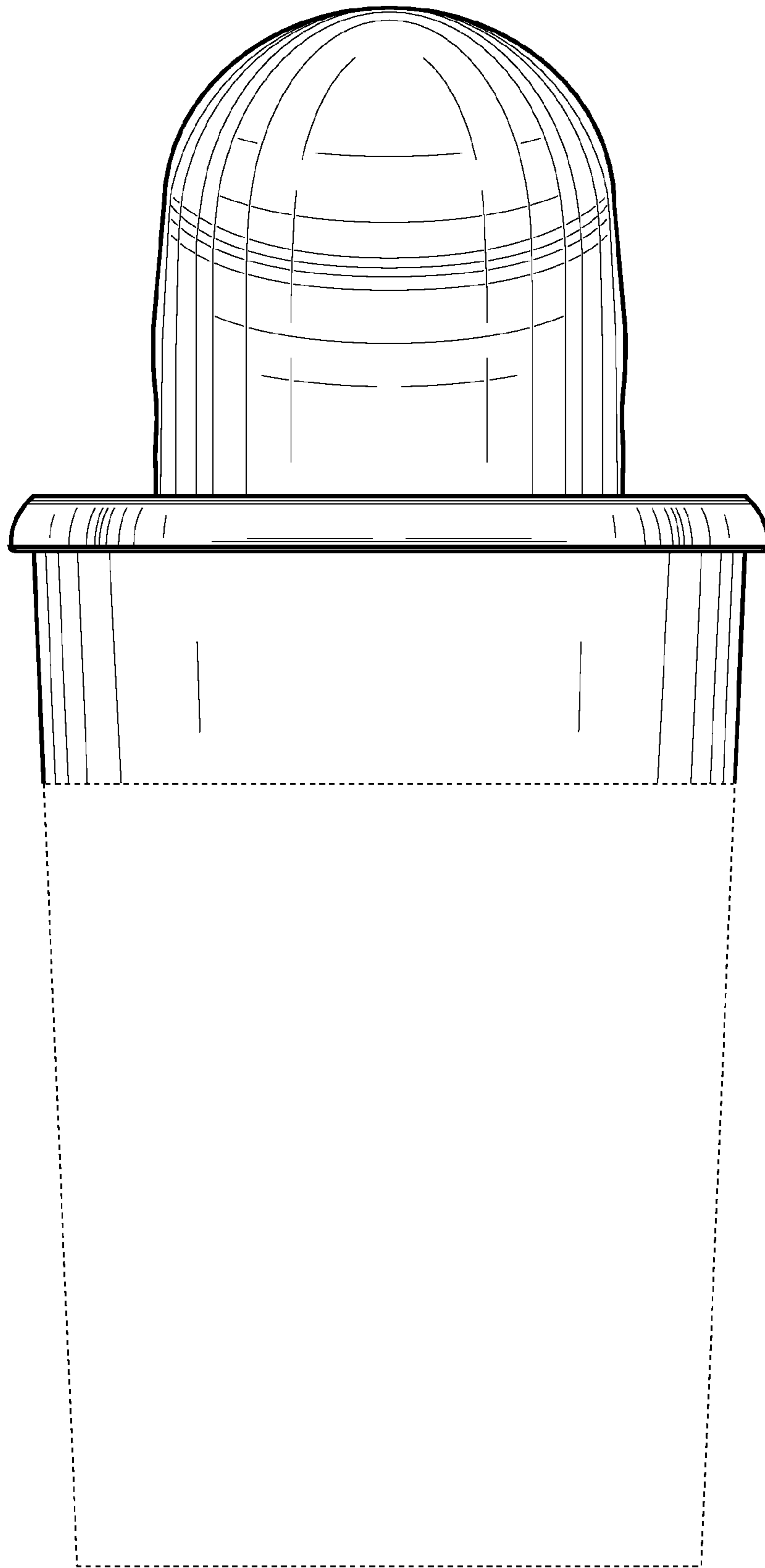


FIG. 3

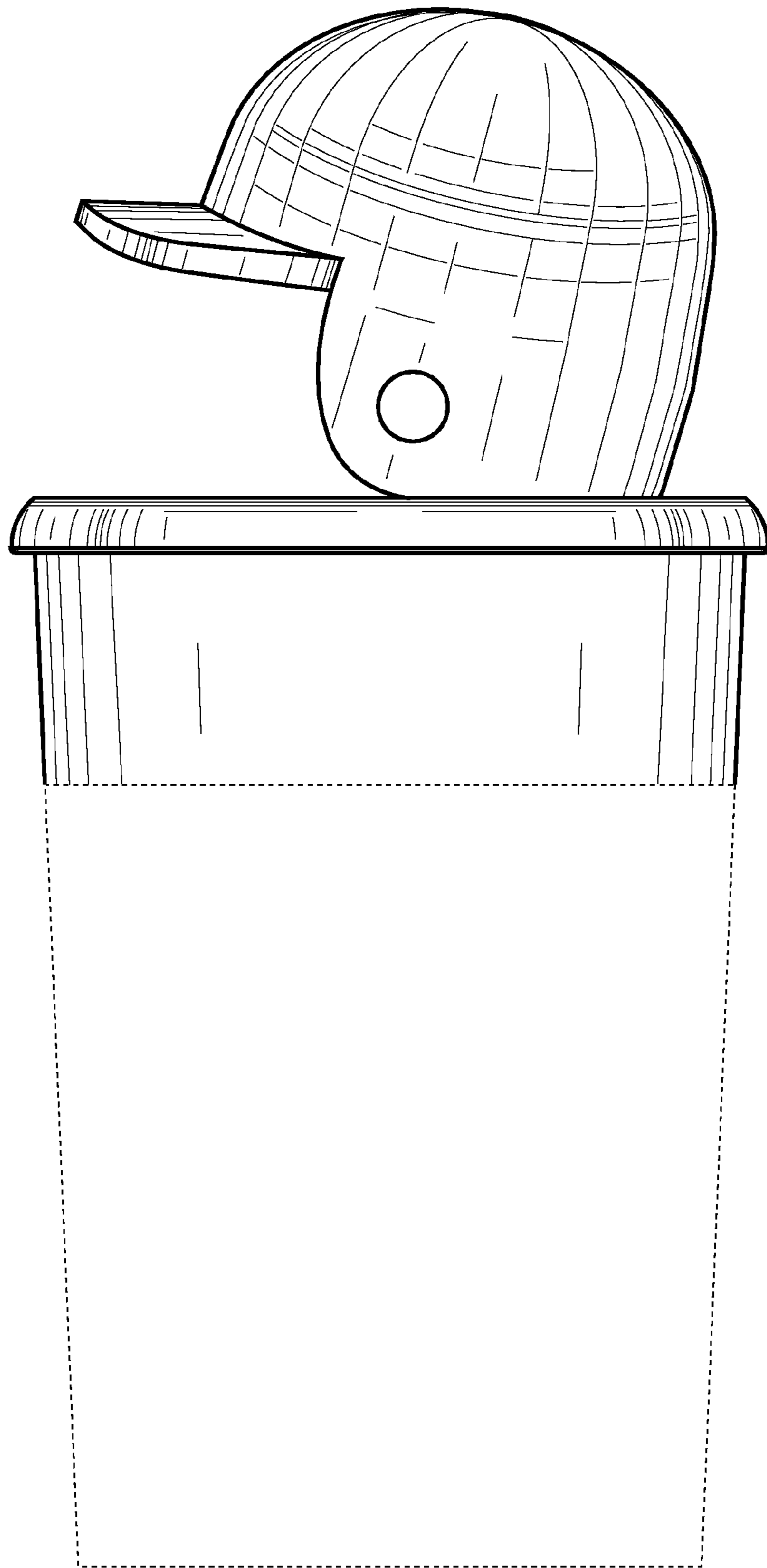


FIG. 4

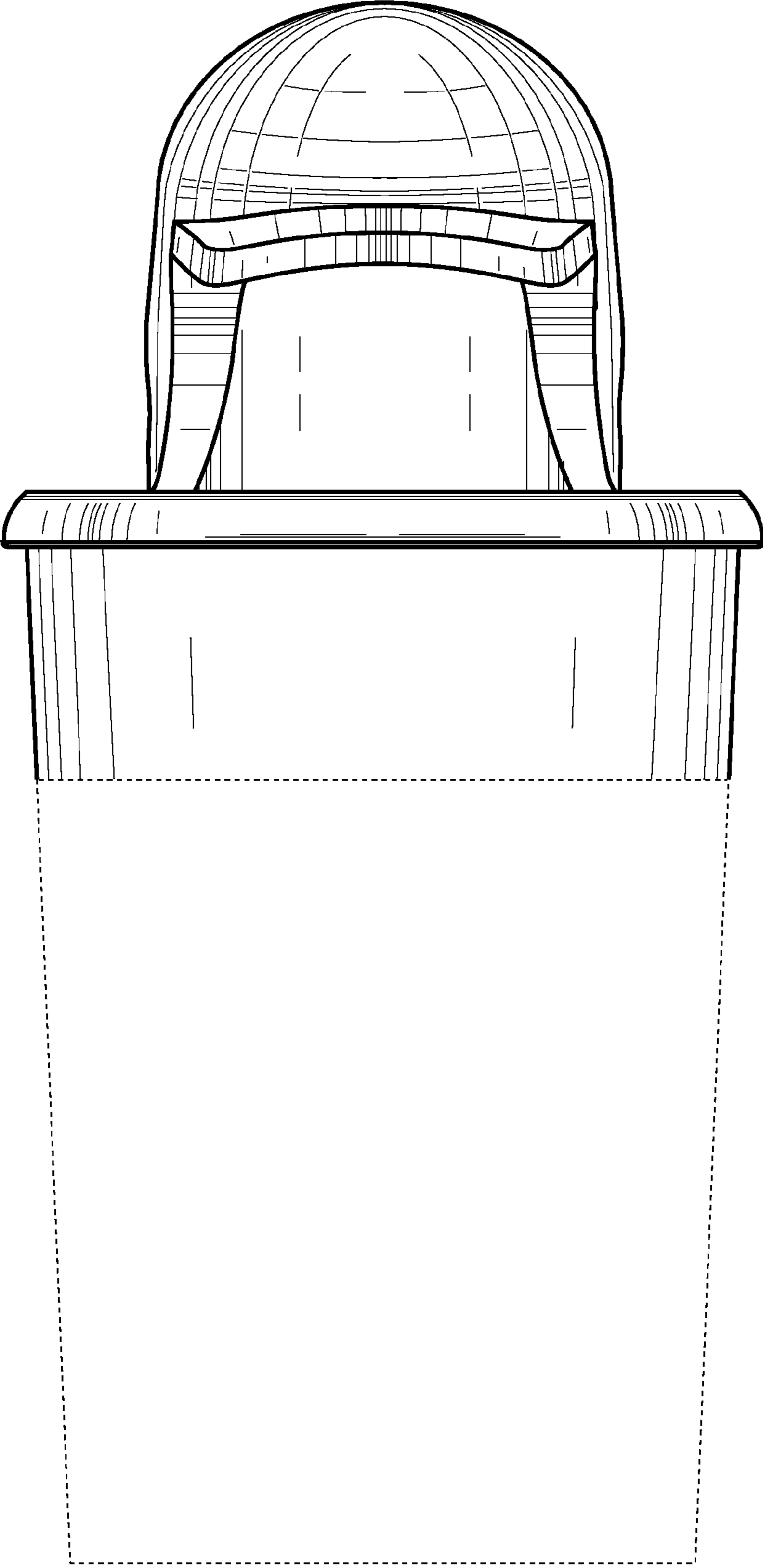


FIG. 5

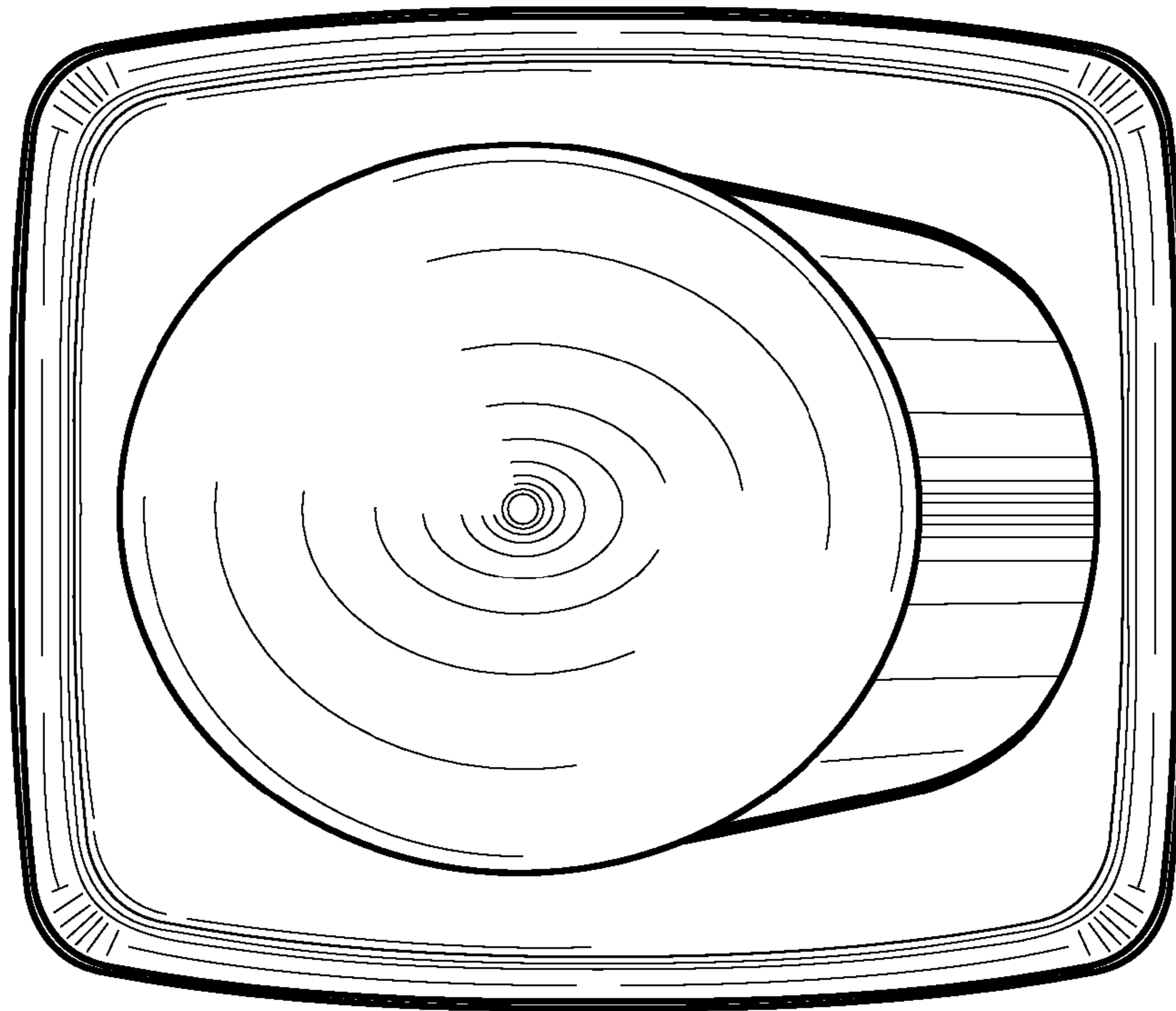


FIG. 6

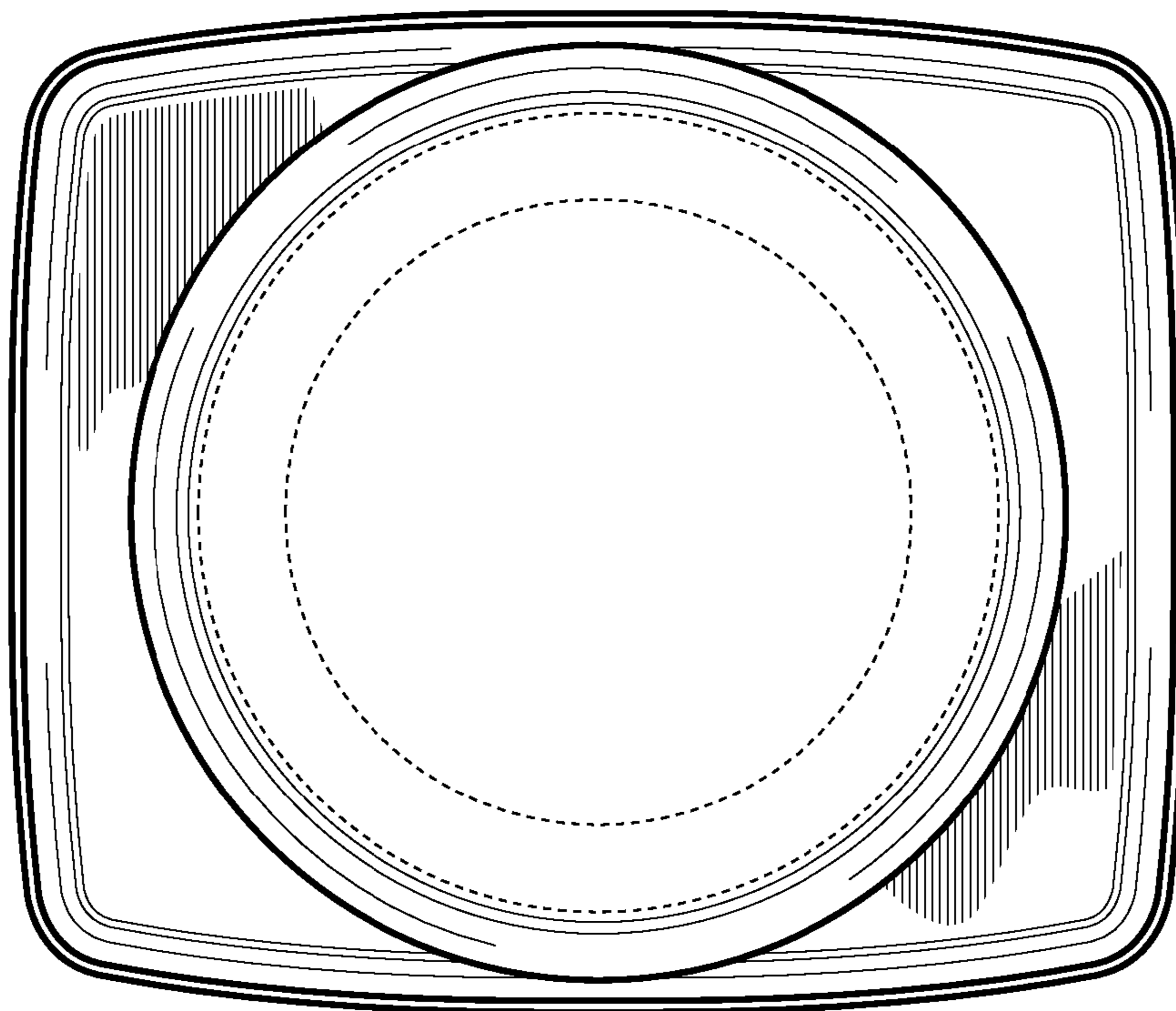


FIG. 7