



US00D595466S

(12) **United States Design Patent**
Sofy et al.

(10) **Patent No.:** **US D595,466 S**
(45) **Date of Patent:** **** Jun. 30, 2009**

(54) **DRAINBOARD**

(75) Inventors: **Janet M. Sofy**, 2400 Oak Ridge Dr.,
Troy, MI (US) 48098; **Michael W.**
Spake, 4504 Parade Willow, El Paso, TX
(US) 79922

(73) Assignees: **Janet M. Sofy**, Troy, MI (US); **Michael**
W. Spake, El Paso, TX (US)

(**) Term: **14 Years**

(21) Appl. No.: **29/306,273**

(22) Filed: **Apr. 4, 2008**

(51) **LOC (9) Cl.** **07-05**

(52) **U.S. Cl.** **D32/56**

(58) **Field of Classification Search** D32/55-58;
D6/536; 211/41.4, 85.25; 4/656-657, 581;
312/228-229; 220/487, 571-572
See application file for complete search history.

(56) **References Cited**

U.S. PATENT DOCUMENTS

- 1,224,838 A * 5/1917 Blissman et al. 211/72
- 2,443,404 A * 6/1948 Tallarico 211/41.4
- D196,169 S * 9/1963 Steinberg D32/56
- 4,169,638 A * 10/1979 Cirusuolo et al. 312/229
- D267,125 S * 11/1982 Luoma D32/56

- D273,904 S * 5/1984 Pacheco D32/56
- 4,480,343 A * 11/1984 Drach 4/656
- D288,375 S * 2/1987 Okami D32/56
- D288,734 S * 3/1987 Wallace et al. D30/109
- D291,737 S * 9/1987 McDaniel, Sr. D32/56
- D292,134 S * 9/1987 McDaniel, Sr. D32/56
- D344,828 S 3/1994 Adams
- D396,913 S * 8/1998 Forbrich D32/56
- D418,955 S * 1/2000 Hampshire D32/55
- D446,370 S 8/2001 Avila Adikimenakis et al.
- D467,399 S 12/2002 Joseph

* cited by examiner

Primary Examiner—Pamela J Burgess

(74) *Attorney, Agent, or Firm*—Dickinson Wright PLLC

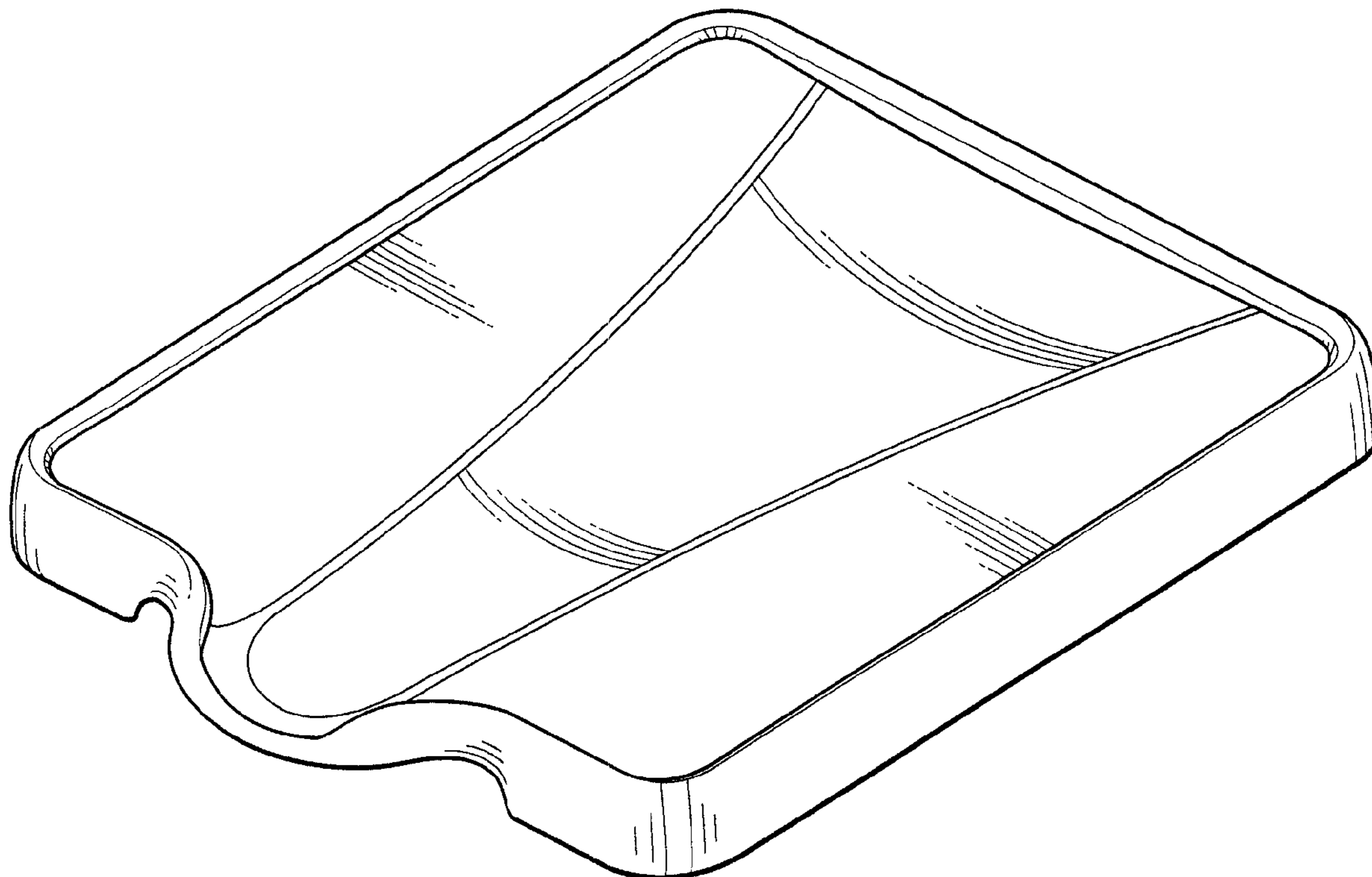
(57) **CLAIM**

We claim the ornamental design for a drainboard, as shown.

DESCRIPTION

FIG. 1 is a perspective view of a drainboard design;
 FIG. 2 is a top view of the drainboard in FIG. 1;
 FIG. 3 is a front view of the drainboard in FIG. 1;
 FIG. 4 is a side view of the drainboard in FIG. 1;
 FIG. 5 is a back view of the drainboard in FIG. 1; and,
 FIG. 6 is a bottom view of the drainboard in FIG. 1.

1 Claim, 4 Drawing Sheets



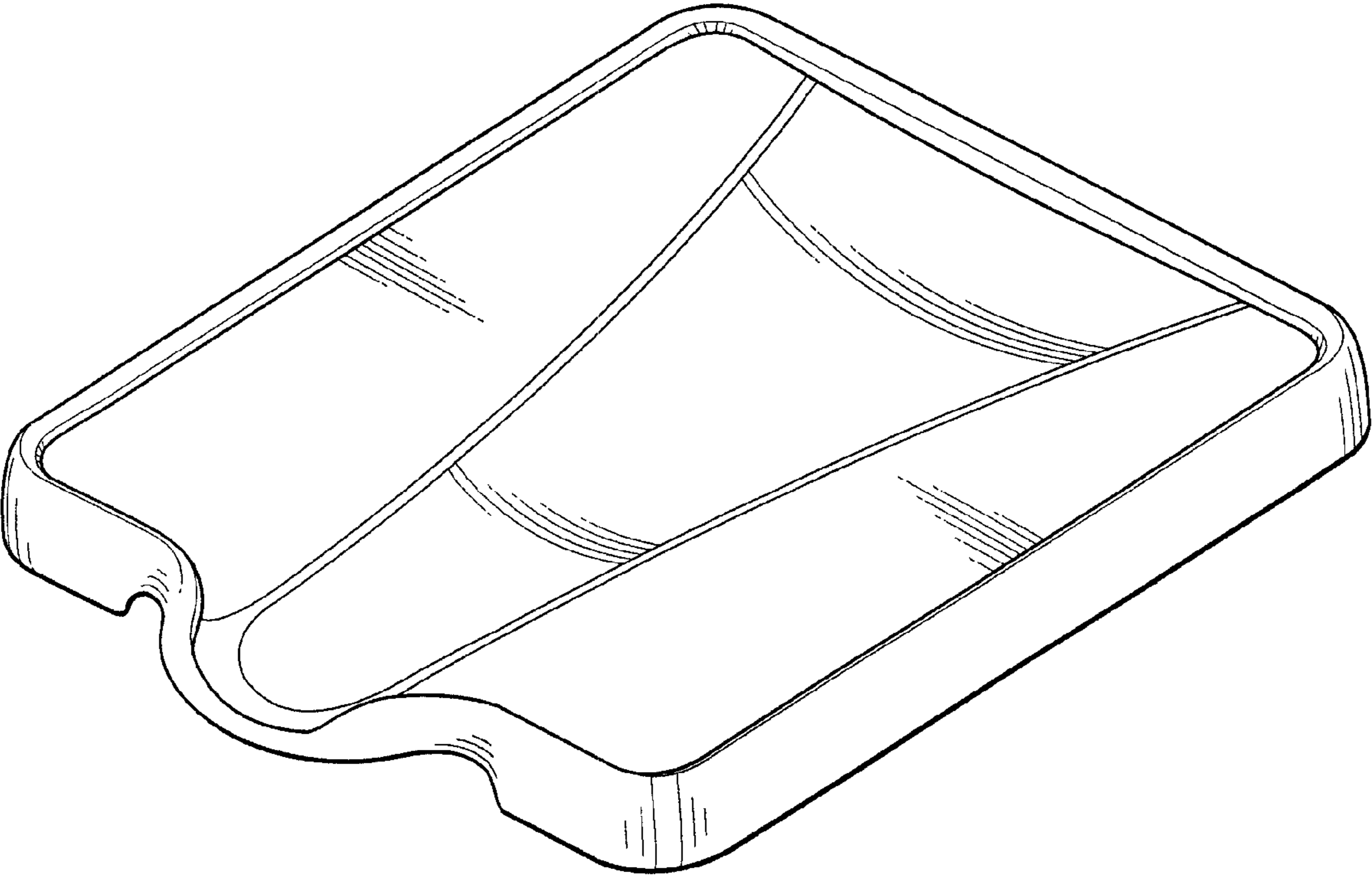


FIG - 1

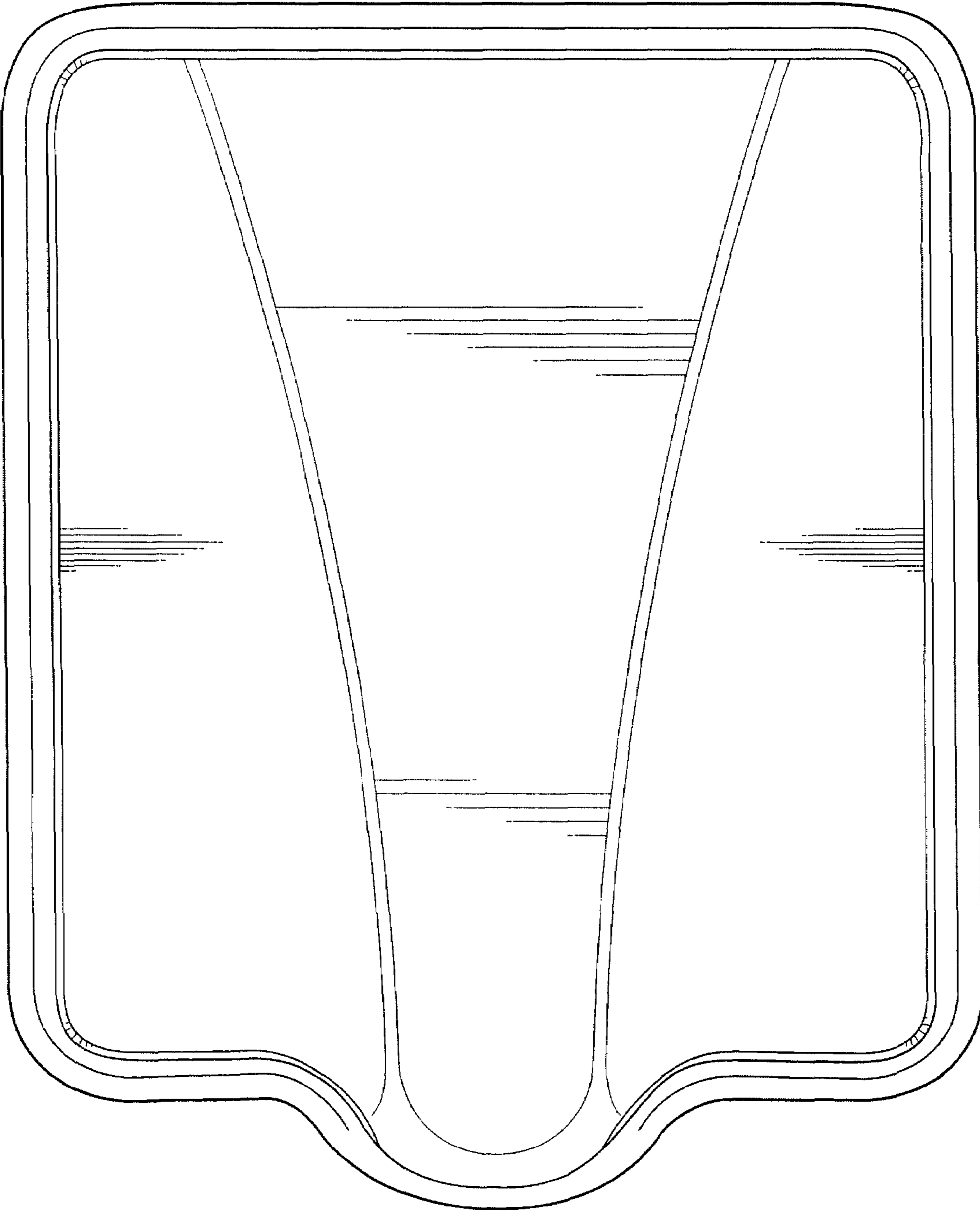


FIG - 2

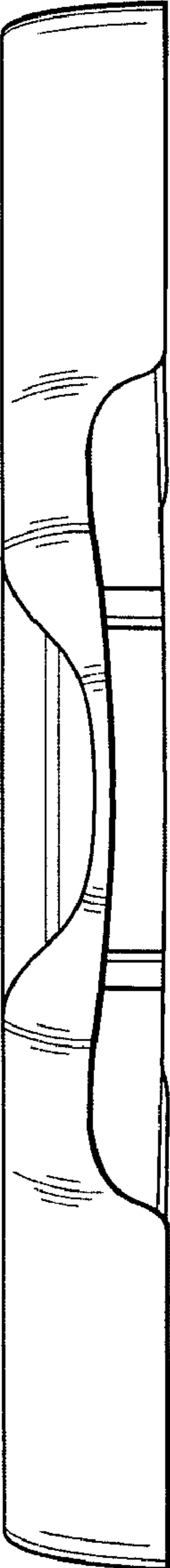


FIG - 3



FIG - 4

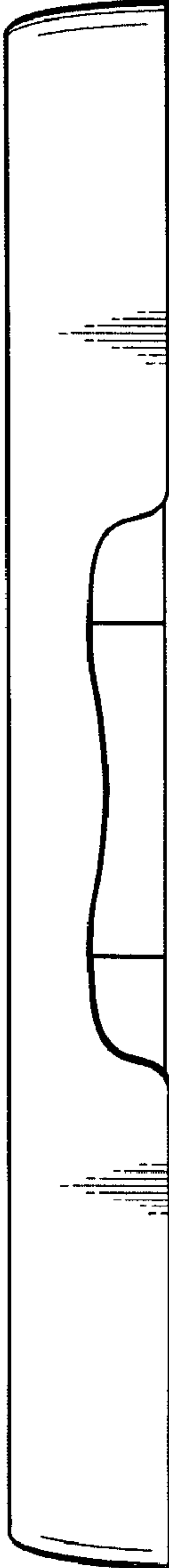


FIG - 5

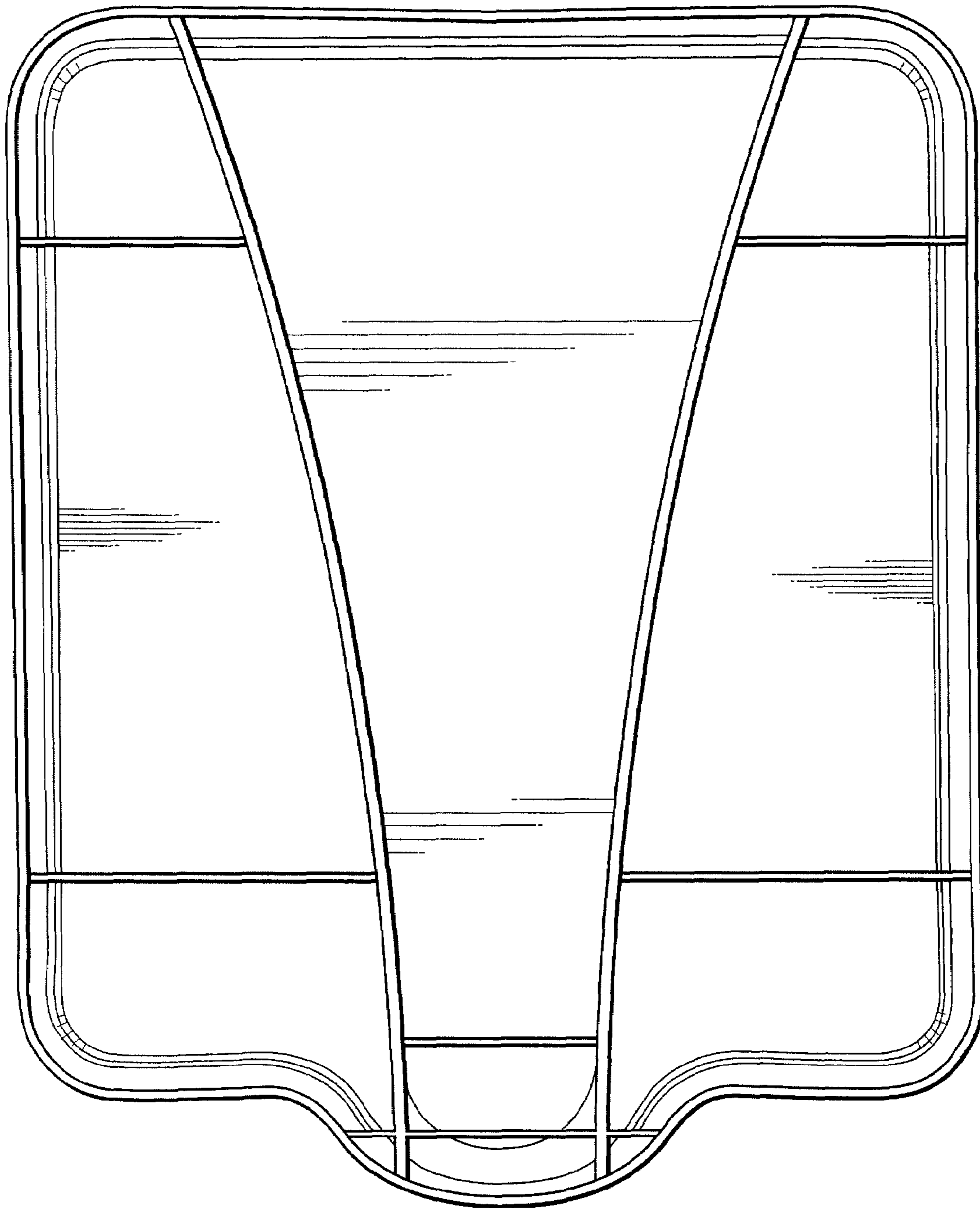


FIG - 6