



US00D595464S

(12) **United States Design Patent**
Nam et al.

(10) **Patent No.:** **US D595,464 S**
(45) **Date of Patent:** **** Jun. 30, 2009**

(54) **DRAWER FOR DRUM-TYPE WASHING MACHINE**

(75) Inventors: **Yeon Young Nam**, Kyunggi-do (KR);
Hee Jae Jeong, Seoul (KR); **Hyung Jun Kim**,
Kyunggi-do (KR); **Sei Ill Jeon**,
Kyunggi-do (KR)

(73) Assignee: **Samsung Electronics Co., Ltd.**, Suwon
(KR)

(**) Term: **14 Years**

(21) Appl. No.: **29/321,919**

(22) Filed: **Jul. 25, 2008**

(51) **LOC (9) Cl.** **15-05**

(52) **U.S. Cl.** **D32/25**

(58) **Field of Classification Search** D32/1,
D32/2, 3, 25, 30, 5, 6, 8, 9, 10, 29.1; 134/56 D,
134/57 D, 58 DL; 312/109; D9/432; 68/139,
68/213

See application file for complete search history.

(56) **References Cited**

U.S. PATENT DOCUMENTS

- D308,486 S * 6/1990 Willson D9/432
- D393,333 S * 4/1998 Kibler et al. D32/3
- D481,178 S * 10/2003 Wendt et al. D32/3
- 2007/0163307 A1 * 7/2007 Kramme et al. 68/17 R

* cited by examiner

Primary Examiner—T. Chase Nelson
Assistant Examiner—Kathleen M Sims
(74) *Attorney, Agent, or Firm*—Ladas and Parry LLP

(57) **CLAIM**

We claim the ornamental design for drawer for drum-type washing machine, as shown and described.

DESCRIPTION

FIG. 1 is a front/right-side/top perspective view of a drawer for drum-type washing machine showing our new design;

FIG. 2 is a front-side elevational view thereof;

FIG. 3 is a rear-side elevational view thereof;

FIG. 4 is a left-side elevational view thereof;

FIG. 5 is a right-side elevational view thereof;

FIG. 6 is a top-side elevational view thereof;

FIG. 7 is a bottom-side elevational view thereof; and,

FIG. 8 is a front, right, top perspective view thereof showing the drawer in the drum-type washing machine.

The broken line showing of a detail of the drawer in FIG. 7 and a washing machine and drawer in FIG. 8 is included for the purpose of showing environmental portions of the drawer for drum-type washing machine and forms no part of the claimed design.

1 Claim, 6 Drawing Sheets

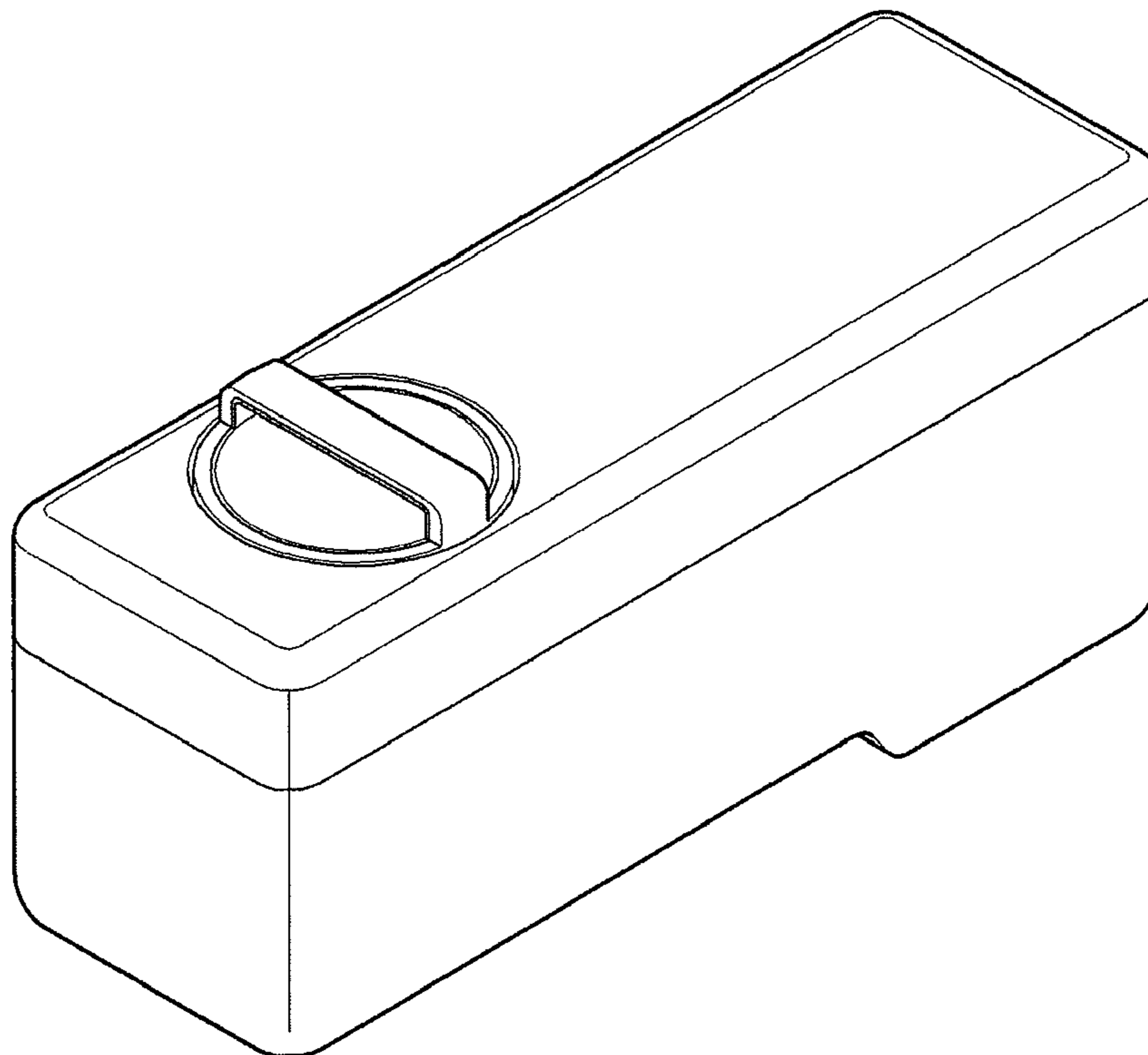


FIG. 1

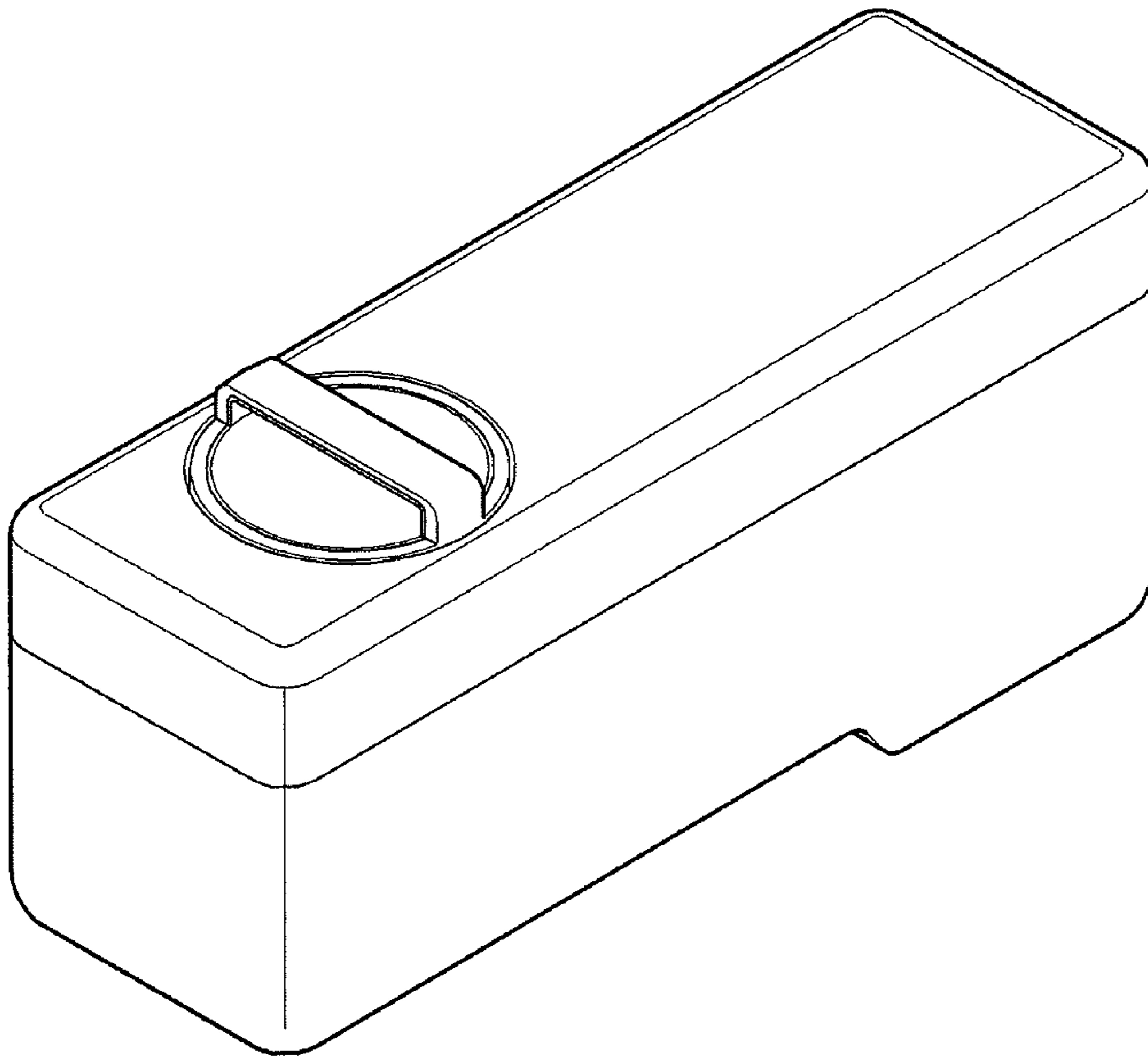


FIG. 2

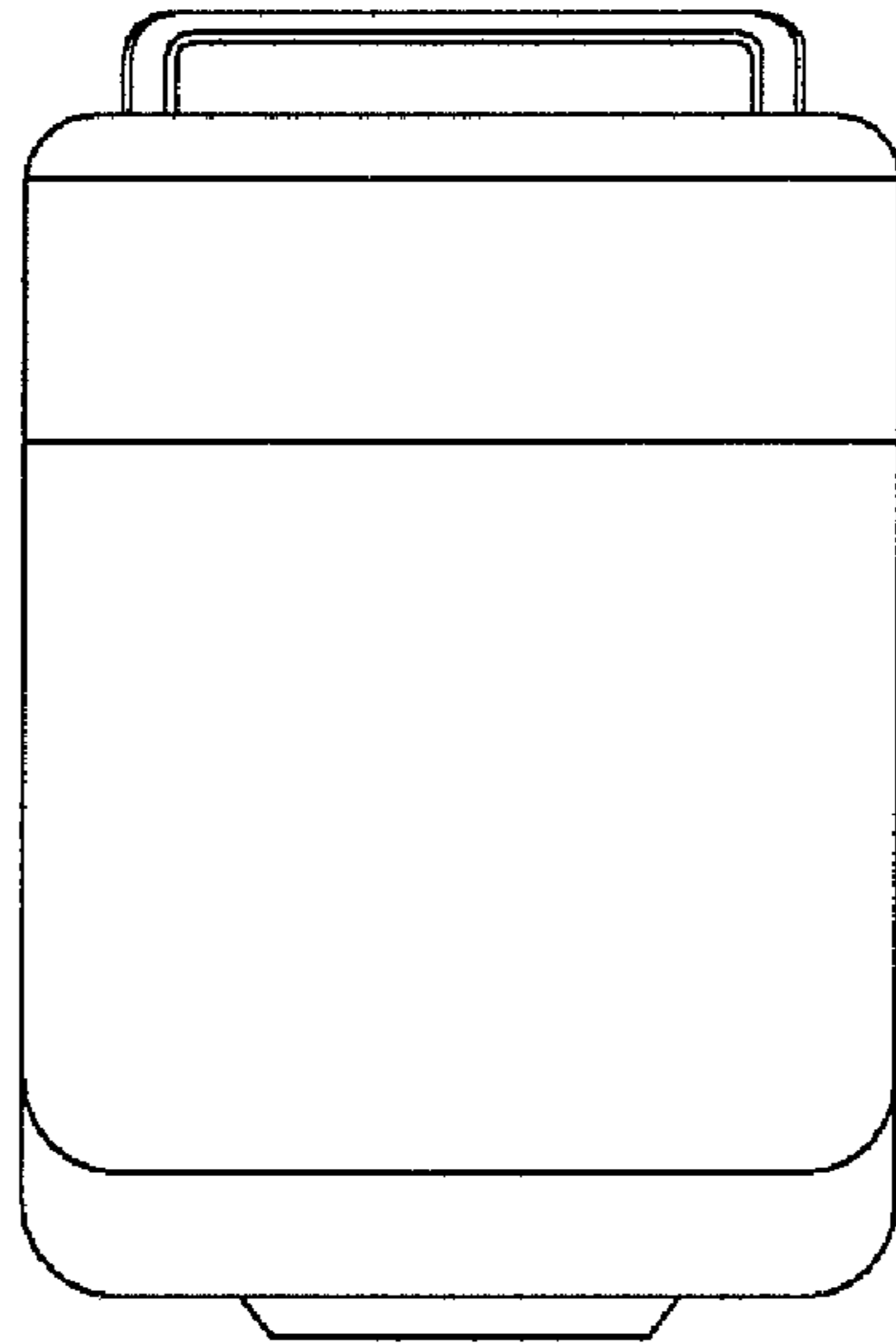


FIG. 3

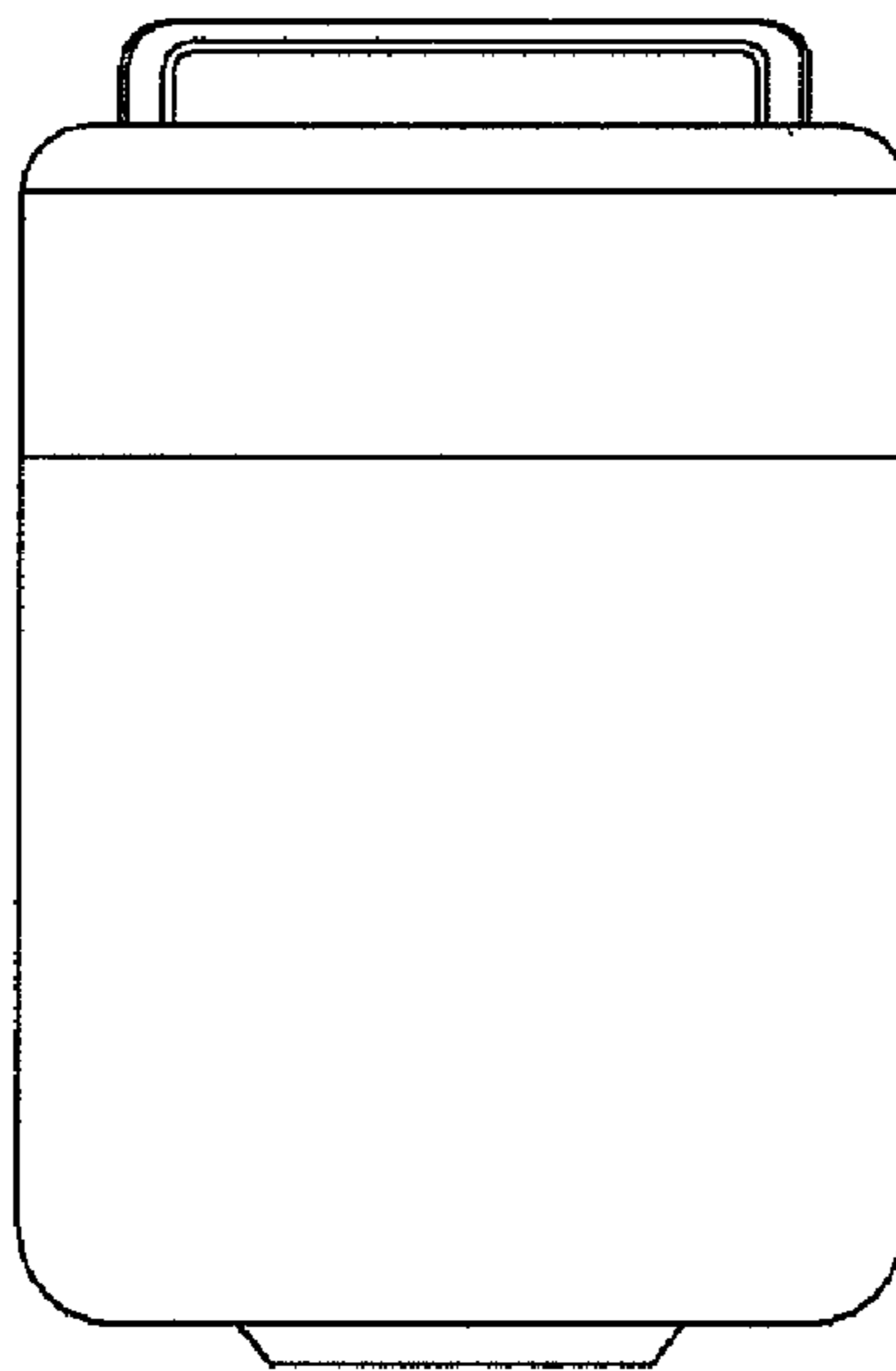


FIG. 4

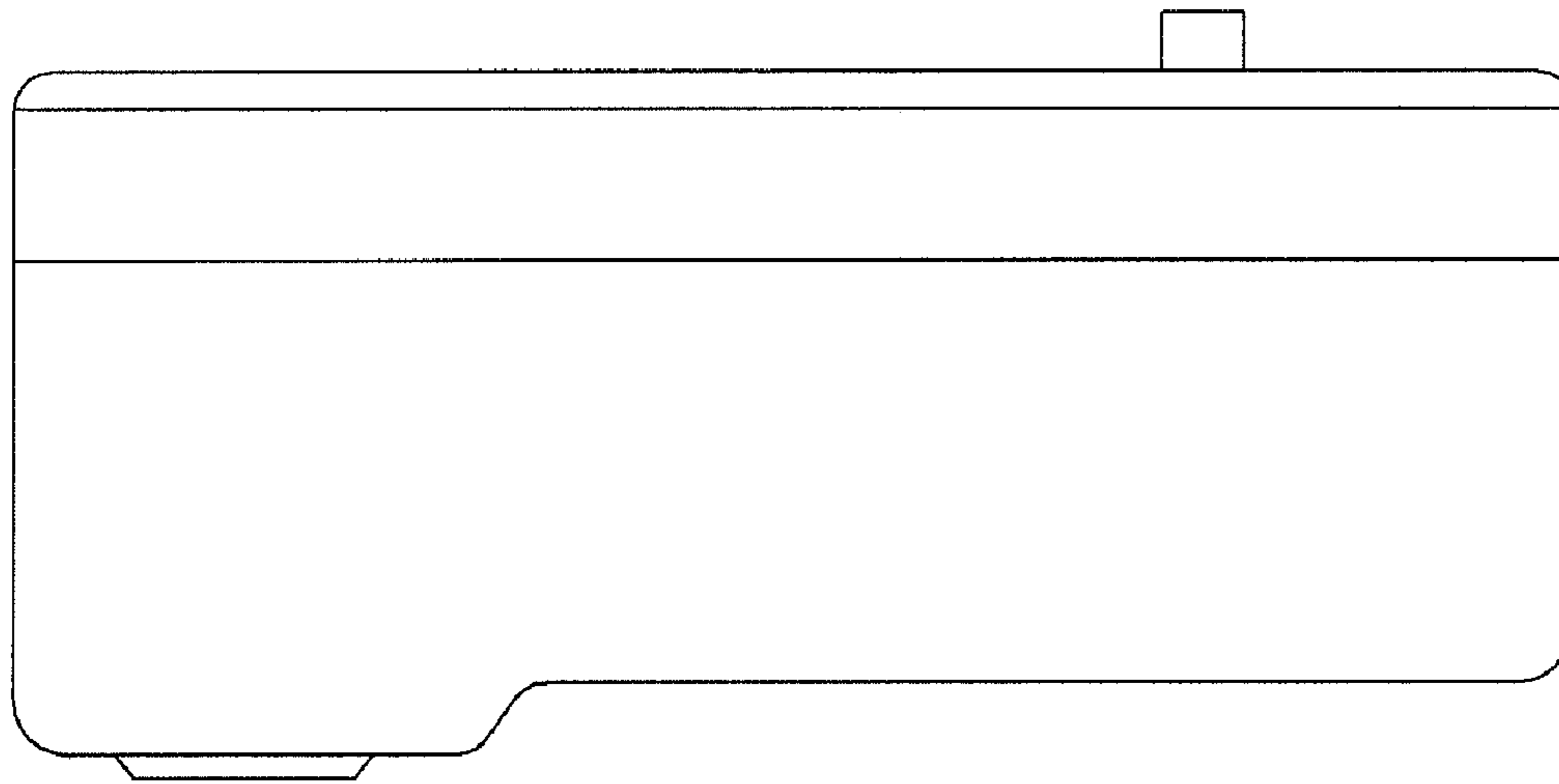


FIG. 5

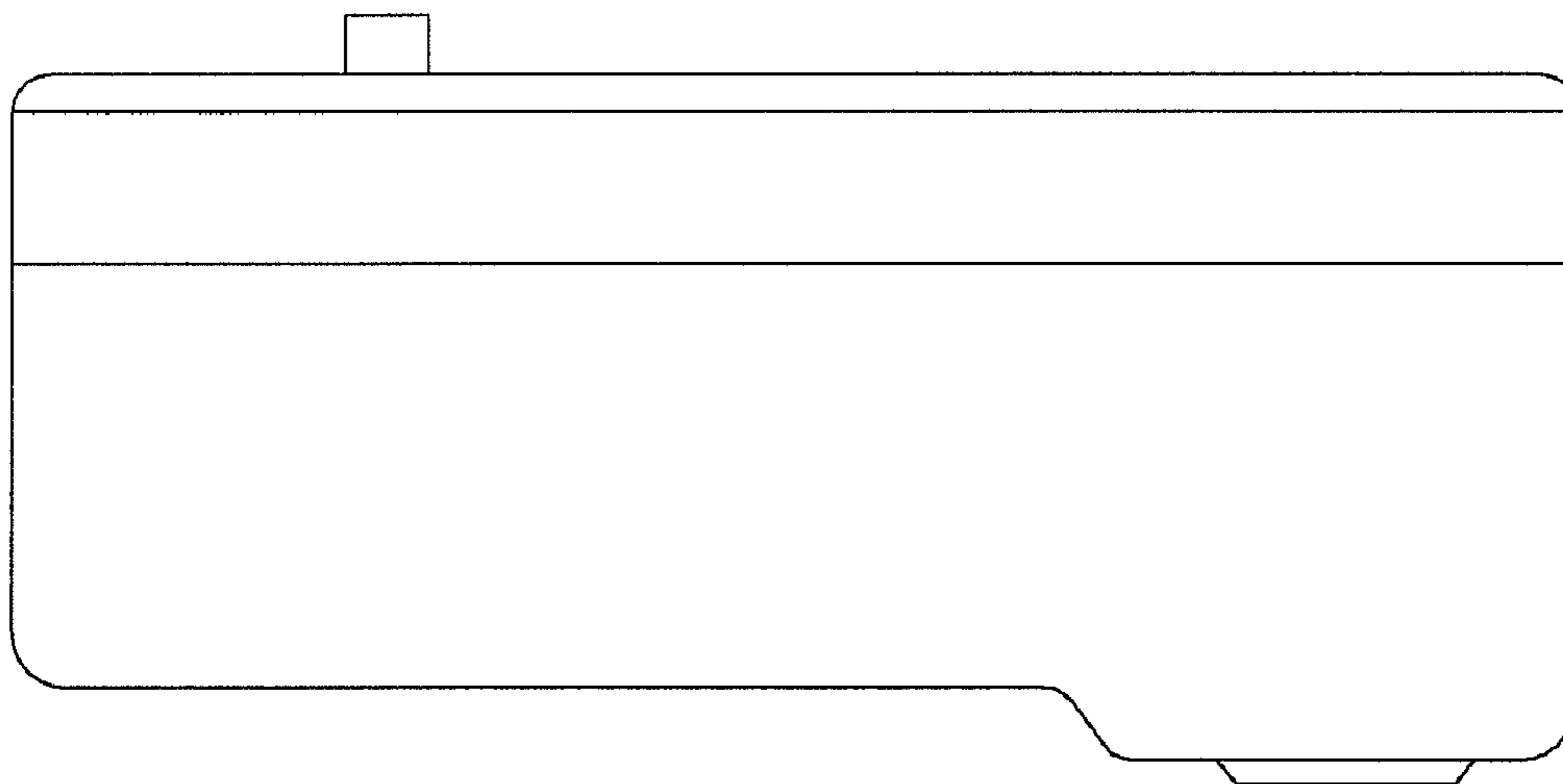


FIG. 6

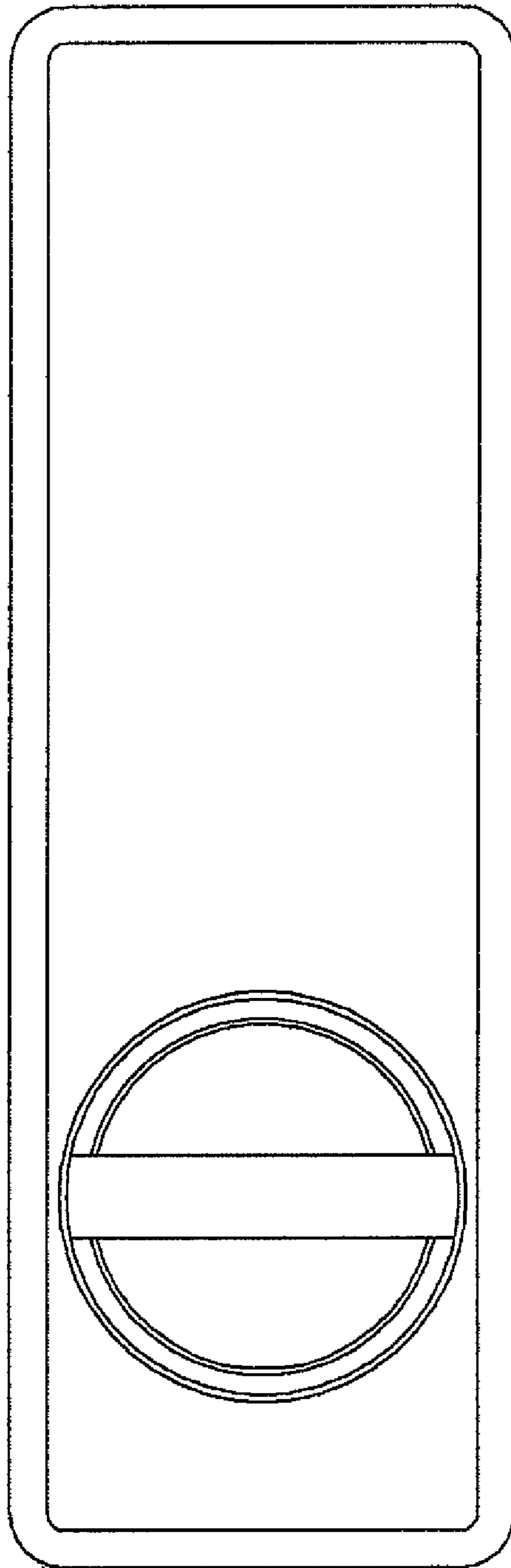


FIG. 7

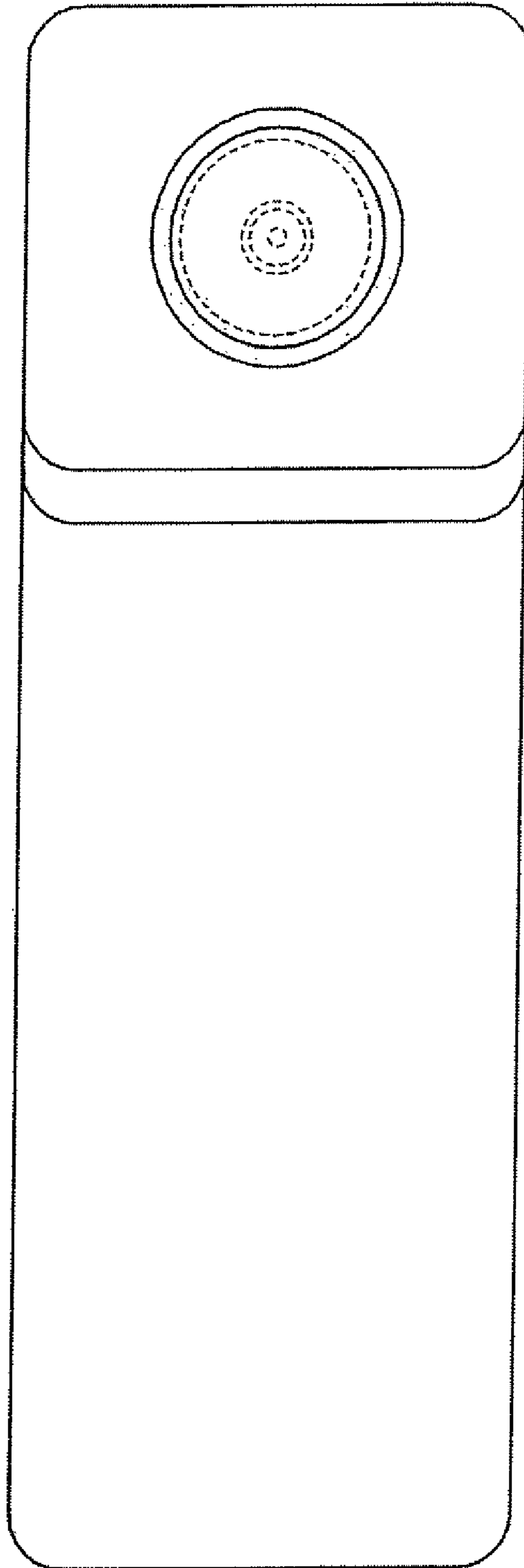


FIG. 8

