

US00D595463S

(12) **United States Design Patent**  
**Tirone et al.**

(10) **Patent No.:** **US D595,463 S**  
(45) **Date of Patent:** **\*\* Jun. 30, 2009**

(54) **CORDLESS HAND-HELD VACUUM**

2007/0022563 A1\* 2/2007 Wu ..... 15/344

(75) Inventors: **James C. Tirone**, Baltimore, MD (US);  
**Weston J. Van Wambeke**, Towson, MD (US)

FOREIGN PATENT DOCUMENTS

|    |         |        |
|----|---------|--------|
| GB | 2440107 | 1/2008 |
| GB | 2440109 | 1/2008 |
| GB | 2440110 | 1/2008 |
| GB | 2440111 | 1/2008 |
| GB | 2440126 | 1/2008 |
| GB | 2441962 | 3/2008 |
| GB | 2442033 | 3/2008 |

(73) Assignee: **Black & Decker Inc.**, Newark, DE (US)

(\*\*) Term: **14 Years**

\* cited by examiner

(21) Appl. No.: **29/328,048**

(22) Filed: **Nov. 18, 2008**

*Primary Examiner*—Ruth McInroy

(51) **LOC (9) Cl.** ..... **15-05**

(74) *Attorney, Agent, or Firm*—John Yun; Bruce S. Shapiro; Wesley Muller

(52) **U.S. Cl.** ..... **D32/18**

(58) **Field of Classification Search** ..... D32/17–18,  
D32/21, 31; 15/344, 329, 320–322, 415.1–422.1,  
15/414, 327.5, 398, 400  
See application file for complete search history.

(57) **CLAIM**

The ornamental design for a cordless hand-held vacuum, as shown and described.

(56) **References Cited**

**DESCRIPTION**

U.S. PATENT DOCUMENTS

|              |         |                  |        |
|--------------|---------|------------------|--------|
| D279,319 S   | 6/1985  | McCloskey et al. |        |
| D431,697 S   | 10/2000 | Hayakawa et al.  |        |
| D445,972 S   | 7/2001  | Doria            |        |
| D448,894 S * | 10/2001 | Yuen             | D32/18 |
| D480,845 S * | 10/2003 | Ki               | D32/18 |
| D489,533 S * | 5/2004  | Yost et al.      | D4/106 |
| D489,849 S * | 5/2004  | Ki               | D32/18 |
| 6,735,813 B2 | 5/2004  | Oohama           |        |
| D509,931 S * | 9/2005  | Ma               | D32/18 |
| D515,258 S * | 2/2006  | Robson           | D32/18 |
| D528,253 S   | 9/2006  | Wu et al.        |        |
| D552,309 S   | 10/2007 | Houghton         |        |
| D556,395 S   | 11/2007 | Martin et al.    |        |
| D569,061 S   | 5/2008  | Nardone          |        |
| 7,370,387 B2 | 5/2008  | Walker et al.    |        |

FIG. 1 is a front perspective view of a cordless hand-held vacuum showing our new design;

FIG. 2 is a right side view thereof;

FIG. 3 is a left side view thereof;

FIG. 4 is a top view thereof;

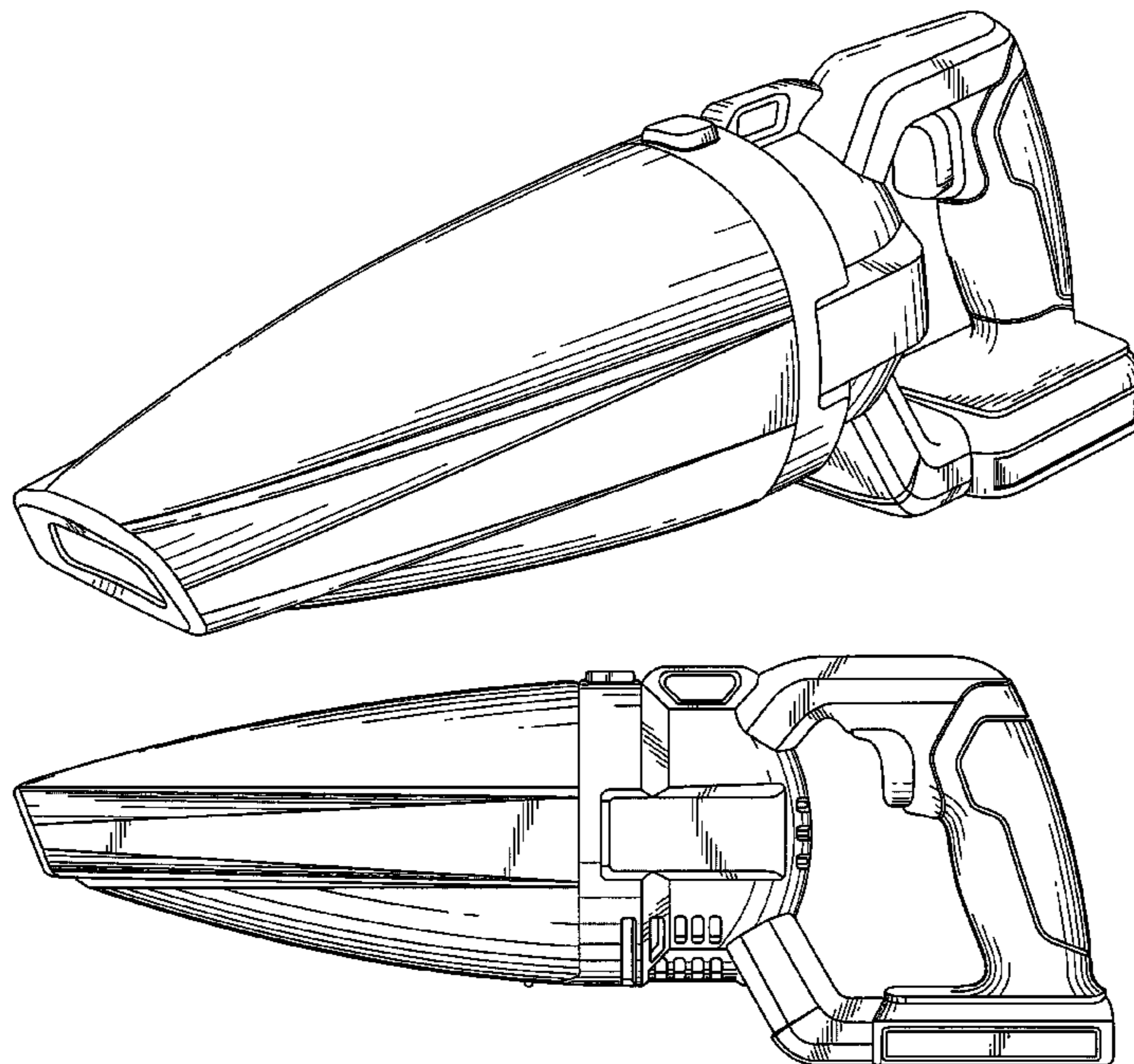
FIG. 5 is a bottom view thereof;

FIG. 6 is a front view thereof; and,

FIG. 7 is a rear view thereof.

The broken lines in the figures merely illustrate the environment for the cordless hand-held vacuum of the present design and therefore form no part of the claimed design.

**1 Claim, 7 Drawing Sheets**



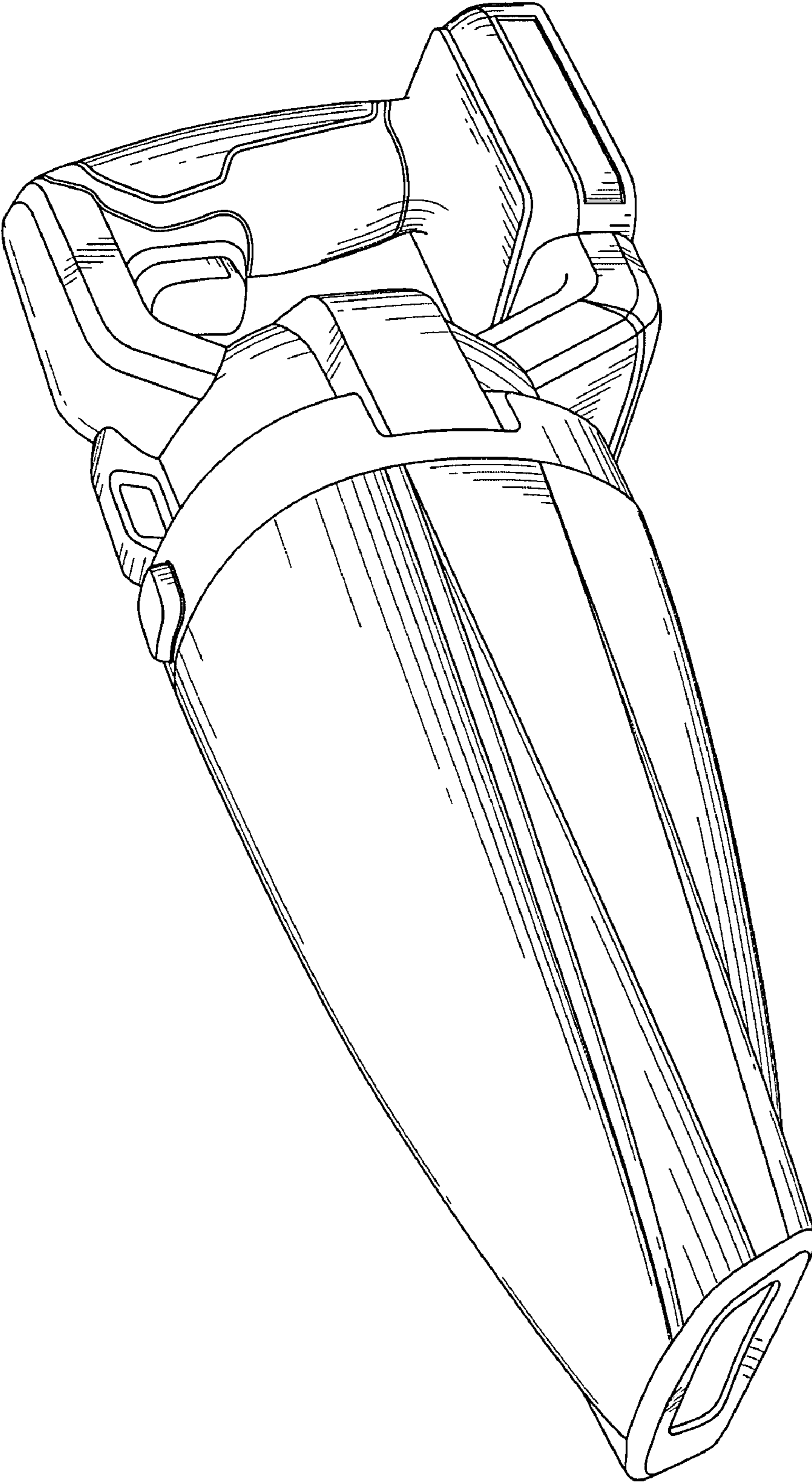


Fig. 1

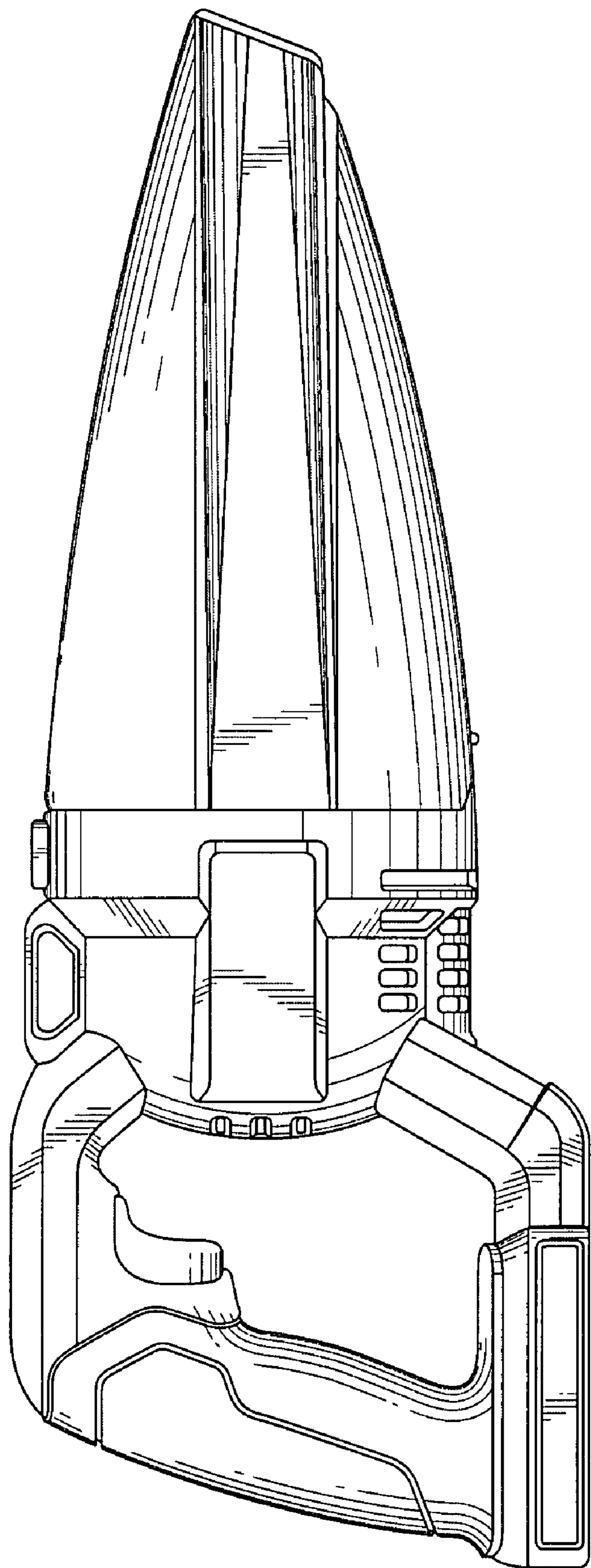


Fig. 2

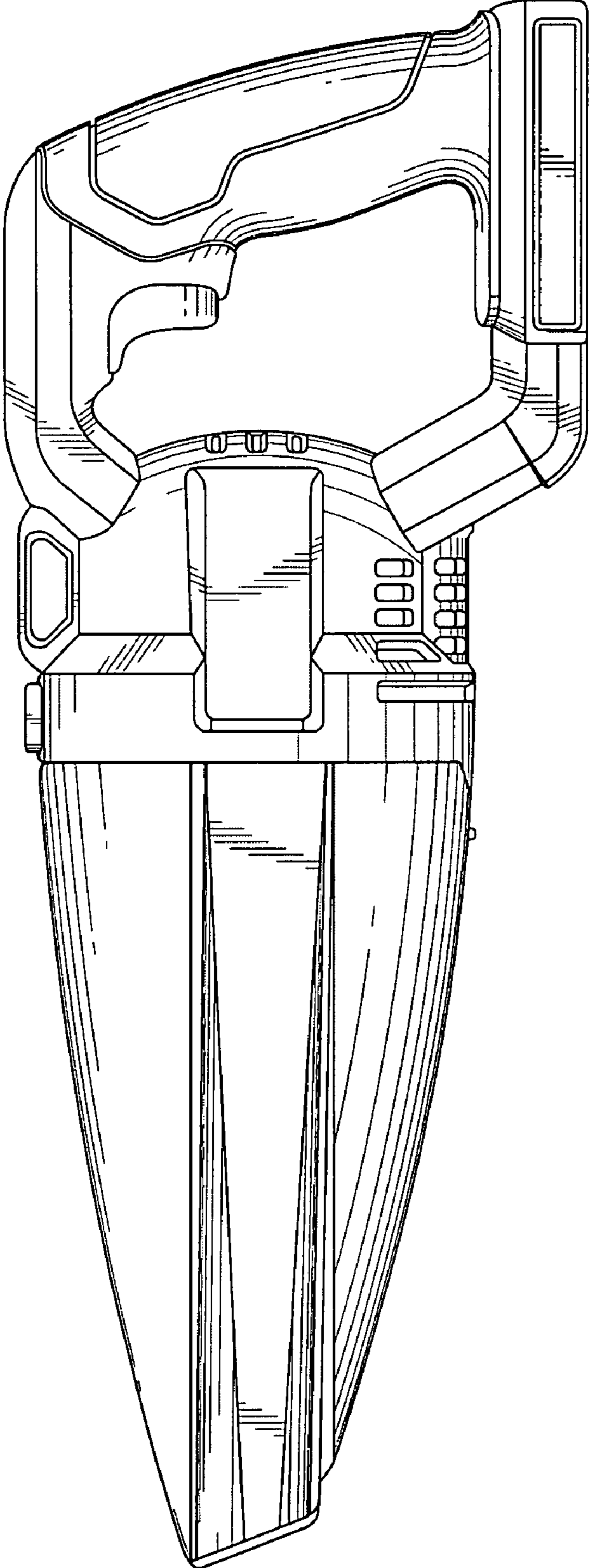


Fig. 3

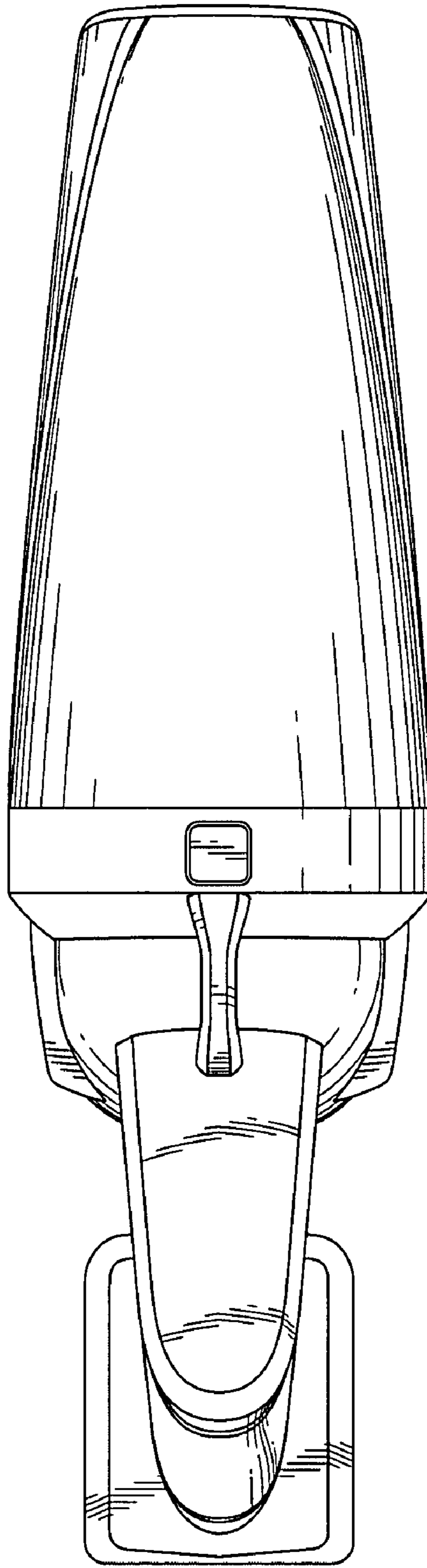


Fig. 4

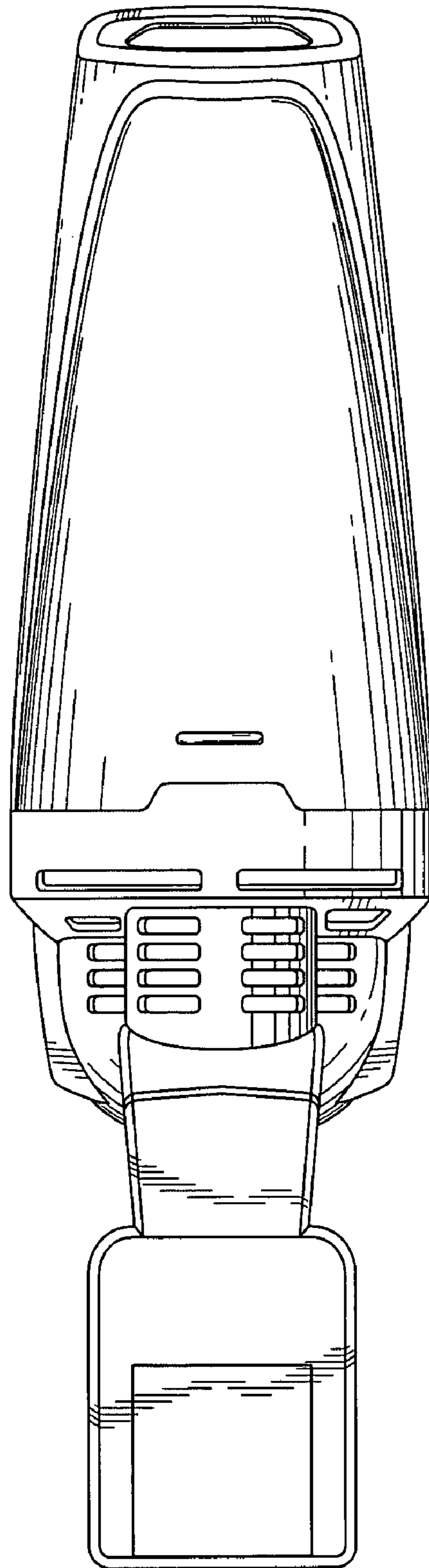


Fig. 5

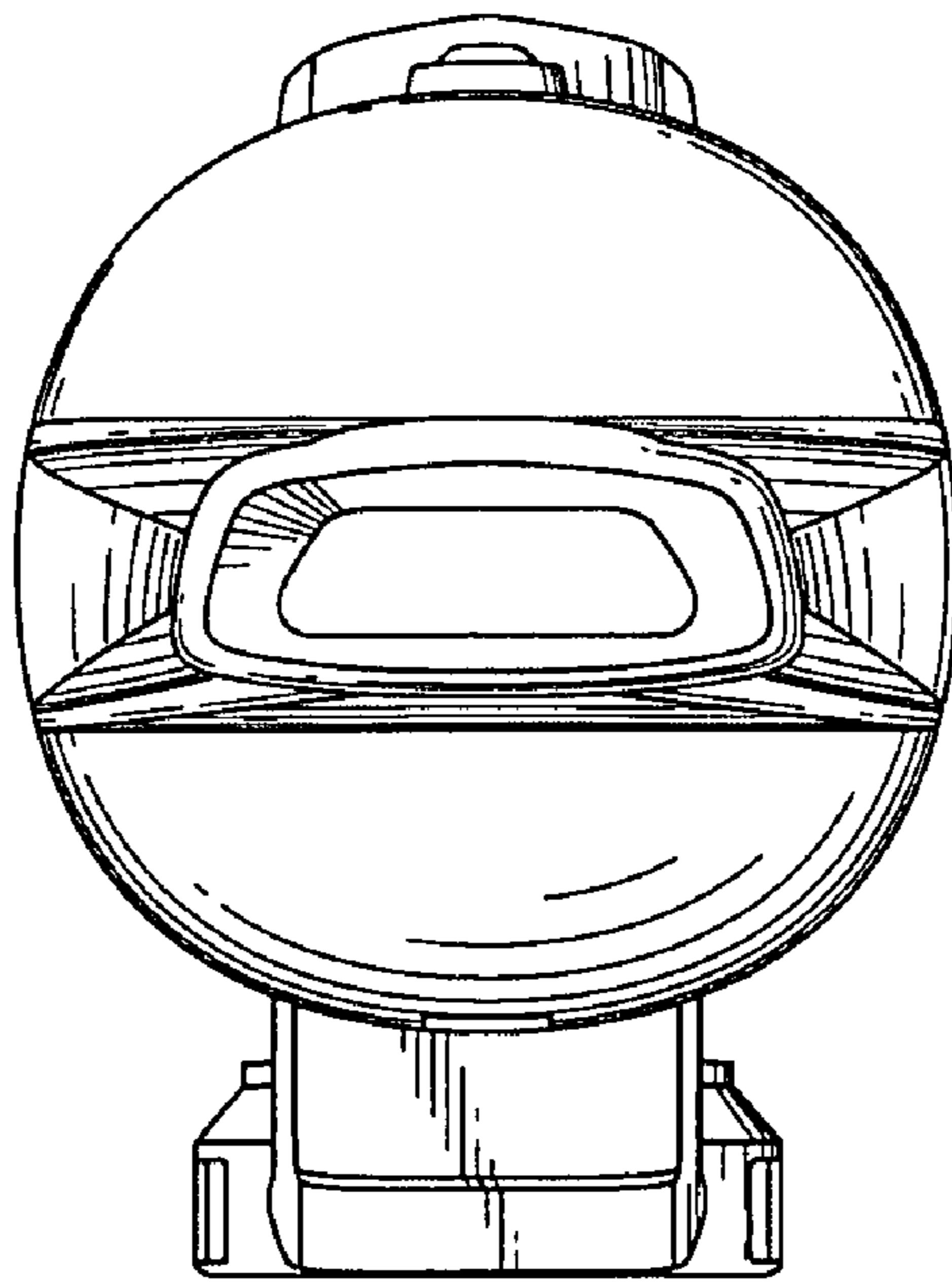


Fig. 6

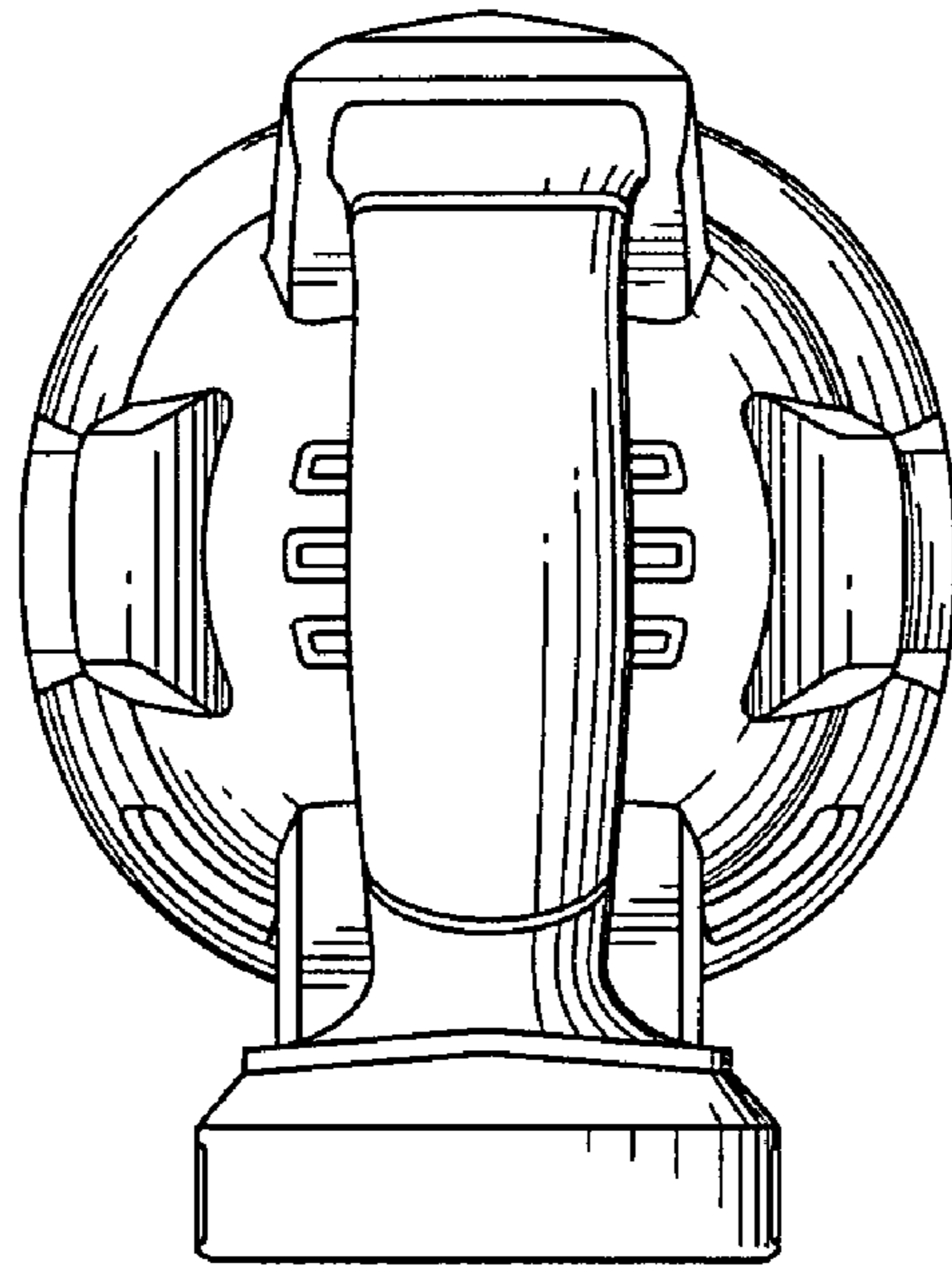


Fig. 7