



US00D595455S

(12) **United States Design Patent**  
**Nagasaki**

(10) **Patent No.:** **US D595,455 S**

(45) **Date of Patent:** **\*\* Jun. 30, 2009**

(54) **COMPACT CASE**

(75) Inventor: **Yuka Nagasaki**, Tokyo (JP)

(73) Assignee: **Shiseido Co., Ltd.**, Tokyo (JP)

(\*\*) Term: **14 Years**

(21) Appl. No.: **29/311,322**

(22) Filed: **Feb. 19, 2009**

(51) **LOC (9) Cl.** ..... **28-03**

(52) **U.S. Cl.** ..... **D28/83**

(58) **Field of Classification Search** ..... D28/76-84,  
D28/64.3; D9/432; 132/286-319; 206/385,  
206/581, 823

See application file for complete search history.

(56) **References Cited**

**U.S. PATENT DOCUMENTS**

- D396,004 S \* 7/1998 Srinual ..... D9/432
- D438,675 S \* 3/2001 Nahum-Albright ..... D28/83
- D505,517 S \* 5/2005 Baresi et al. .... D28/83
- D517,734 S \* 3/2006 Shen ..... D28/78

- D518,603 S \* 4/2006 Dittmer et al. .... D28/83
- D579,153 S \* 10/2008 Lee ..... D28/83

\* cited by examiner

*Primary Examiner*—Jennifer Rivard

(74) *Attorney, Agent, or Firm*—Manabu Kanesaka

(57) **CLAIM**

The ornamental design for a compact case, as shown and described.

**DESCRIPTION**

FIG. 1 is a perspective view of a compact case showing my new design;

FIG. 2 is a front view thereof;

FIG. 3 is a rear view thereof;

FIG. 4 is a plan view thereof;

FIG. 5 is a bottom view thereof; and,

FIG. 6 is a right side view thereof, a left side view being symmetrical to the right side view.

**1 Claim, 3 Drawing Sheets**

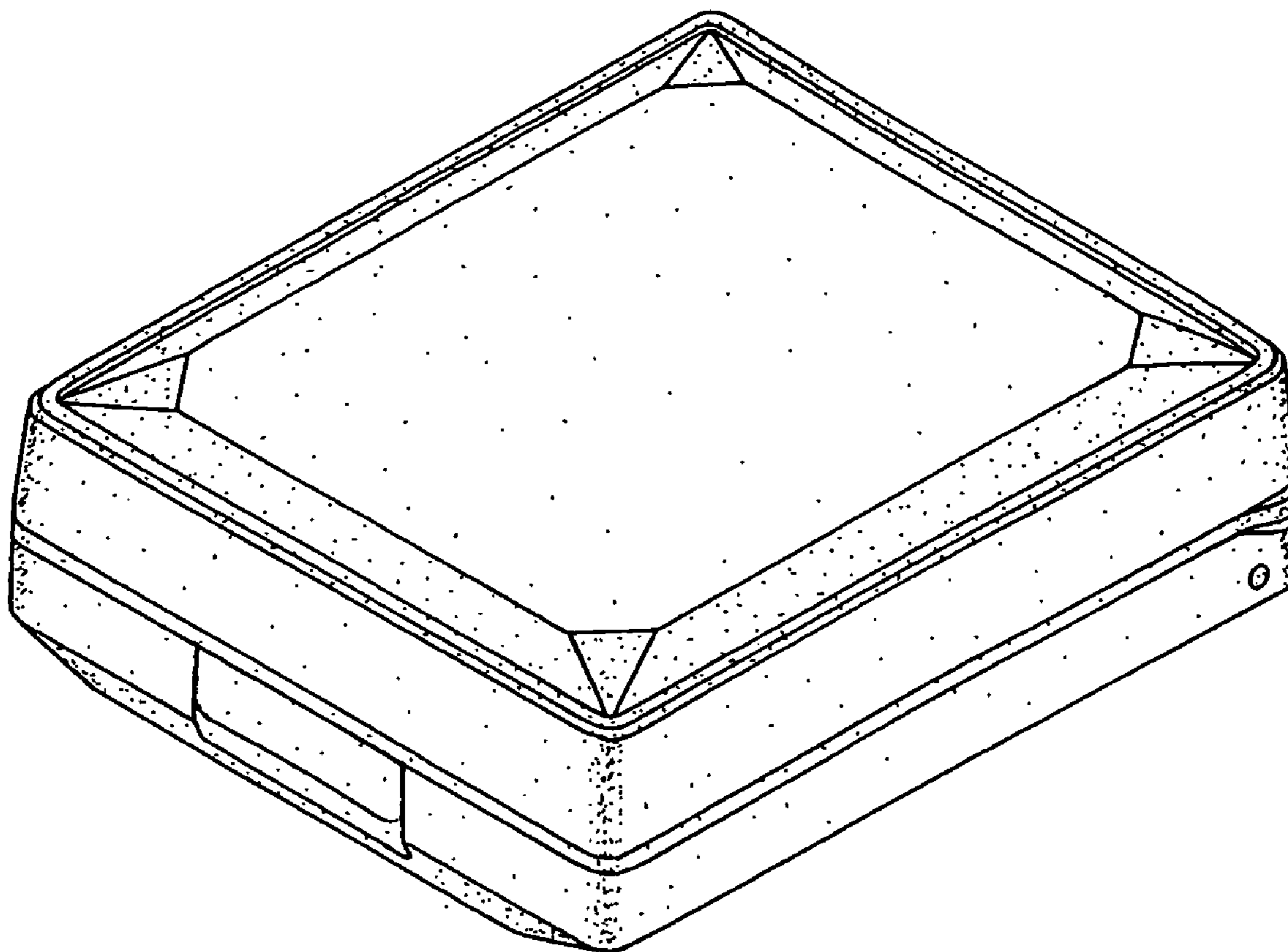


Fig. 1

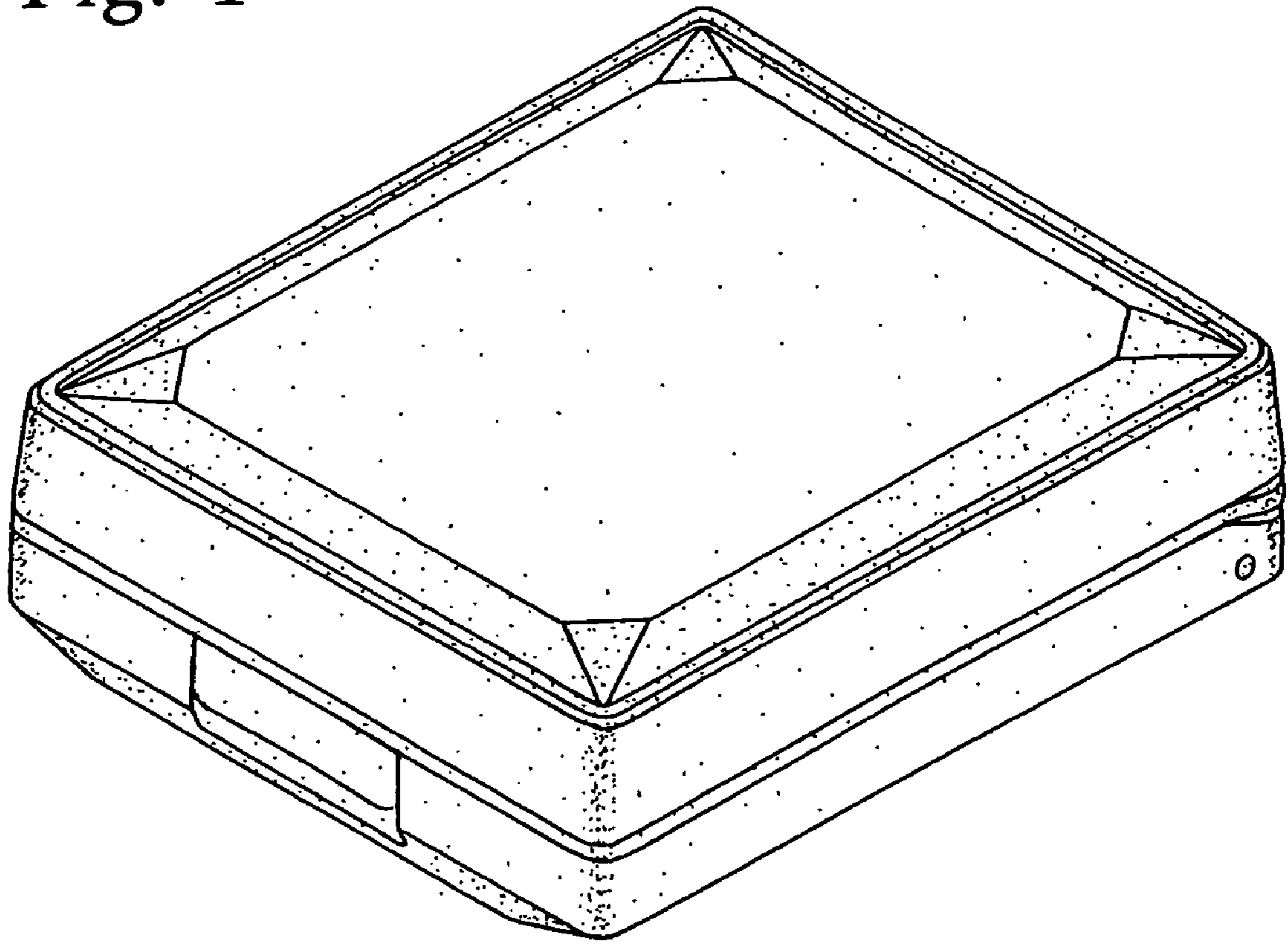


Fig. 2

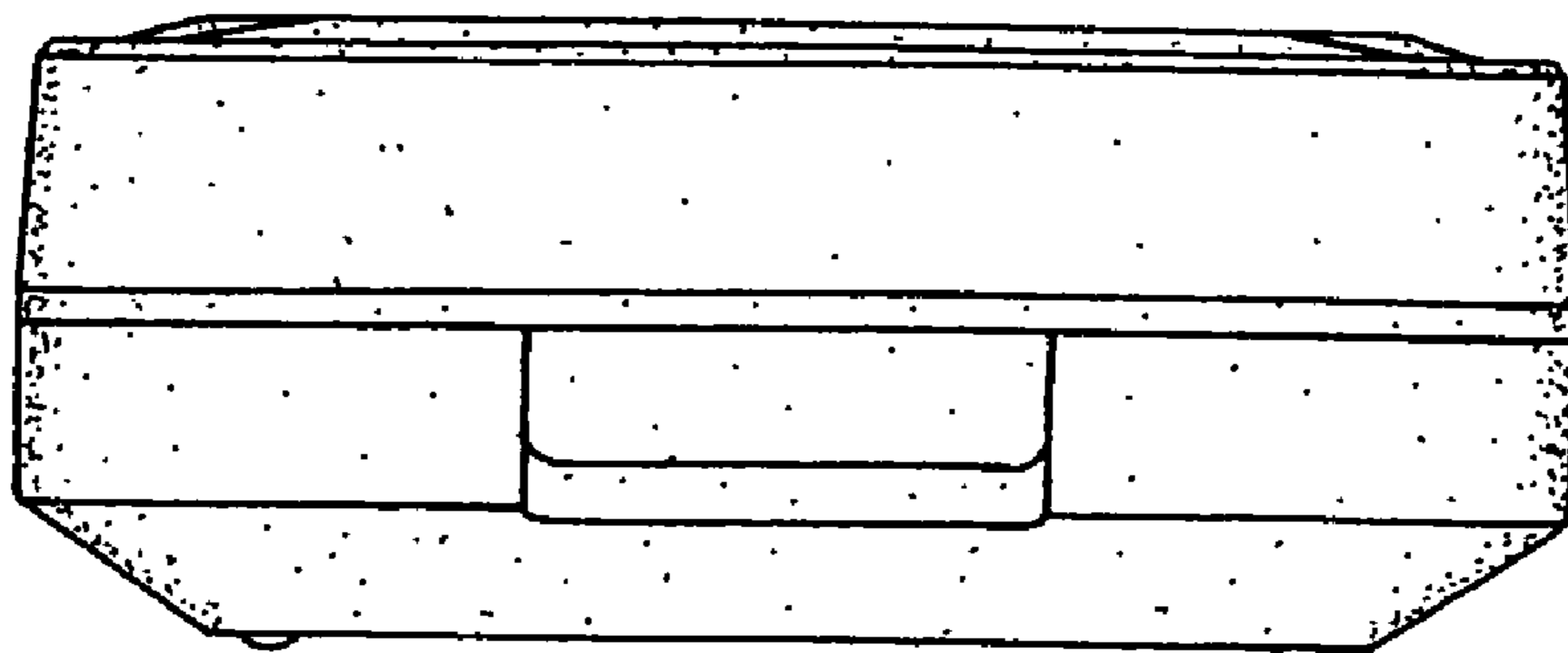


Fig. 3

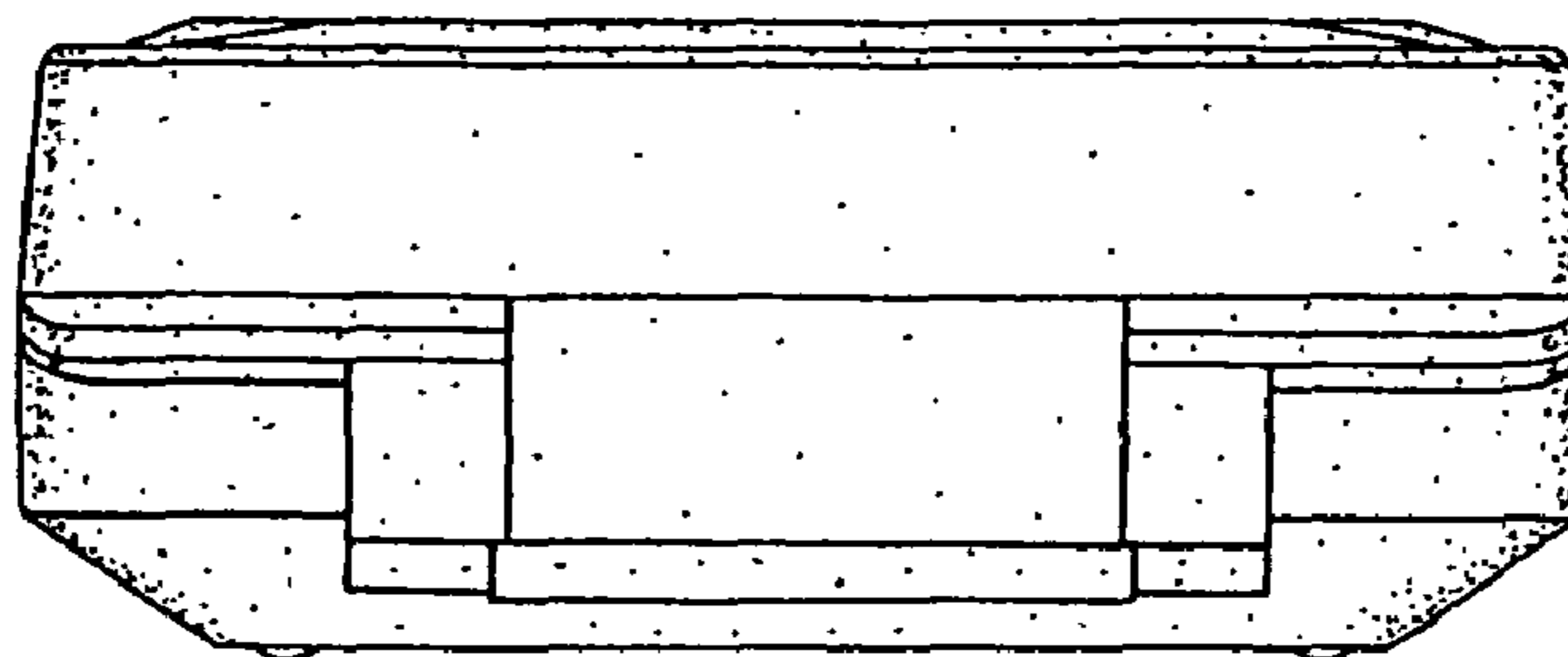


Fig. 4

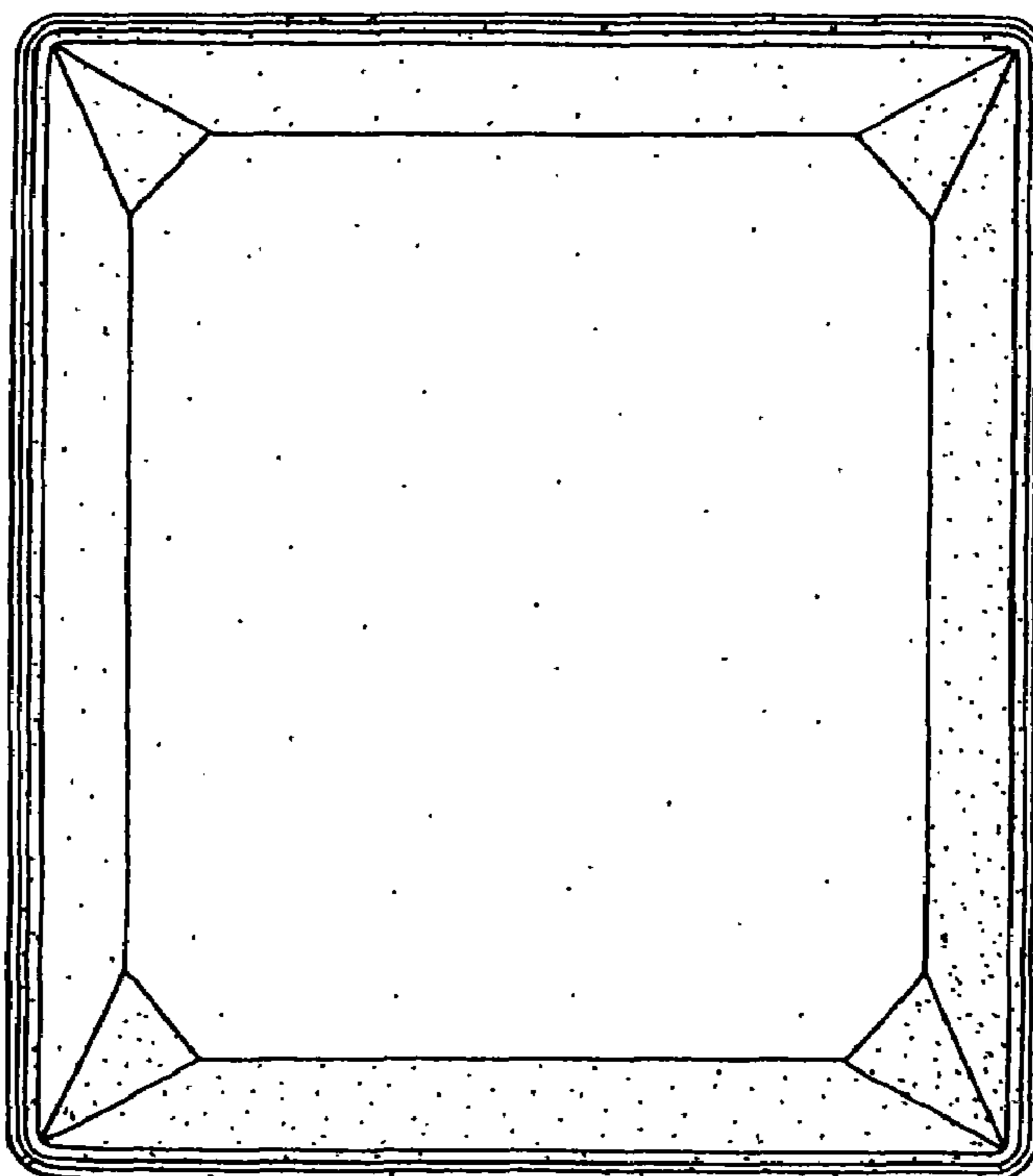


Fig. 5

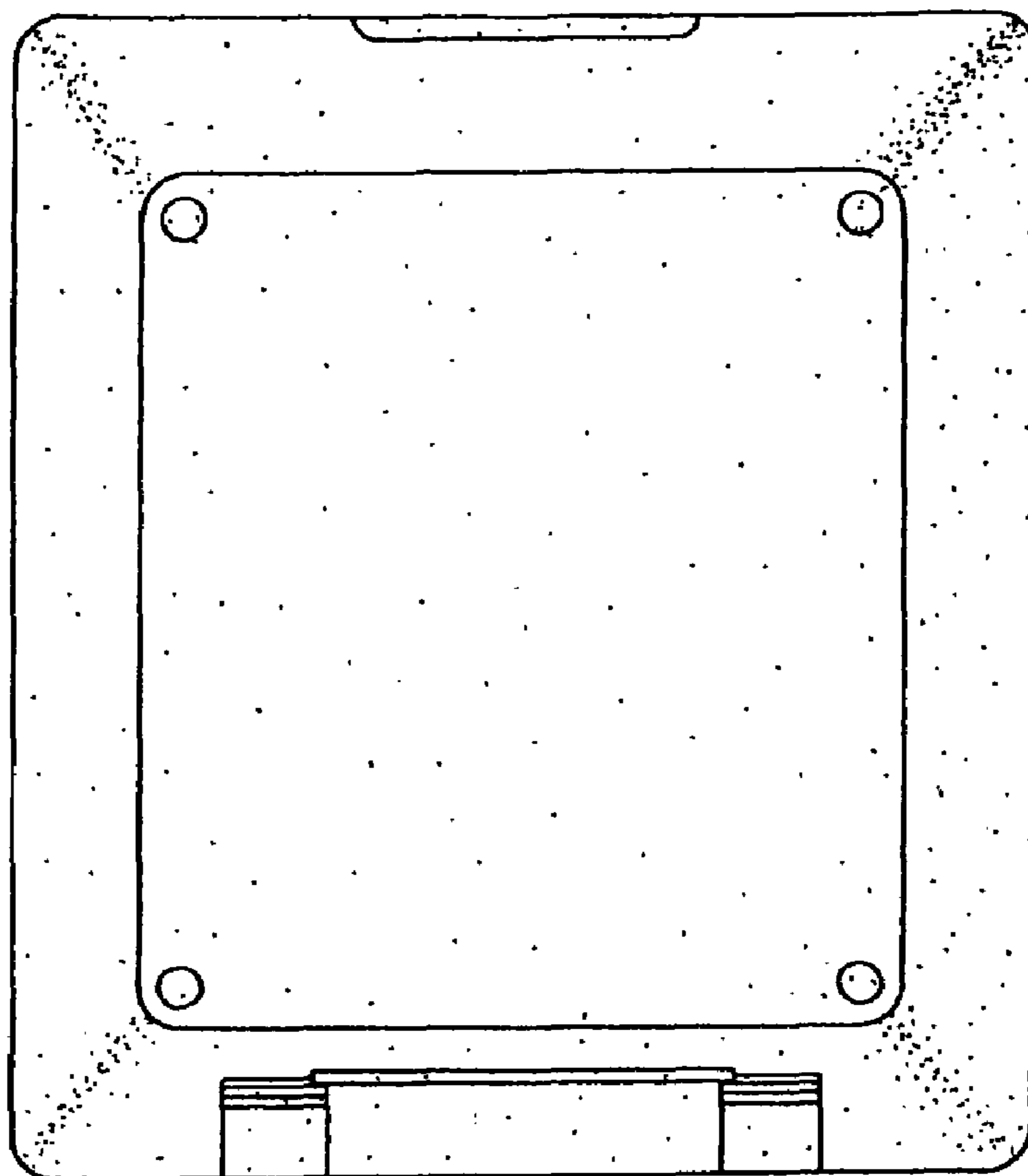


Fig. 6

