



US00D595453S

(12) **United States Design Patent**
Parsons et al.

(10) **Patent No.:** **US D595,453 S**
(45) **Date of Patent:** **** Jun. 30, 2009**

(54) **CIGARETTE PACKAGE**

2,897,958 A 8/1959 Tarleton

(75) Inventors: **Heather No lle Parsons**, Kernersville, NC (US); **William Paul Scott**, Clemmons, NC (US); **Pankaj Patel**, Clemmons, NC (US); **Laya Katina Palmer**, Winston-Salem, NC (US)

(Continued)

OTHER PUBLICATIONS

Office Action, mailed Nov. 28, 2008, for commonly owned U.S. Appl. No. 11/818,948.

Primary Examiner—Jennifer Rivard

(74) *Attorney, Agent, or Firm*—Brinks Hofer Gilson & Lione

(73) Assignee: **R.J. Reynolds Tobacco Company**, Winston-Salem, NC (US)

(**) Term: **14 Years**

(57) **CLAIM**

(21) Appl. No.: **29/304,656**

The ornamental design for a cigarette package, as shown and described.

(22) Filed: **Mar. 5, 2008**

DESCRIPTION

Related U.S. Application Data

FIG. 1 is a front, top perspective view of the first embodiment of the cigarette package with an open bottom;

(63) Continuation of application No. 11/818,948, filed on Oct. 31, 2006.

FIG. 2 is a back elevation view of the cigarette package of FIG. 1;

(51) **LOC (9) Cl.** **27-06**

(52) **U.S. Cl.** **D27/189**

(58) **Field of Classification Search** D27/185–189;
206/236–241, 249–251, 254–258, 259, 261–275;
D9/430; 229/160.1

FIG. 3 is a front elevation view of the cigarette package of FIG. 1;

FIG. 4 is a top plan view of the cigarette package of FIG. 1;

FIG. 5 is a bottom plan view of the cigarette package of FIG. 1;

See application file for complete search history.

FIG. 6 is a left side elevation view of the cigarette package of FIG. 1;

(56) **References Cited**

U.S. PATENT DOCUMENTS

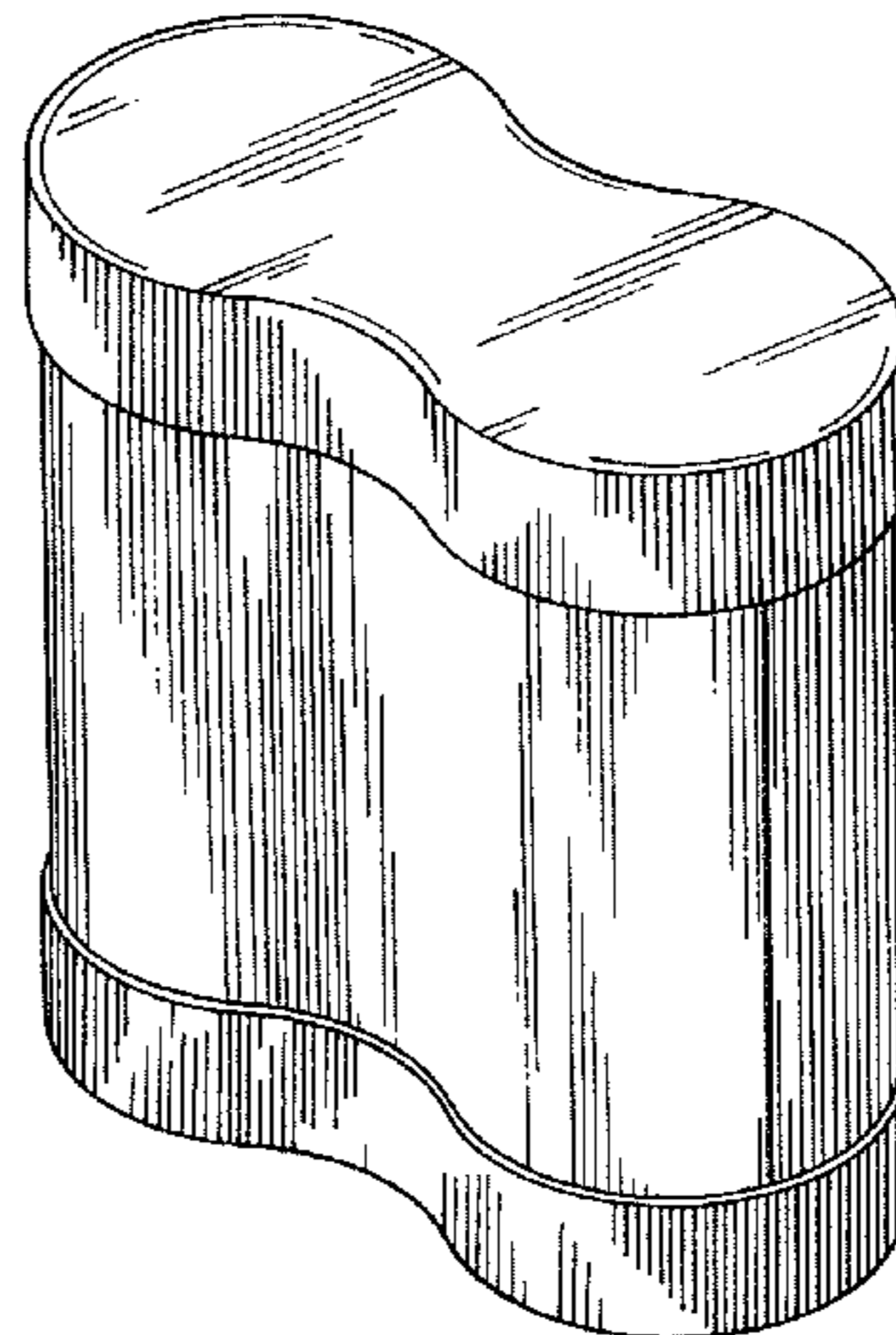
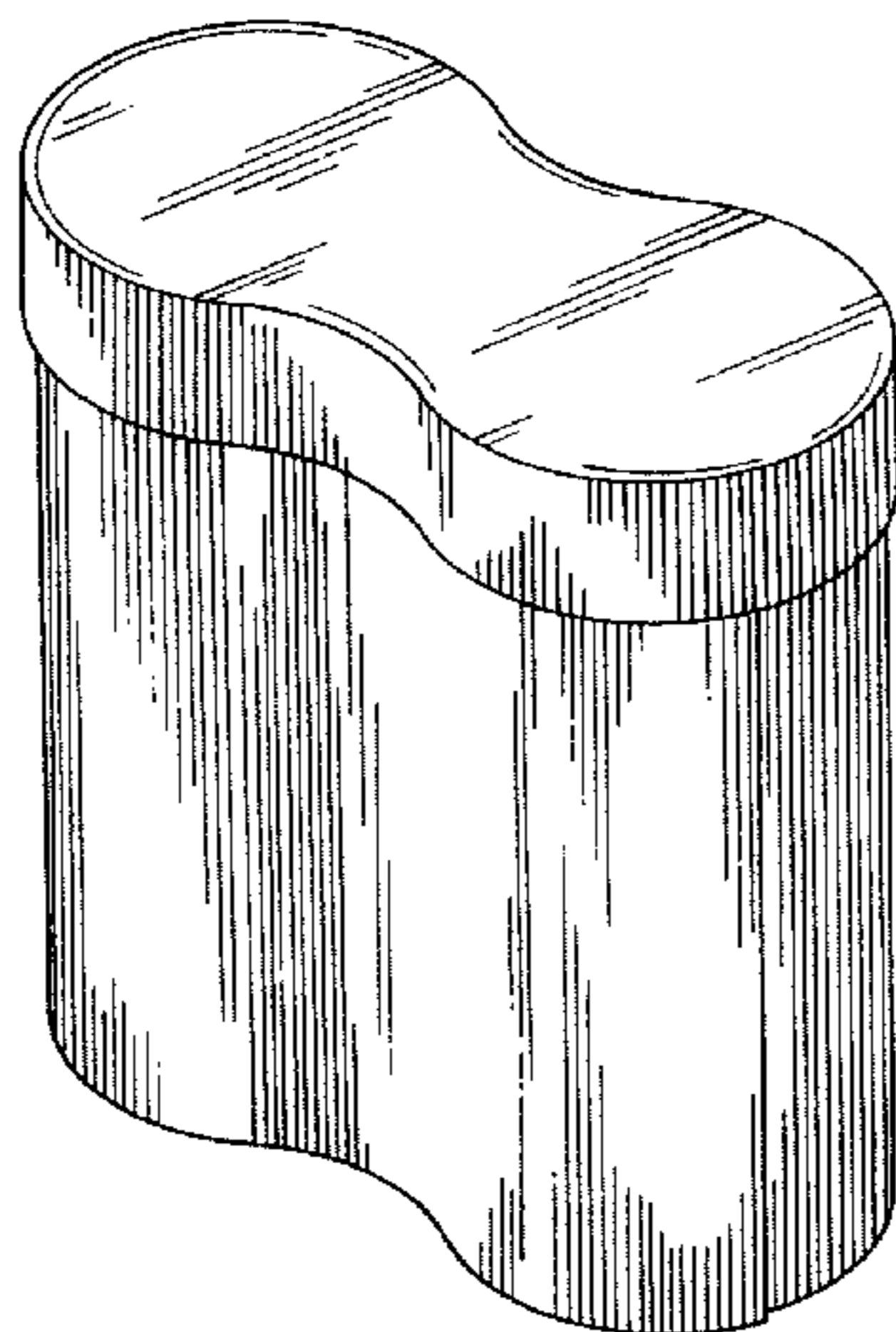
203,164 A	4/1878	Kinney	
654,031 A *	7/1900	Smith	206/255
1,089,457 A *	3/1914	Berriman	206/255
1,096,909 A	5/1914	Harvey	
1,106,005 A *	8/1914	Shevlin	229/5.5
1,358,875 A	11/1920	Reynolds	
1,563,056 A	11/1925	Williams et al.	
1,683,851 A *	9/1928	Wells	206/236
1,752,137 A	3/1930	Ahearn	
1,974,658 A	9/1934	Ross	
2,002,734 A *	5/1935	Ferrill	229/4.5
2,157,255 A	5/1939	Bumpass	
2,543,190 A *	2/1951	Musekamp	206/264
2,718,303 A	9/1955	Polglase	

FIG. 7 is the right side elevation view of the cigarette package of FIG. 1;

FIG. 8 is a front, top perspective view of the second embodiment of the cigarette package. The bottom, rear perspective view is an inverted image thereof. With the exception of the cap along the bottom, the side views of the second embodiment are the same as FIGS. 6 and 7.

The broken lines shown along the interior perimeter of the package represent the bounds of the claim. The broken lines showing the vertical wall between the two sections illustrate portions of the article. None of the broken lines form part of the claimed design.

1 Claim, 5 Drawing Sheets



US D595,453 S

Page 2

U.S. PATENT DOCUMENTS					
			5,333,729 A	8/1994	Wolfe
3,007,623 A	11/1961	Clemens	5,392,905 A	2/1995	Focke et al.
3,148,768 A	9/1964	Gatto	5,542,529 A	8/1996	Hein, III et al.
3,193,179 A	7/1965	Bogren	5,595,803 A	1/1997	May et al.
3,223,275 A *	12/1965	Rice, Jr.	5,743,397 A	4/1998	Traver
		206/268	5,938,018 A	8/1999	Keaveney
3,226,010 A	12/1965	Rogers, Jr.	5,957,278 A *	9/1999	Krawec et al.
3,402,871 A *	9/1968	Palmer			206/223
		220/671	D427,369 S	6/2000	Bowen et al.
3,410,394 A	11/1968	Jackson et al.	6,530,495 B1	3/2003	Joseph
3,695,422 A	10/1972	Tripodi	6,726,006 B1	4/2004	Funderburk et al.
3,874,581 A	4/1975	Fox et al.	6,932,219 B2	8/2005	Chacko et al.
3,944,066 A	3/1976	Niepmann	D509,623 S	9/2005	Mitten et al.
4,293,091 A	10/1981	Gerard	7,014,039 B2	3/2006	Henson et al.
4,294,353 A	10/1981	Focke et al.	D523,171 S	6/2006	Mitten et al.
4,444,308 A *	4/1984	MacEwen	D523,990 S	6/2006	Mitten et al.
		206/249	7,118,792 B2	10/2006	Hewitt et al.
D279,507 S	7/1985	Schechter et al.	D535,017 S	1/2007	Stawski et al.
4,708,704 A	11/1987	Focke et al.	7,318,523 B2	1/2008	Spatafora
4,717,017 A	1/1988	Sprinkel, Jr. et al.	2002/0144915 A1 *	10/2002	Atkinson et al.
4,753,383 A	6/1988	Focke et al.			206/278
4,784,261 A	11/1988	Kutchin	2005/0023158 A1	2/2005	Mitten et al.
4,836,378 A	6/1989	Lephardt	2005/0150786 A1	7/2005	Mitten et al.
4,852,734 A	8/1989	Allen et al.	2005/0155878 A1	7/2005	Pham
4,923,059 A	5/1990	Evers et al.	2006/0091026 A1	5/2006	Mitten et al.
5,097,948 A	3/1992	Campbell	2006/0168909 A1	8/2006	Miyaoka et al.
5,139,140 A	8/1992	Burrows et al.	2008/0093233 A1 *	4/2008	Jones et al.
5,143,282 A	9/1992	Pham			206/268
5,192,262 A	3/1993	Amendola et al.	2008/0099353 A1 *	5/2008	Parsons et al.
					206/266

* cited by examiner

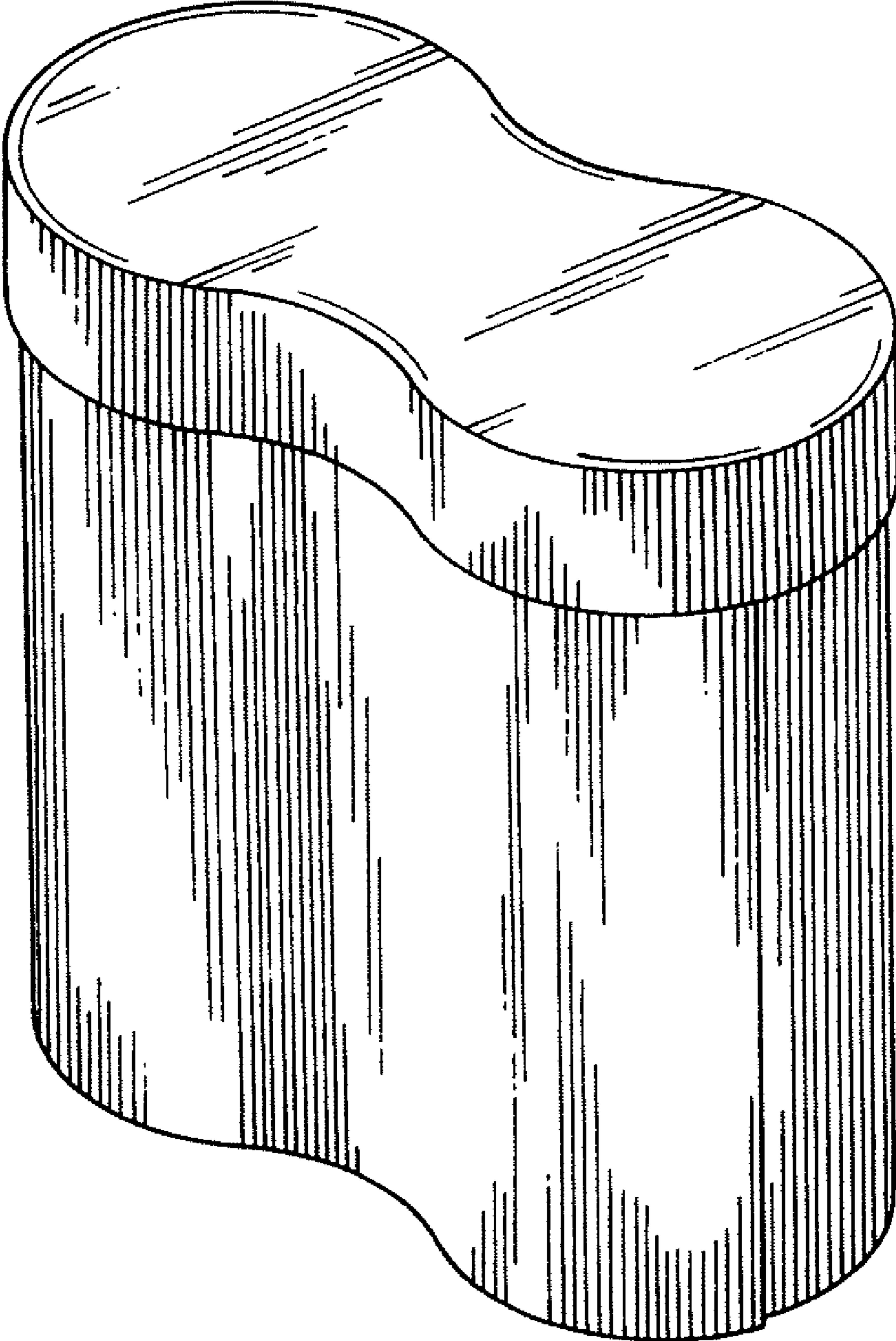


Fig. 1

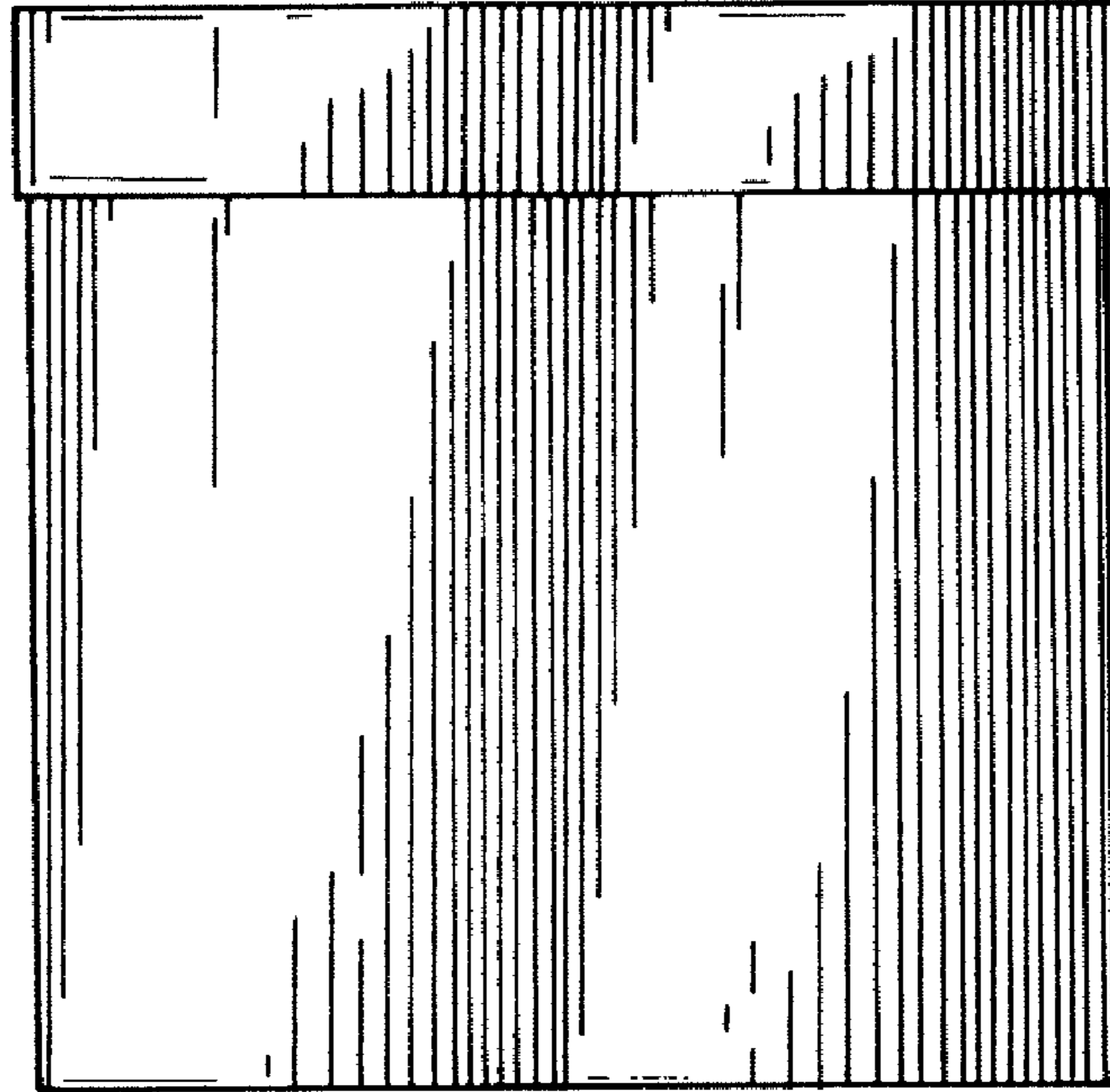


Fig. 2

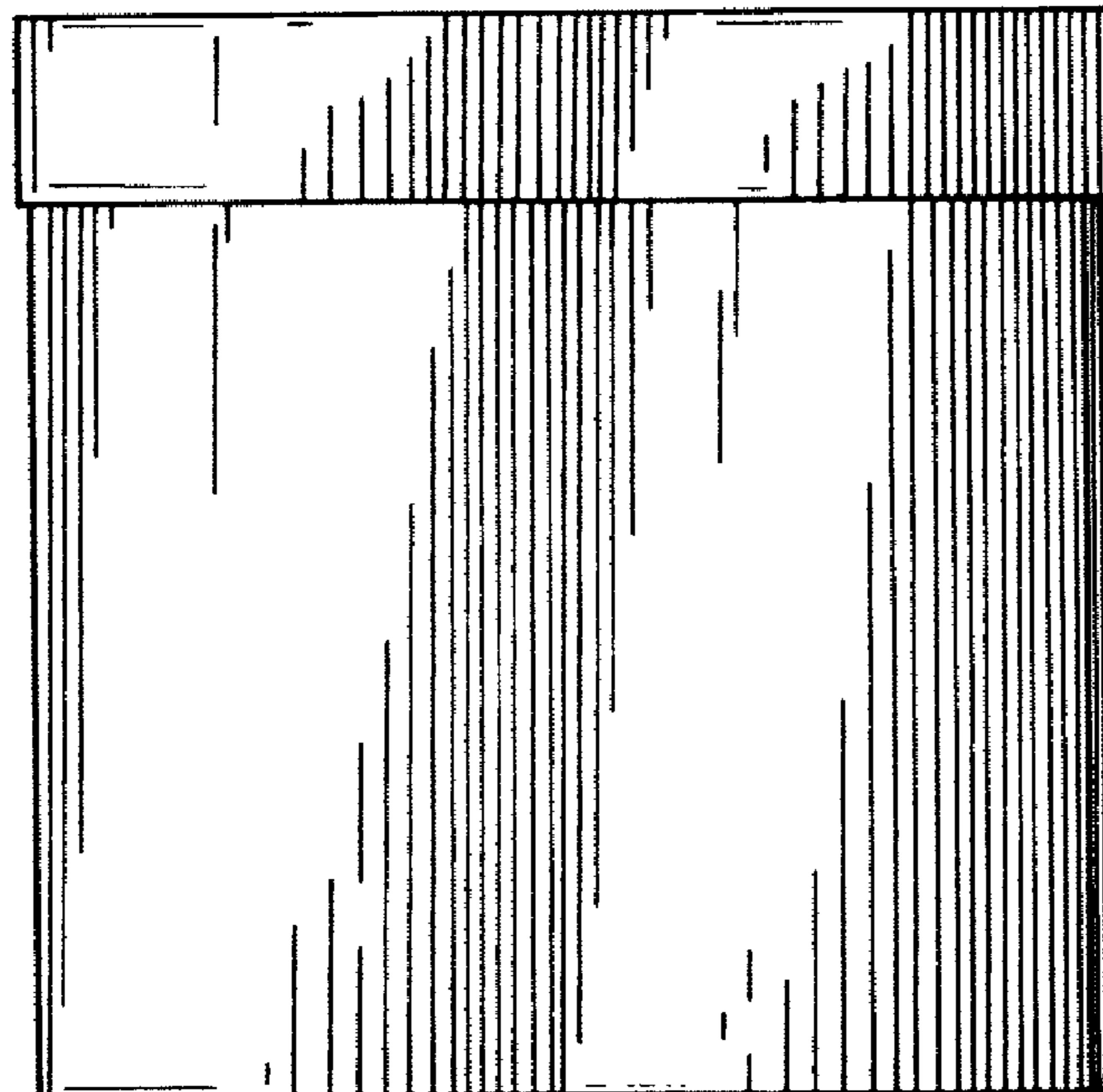


Fig. 3

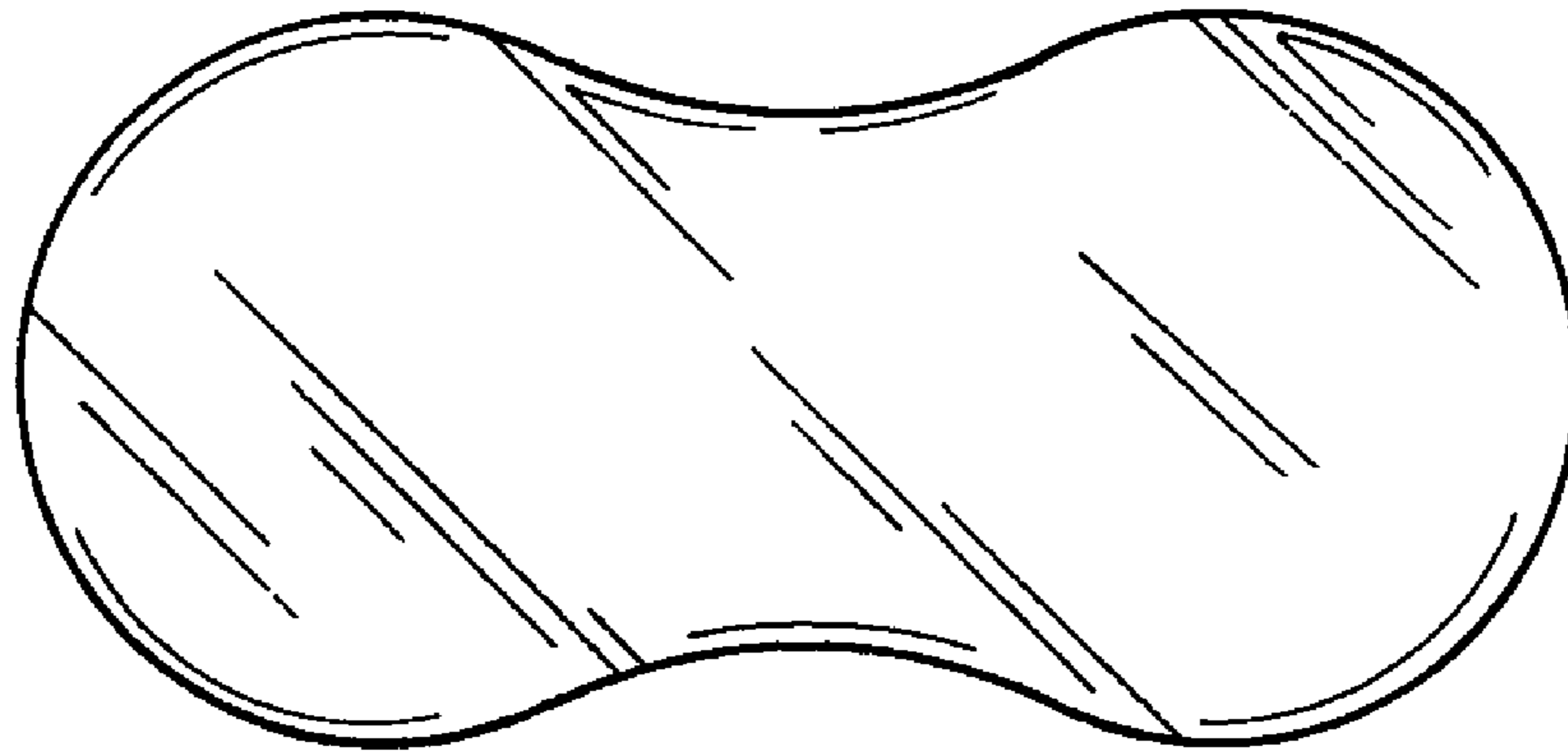


Fig. 4

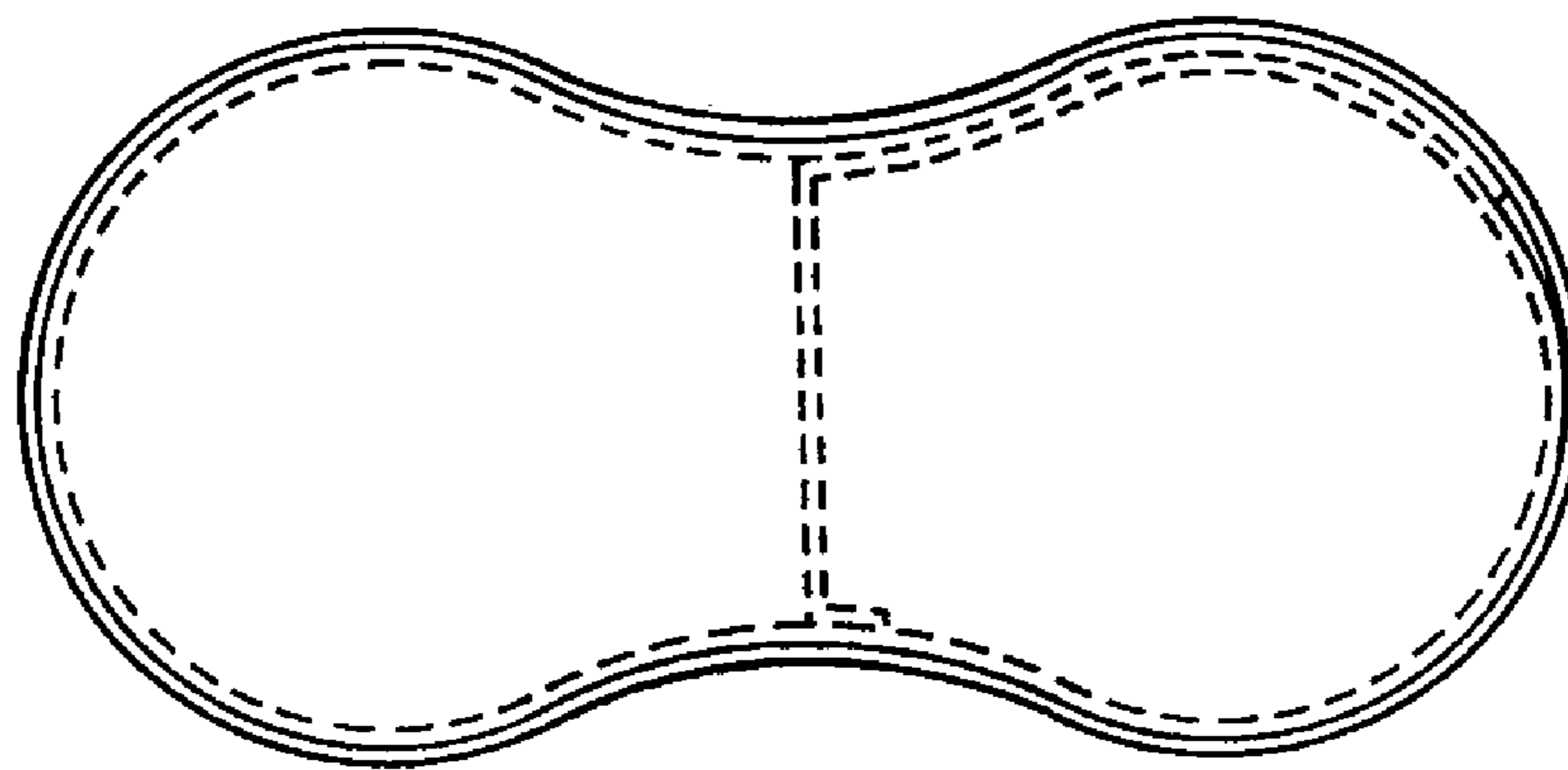


Fig. 5

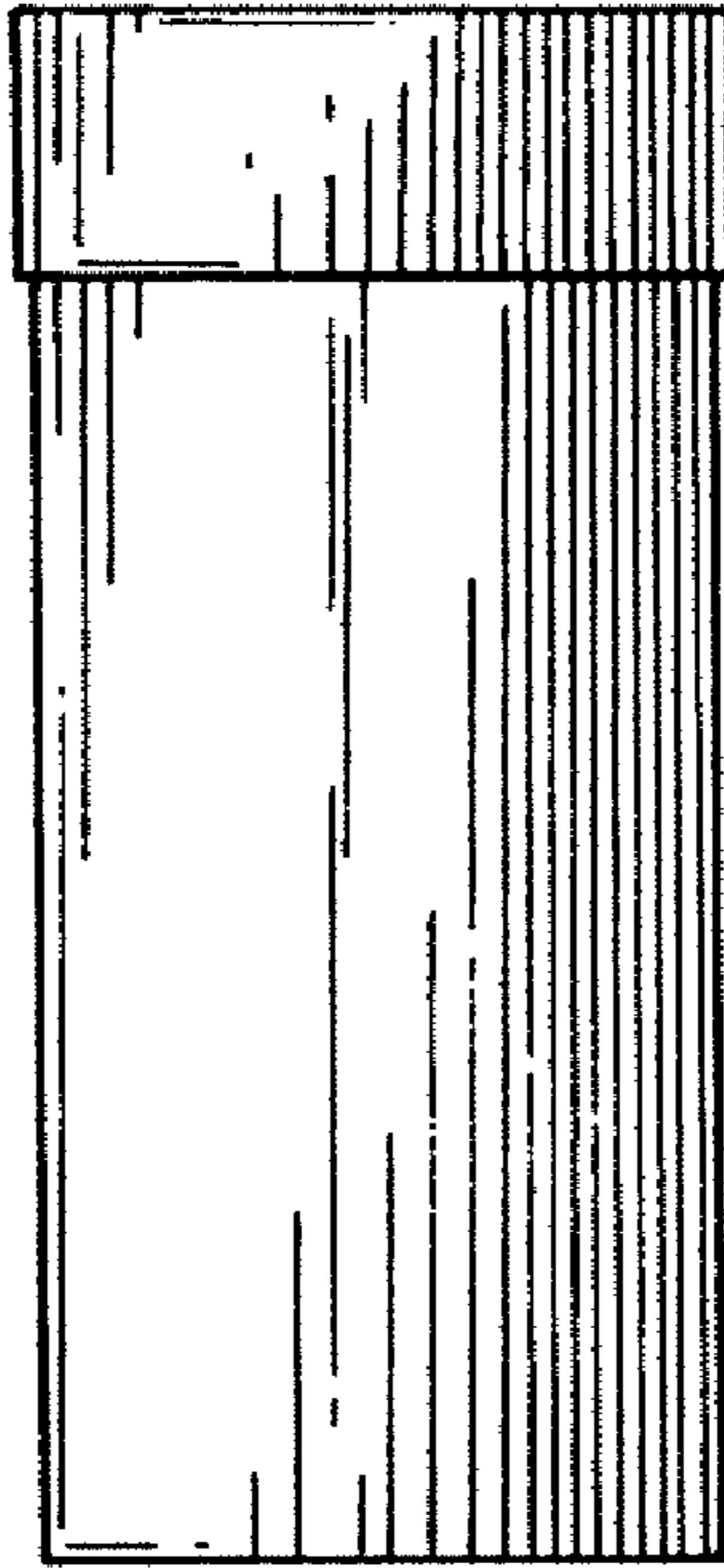


Fig. 6

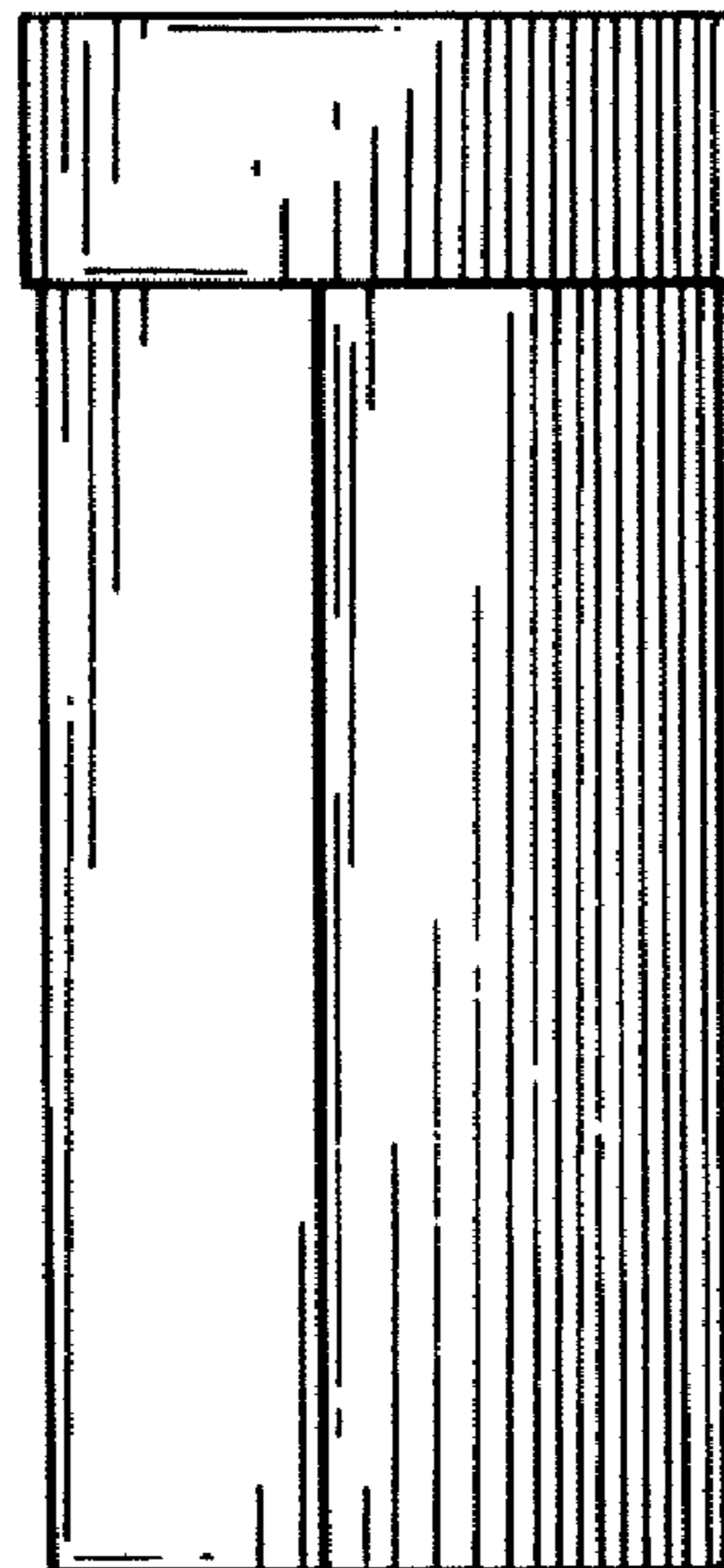


Fig. 7

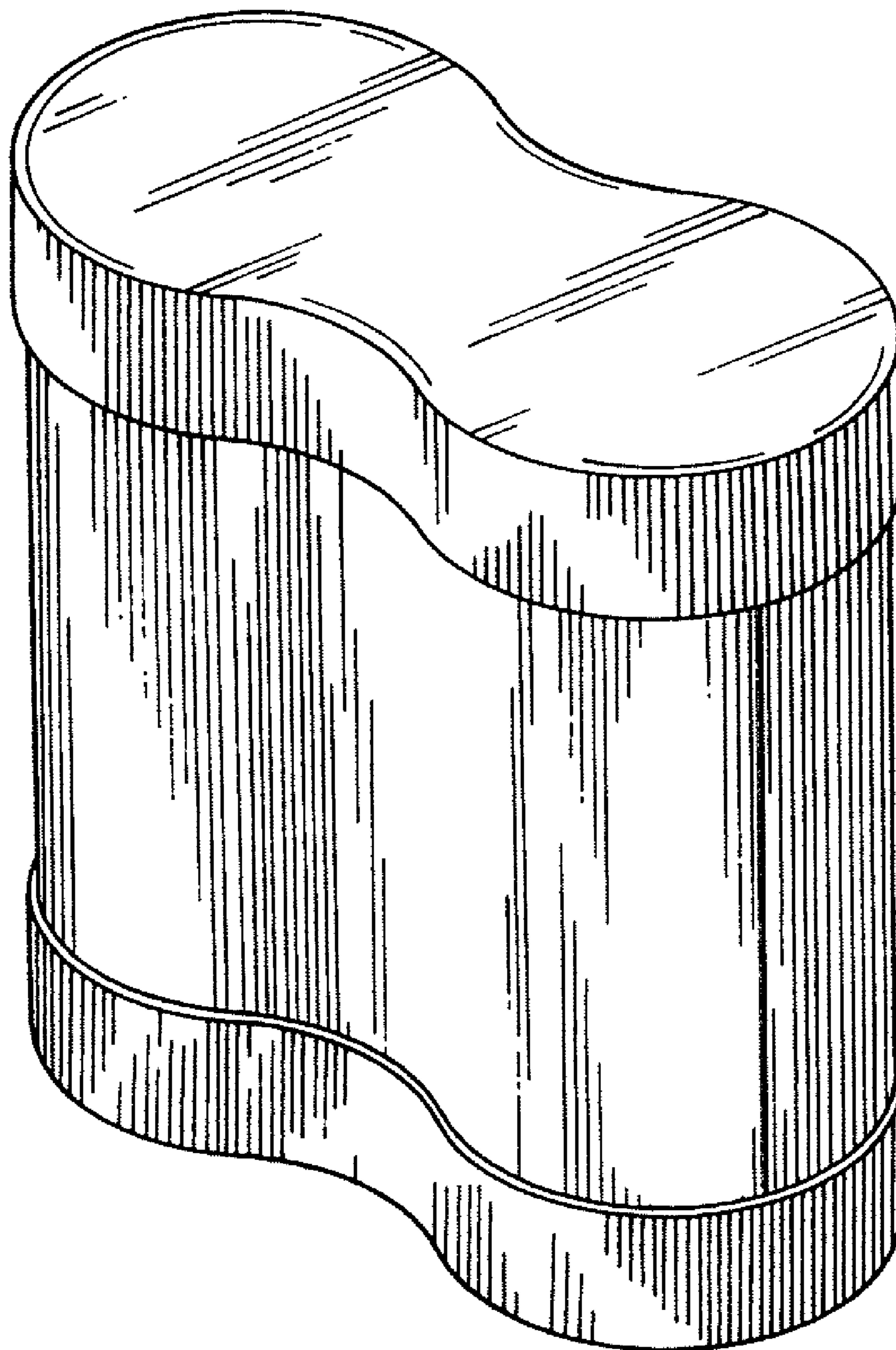


Fig. 8