



US00D595452S

(12) **United States Design Patent**
Khang et al.

(10) **Patent No.:** **US D595,452 S**
(45) **Date of Patent:** **** Jun. 30, 2009**

(54) **RECESSED BAFFLE TRIM**

(75) Inventors: **Kanghong Khang**, Torrance, CA (US);
Dan Dix, Irvine, CA (US)

(73) Assignee: **Cordelia Lighting, Inc.**, Rancho Dominguez, CA (US)

(**) Term: **14 Years**

(21) Appl. No.: **29/295,943**

(22) Filed: **Oct. 10, 2007**

(51) **LOC (9) Cl.** **26-99**

(52) **U.S. Cl.** **D26/138**

(58) **Field of Classification Search** D11/131,
D11/141; D26/85, 76, 118, 87, 86, 128,
D26/74, 138, 60, 72, 75, 113, 120, 129, 140,
D26/141, 142, 152, 153, 154, 155, 143, 144,
D26/81; D8/381; D10/118; D13/180; D34/1;
D5/1, 2, 41; D6/310; 119/233, 266, 267,
119/269, 256, 257; 362/148, 364, 365, 606,
362/612, 576, 581, 121, 125, 147, 217, 257,
362/317, 330, 351, 356, 363, 396, 404, 405,
362/101, 366

See application file for complete search history.

(56) **References Cited**

U.S. PATENT DOCUMENTS

D247,562	S *	3/1978	Walker et al.	D14/209
4,595,969	A *	6/1986	McNair	362/217
4,956,758	A *	9/1990	Aubrey et al.	362/285
D326,537	S *	5/1992	Gattari	D26/74
D326,729	S *	6/1992	Gattari	D26/74
D383,564	S *	9/1997	Lecluze	D26/118
D399,590	S *	10/1998	Lecluze	D26/118
5,911,499	A *	6/1999	Stafford et al.	362/240
6,588,922	B1 *	7/2003	DeCicco	362/364

* cited by examiner

Primary Examiner—Cathron C Brooks

Assistant Examiner—Kevin K Rudzinski

(74) *Attorney, Agent, or Firm*—Paul Y. Feng; Fulwider Patton LLP

(57) **CLAIM**

The ornamental design for a recessed baffle trim, as shown and described.

DESCRIPTION

FIG. 1 is a bottom perspective view of one embodiment of a recessed baffle trim showing the new design;

FIG. 2 is a top perspective view of FIG. 1;

FIG. 3 is a side view of FIG. 1;

FIG. 4 is another side view of FIG. 1;

FIG. 5 is a bottom view of FIG. 1;

FIG. 6 is a top view of FIG. 1;

FIG. 7 is a bottom perspective view of a second embodiment of a recessed baffle trim showing the new design;

FIG. 8 is a top perspective view of FIG. 7;

FIG. 9 is a side view of FIG. 7;

FIG. 10 is another side view of FIG. 7;

FIG. 11 is a bottom view of FIG. 7;

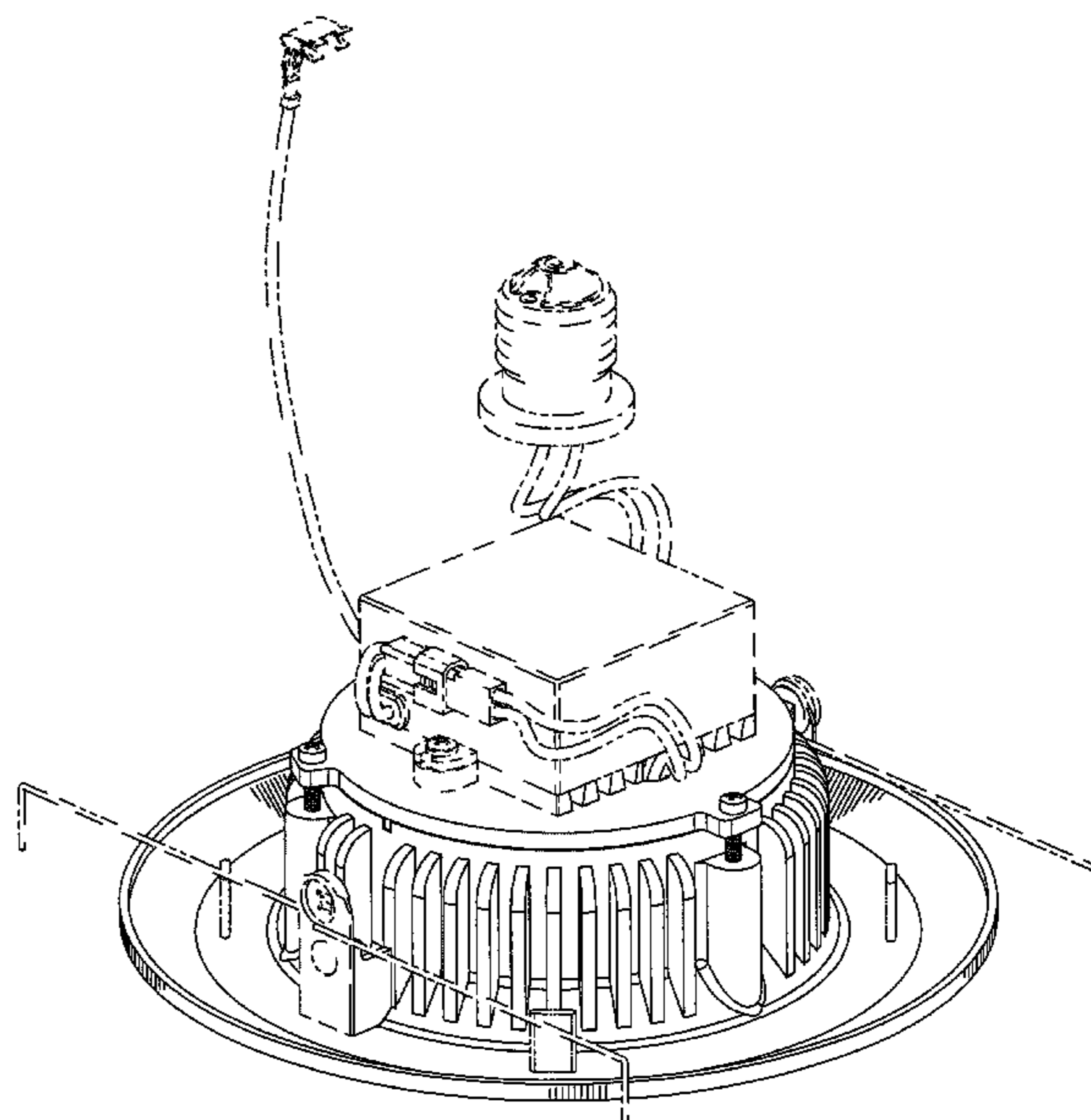
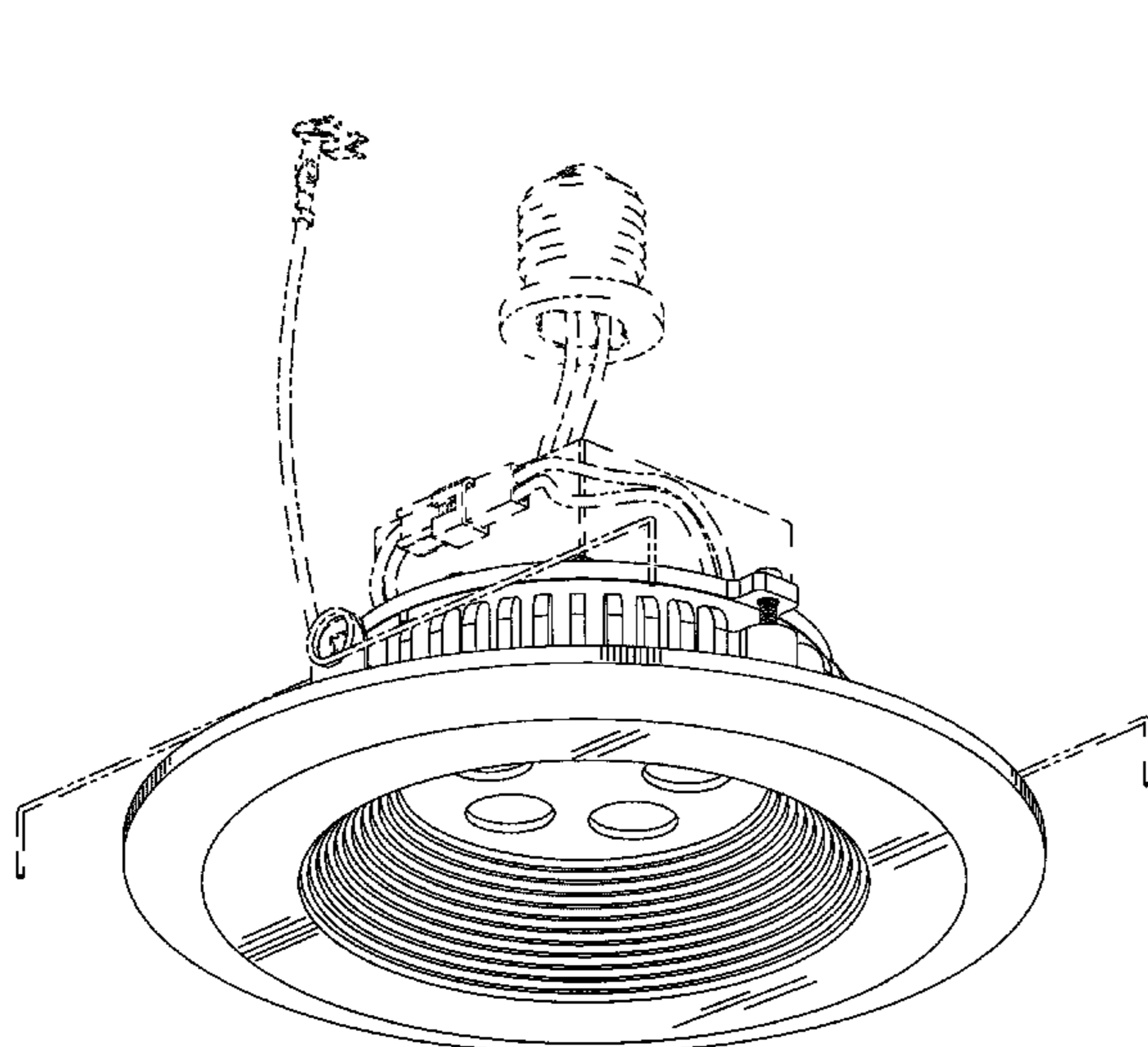
FIG. 12 is a top view of FIG. 7;

FIG. 13 is a side view of FIG. 7 with the baffle trim portion in a rotated position; and,

FIG. 14 is a top perspective view of FIG. 7 with the baffle trim portion in a rotated position.

All structures shown in light broken lines are for illustrative purposes only and form no part of the claimed design.

1 Claim, 14 Drawing Sheets



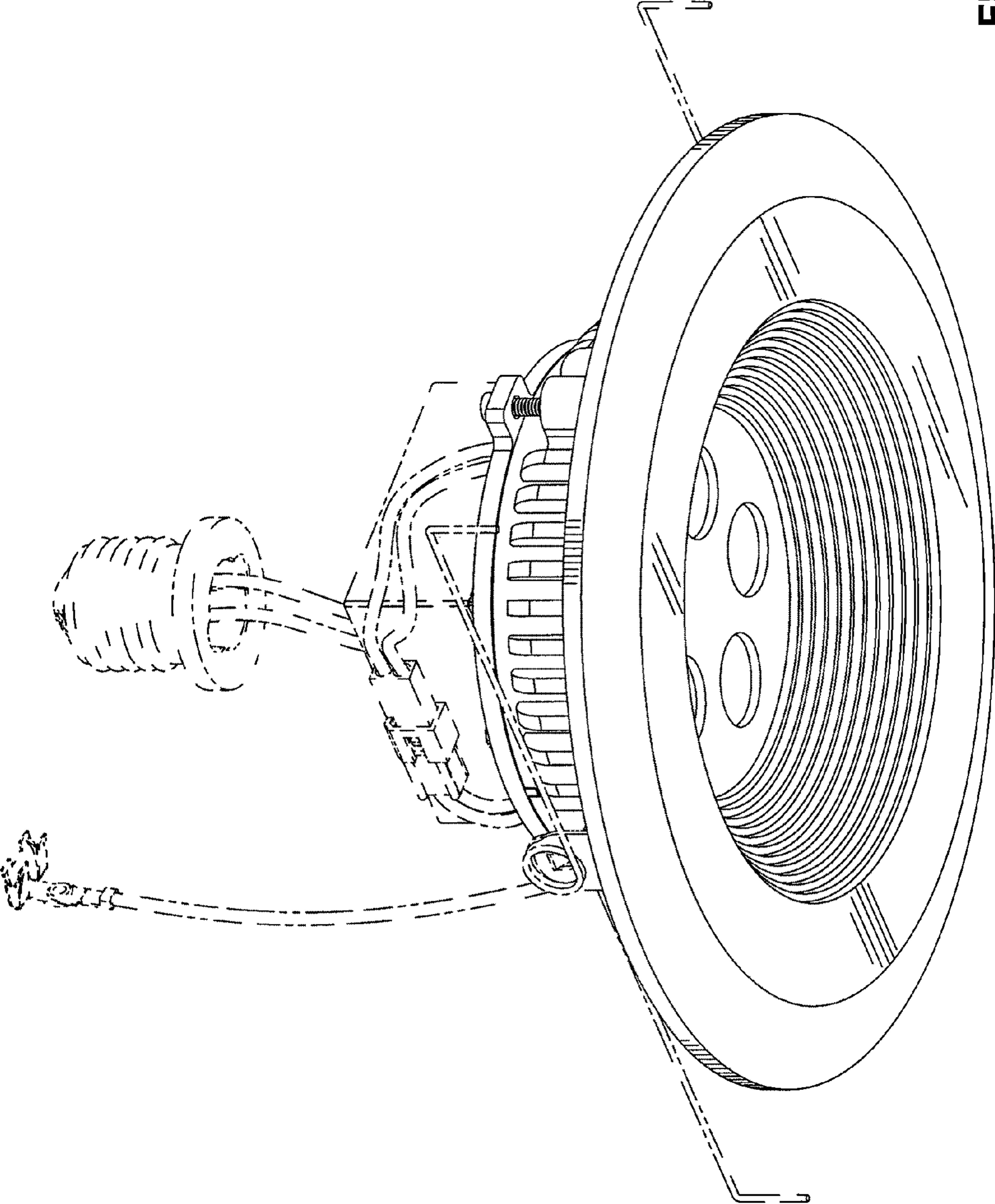


FIG. 1

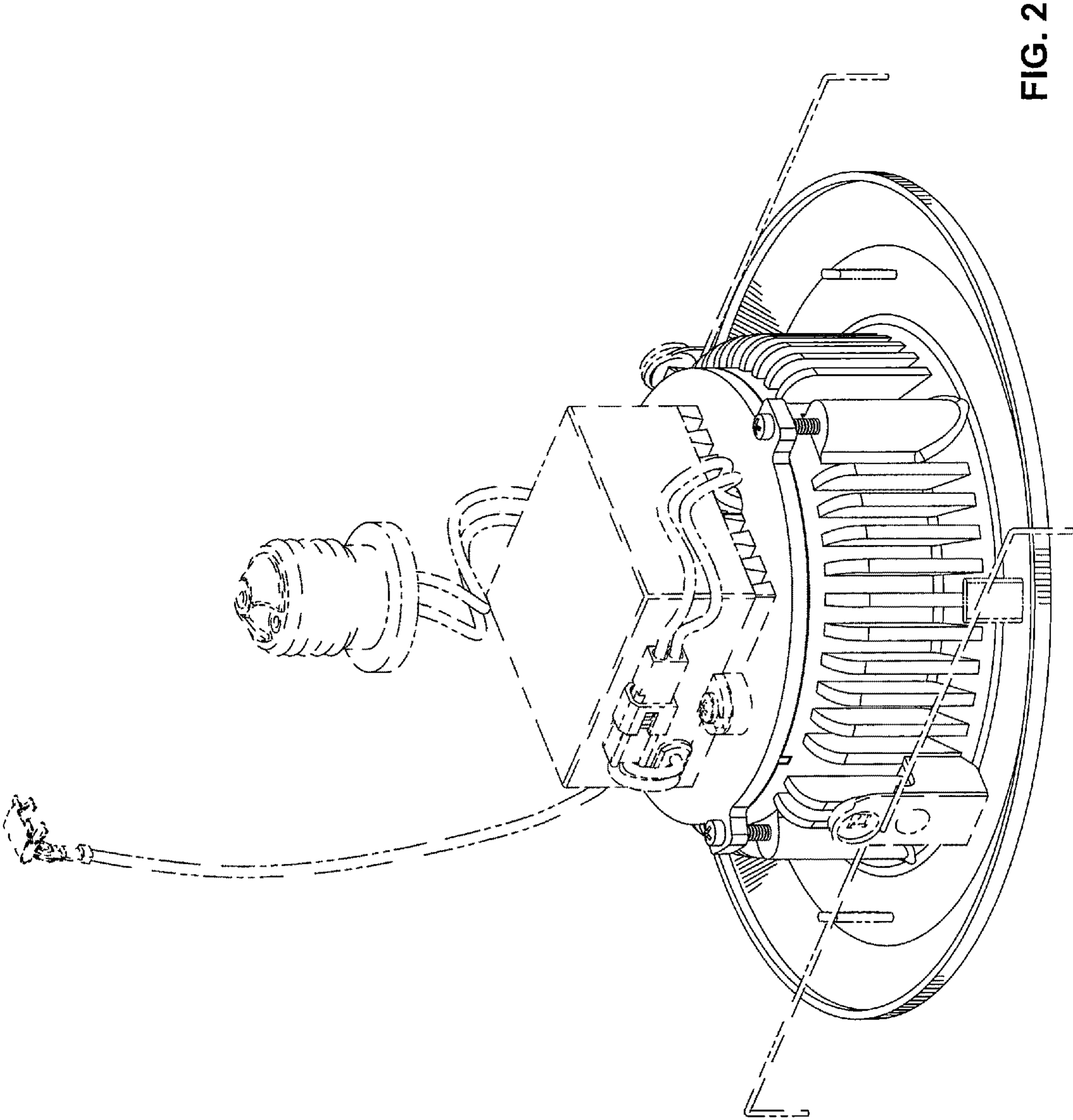


FIG. 2

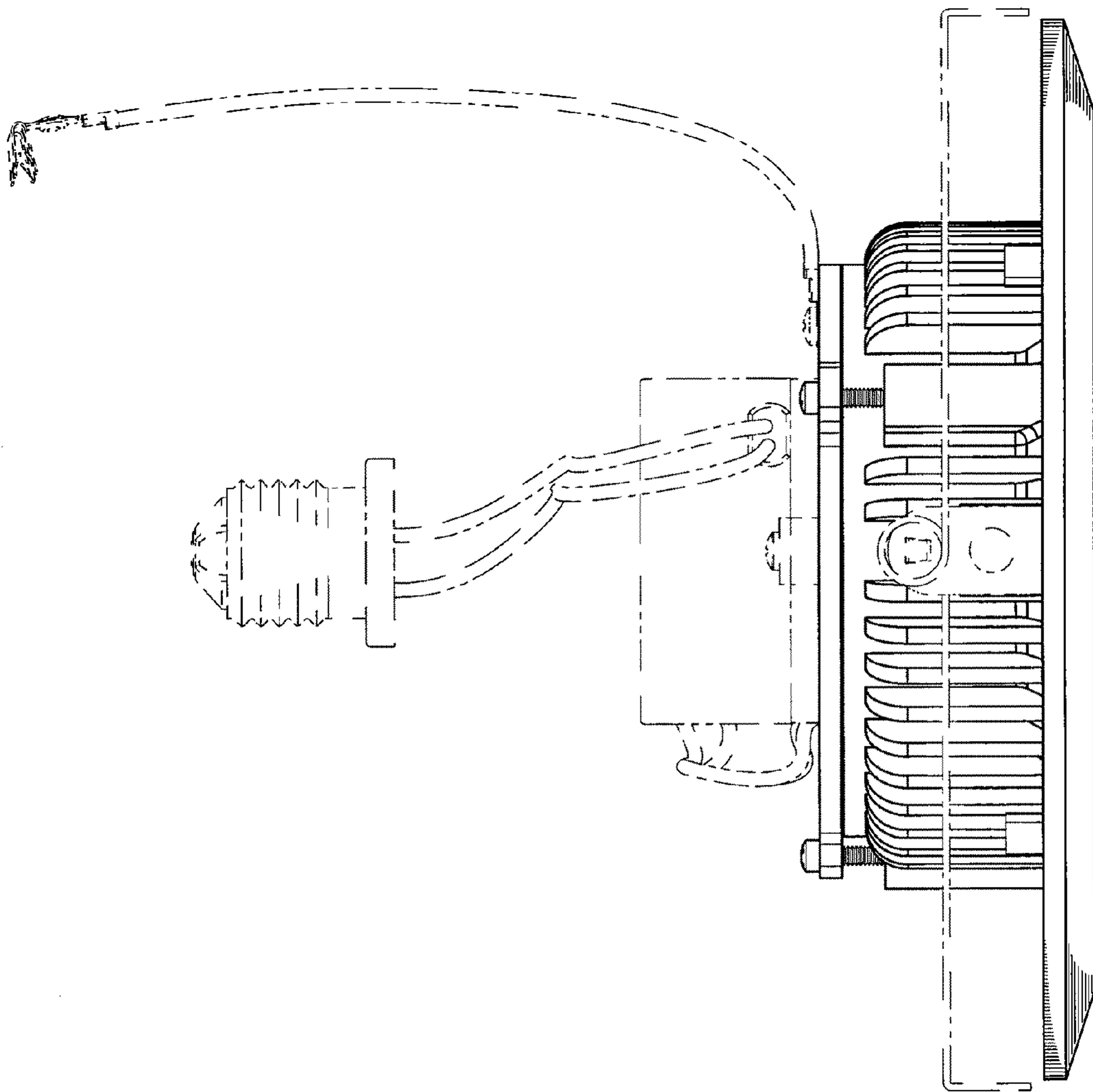


FIG. 3

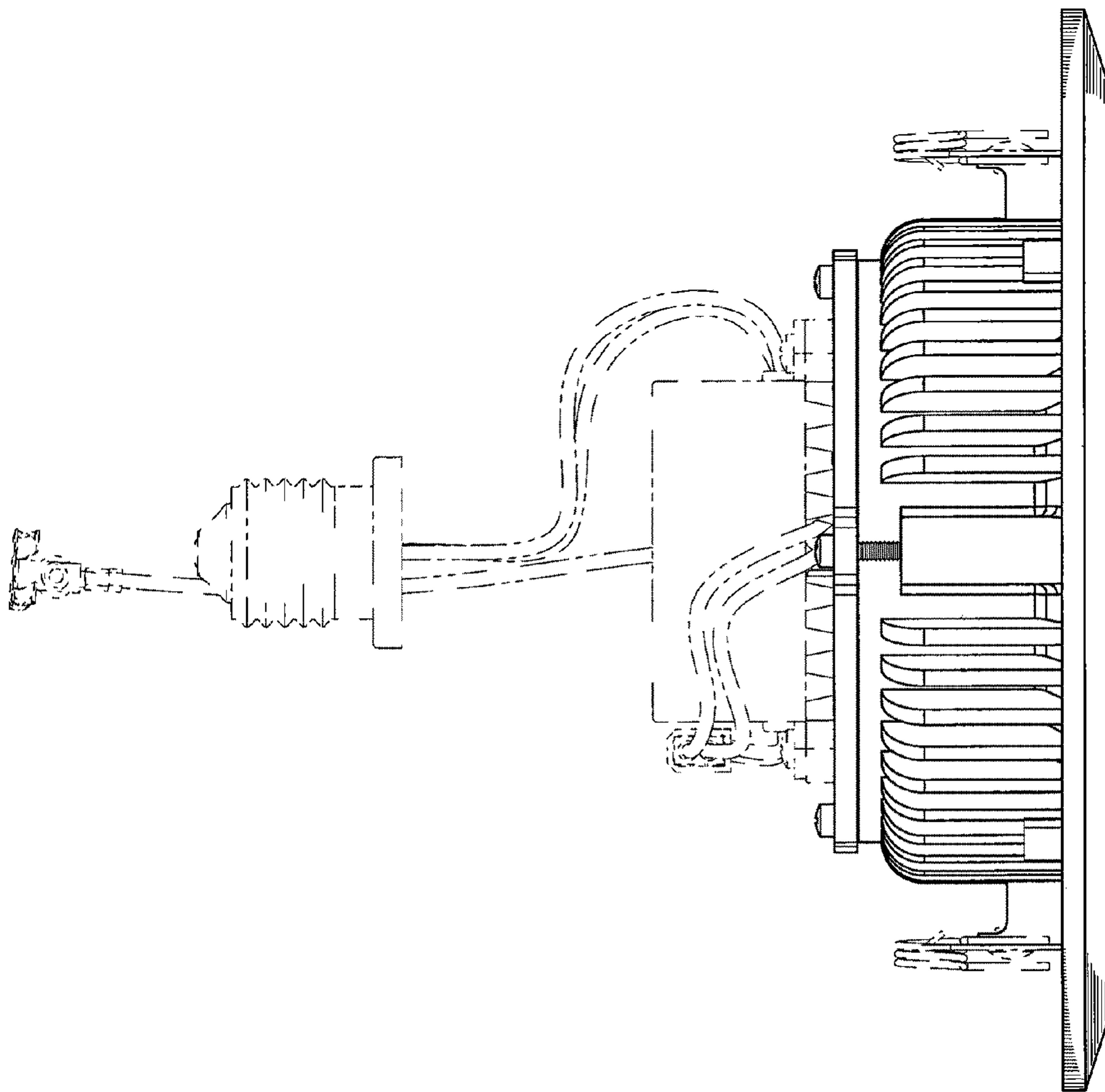


FIG. 4

FIG. 5

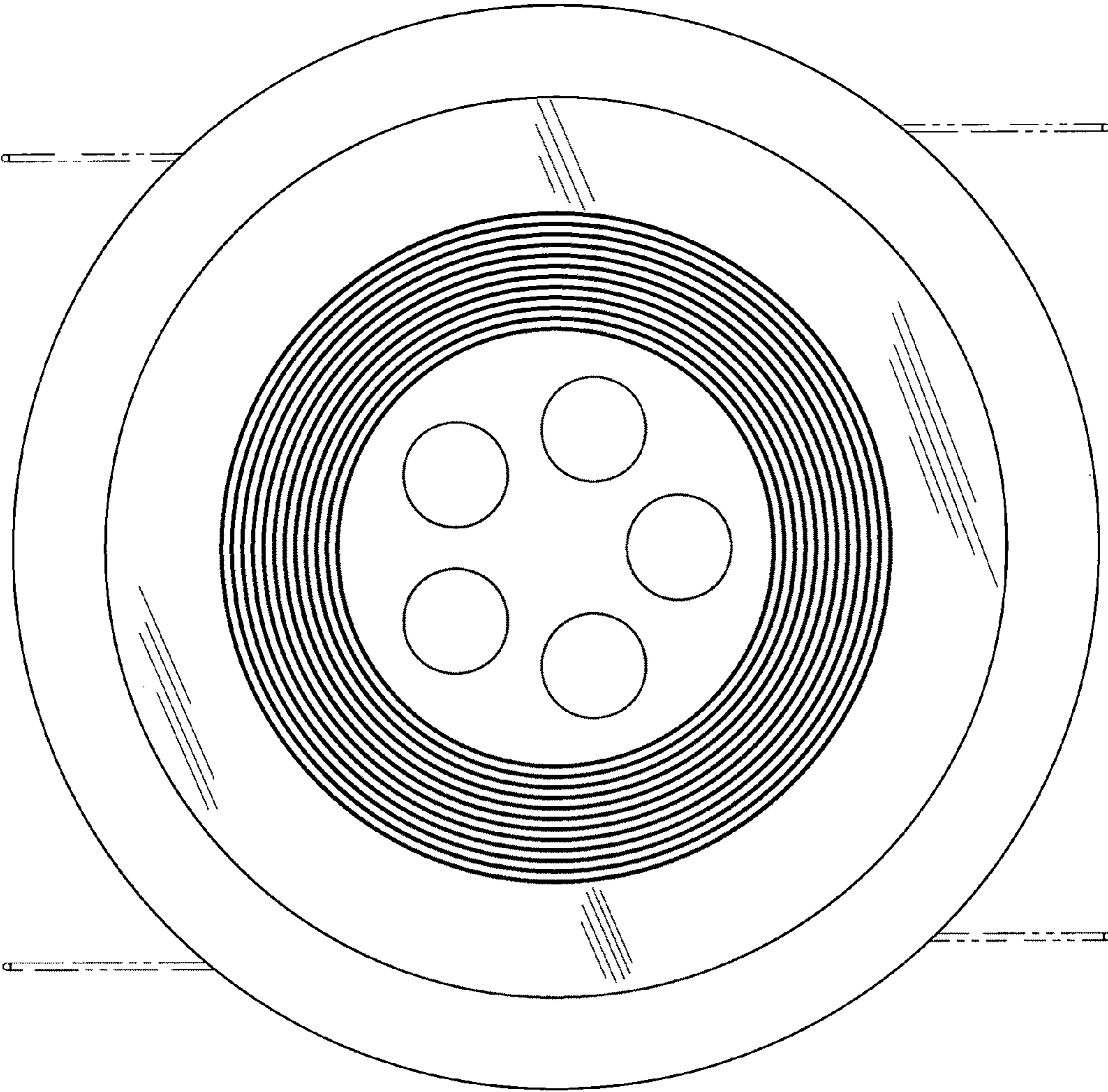
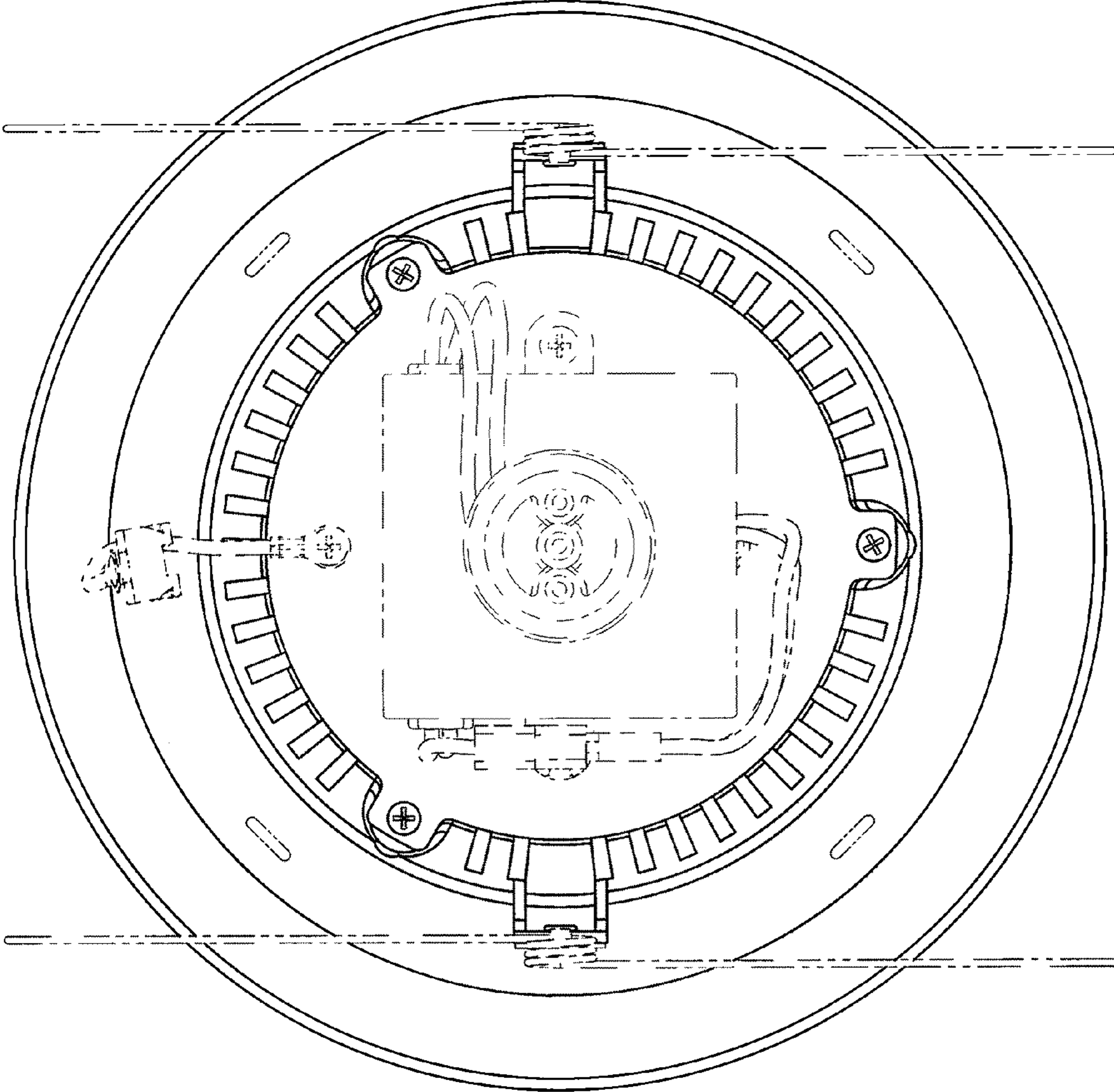


FIG. 6



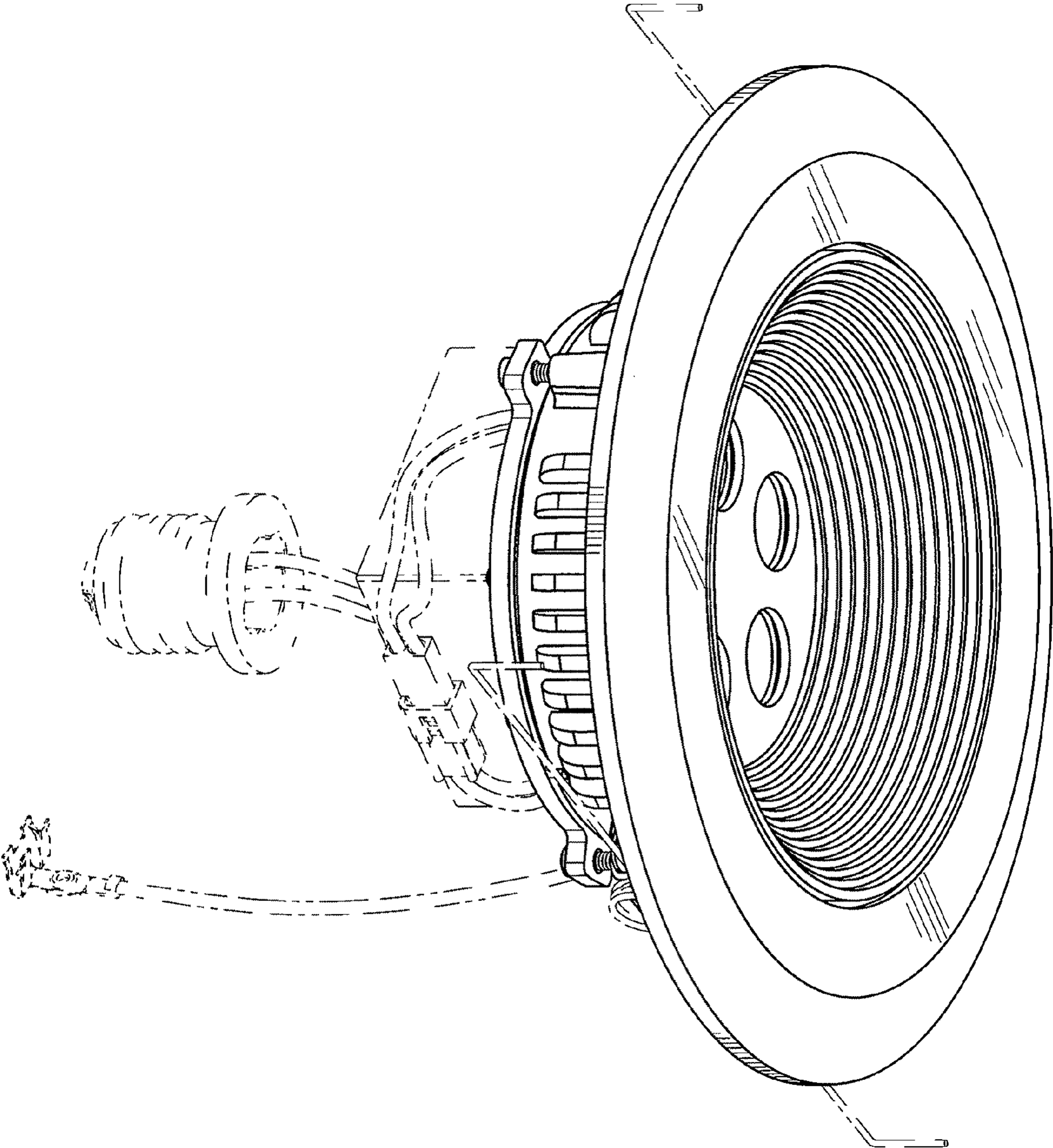


FIG. 7

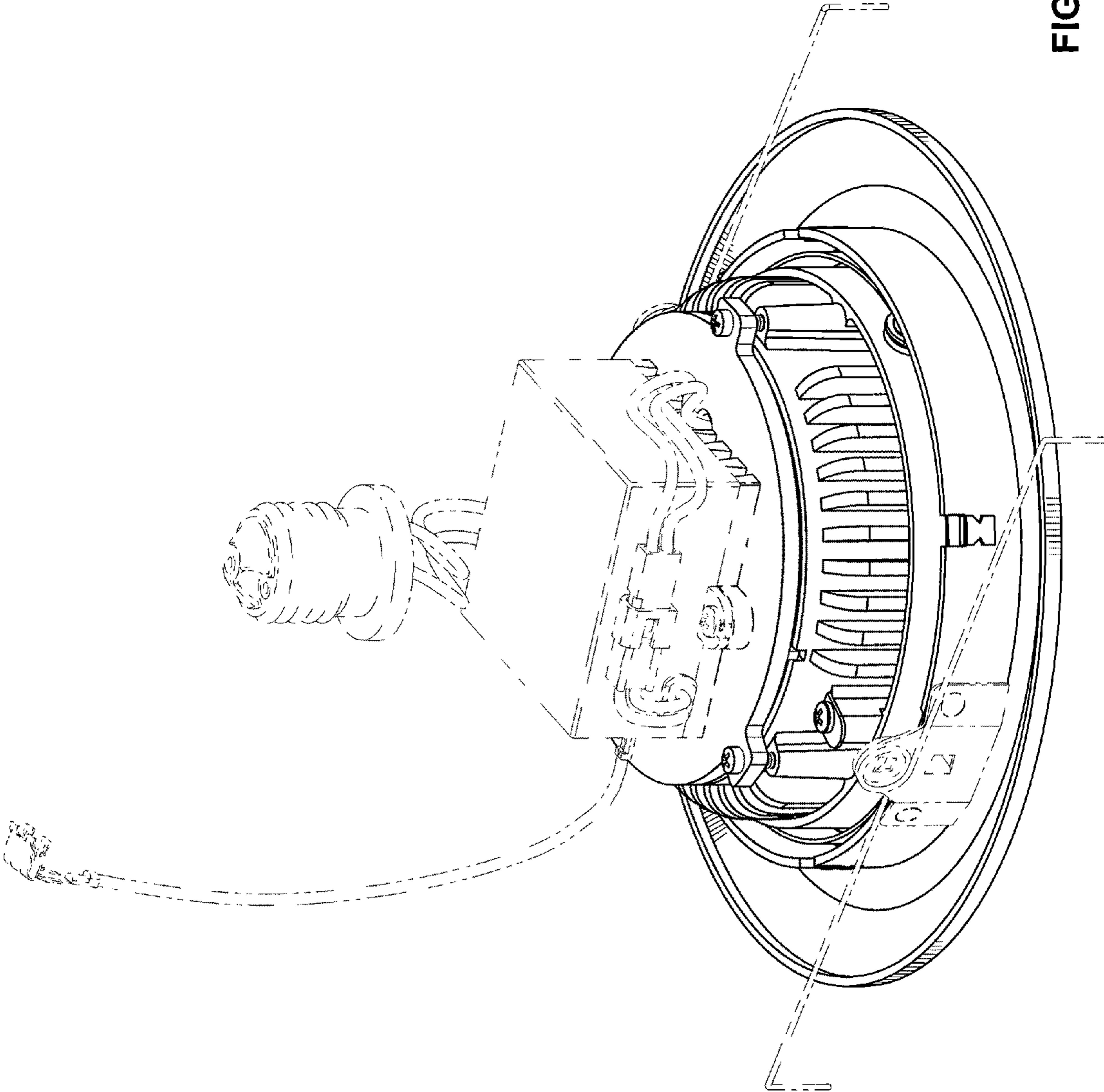


FIG. 8

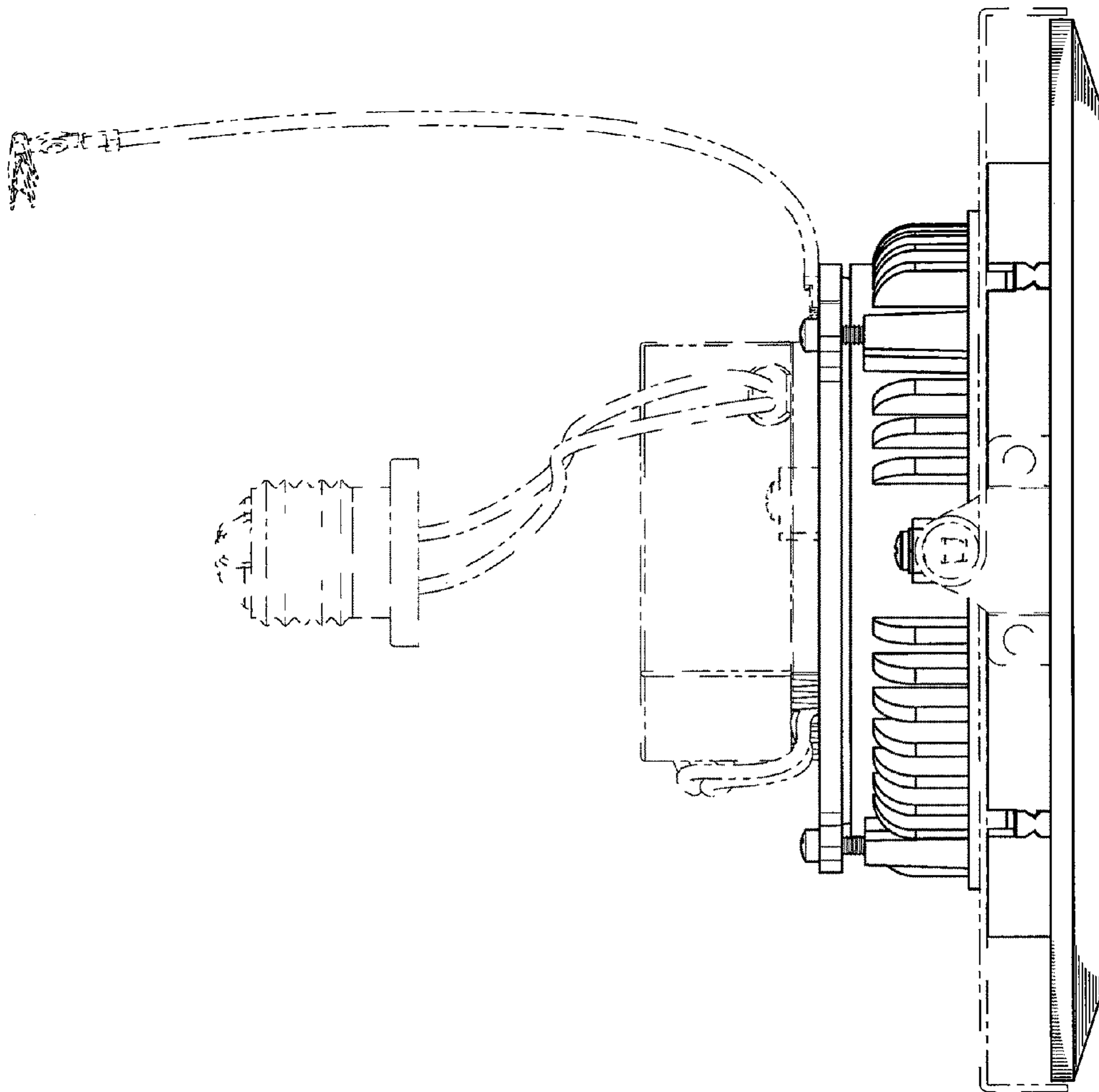


FIG. 9

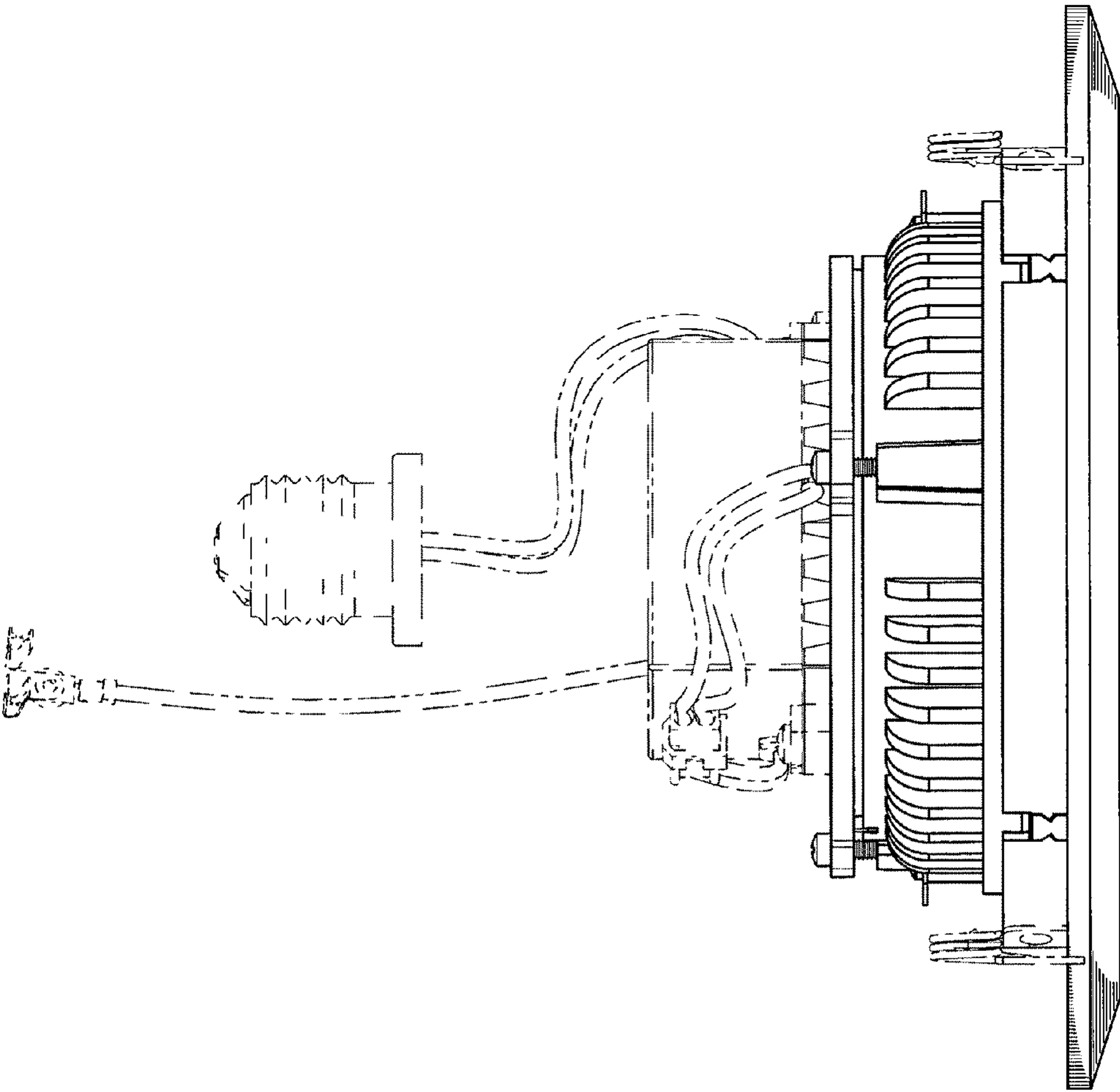


FIG. 10

FIG. 11

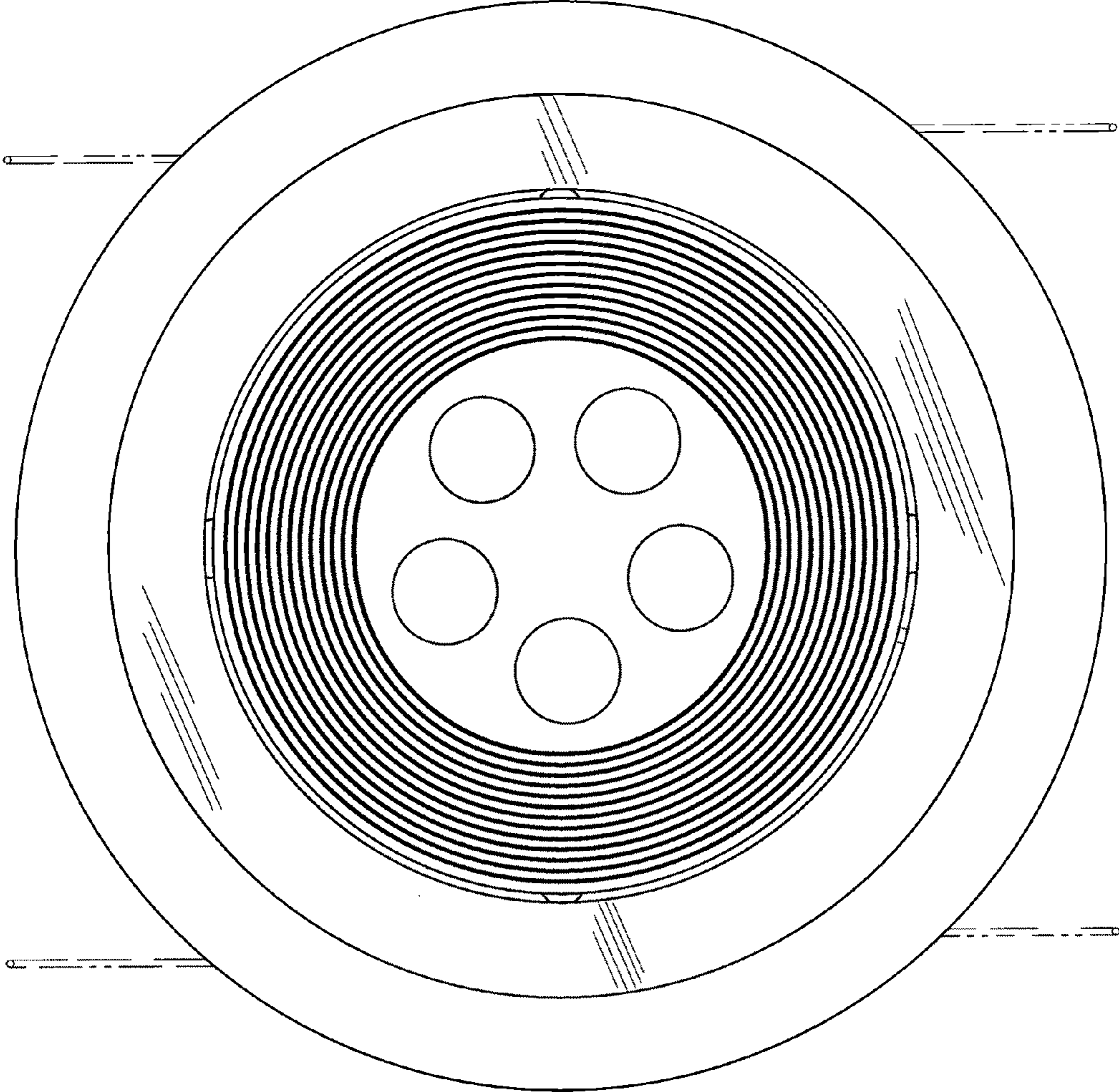
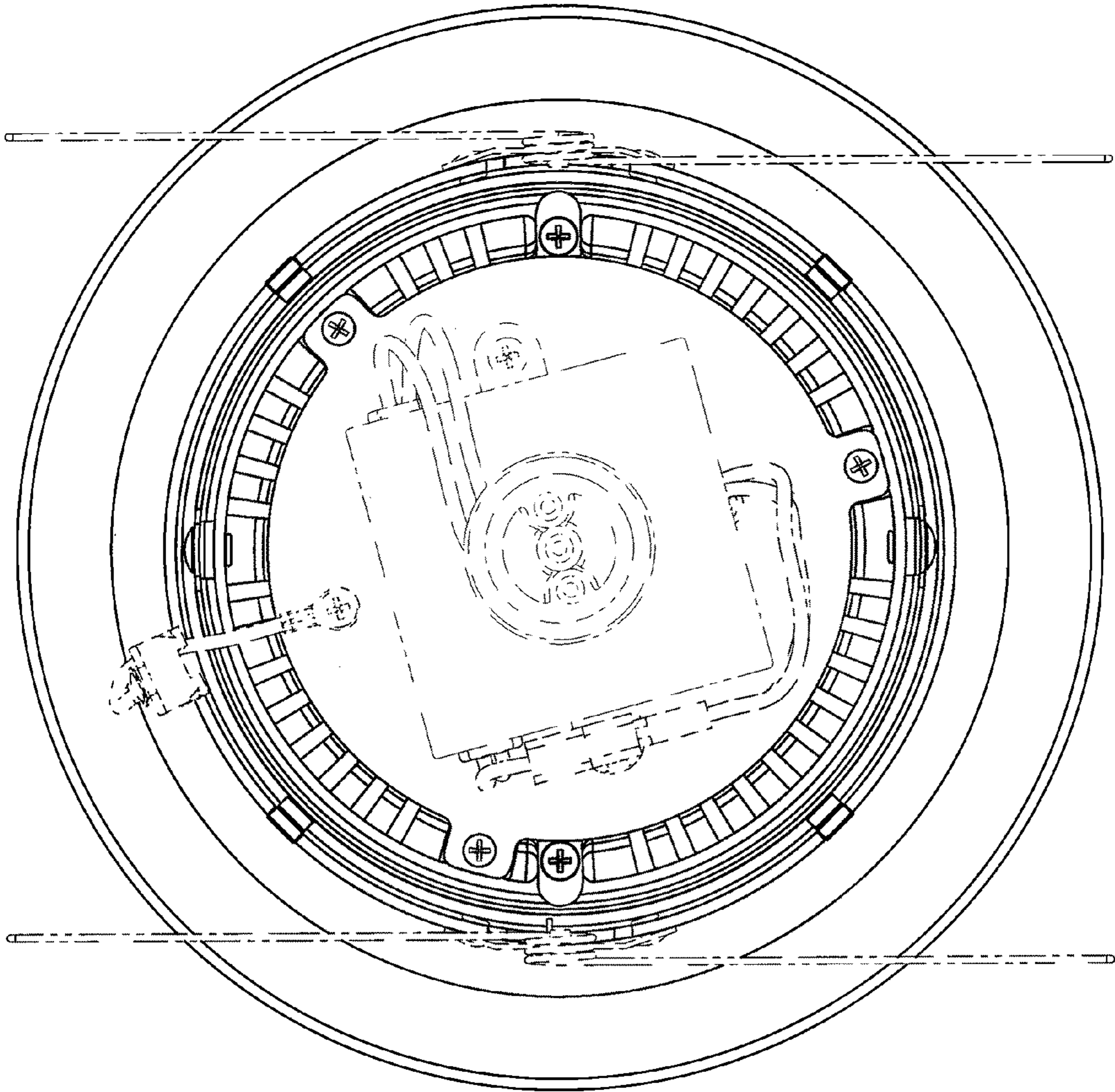


FIG. 12



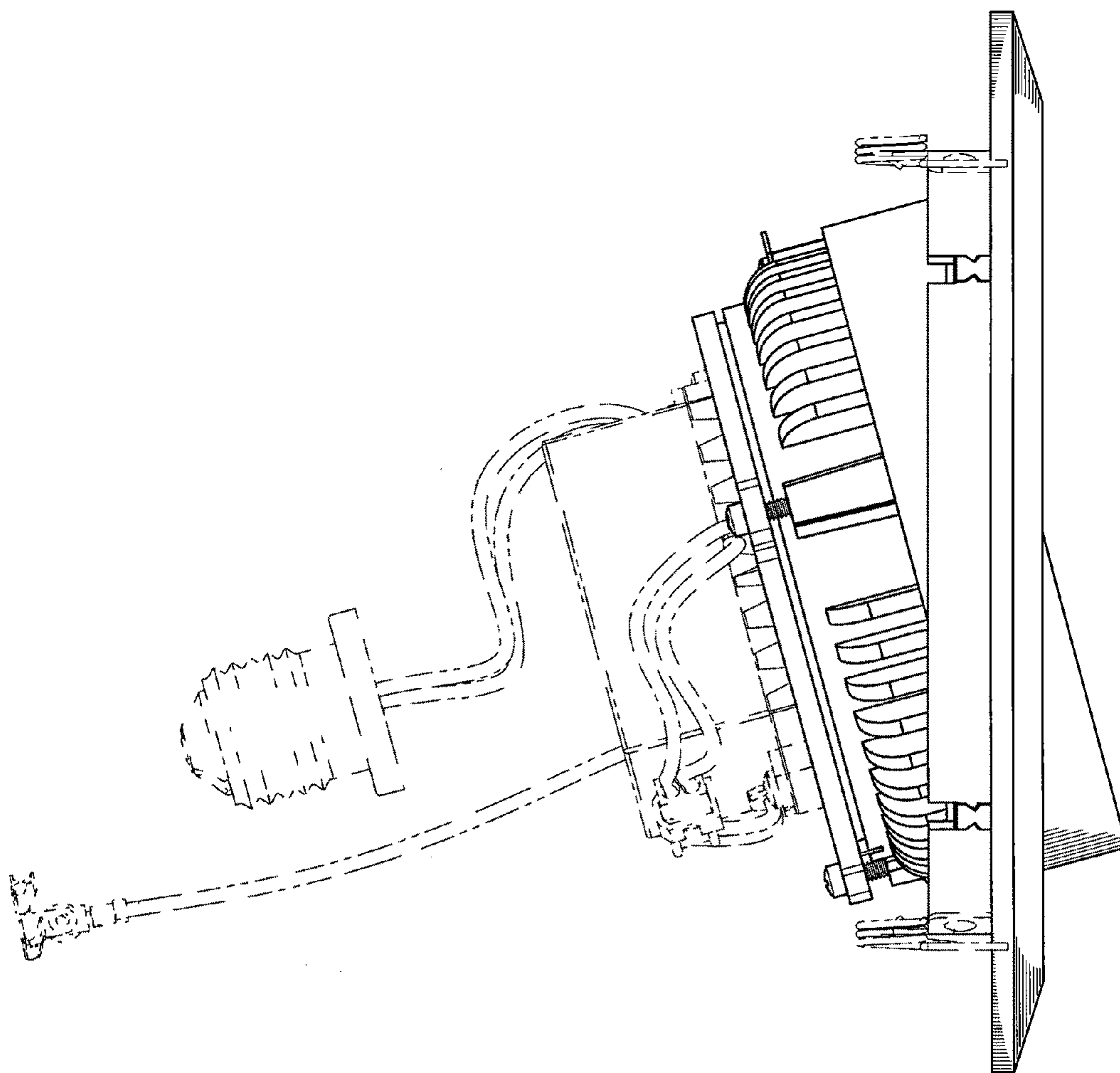


FIG. 13

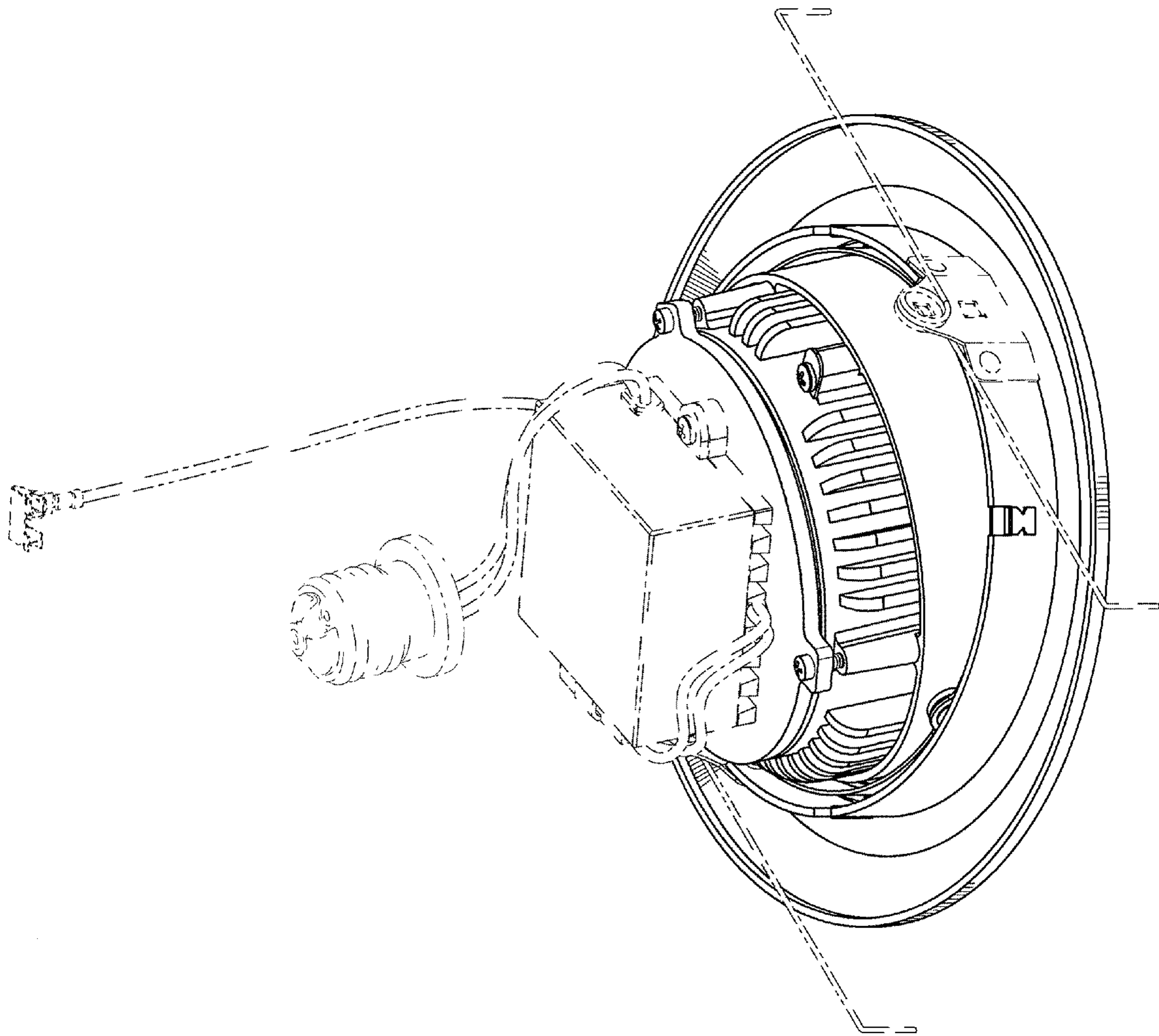


FIG. 14

UNITED STATES PATENT AND TRADEMARK OFFICE
CERTIFICATE OF CORRECTION

PATENT NO. : Des. 595,452 S
APPLICATION NO. : 29/295943
DATED : June 30, 2009
INVENTOR(S) : Zhang et al.

Page 1 of 1

It is certified that error appears in the above-identified patent and that said Letters Patent is hereby corrected as shown below:

On the Title Page, Inventors Item (75), delete “Khang” and insert --Zhang--.

Signed and Sealed this

Twenty-sixth Day of January, 2010

A handwritten signature in black ink that reads "David J. Kappos". The signature is written in a cursive, flowing style.

David J. Kappos
Director of the United States Patent and Trademark Office