



US00D595451S

(12) **United States Design Patent**  
**Lee**

(10) **Patent No.:** **US D595,451 S**  
(45) **Date of Patent:** **\*\* Jun. 30, 2009**

(54) **LENS**  
(75) Inventor: **Hsiao-Wen Lee**, Taipei Hsien (TW)  
(73) Assignee: **Bright LED Electronics Corp.** (TW)  
(\*\*) Term: **14 Years**  
(21) Appl. No.: **29/320,739**  
(22) Filed: **Jul. 2, 2008**  
(30) **Foreign Application Priority Data**  
Jan. 4, 2008 (TW) ..... 97300063

(51) **LOC (9) Cl.** ..... **26-99**  
(52) **U.S. Cl.** ..... **D26/122**  
(58) **Field of Classification Search** ..... D26/128,  
D26/28, 88, 113, 118, 123, 138, 122, 72,  
D26/74, 83, 93, 120, 129, 130, 124, 125,  
D26/85, 27; 250/493.1; 428/11; 362/241,  
362/299, 16, 17, 18, 19, 3, 7, 9, 10, 147,  
362/257, 269, 277, 285, 291, 296, 317, 329,  
362/335, 351, 356, 358, 363, 364, 368  
See application file for complete search history.

(56) **References Cited**  
U.S. PATENT DOCUMENTS  
D80,402 S \* 1/1930 Thurber et al. .... D26/128  
D114,106 S \* 4/1939 Koubek ..... D26/123  
D123,766 S \* 12/1940 Sacksteder, Jr. .... D26/128  
D124,607 S \* 1/1941 Hutt ..... D26/36  
D126,993 S \* 5/1941 Trautner ..... D26/36  
D161,830 S \* 2/1951 Grossman ..... D26/128

4,229,781 A \* 10/1980 Hitora ..... 362/274  
4,462,063 A \* 7/1984 English ..... 362/11  
D329,716 S \* 9/1992 Gismondi ..... D26/85  
D351,482 S \* 10/1994 Johnson et al. .... D26/113  
D372,995 S \* 8/1996 Huang ..... D26/28  
D439,364 S \* 3/2001 Avigor ..... D26/118  
D493,551 S \* 7/2004 Begin ..... D26/28

\* cited by examiner

*Primary Examiner*—Cathron C Brooks  
*Assistant Examiner*—Kevin K Rudzinski  
(74) *Attorney, Agent, or Firm*—Caesar, Rivise, Bernstein,  
Cohen & Pokotilow, Ltd.

(57) **CLAIM**

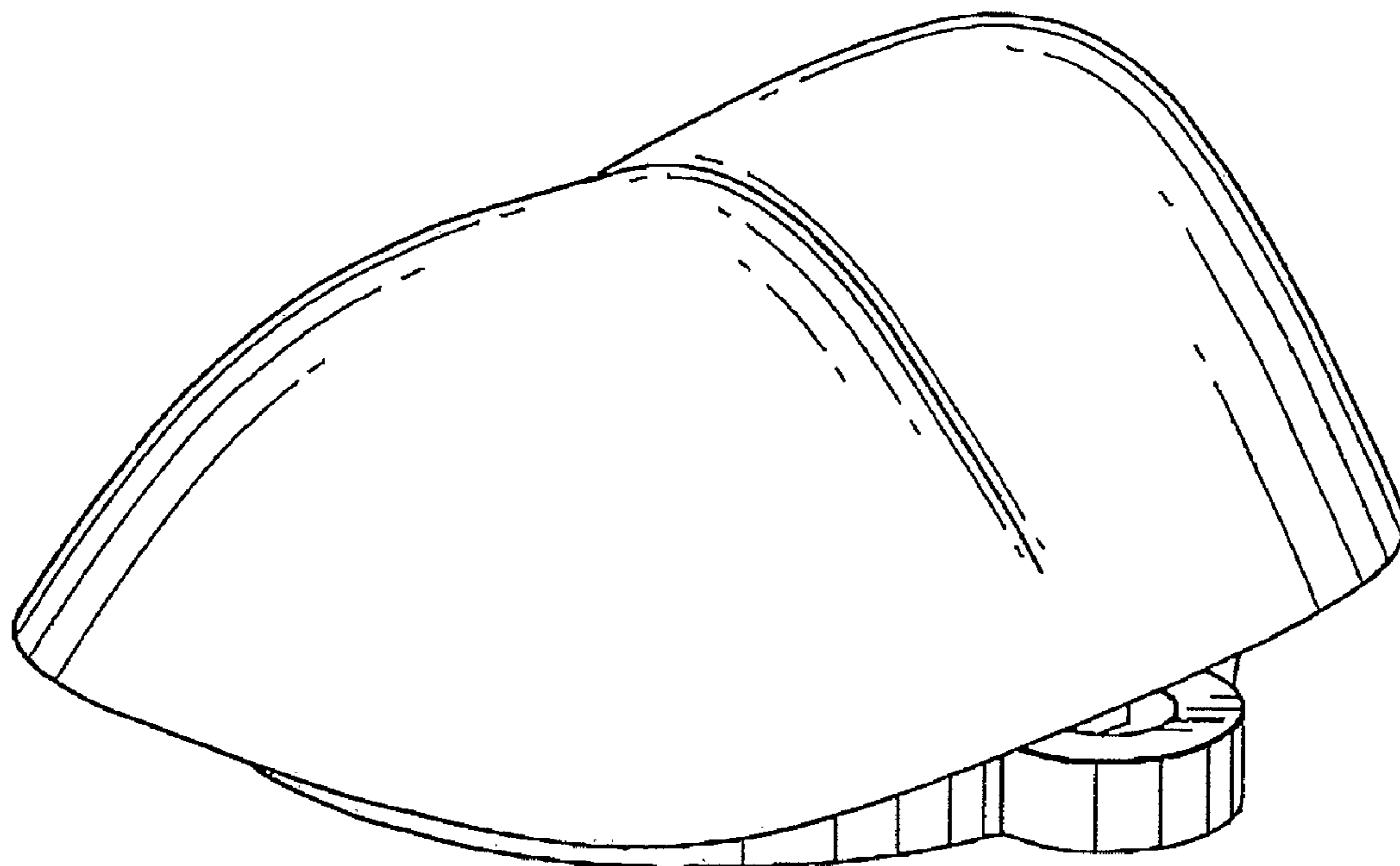
The ornamental design for lens, as shown and described.

**DESCRIPTION**

FIG. 1 is a perspective view of lens showing my new design;  
FIG. 2 is a front elevational view thereof;  
FIG. 3 is a rear elevational view thereof;  
FIG. 4 is a left side elevational view thereof;  
FIG. 5 is a right side elevational view thereof;  
FIG. 6 is a top plan view thereof;  
FIG. 7 is a bottom plan view thereof; and,  
FIG. 8 is another front view of the lens, shown in a position of  
use.

The portions shown in dashed lines are for illustrative purposes only and form no part of the claimed design.

**1 Claim, 5 Drawing Sheets**



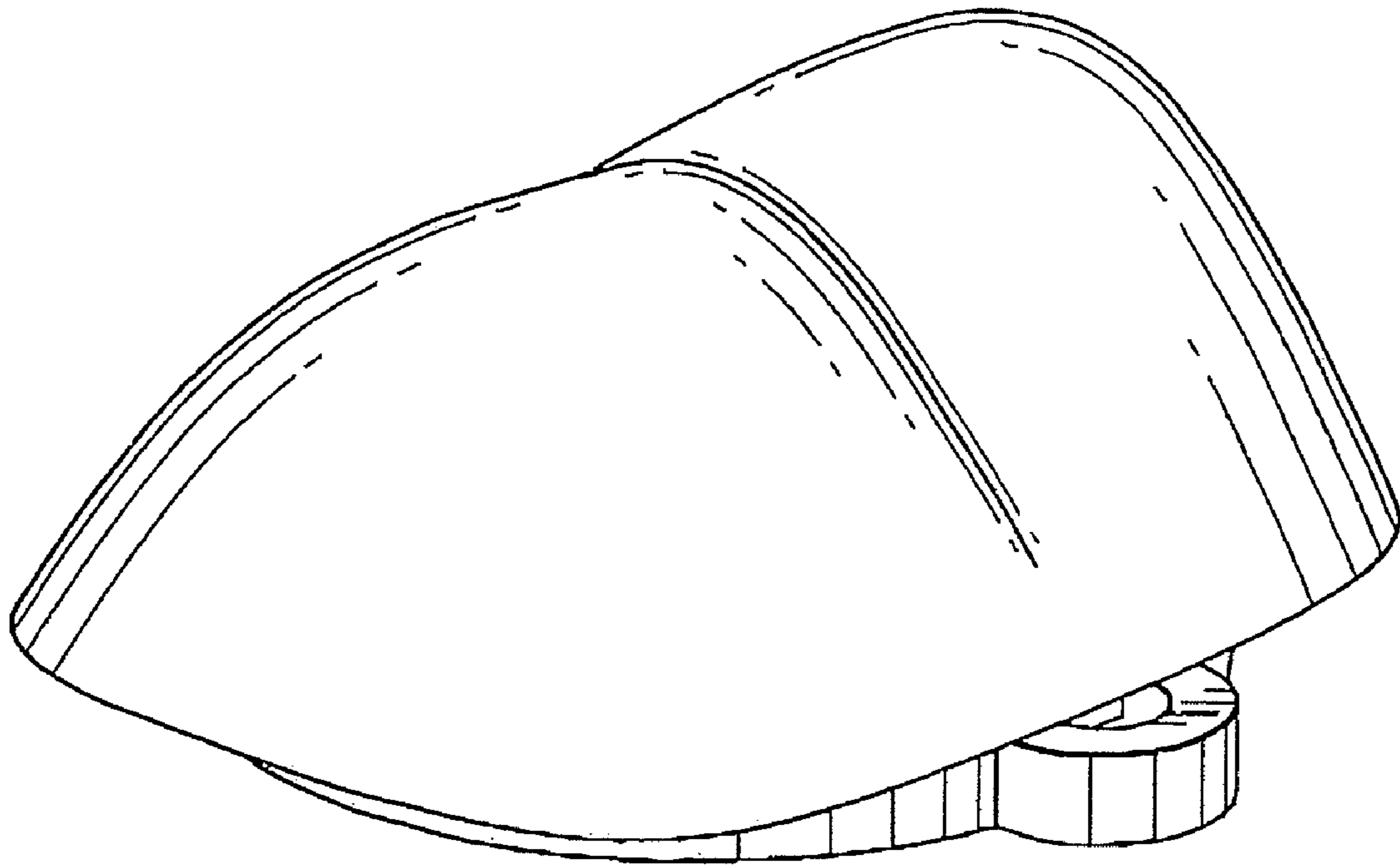


FIG. 1

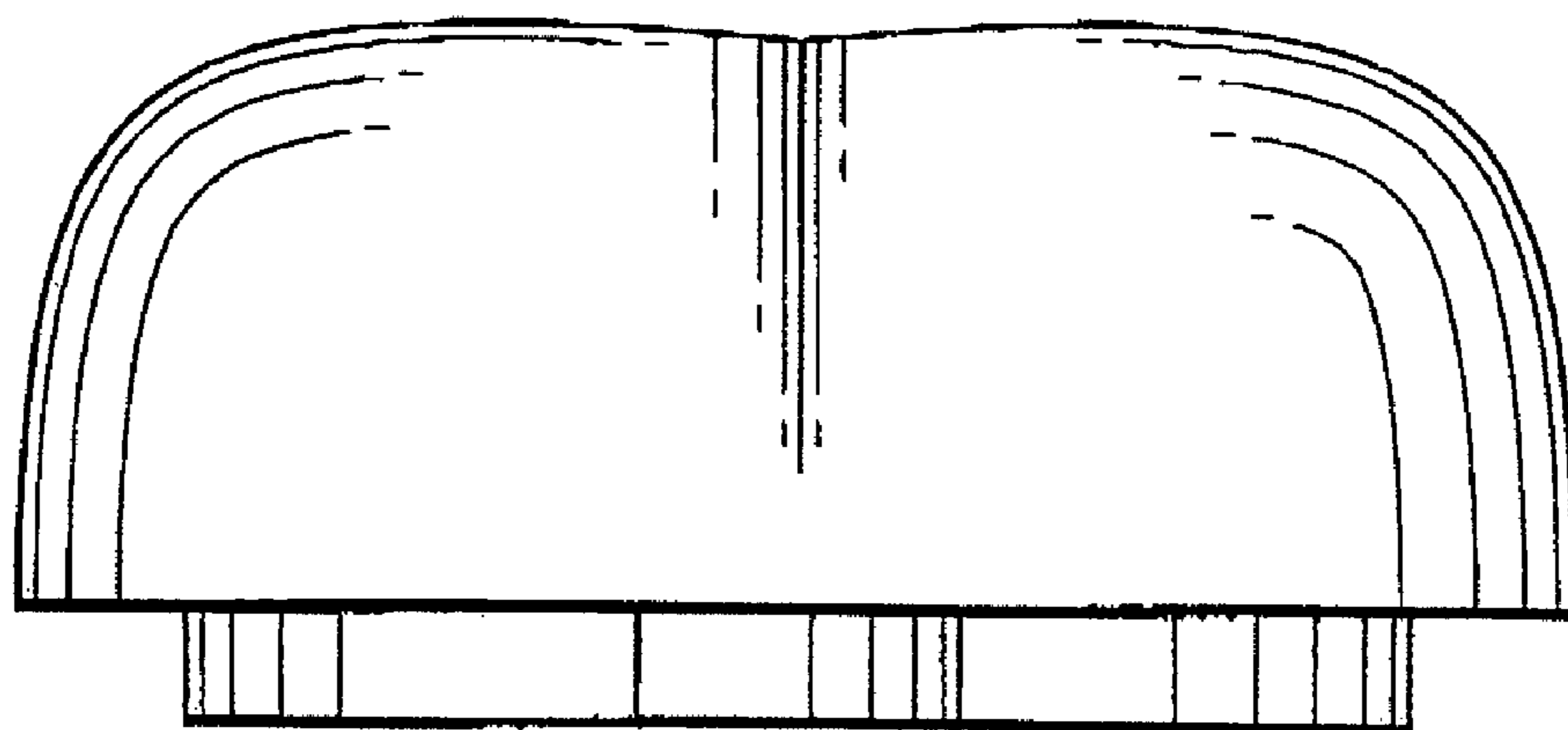


FIG. 2

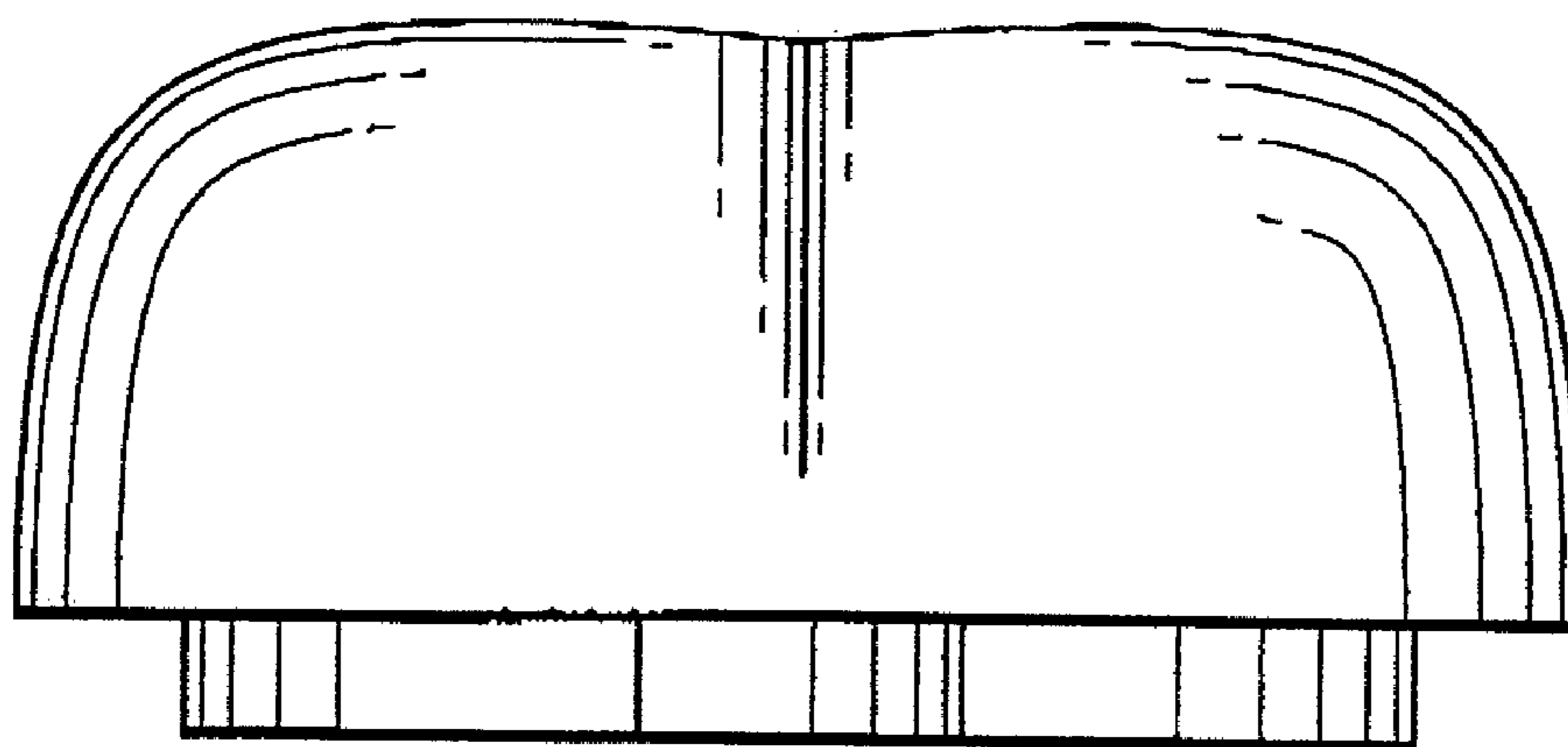


FIG. 3

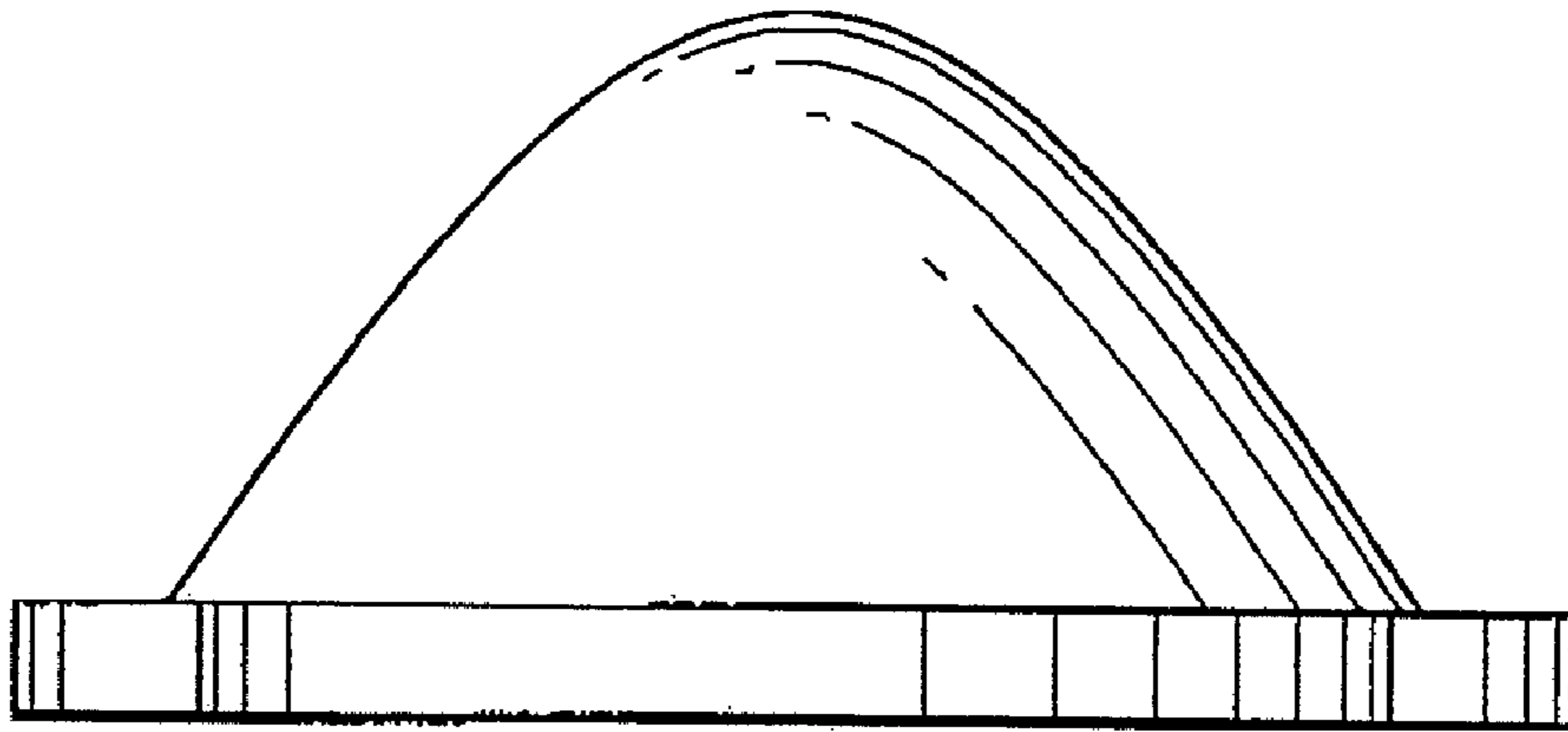


FIG. 4

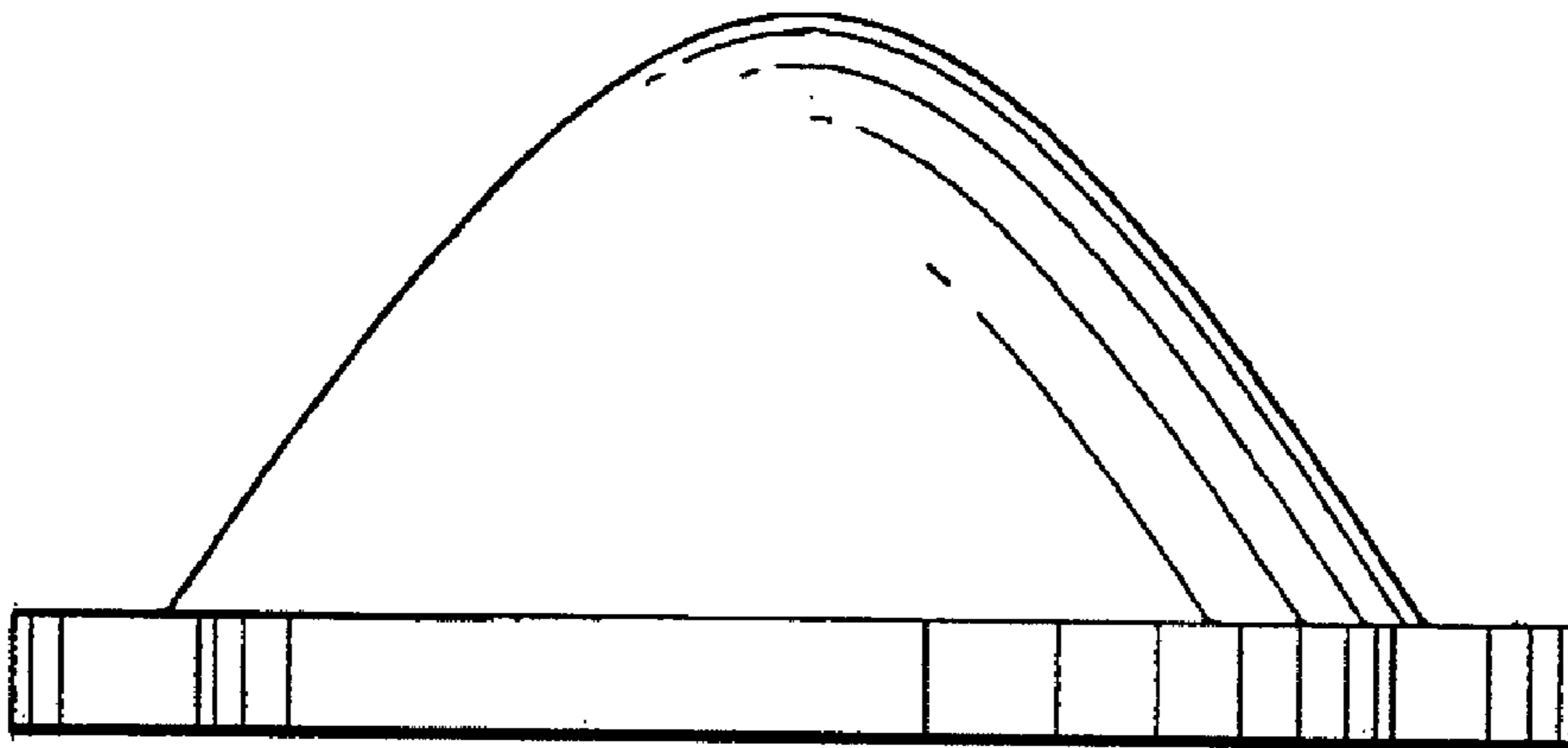


FIG. 5

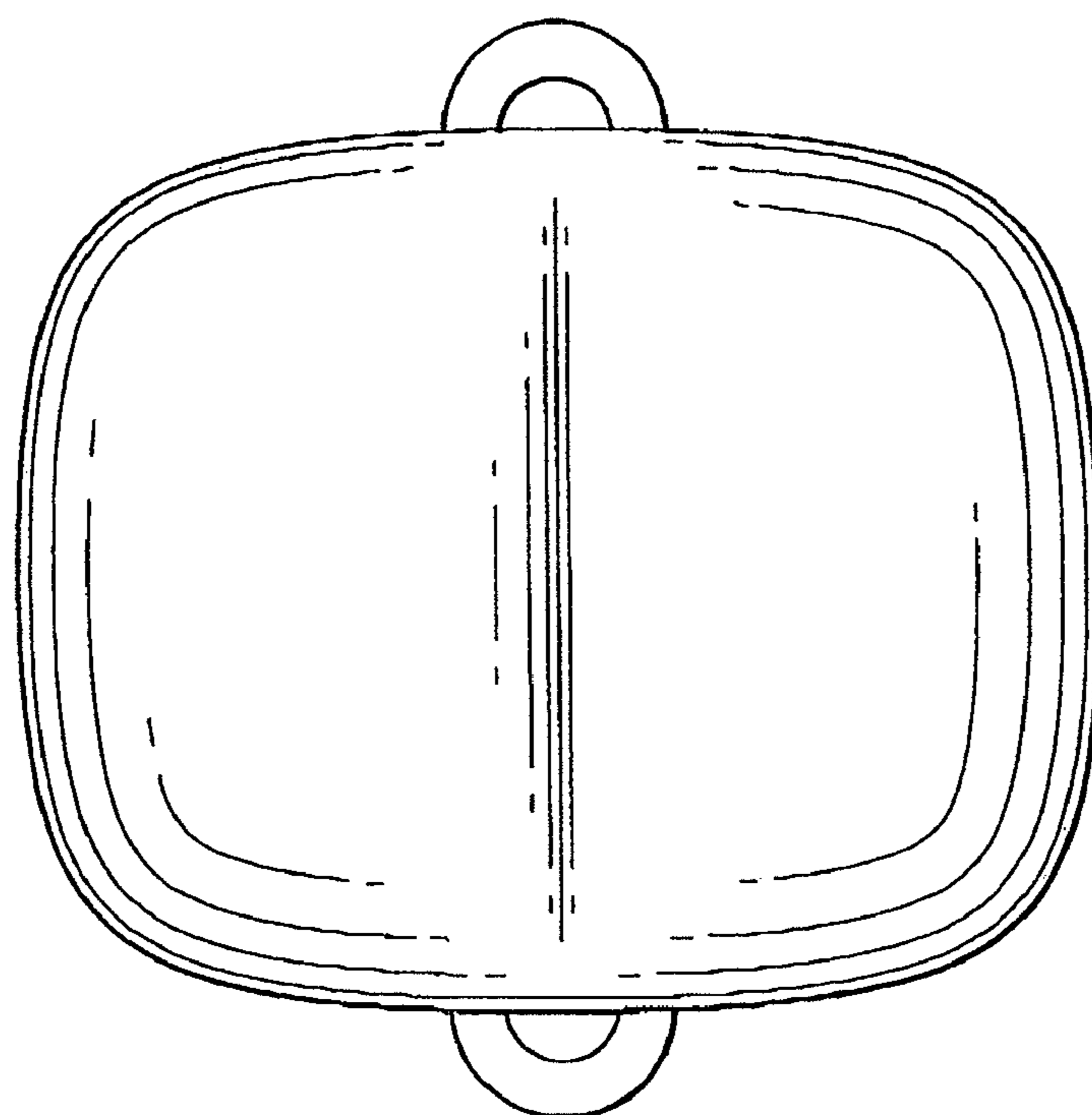


FIG. 6

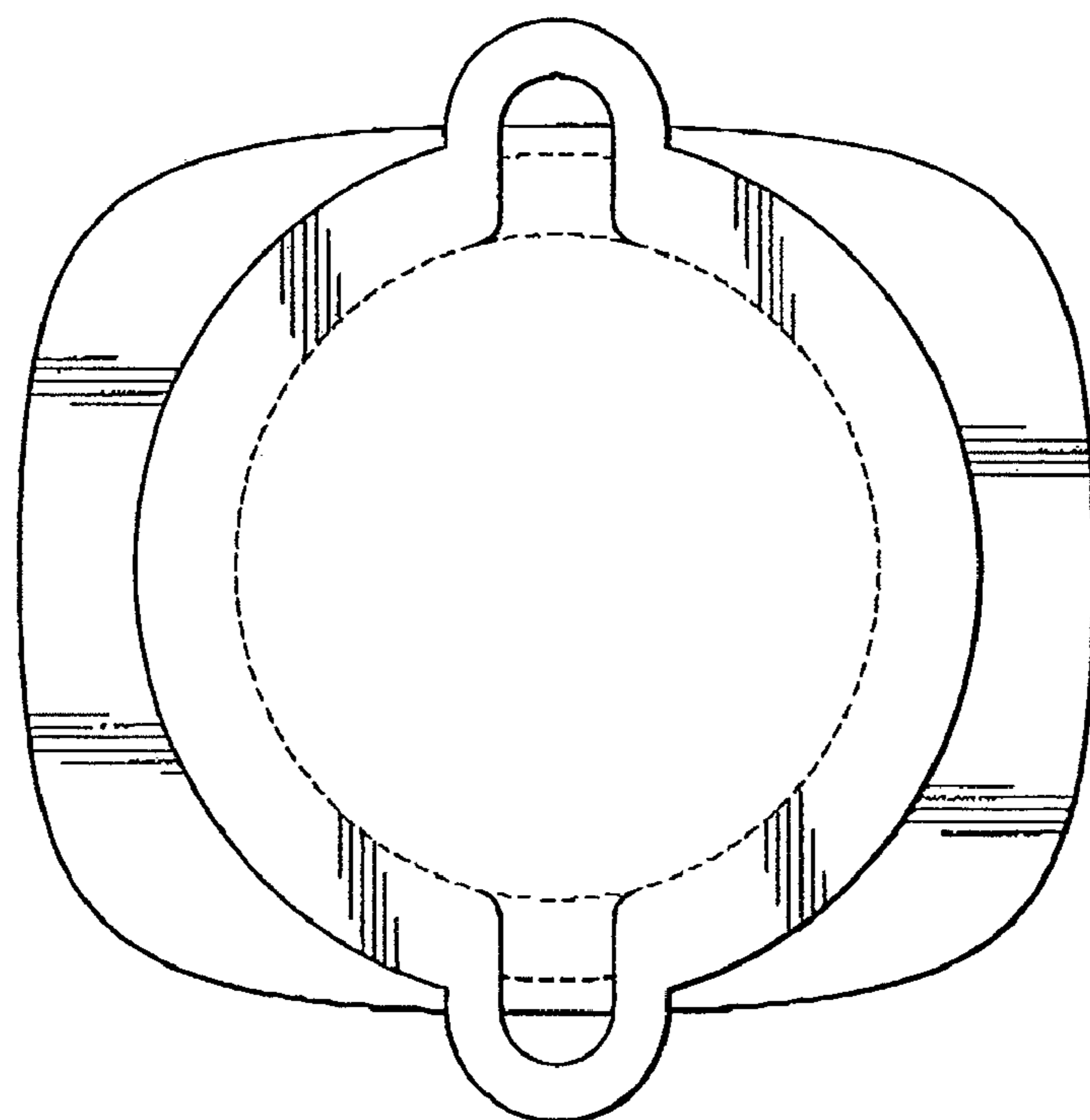


FIG. 7

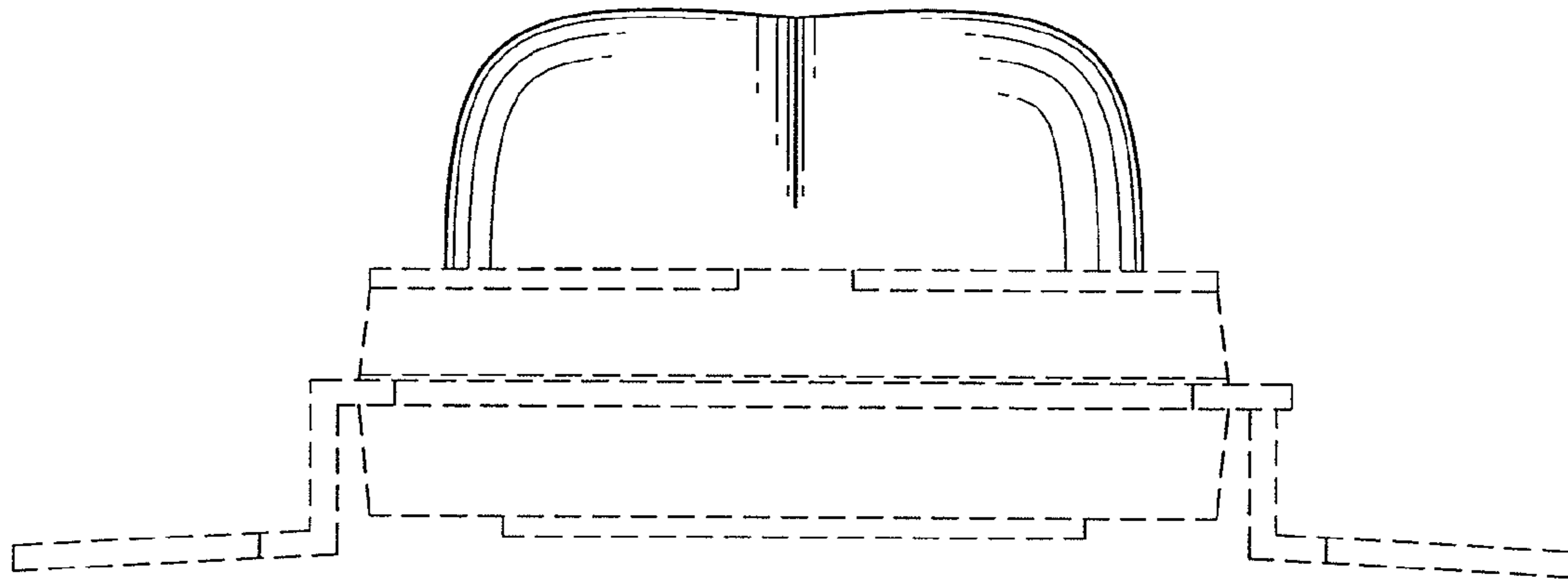


FIG. 8