



US00D595450S

(12) **United States Design Patent**
Ko et al.

(10) **Patent No.:** **US D595,450 S**
(45) **Date of Patent:** **** Jun. 30, 2009**

(54) **LED LIGHTING PANEL**

(75) Inventors: **Young-Wook Ko**, Daejeon (KR);
Choong-Yong Sohn, Cheongju-si (KR);
Gi-Wook Kang, Chungcheongbuk-do
(KR); **Bae-Wan Park**, Pohang-si (KR);
Young-Chang Kwon,
Chungcheongbuk-do (KR)

(73) Assignee: **Egnics Co., Ltd.**, Seongnam-si (KR)

(**) Term: **14 Years**

(21) Appl. No.: **29/288,694**

(22) Filed: **Jun. 19, 2007**

(30) **Foreign Application Priority Data**

Dec. 20, 2006 (KR) 30-2006-0050855

(51) **LOC (9) Cl.** **26-99**

(52) **U.S. Cl.** **D26/120**

(58) **Field of Classification Search** D26/118,
D26/120, 138, 122, 119, 88, 87, 85, 68, 63,
D26/155, 25, 60, 61, 72, 113, 128, 140, 142,
D26/149, 150, 151, 152, 129, 130, 141, 76,
D26/74, 121, 77, 75, 78, 80, 81, 82, 83, 86,
D26/89, 90, 26, 35; 362/290, 330, 267, 612,
362/555, 512, 520, 147, 182, 352, 376, 407,
362/800, 342, 600, 601, 605, 606, 607, 608,
362/632, 633, 558, 572, 573, 576, 145, 217.01,
362/218, 219, 222, 223, 224, 225, 217.02–217.05,
362/217.08, 217.09, 217.1, 217.11, 217.14,
362/217.15, 246, 248, 279, 325, 354, 355,
362/364, 366; D13/180; 52/144, 145, 220.6,
52/473; D6/580, 300, 492, 579, 301, 313,
D6/312, 311, 314, 310, 309, 308; D25/103,
D25/124, 122, 123, 125, 106, 109, 110, 138,
D25/140, 144

See application file for complete search history.

(56) **References Cited**

U.S. PATENT DOCUMENTS

D123,049 S * 10/1940 Doane D26/76
D154,058 S * 6/1949 Nitardy D26/76
2,567,561 A * 9/1951 Hoffmann 362/223
2,717,955 A * 9/1955 McGinty et al. 362/147
D188,212 S * 6/1960 Ruppe D26/120
D192,608 S * 4/1962 Cooke D26/76
3,038,065 A * 6/1962 Franck et al. 362/330
3,153,304 A * 10/1964 Evangelista 52/144
D201,091 S * 5/1965 Meyer D26/122
D212,899 S * 12/1968 Vesely et al. D26/24
D215,341 S * 9/1969 Mulvey D26/122

(Continued)

Primary Examiner—Cathron C Brooks

Assistant Examiner—Kevin K Rudzinski

(74) *Attorney, Agent, or Firm*—Knobbe Martens Olson &
Bear, LLP

(57) **CLAIM**

The ornamental design for an LED lighting panel, as shown
and described.

DESCRIPTION

FIG. 1 is a perspective view of the LED lighting panel;

FIG. 2 is a front view thereof;

FIG. 3 is a left side view thereof;

FIG. 4 is a right side view thereof;

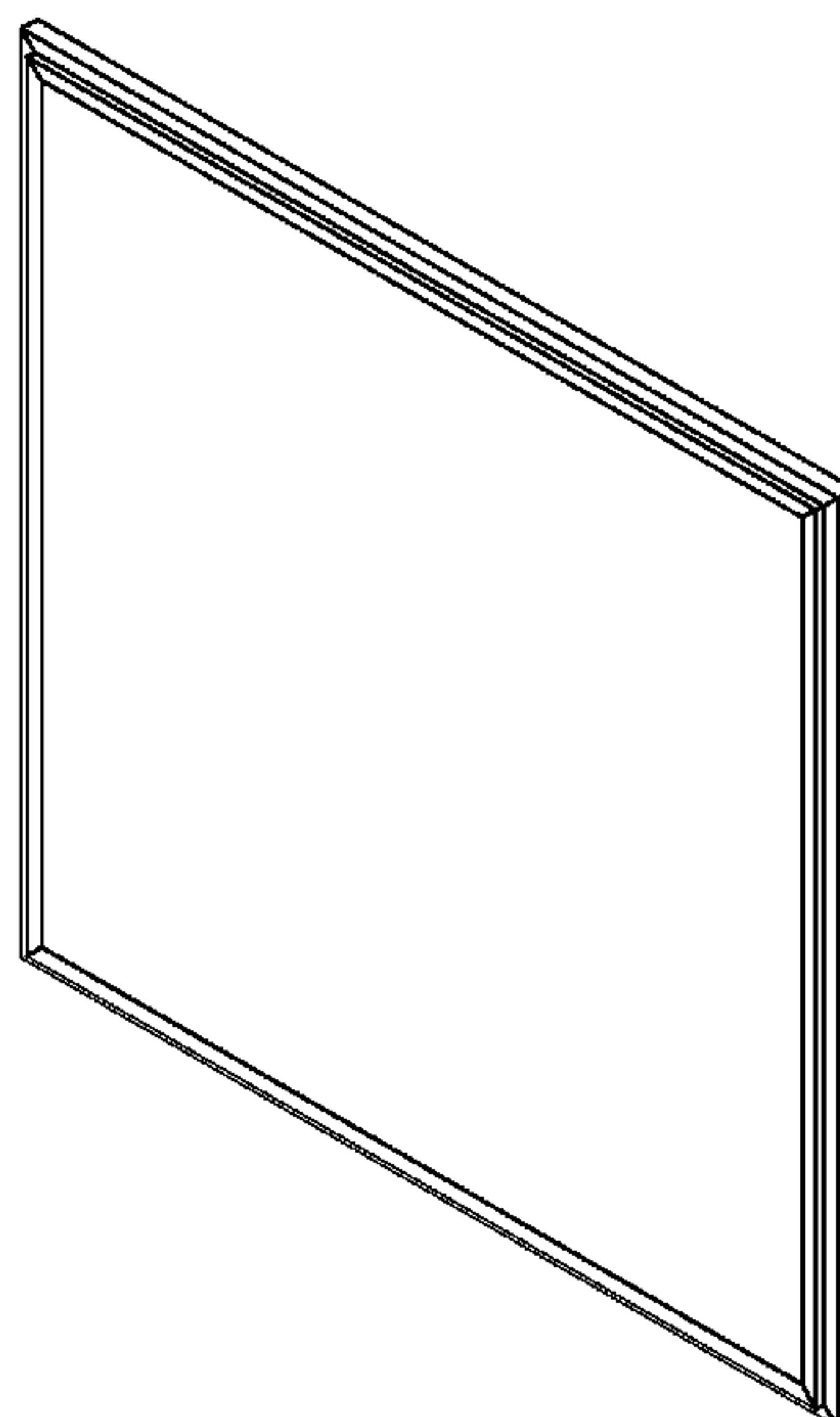
FIG. 5 is a top view thereof;

FIG. 6 is a bottom view thereof; and,

FIG. 7 is a perspective view thereof, illustrating the LED
lighting panel in use.

The broken lines shown are included for the purpose of illus-
trating environment and form no part of the claimed design.

1 Claim, 7 Drawing Sheets



US D595,450 S

Page 2

U.S. PATENT DOCUMENTS

D234,800	S	*	4/1975	Swartz	D26/24	D441,117	S	*	4/2001	Grimm	D26/76
3,948,155	A	*	4/1976	Hedrick	454/296	6,755,550	B1	*	6/2004	Lackey	362/147
4,428,454	A	*	1/1984	Capaul et al.	181/290	6,807,785	B2	*	10/2004	Lynch et al.	52/506.06
D285,505	S	*	9/1986	Billiet	D6/300	6,895,705	B2	*	5/2005	Hillstrom et al.	40/546
4,638,616	A	*	1/1987	Fredericks	52/204.591	2001/0022721	A1	*	9/2001	Konomi	362/29
4,680,685	A	*	7/1987	Altman	362/240	2003/0031011	A1	*	2/2003	Miller et al.	362/150
5,172,976	A	*	12/1992	Bogdanovs	362/374	2006/0002107	A1	*	1/2006	Jeong	362/225
5,295,221	A	*	3/1994	Roslan	385/147	2006/0171148	A1	*	8/2006	Huang	362/249
5,390,461	A	*	2/1995	Dwyer	52/506.03	2007/0133193	A1	*	6/2007	Kim	362/147
D365,535	S	*	12/1995	Muckler	D11/132	2007/0247850	A1	*	10/2007	Hawkins et al.	362/267

* cited by examiner

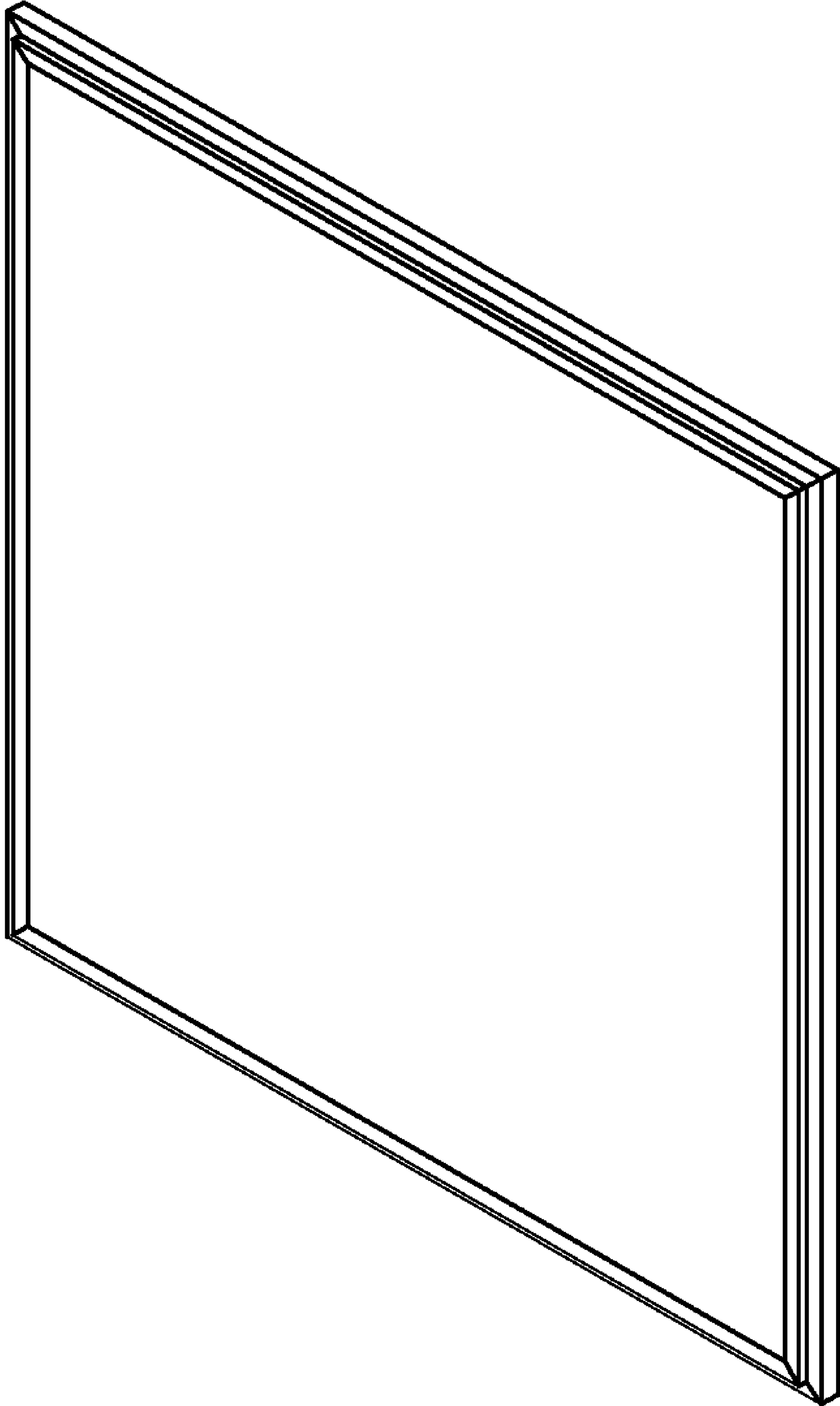


FIG. 1

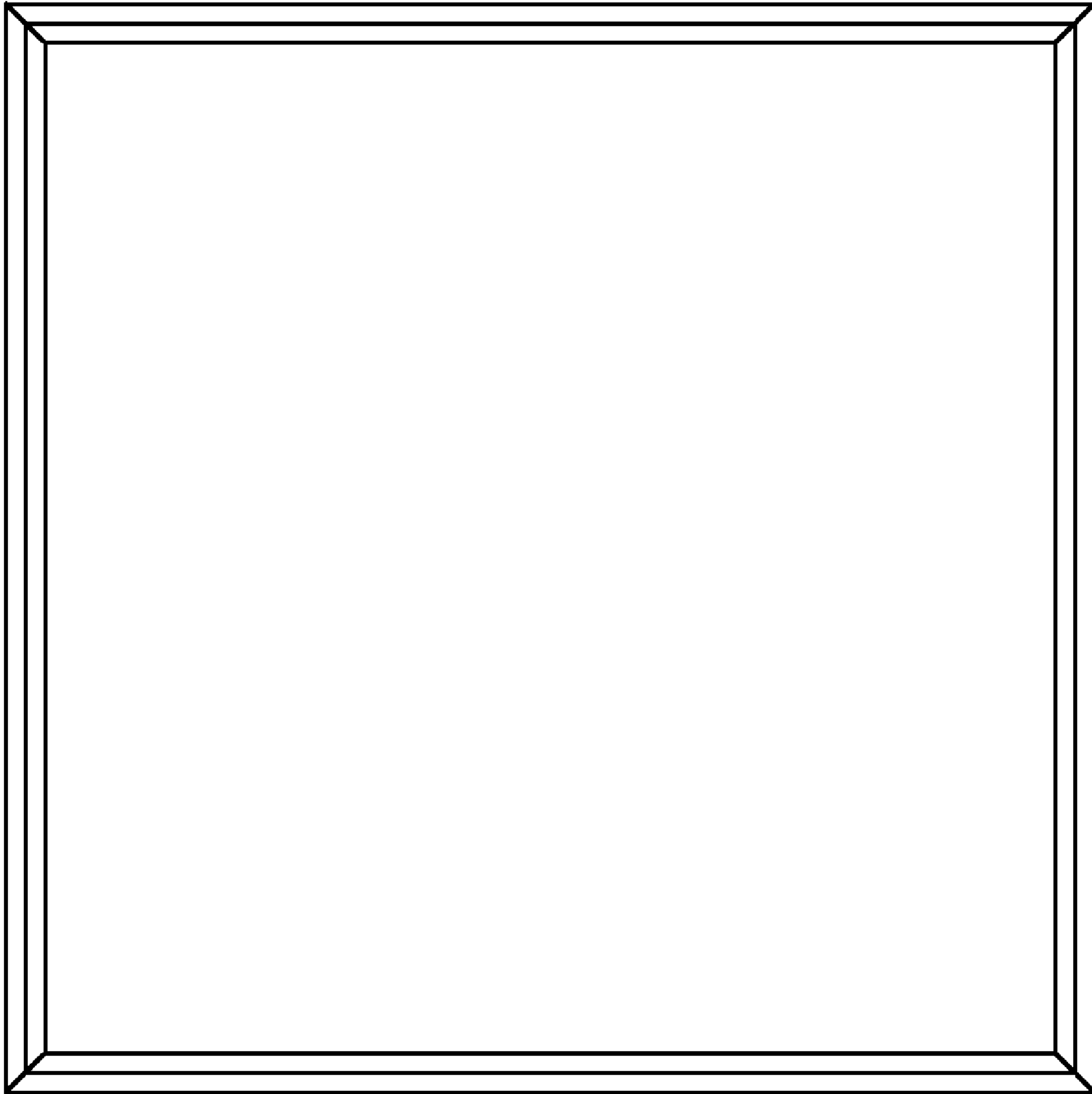


FIG. 2



FIG. 3



FIG. 4

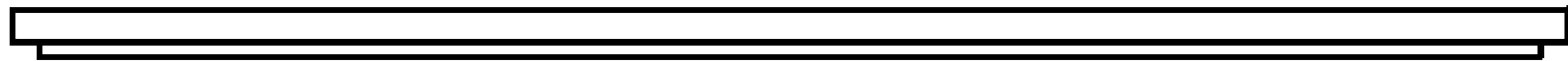


FIG. 5



FIG. 6

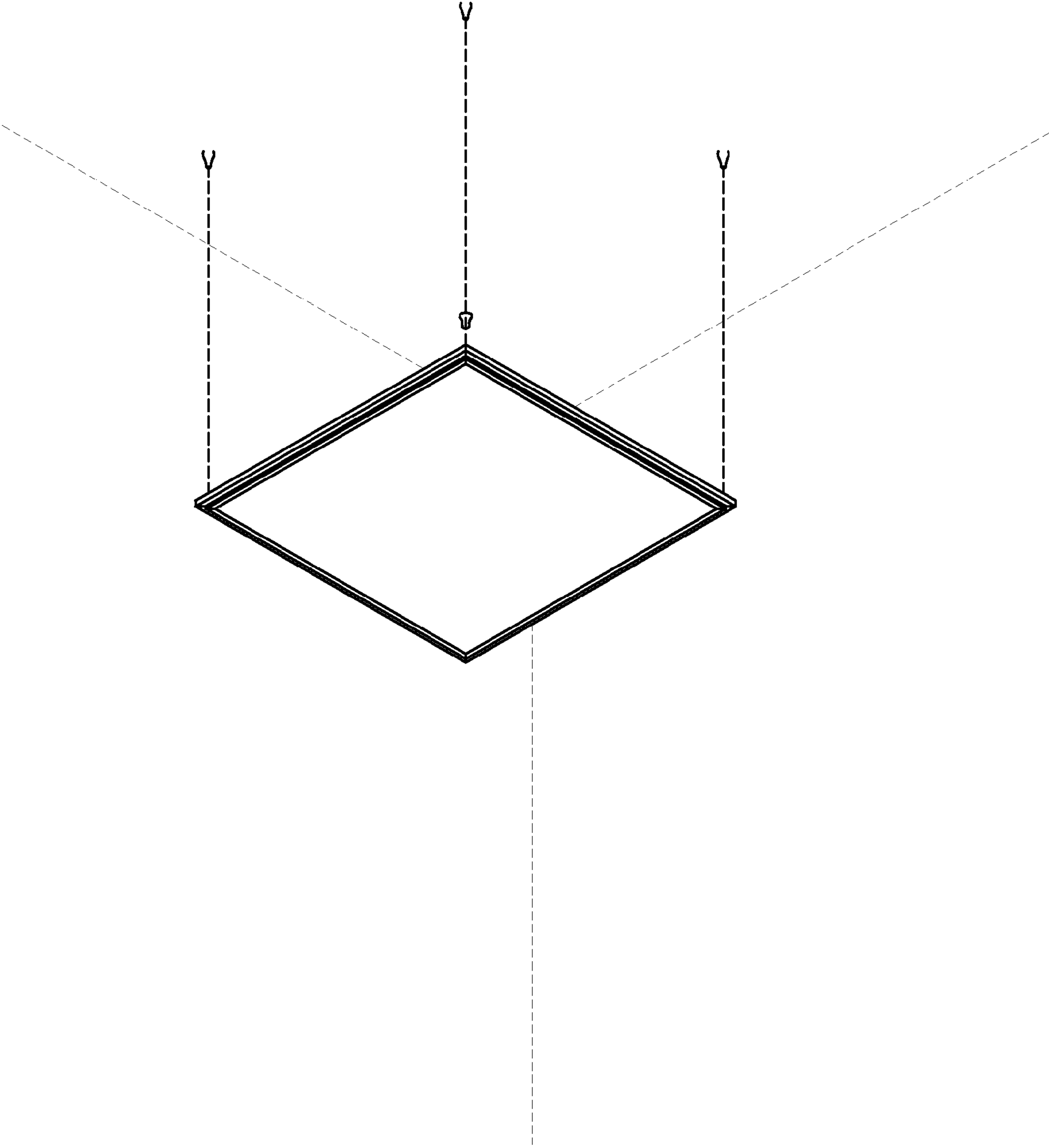


FIG. 7