



US00D595446S

(12) **United States Design Patent**  
**Pedersen**

(10) **Patent No.:** **US D595,446 S**  
(45) **Date of Patent:** **\*\* Jun. 30, 2009**

(54) **LIGHTING FIXTURE**

(75) Inventor: **William Pedersen**, New York, NY (US)

(73) Assignee: **Ivalo Lighting, Inc.**, Coopersburg, PA (US)

(\*\*) Term: **14 Years**

(21) Appl. No.: **29/294,699**

(22) Filed: **Jan. 24, 2008**

**Related U.S. Application Data**

(62) Division of application No. 29/228,456, filed on Apr. 21, 2005, now Pat. No. Des. 565,778.

(51) **LOC (9) Cl.** ..... **26-03**

(52) **U.S. Cl.** ..... **D26/84**

(58) **Field of Classification Search** ..... D26/71,  
D26/72, 80-82, 84-86, 88, 90, 91, 75, 76;  
362/147, 404-408, 223, 225

See application file for complete search history.

(56) **References Cited**

**U.S. PATENT DOCUMENTS**

D331,987 S	12/1992	Dieperink et al.	
D401,000 S *	11/1998	Herst	D26/76
D421,146 S	2/2000	Poulton	
6,161,939 A	12/2000	Bansbach	
D446,333 S	8/2001	Fröis	
D452,030 S	12/2001	Collver	
6,386,723 B1	5/2002	Eberlein et al.	

D459,014 S *	6/2002	Chen	D26/85
D465,049 S	10/2002	Ludwig	
D466,244 S	11/2002	Lewis et al.	
D477,105 S *	7/2003	Herst et al.	D26/76
D483,510 S *	12/2003	Fritze et al.	D26/75
D511,221 S	11/2005	Zucker	
D514,731 S *	2/2006	Engel	D26/88
D575,892 S *	8/2008	Chandler	D26/84
2006/0158879 A1 *	7/2006	Clark et al.	362/223

\* cited by examiner

*Primary Examiner*—Clare E Heflin

(74) *Attorney, Agent, or Firm*—Ostrolenk, Faber, Gerb & Soffen, LLP

(57) **CLAIM**

The ornamental design for a lighting fixture, as shown and described.

**DESCRIPTION**

FIG. 1 is a top isometric view of a lighting fixture showing the new design;

FIG. 2 is a bottom isometric view thereof;

FIG. 3 is a front elevation view thereof;

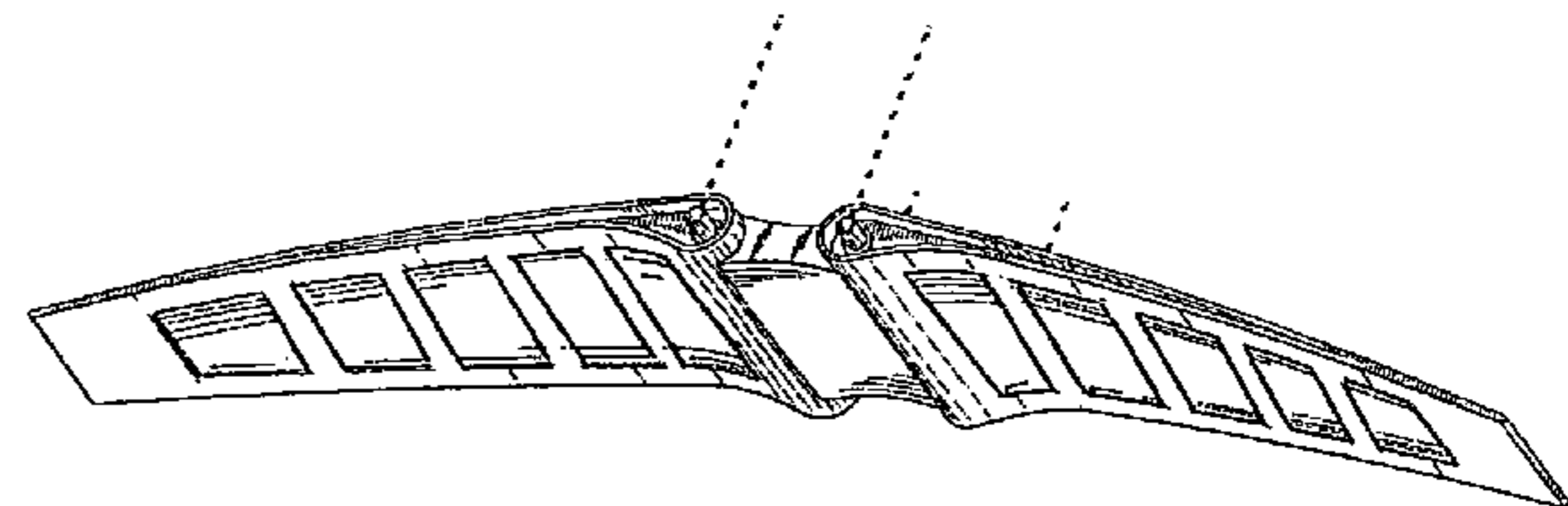
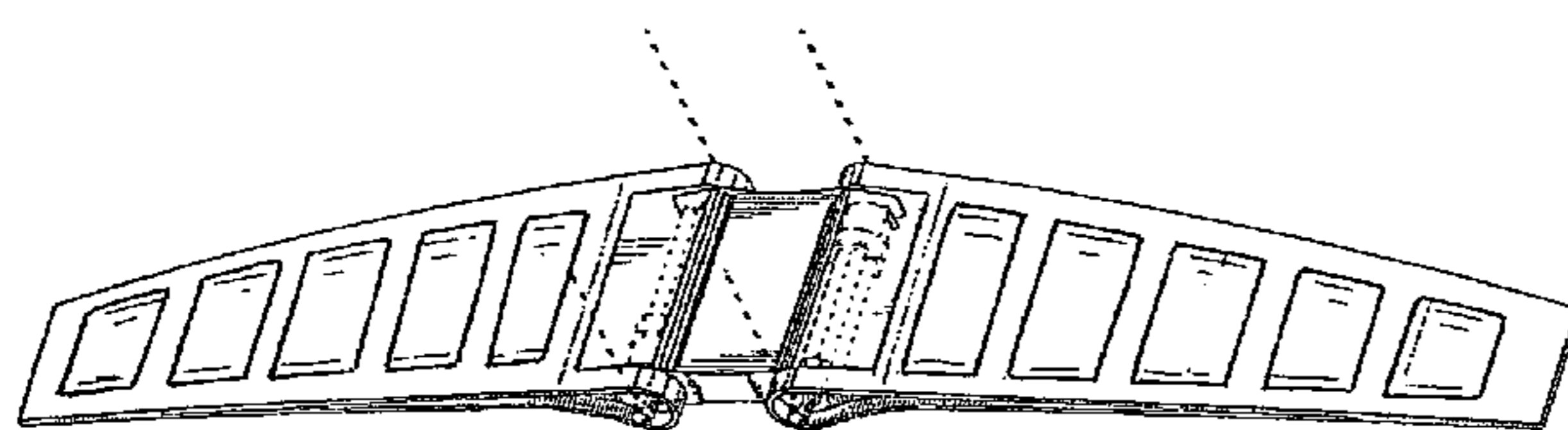
FIG. 4 is a right side elevation view thereof;

FIG. 5 is a bottom plan view thereof; and,

FIG. 6 is a top plan view thereof.

The broken lines shown on the drawings are for illustrative purposes only and form no part of the claimed design.

**1 Claim, 3 Drawing Sheets**



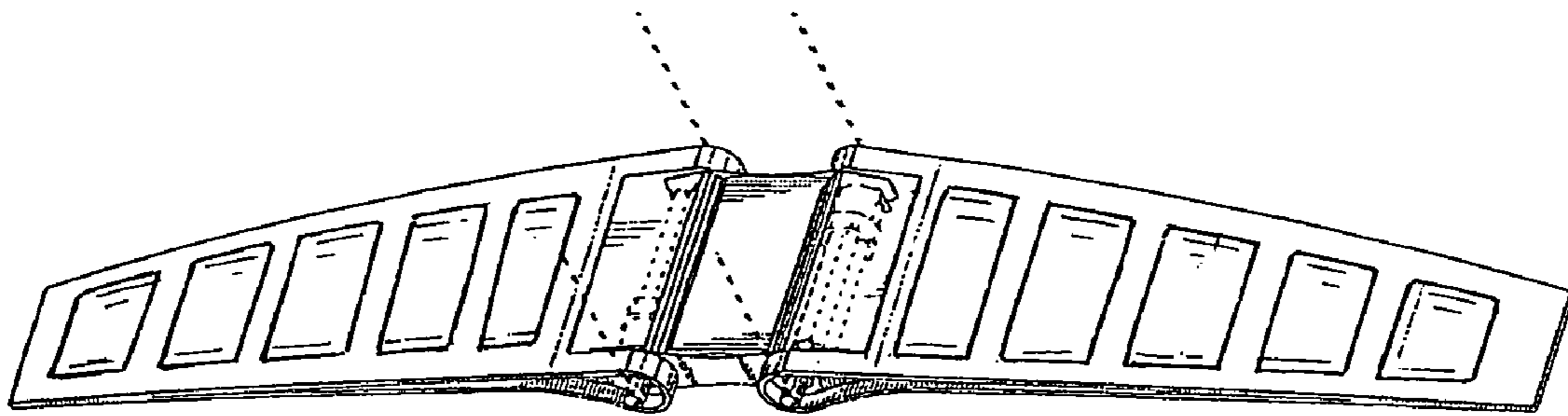


FIG. 1

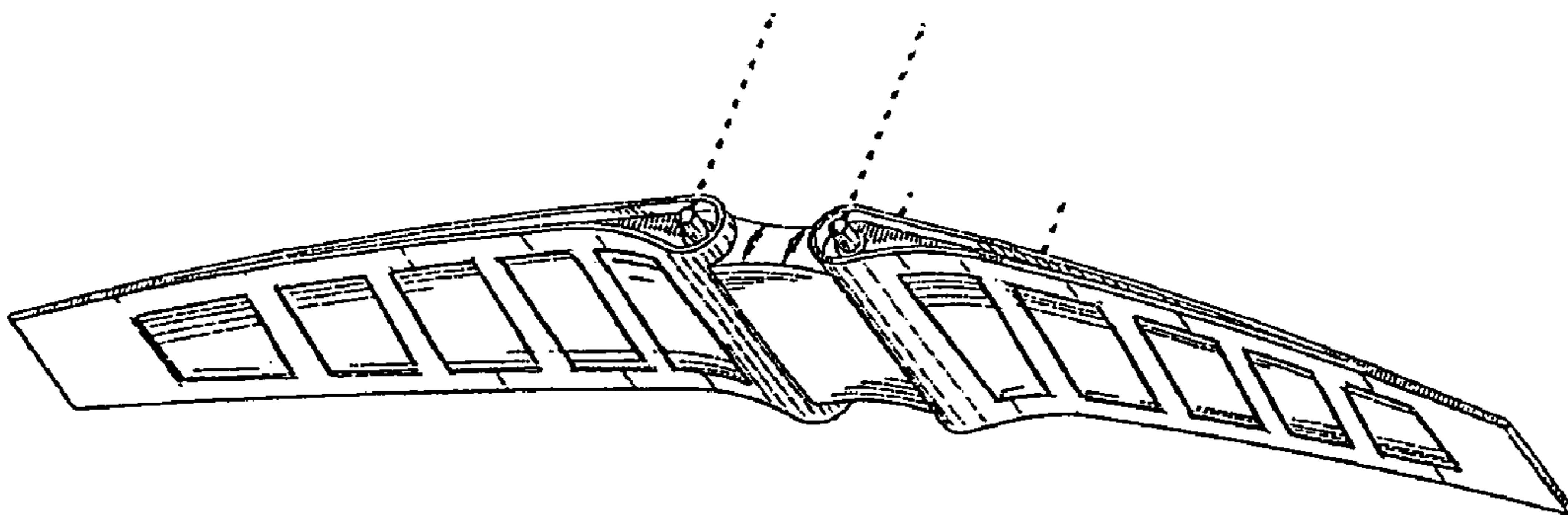


FIG. 2

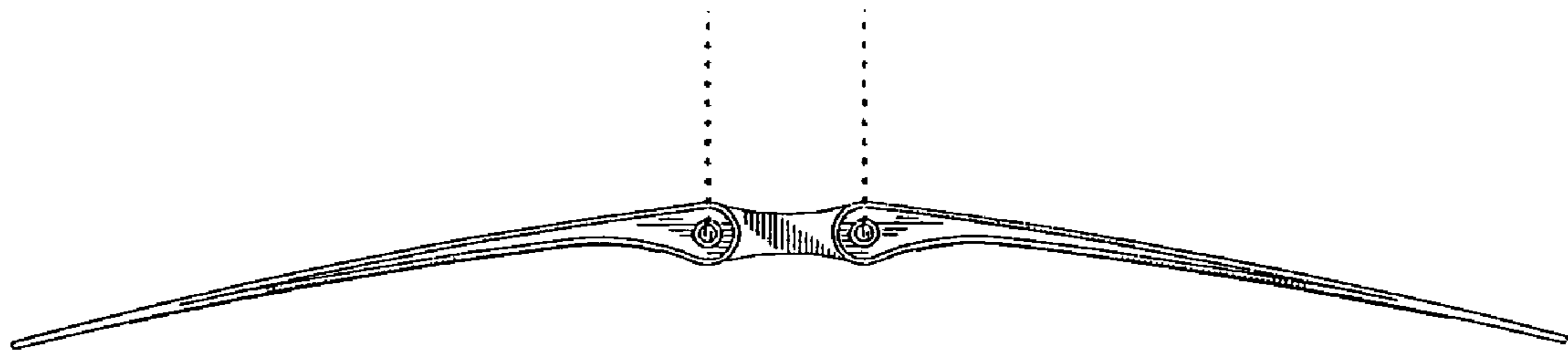


FIG. 3

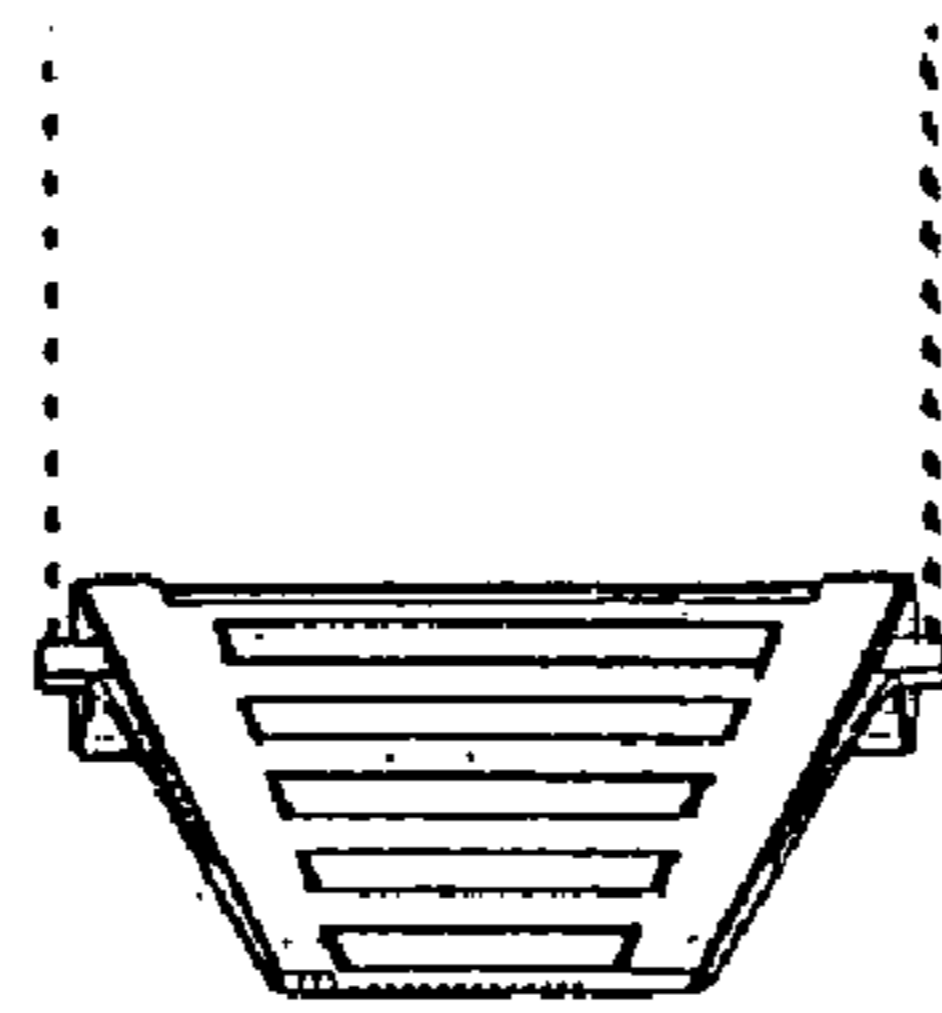


FIG. 4

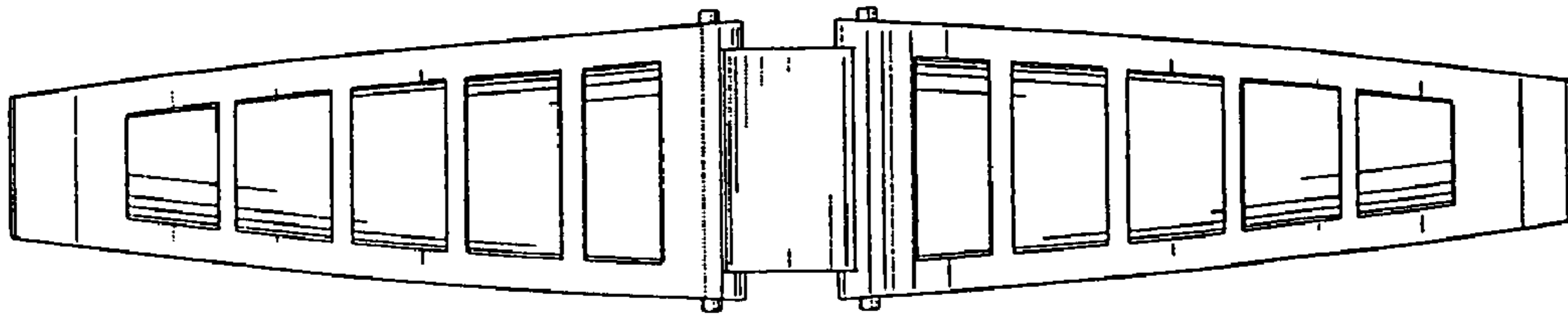


FIG. 5

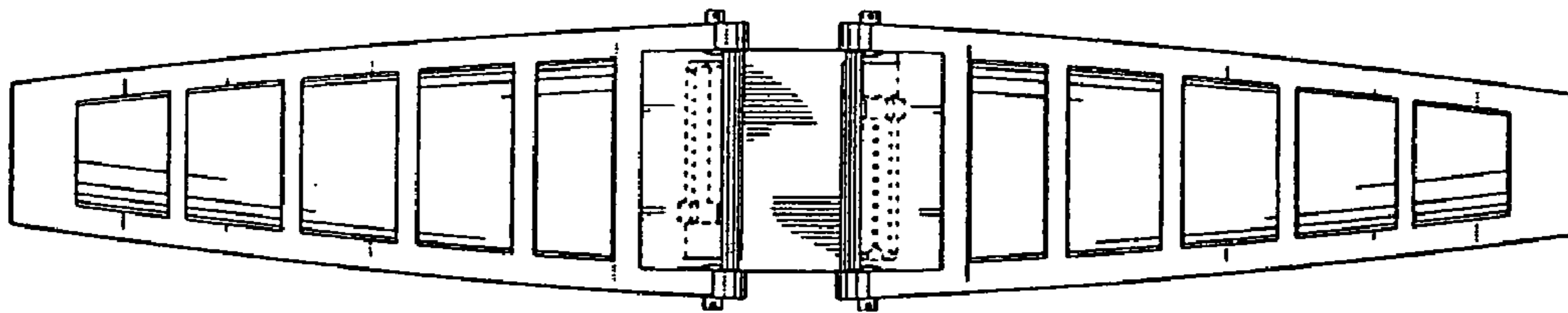


FIG. 6