



US00D595445S

(12) **United States Design Patent**
Günter

(10) **Patent No.:** **US D595,445 S**

(45) **Date of Patent:** **** Jun. 30, 2009**

(54) **LED LIGHTING DEVICE**

(75) Inventor: **Gregor Günter**, Aachen (DE)

(73) Assignee: **Koninklijke Philips Electronics N.V.**,
Eindhoven (NL)

(**) Term: **14 Years**

(21) Appl. No.: **29/322,721**

(22) Filed: **Aug. 11, 2008**

(30) **Foreign Application Priority Data**

Feb. 13, 2008 (EM) 000877840-0001

(51) **LOC (9) Cl.** **26-03**

(52) **U.S. Cl.** **D26/76**

(58) **Field of Classification Search** D26/24-28,
D26/37, 63, 67-68, 72, 74-78, 80, 85, 88,
D26/89, 104, 108, 118, 120-122; 362/17,
362/132, 145, 147-150, 157, 217-225, 228,
362/260, 262-264, 267, 294, 310, 345, 364,
362/249, 365, 368, 432, 440; D10/111, 114
See application file for complete search history.

(56) **References Cited**

U.S. PATENT DOCUMENTS

2,290,301 A * 7/1942 Stair 362/225
D146,983 S * 6/1947 Phillips D12/44
D179,451 S * 12/1956 Hindle D8/377

3,437,802 A * 4/1969 Intrator 362/218
D255,941 S * 7/1980 Grant D26/76
4,625,266 A * 11/1986 Winter 362/146
4,723,199 A * 2/1988 Freed et al. 362/219
D438,135 S * 2/2001 DiDomizio et al. D10/111
6,416,200 B1 * 7/2002 George 362/146
6,606,827 B1 * 8/2003 Hoffmann 52/28
D493,009 S * 7/2004 Ken D26/51
D507,903 S * 8/2005 Pingel D6/491
D580,579 S * 11/2008 Love et al. D26/67

* cited by examiner

Primary Examiner—Robert M. Spear

Assistant Examiner—Susan E Krakower

(57) **CLAIM**

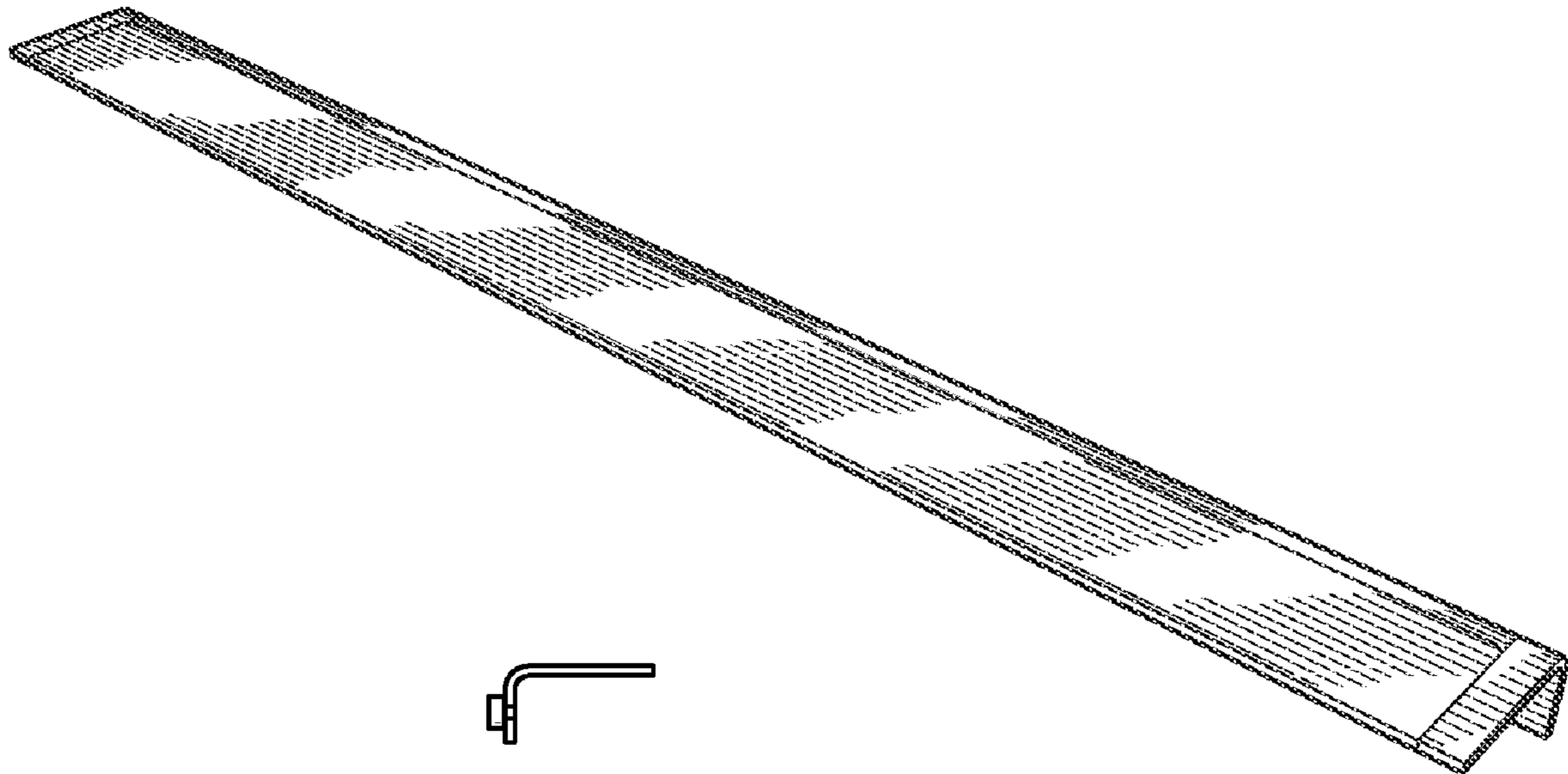
The ornamental design for a LED lighting device, as shown.

DESCRIPTION

FIG. 1 is a perspective view showing my design;
FIG. 2 is a front elevational view thereof;
FIG. 3 is a rear elevational view thereof;
FIG. 4 is a right side elevational view thereof;
FIG. 5 is a left side elevational view thereof;
FIG. 6 is a top plan view thereof; and,
FIG. 7 is a bottom plan view thereof.

The broken lines in the drawings represent environmental subject matter and form no part of the claimed design.

1 Claim, 2 Drawing Sheets



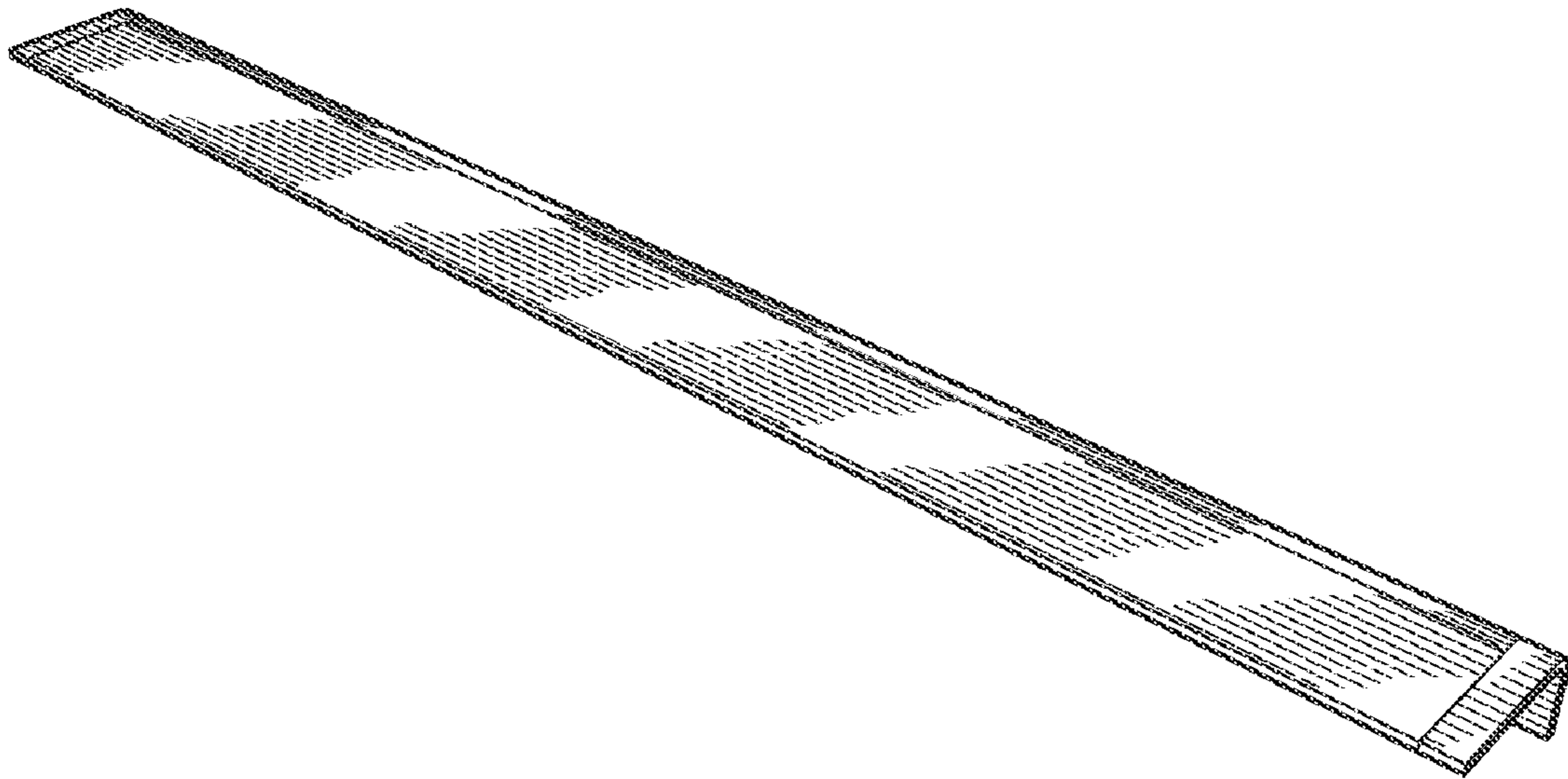


FIG. 1

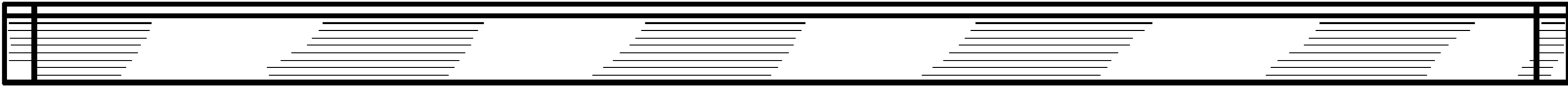


FIG. 2

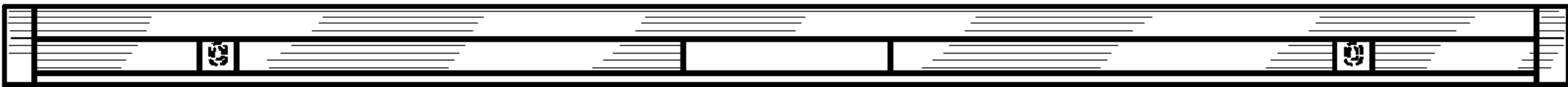


FIG. 3



FIG. 4

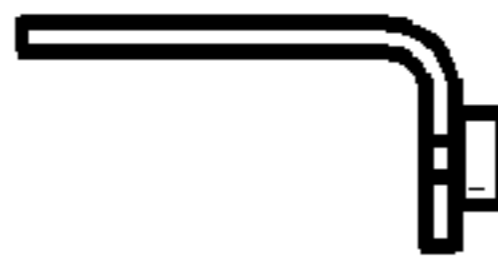


FIG. 5

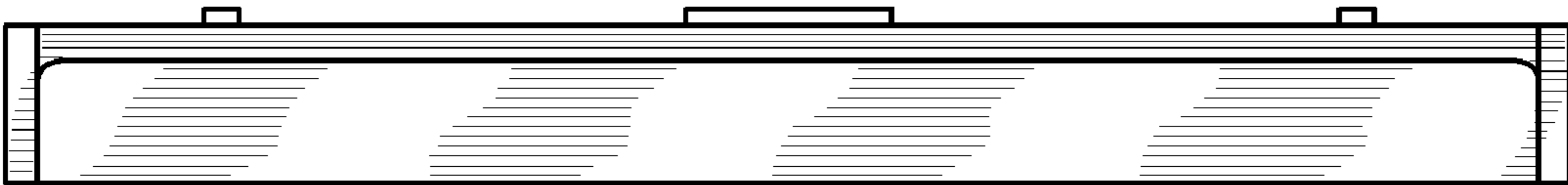


FIG. 6

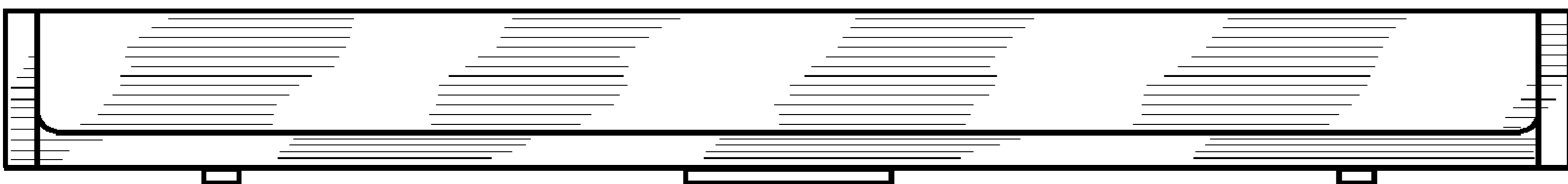


FIG. 7