

US00D595444S

(12) **United States Design Patent**
Shimomura

(10) **Patent No.:** **US D595,444 S**
(45) **Date of Patent:** **** Jun. 30, 2009**

(54) **LED LAMP**

(75) Inventor: **Shinji Shimomura**, Tottori (JP)

(73) Assignees: **Sanyo Electric Co., Ltd.**, Moriguchi-shi (JP); **Sanyo Consumer Electronics Co., Ltd.**, Tottori (JP)

(**) Term: **14 Years**

(21) Appl. No.: **29/303,165**

(22) Filed: **Feb. 1, 2008**

(30) **Foreign Application Priority Data**

Aug. 1, 2007 (JP) 2007-021007

(51) **LOC (9) Cl.** **26-03**

(52) **U.S. Cl.** **D26/76; D26/78**

(58) **Field of Classification Search** D26/2, D26/24, 35, 61, 7, 72, 74-79, 81-92, 118, D26/122; 362/147, 217-225, 132, 260-263, 362/267, 283, 337, 347, 364; 43/113; D23/372, D23/328, 385; D14/209; 52/98
See application file for complete search history.

(56) **References Cited**

U.S. PATENT DOCUMENTS

2,227,739	A *	1/1941	Pollard	362/217
D127,823	S *	6/1941	Biller	D26/78
D130,059	S *	10/1941	Herr	D26/78
2,348,930	A *	5/1944	Schepmoes	362/224
D142,429	S *	9/1945	Lepore	D26/78
2,505,864	A *	5/1950	Kelman	200/51.07
D163,762	S *	6/1951	McCann	D26/76
2,595,520	A *	5/1952	Guerin	362/260
3,996,493	A *	12/1976	Davenport et al.	315/58
D274,657	S *	7/1984	Herst et al.	D26/76
D330,269	S *	10/1992	Hong	D26/76
D348,947	S *	7/1994	Holcomb	D26/76
D356,382	S *	3/1995	Jaksich	D26/75
D371,858	S *	7/1996	Waldmann	D26/76
5,727,869	A *	3/1998	Crosby et al.	362/217

5,765,939	A *	6/1998	Tanner, Jr.	362/219
D396,122	S *	7/1998	Noh	D26/76
5,906,427	A *	5/1999	Noh	362/223

(Continued)

FOREIGN PATENT DOCUMENTS

JP	D1139334	S	4/2002
JP	D1148037	S	7/2002
JP	D1148041	S	7/2002
JP	D1285551		9/2006
JP	D1301092		4/2007
JP	D1301114		5/2007

Primary Examiner—Robert M. Spear
Assistant Examiner—Susan E Krakower

(74) *Attorney, Agent, or Firm*—Westerman, Hattori, Daniels & Adrian, LLP.

(57) **CLAIM**

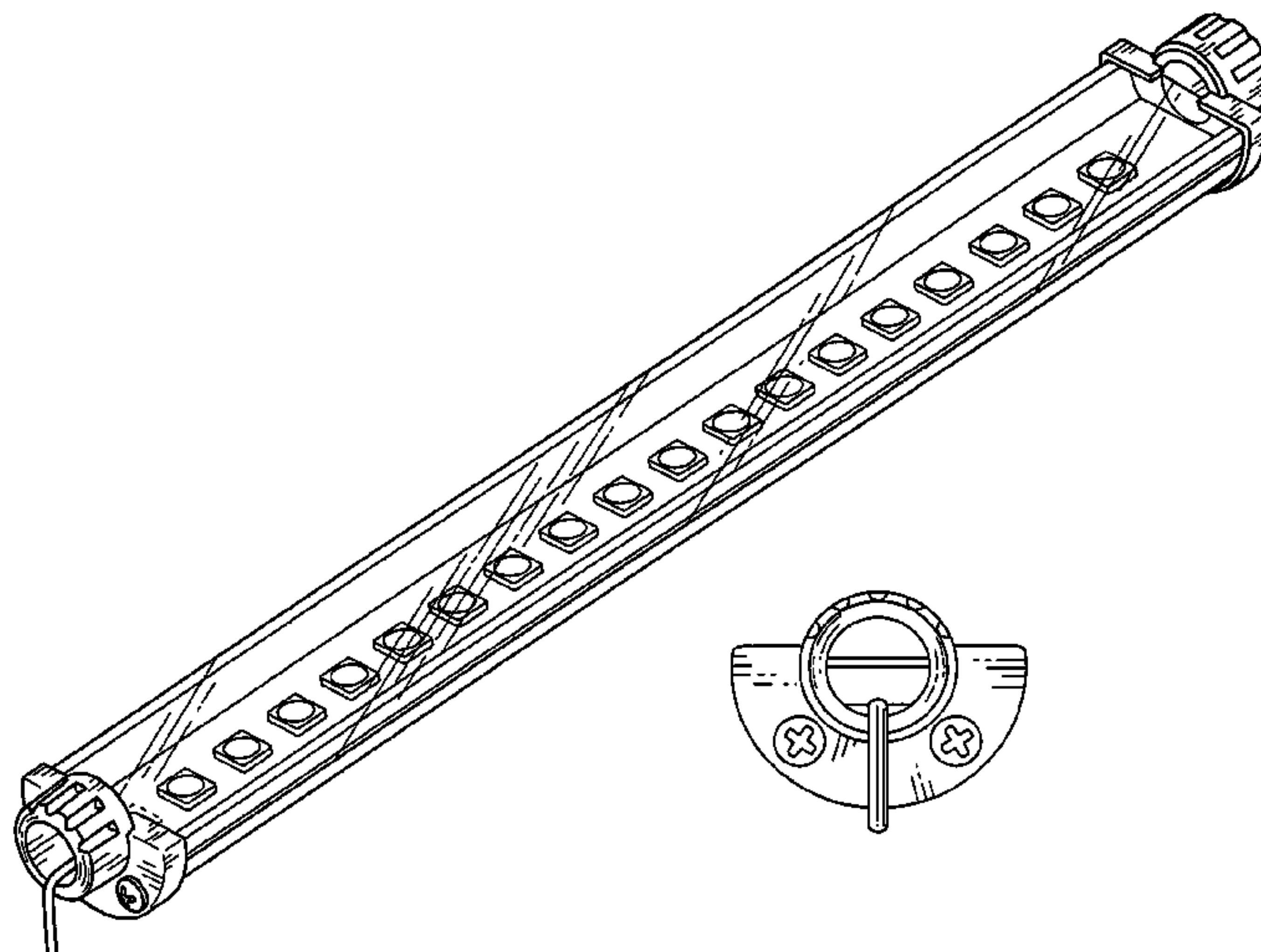
The ornamental design, for the LED lamp, as shown and described.

DESCRIPTION

FIG. 1 is a top perspective view of an LED lamp;
FIG. 2 is a front view of the LED lamp;
FIG. 3 is a rear view of the LED lamp;
FIG. 4 is a top view of the LED lamp;
FIG. 5 is a bottom view of the LED lamp;
FIG. 6 is a bottom perspective of the LED lamp;
FIG. 7 is a left side view of the LED lamp;
FIG. 8 is a right side view of the LED lamp;
FIG. 9 is a perspective view of the LED lamp shown in use condition; and,
FIG. 10 is a perspective view of the LED lamp shown in use inside a show case.

The broken lines illustrate environmental structure and form no part of the claimed design.

1 Claim, 9 Drawing Sheets



US D595,444 S

Page 2

U.S. PATENT DOCUMENTS

D424,230	S	*	5/2000	Noh	D26/76		
6,135,613	A	*	10/2000	Bodell et al.	362/223		
D438,326	S	*	2/2001	Kan	D26/76		
D459,516	S	*	6/2002	Demers et al.	D26/75		
D496,122	S	*	9/2004	Kan	D26/76		
D496,486	S	*	9/2004	Kan	D26/76		
D517,235	S	*	3/2006	Vakil et al.	D26/76		
D520,667	S	*	5/2006	Jae-Sung et al.	D26/76		
D521,173	S	*	5/2006	Noh	D26/78		
D521,676	S	*	5/2006	Richner	D26/78		
D526,737	S	*	8/2006	Noh	D26/78		
D550,885	S	*	9/2007	Crosby	D26/76		
D554,793	S	*	11/2007	Bobel	D26/76		
7,331,687	B1	*	2/2008	Noh	362/219		
D570,002	S	*	5/2008	Kitagawa et al.	D26/3		

* cited by examiner

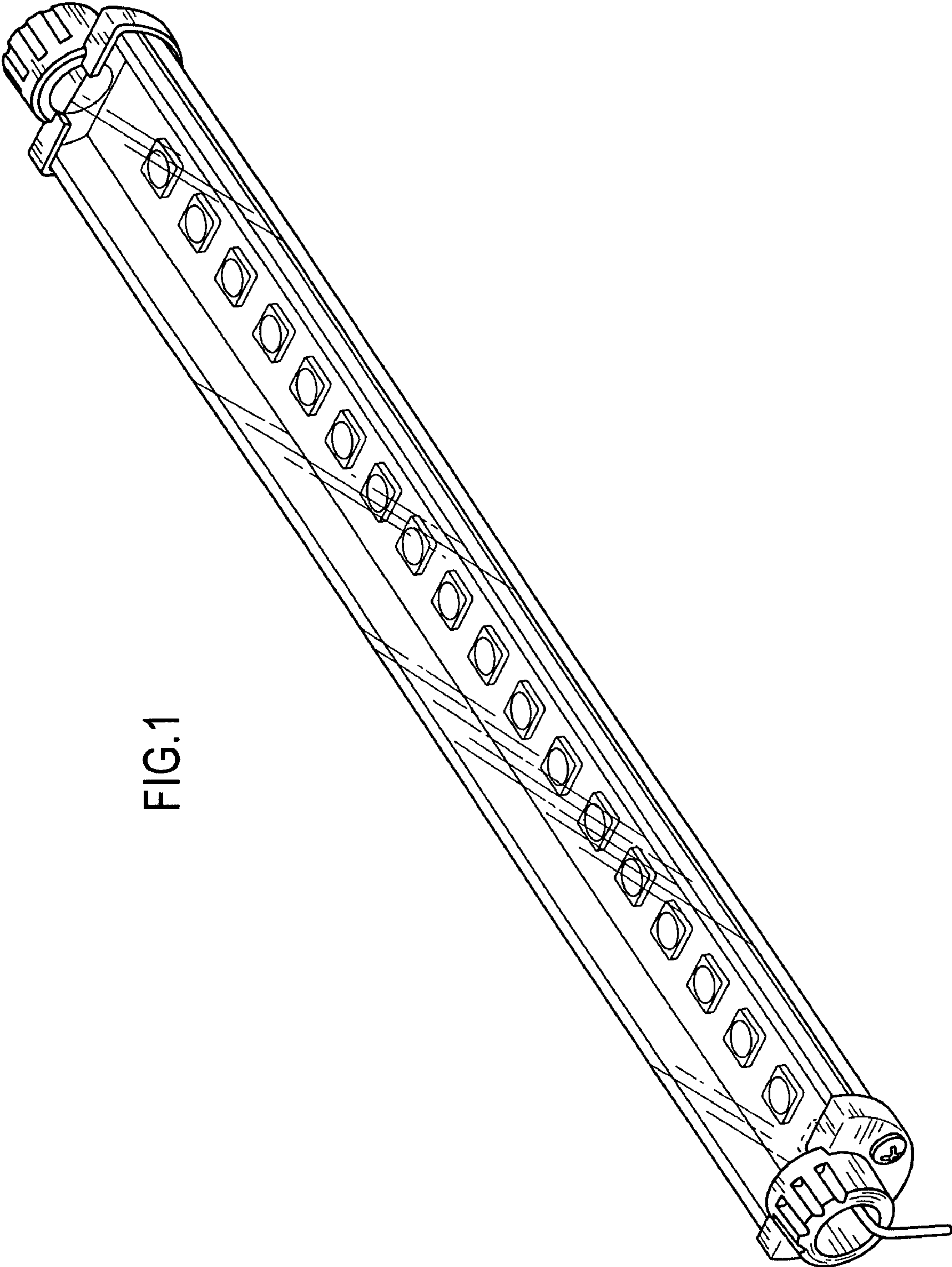
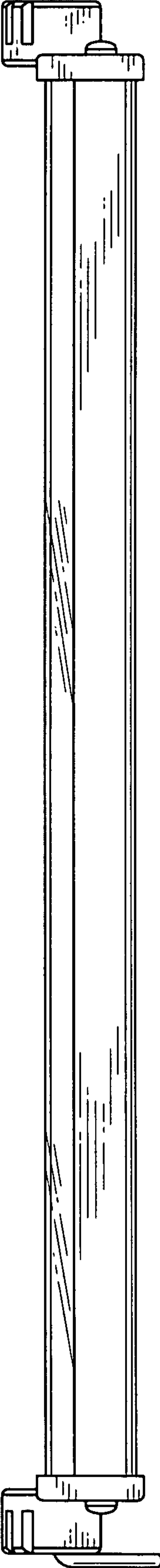


FIG.1

FIG.2



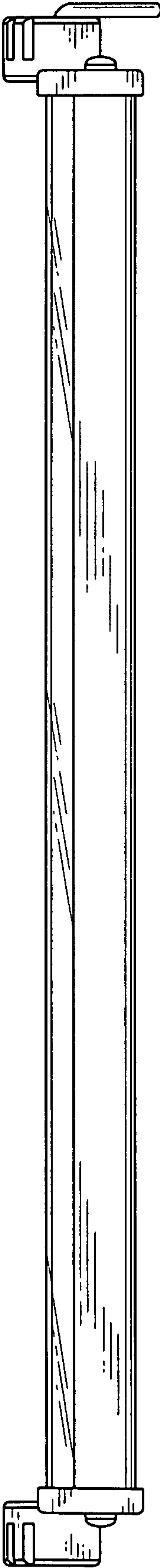
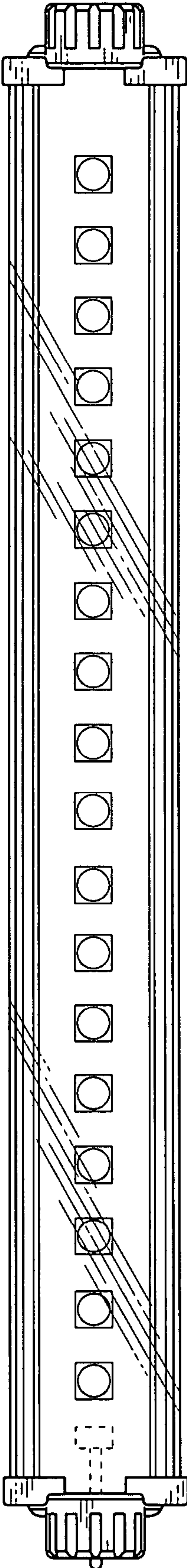


FIG.3

FIG.4



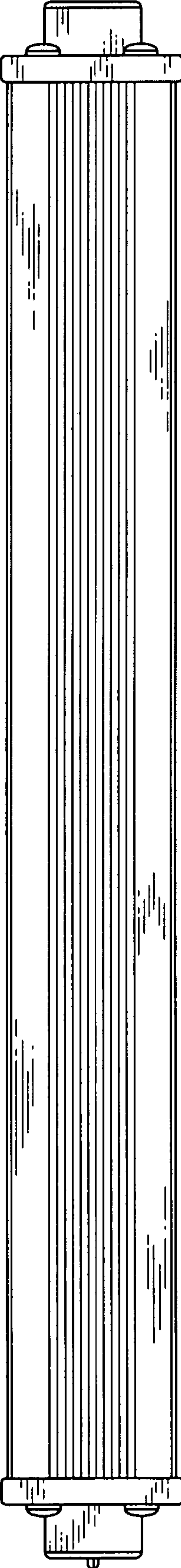
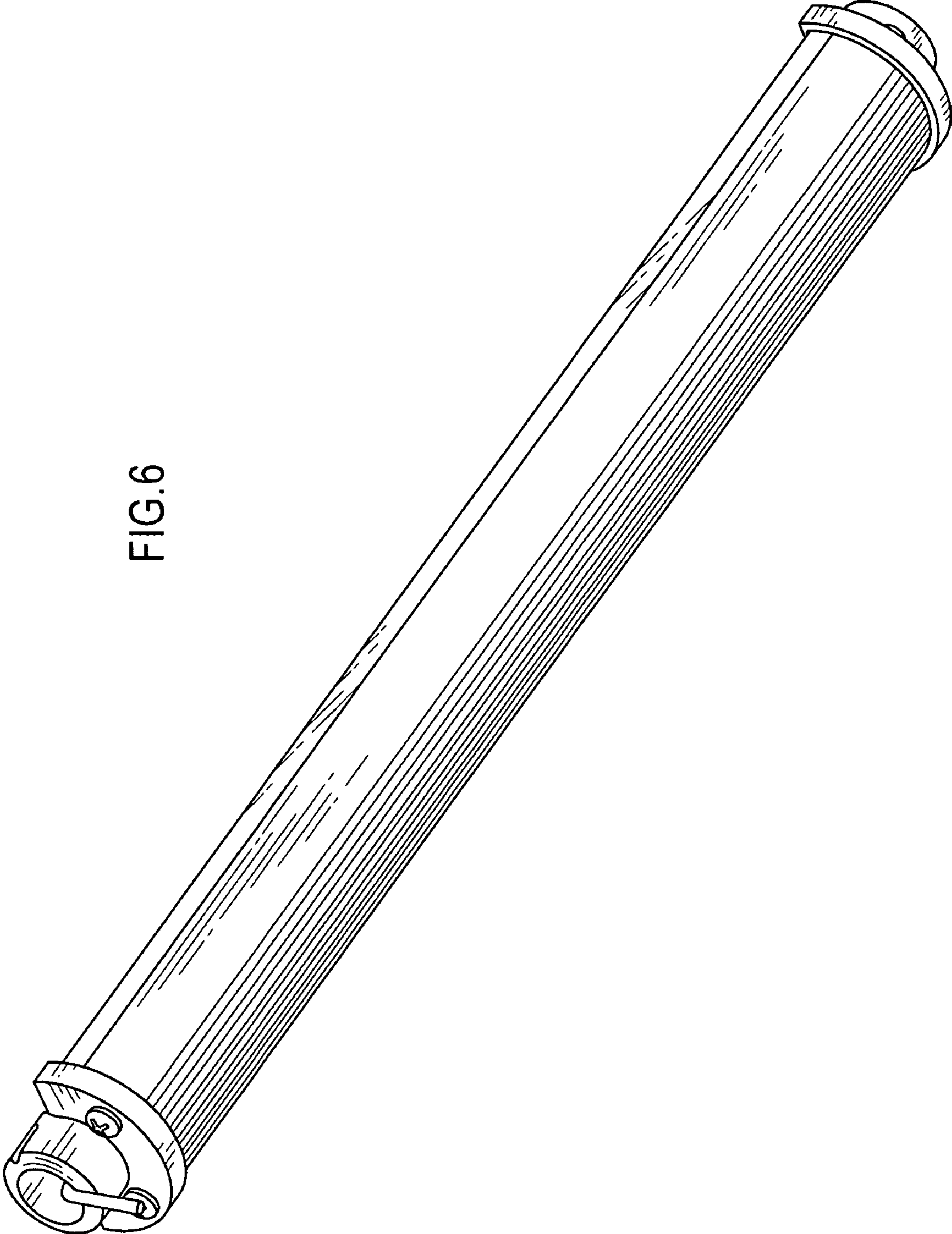


FIG.5

FIG. 6



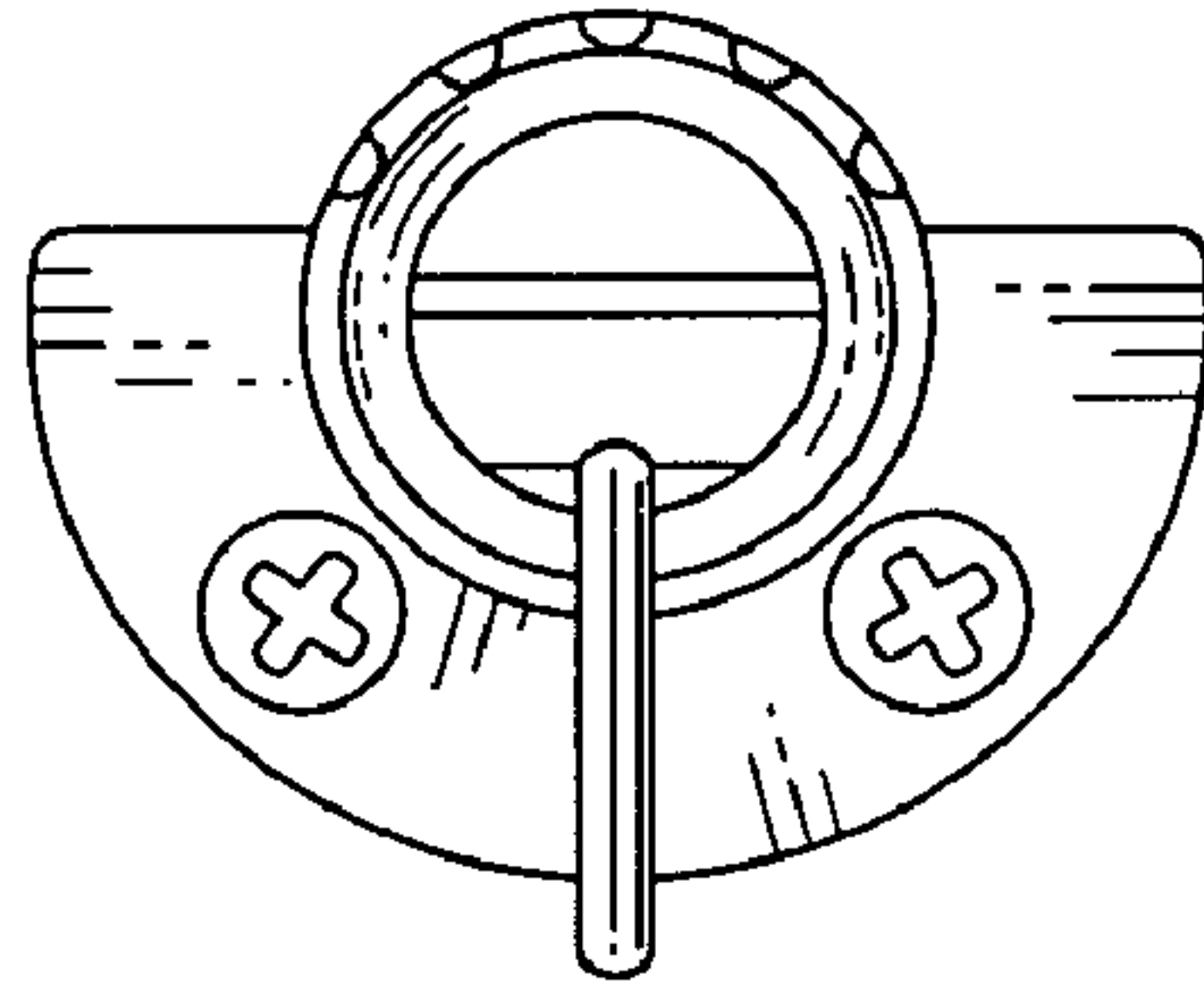


FIG. 7

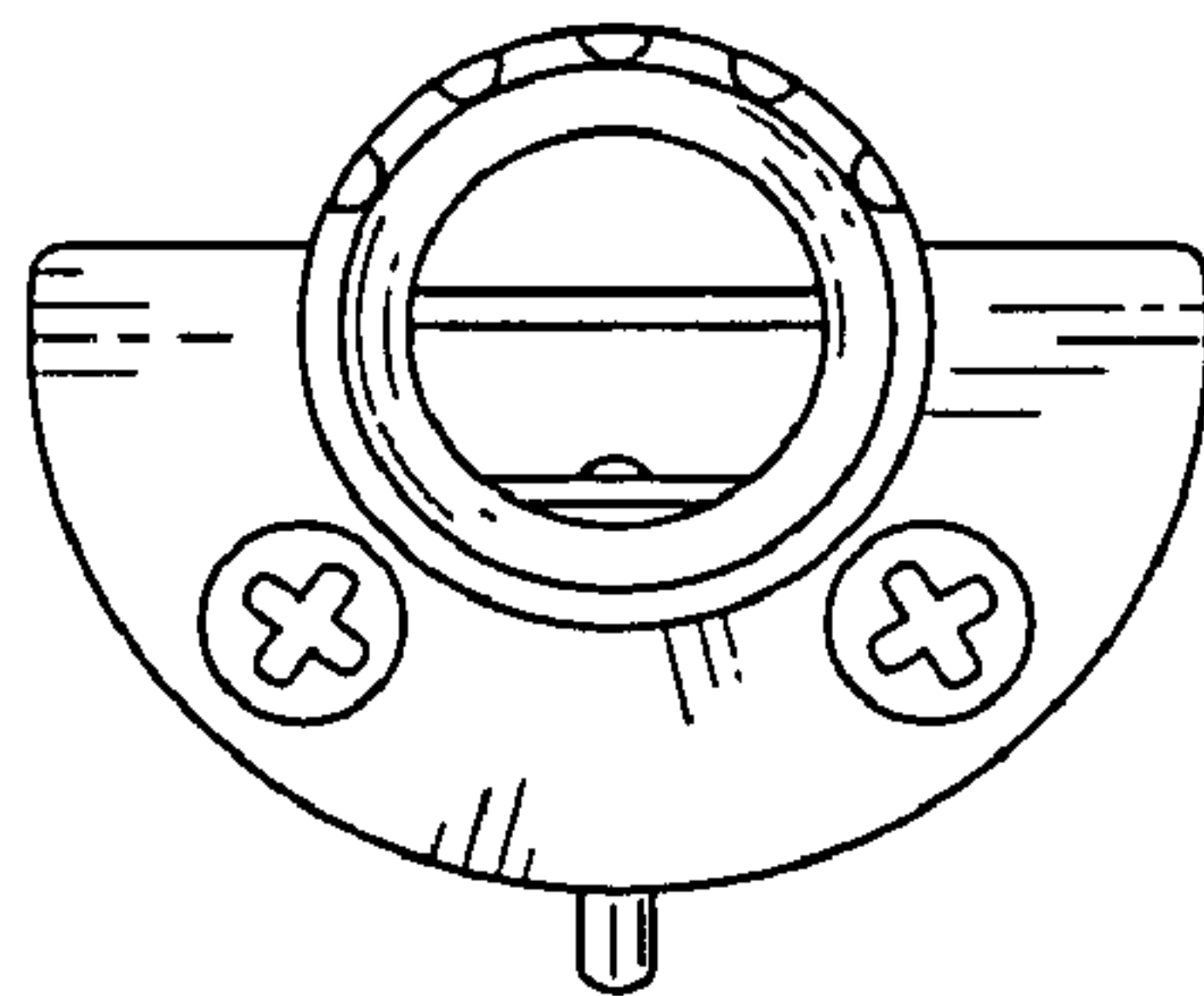
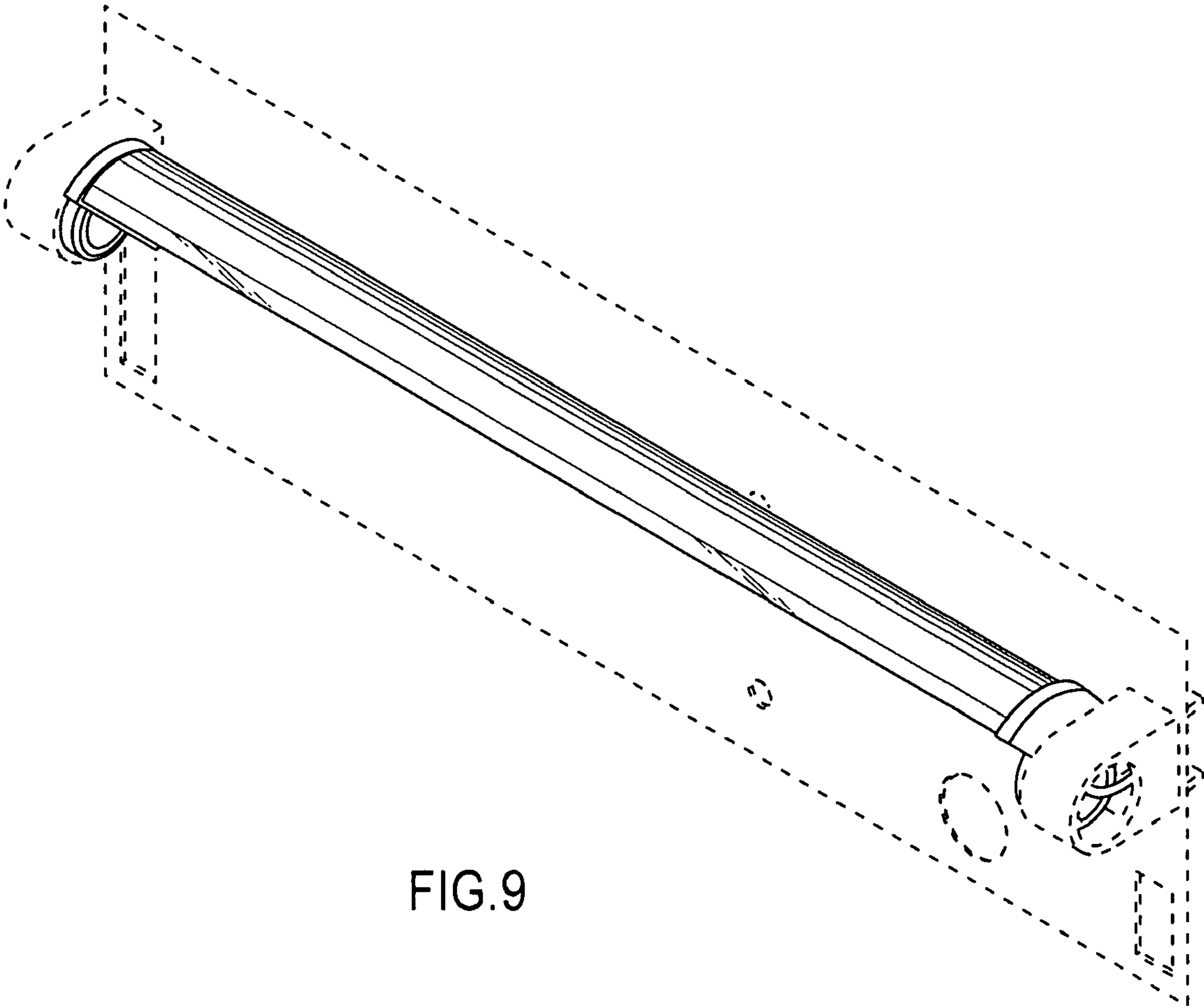


FIG. 8



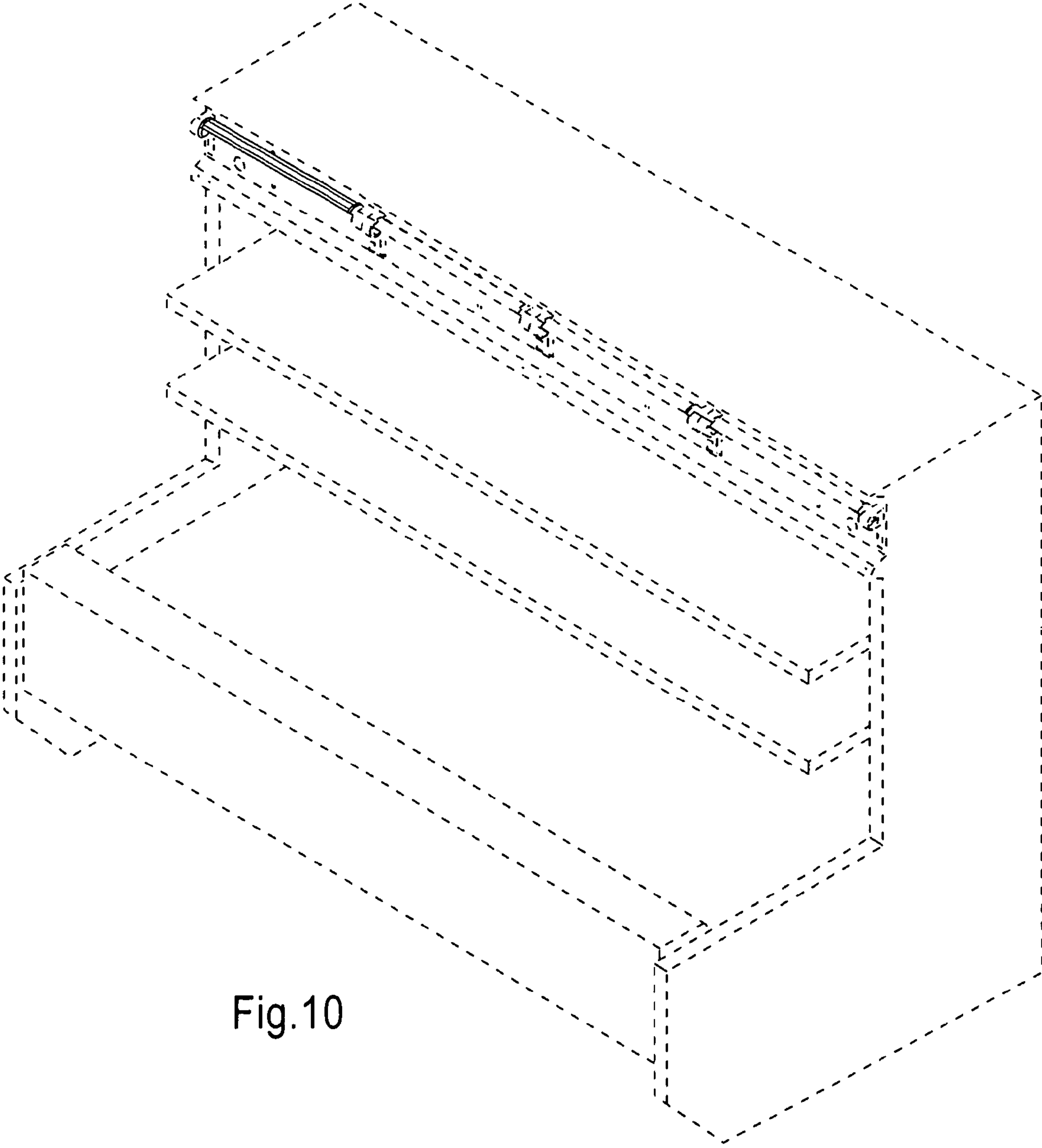


Fig.10