

US00D595442S

(12) **United States Design Patent**
Chan

(10) **Patent No.:** **US D595,442 S**
(45) **Date of Patent:** **** Jun. 30, 2009**

(54) **LAMP**

(76) **Inventor:** **Eddie Man-Ying Chan**, Unit 901,
Peninsula Square, No. 18 Sung On
Street, Hunghom, Kowloon, Hong Kong
(CN)

(**) **Term:** **14 Years**

(21) **Appl. No.:** **29/310,803**

(22) **Filed:** **Sep. 11, 2008**

(51) **LOC (9) Cl.** **26-05**

(52) **U.S. Cl.** **D26/61**

(58) **Field of Classification Search** D26/61-66,
D26/24, 43, 44, 45, 50, 51, 56, 60, 67, 87,
D26/92, 93, 103, 113, 138, 141, 140, 145,
D26/142, 107, 108, 118; 362/269, 270, 277,
362/278, 282, 285, 287, 296.09, 311.11,
362/388, 401, 413, 418, 431, 217.06, 217.07,
362/217.15, 217.16, 217.17, 249.07, 249.08,
362/249.1, 135, 138, 139, 142, 143, 144,
362/153, 219, 220, 223

See application file for complete search history.

(56) **References Cited**

U.S. PATENT DOCUMENTS

3,694,647 A * 9/1972 Chapman et al. 362/411
D411,638 S * 6/1999 Schaak et al. D26/62
D427,348 S * 6/2000 Huang D26/63
D448,104 S * 9/2001 Weitzman et al. D26/65
D499,828 S * 12/2004 Martin et al. D26/65
D504,188 S * 4/2005 Chan D26/66
D506,018 S * 6/2005 Campo D26/62

D513,085 S * 12/2005 Shiu D26/62
D521,673 S * 5/2006 Wu D26/65
D522,162 S * 5/2006 Wu D26/65
7,147,336 B1 * 12/2006 Chou 362/96
D538,964 S * 3/2007 Martin D26/109
D588,737 S * 3/2009 Fu D26/63

OTHER PUBLICATIONS

Balanced Spectrum Ultra Floor Lamp, Dec. 2006, [Retrieved on Apr. 2, 2009]. Retrieved from Internet <http://www.abledata.com/abledata.cfm?pageid=19327&top=14777&product_is=174717&trail=22,10445&discontinued=0>.*

* cited by examiner

Primary Examiner—Jennifer Rivard

Assistant Examiner—Angela J Lee

(74) *Attorney, Agent, or Firm*—Alix, Yale & Ristas, LLP

(57) **CLAIM**

The ornamental design for a lamp, as shown and described.

DESCRIPTION

FIG. 1 is a front elevational view of a lamp showing my new design;

FIG. 2 is a rear elevational view thereof;

FIG. 3 is a left side elevational view thereof; and

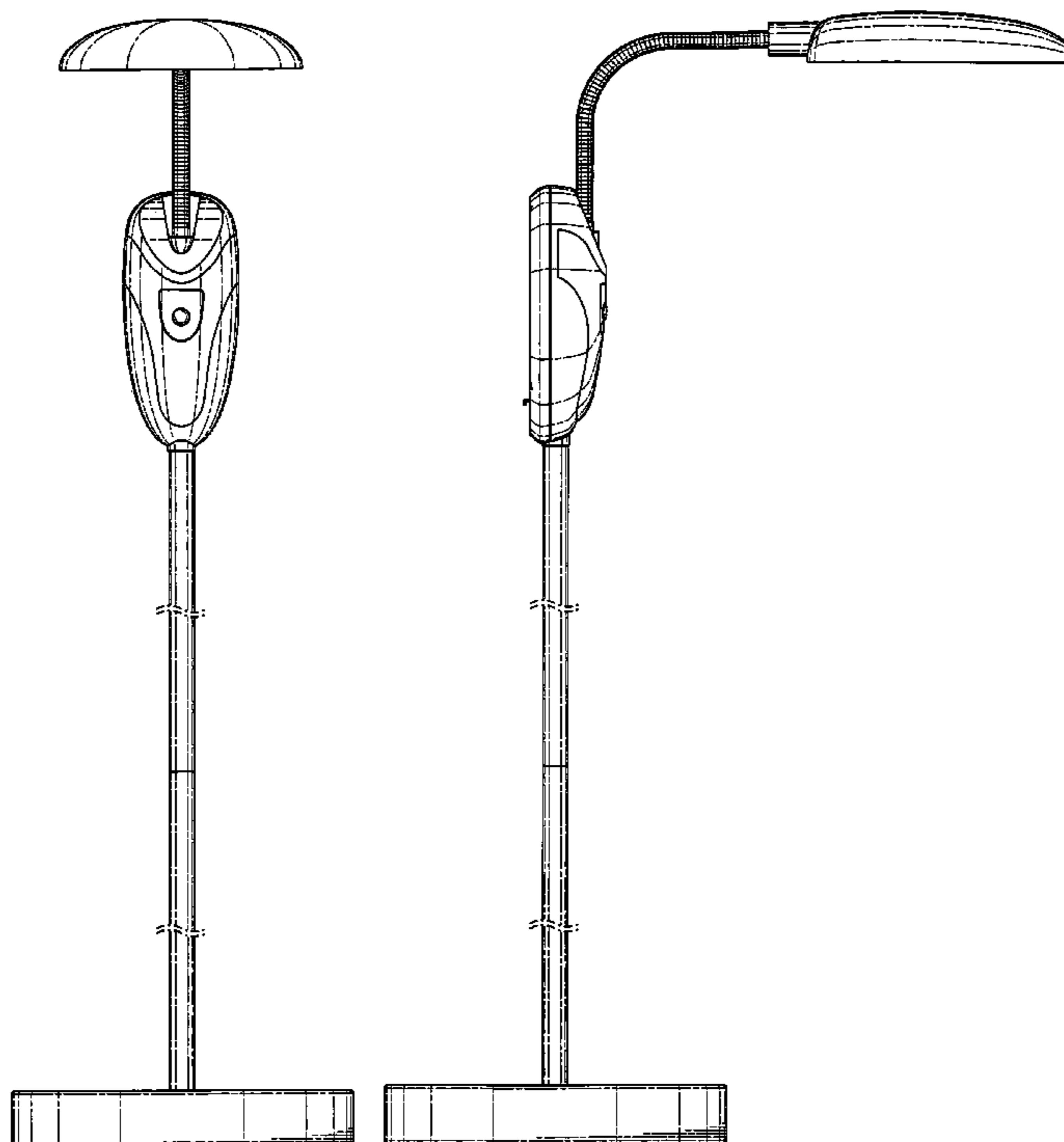
FIG. 4 is a right side elevational view thereof.

FIG. 5 is a top plan view thereof; and,

FIG. 6 is a bottom plan view thereof.

The lamp is shown with break lines to indicate that no particular height is claimed.

1 Claim, 4 Drawing Sheets



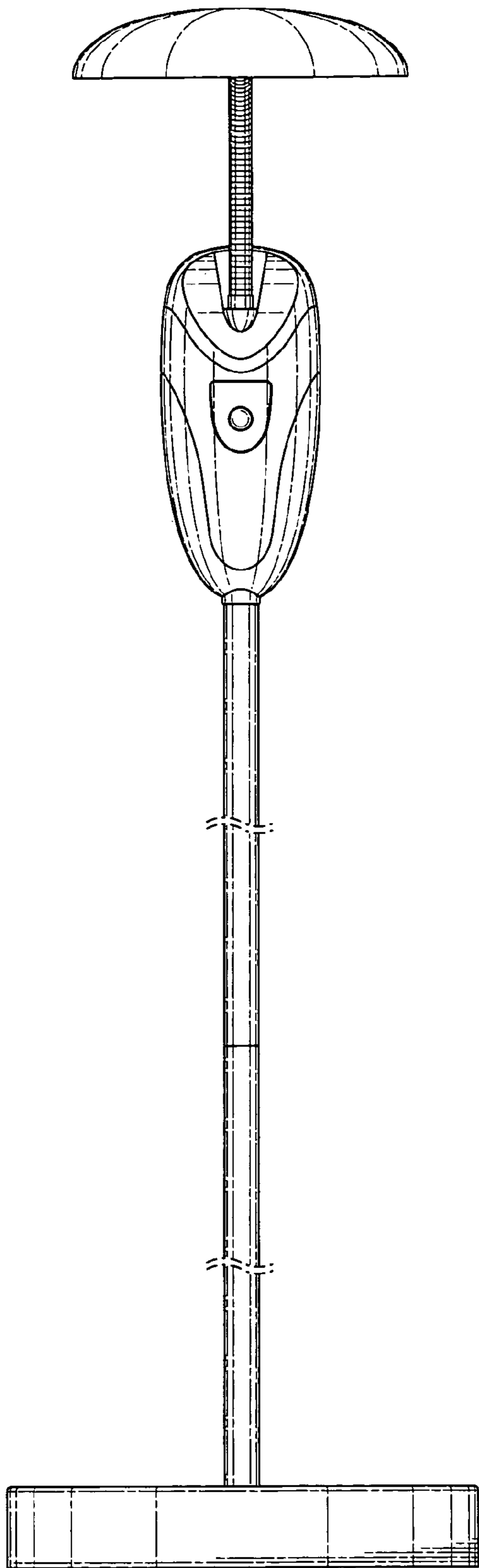


FIG. 1

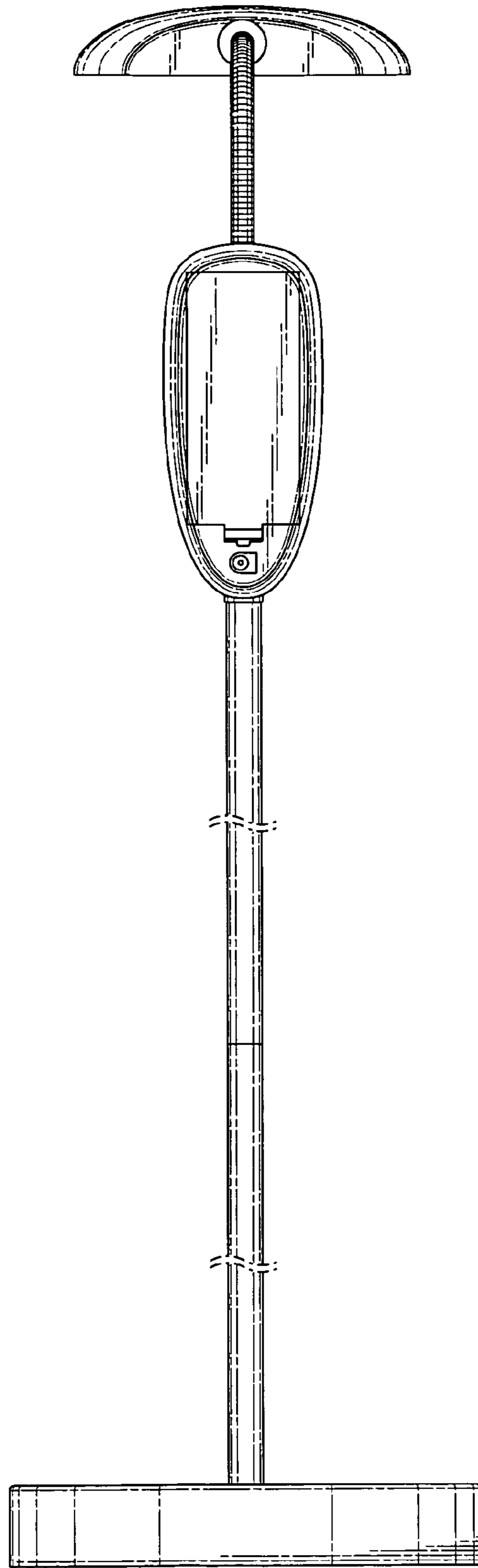


FIG. 2

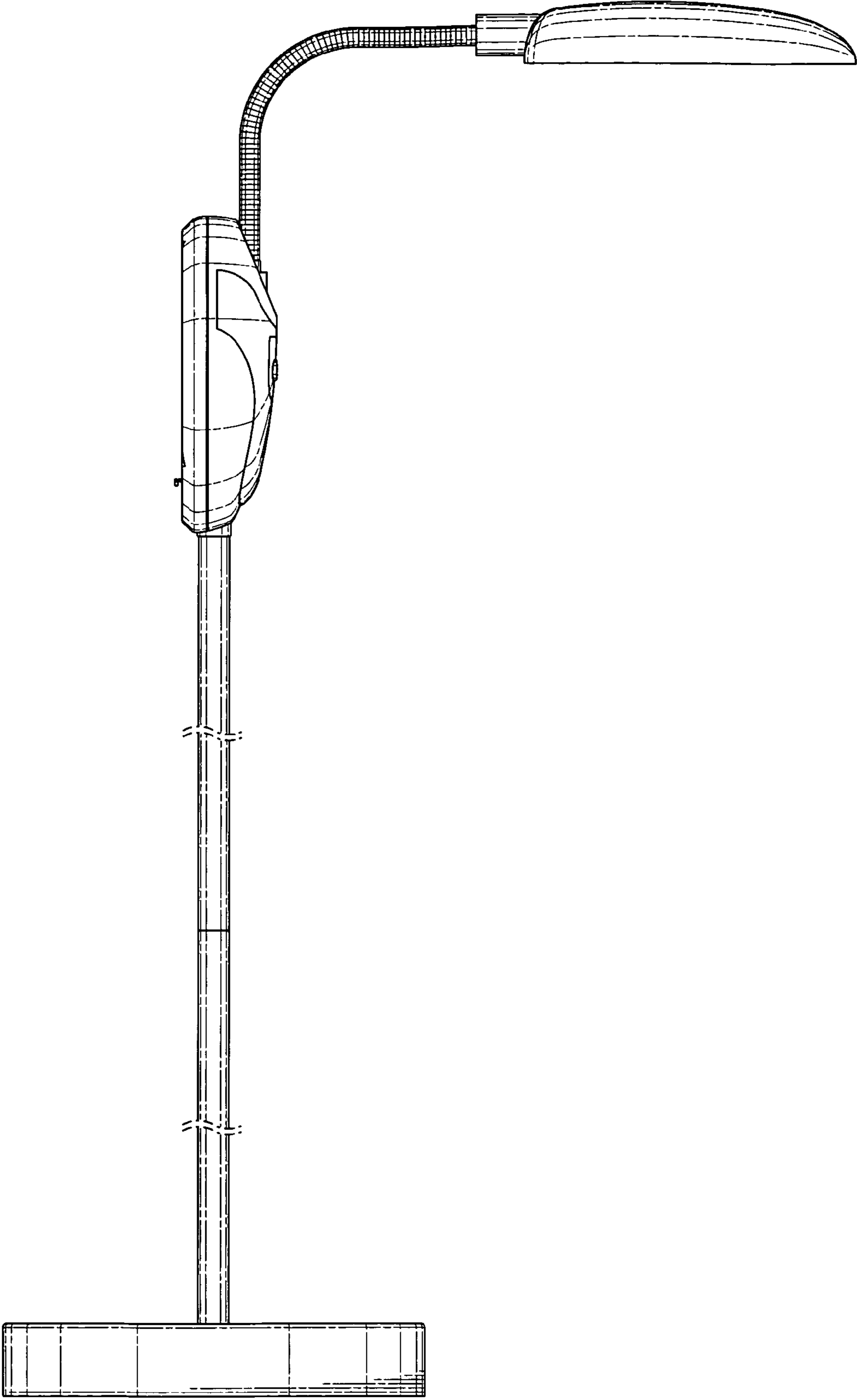


FIG. 3

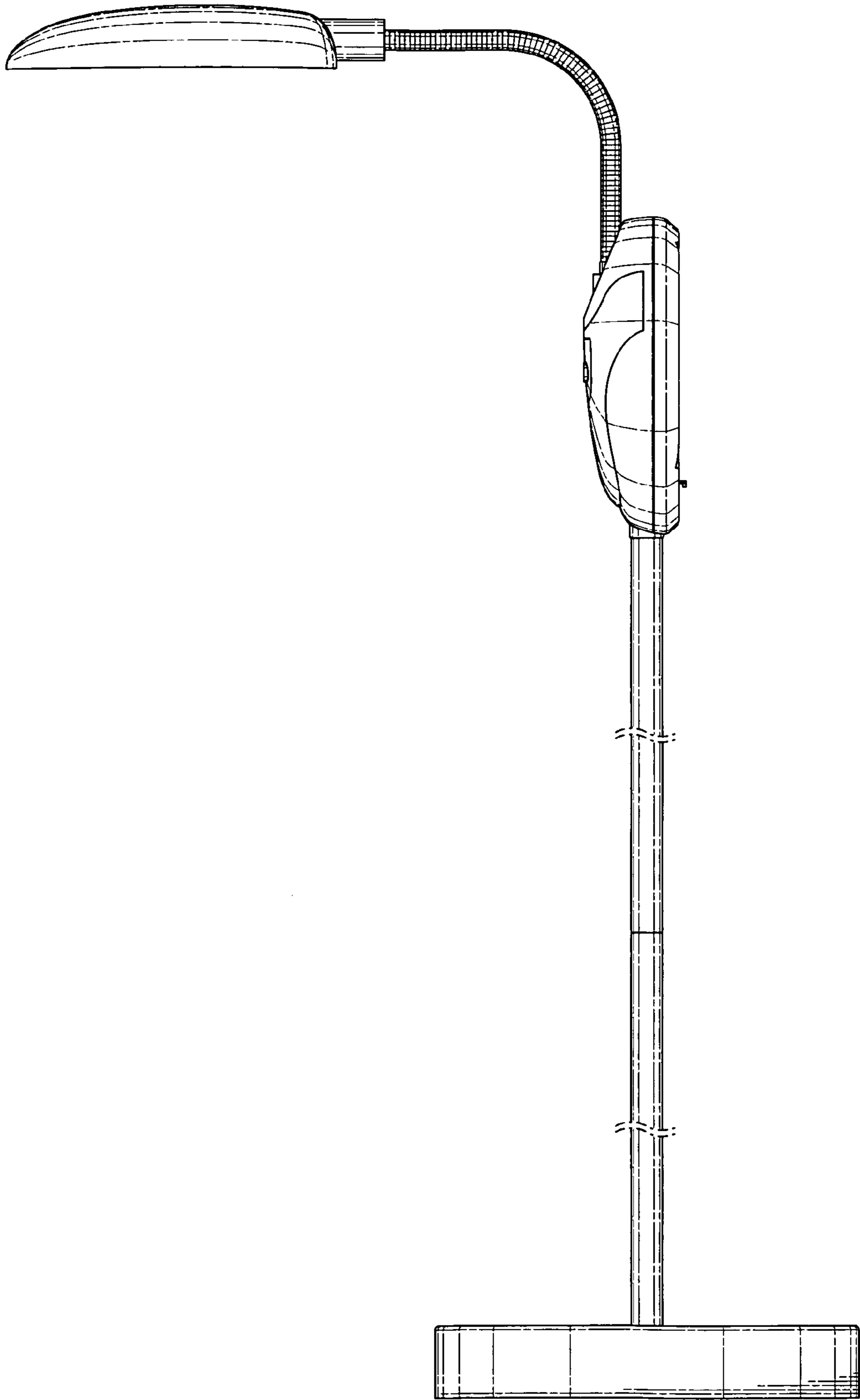


FIG. 4

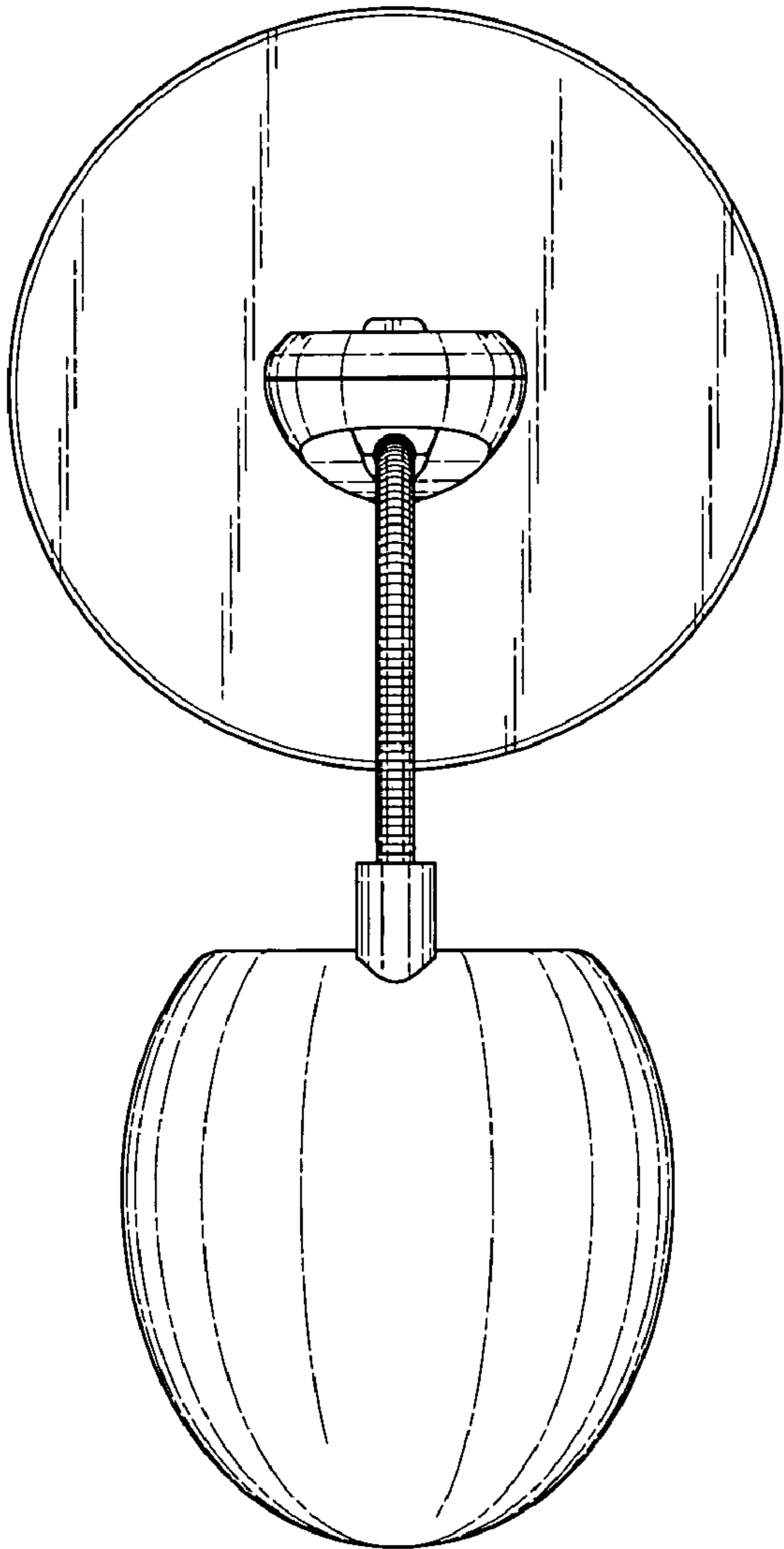


FIG. 5

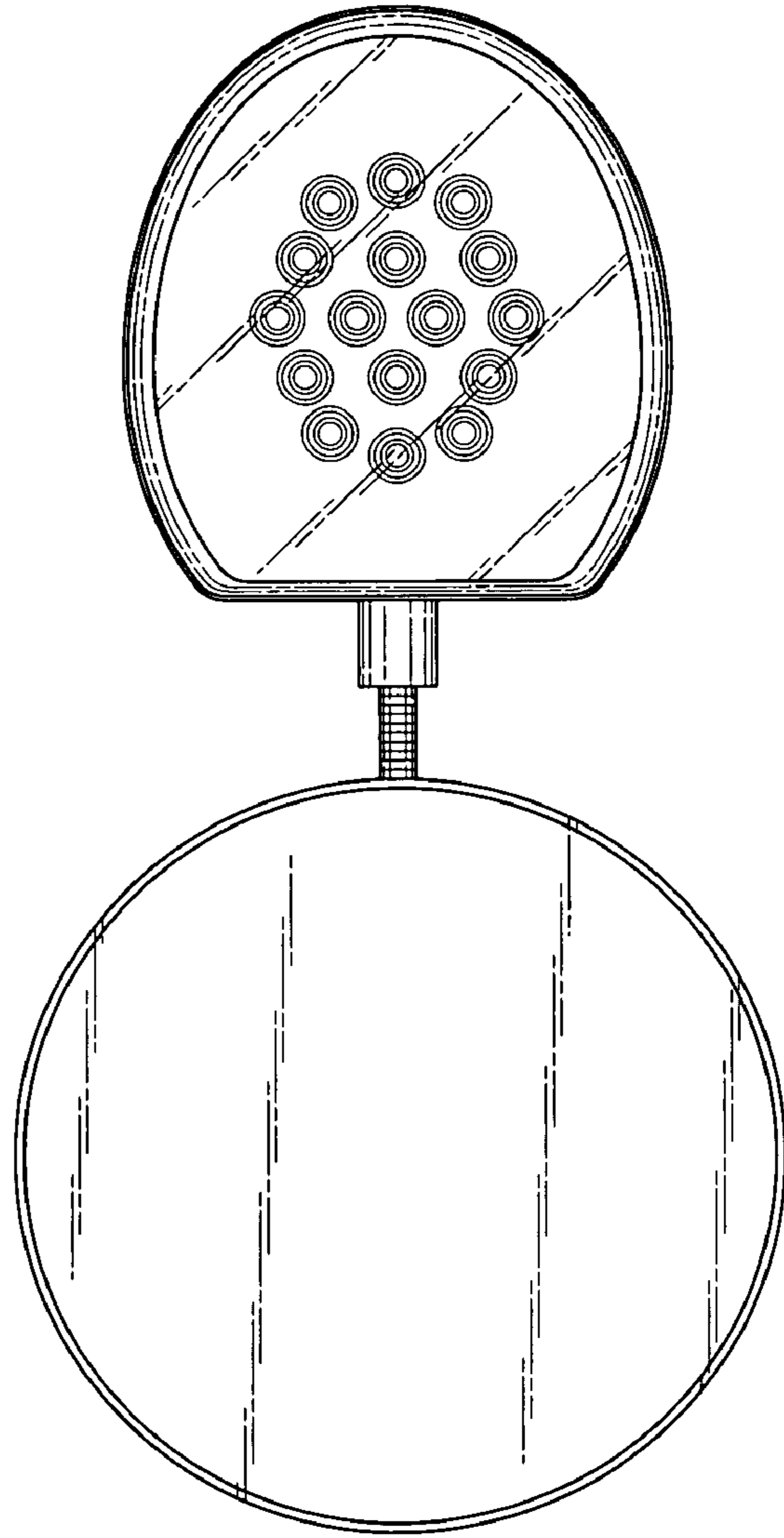


FIG. 6