



US00D595439S

(12) **United States Design Patent**  
**Haight et al.**

(10) **Patent No.:** **US D595,439 S**

(45) **Date of Patent:** **\*\* Jun. 30, 2009**

(54) **FLASHLIGHT**

(75) Inventors: **Daniel J. Haight**, Pelham, NH (US);  
**David S. Lavalliere**, Hooksett, NH (US);  
**Charles H. Goodspeed, IV**,  
Londonderry, NH (US)

(73) Assignee: **Insight Technology Incorporated**,  
Londonderry, NH (US)

(\*\*) Term: **14 Years**

(21) Appl. No.: **29/317,335**

(22) Filed: **Apr. 28, 2008**

(51) **LOC (9) Cl.** ..... **26-02**

(52) **U.S. Cl.** ..... **D26/49**

(58) **Field of Classification Search** ..... D26/37,  
D26/46, 49, 50; 362/157, 158, 194, 197,  
362/198, 190, 191, 200-206, 208  
See application file for complete search history.

(56) **References Cited**

**U.S. PATENT DOCUMENTS**

D506,559 S *	6/2005	Chen	.....	D26/37
D507,367 S *	7/2005	Chen	.....	D26/37
D554,281 S *	10/2007	Bushee et al.	.....	D26/37
D554,787 S *	11/2007	Shiu	.....	D26/49
D566,309 S *	4/2008	Kornfeld et al.	.....	D26/37
D570,511 S *	6/2008	Shiu	.....	D26/49
D577,452 S *	9/2008	Shiu	.....	D26/49
D585,577 S *	1/2009	Bonis	.....	D26/49
2006/0028809 A1 *	2/2006	Huang	.....	362/157

\* cited by examiner

*Primary Examiner*—Ian Simmons  
*Assistant Examiner*—Carissa C Fitts

(57) **CLAIM**

The ornamental design for a flashlight, as shown and described.

**DESCRIPTION**

FIG. 1 is a perspective view of a first flashlight of the present invention;

FIG. 2 is a front view of the flashlight of FIG. 1;

FIG. 3 is rear view of the flashlight of FIG. 1;

FIG. 4 is a right side view of the flashlight of FIG. 1;

FIG. 5 is a left side view of the flashlight of FIG. 1

FIG. 6 is a top view of the flashlight of FIG. 1

FIG. 7 is a bottom view of the flashlight of FIG. 1

FIG. 8 is a perspective view of a second flashlight of the present invention;

FIG. 9 is a front view of the flashlight of FIG. 8;

FIG. 10 is rear view of the flashlight of FIG. 8;

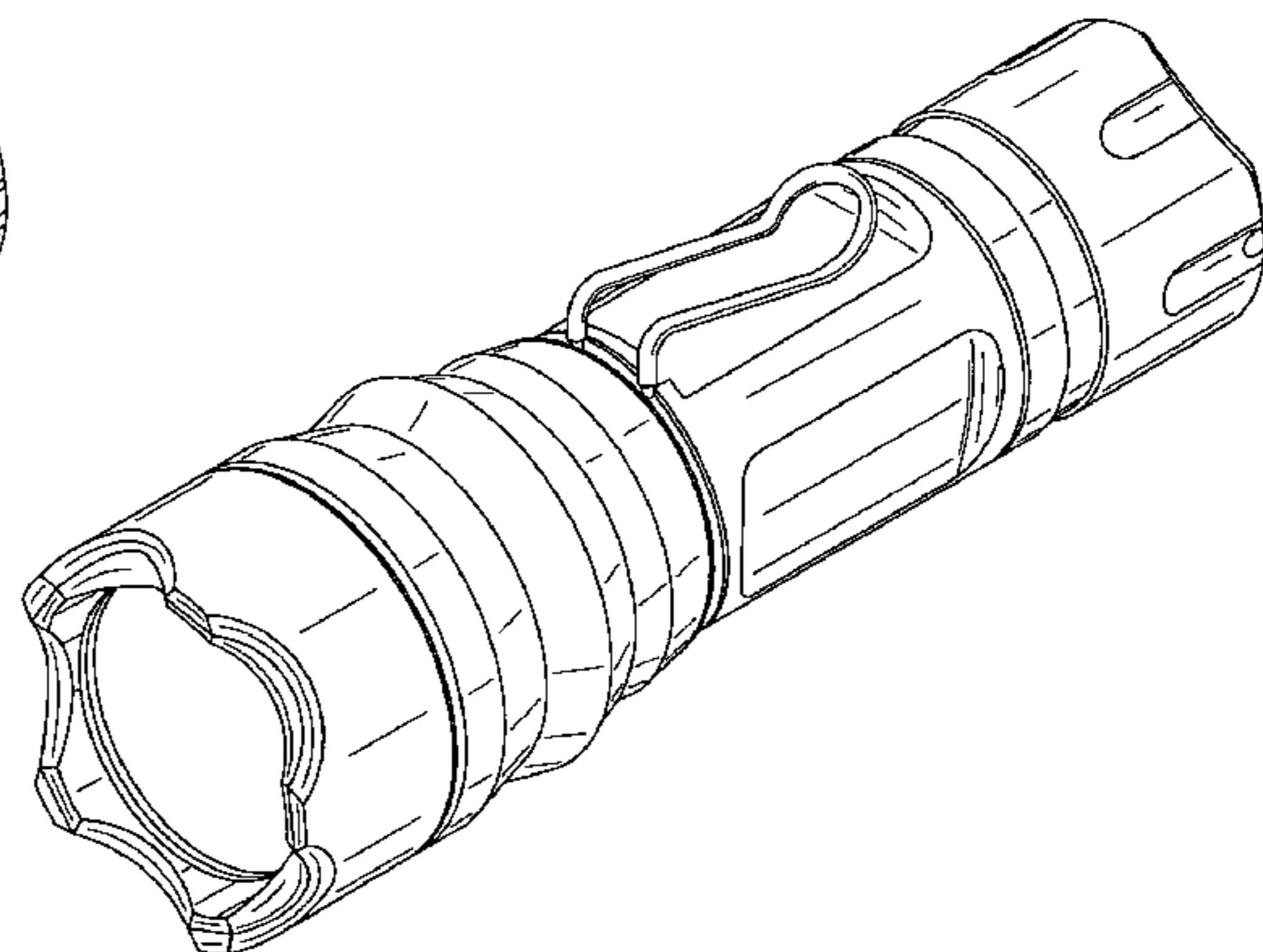
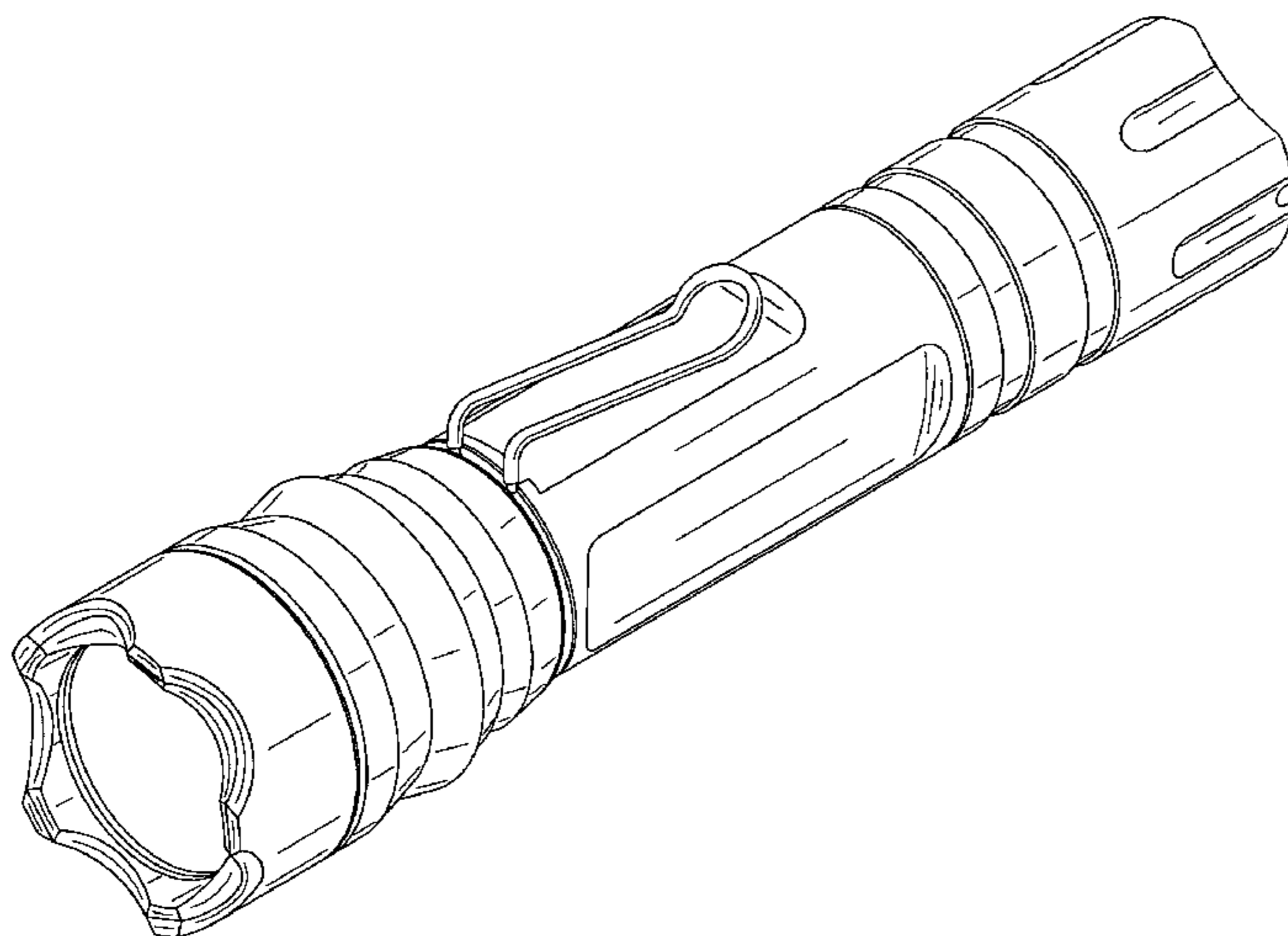
FIG. 11 is a right side view of the flashlight of FIG. 8;

FIG. 12 is a left side view of the flashlight of FIG. 8

FIG. 13 is a top view of the flashlight of FIG. 8; and,

FIG. 14 is a bottom view of the flashlight of FIG. 8.

**1 Claim, 14 Drawing Sheets**



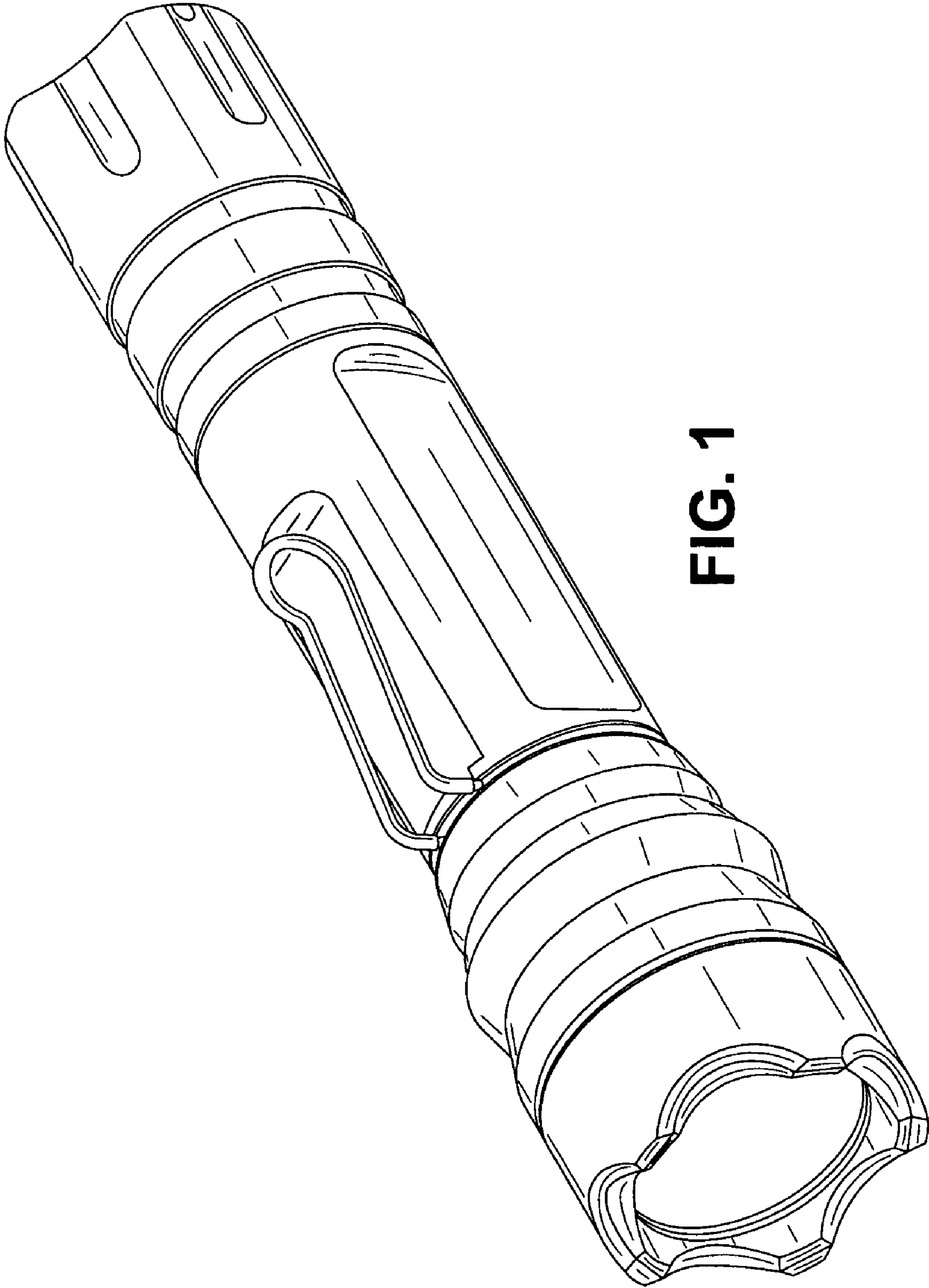
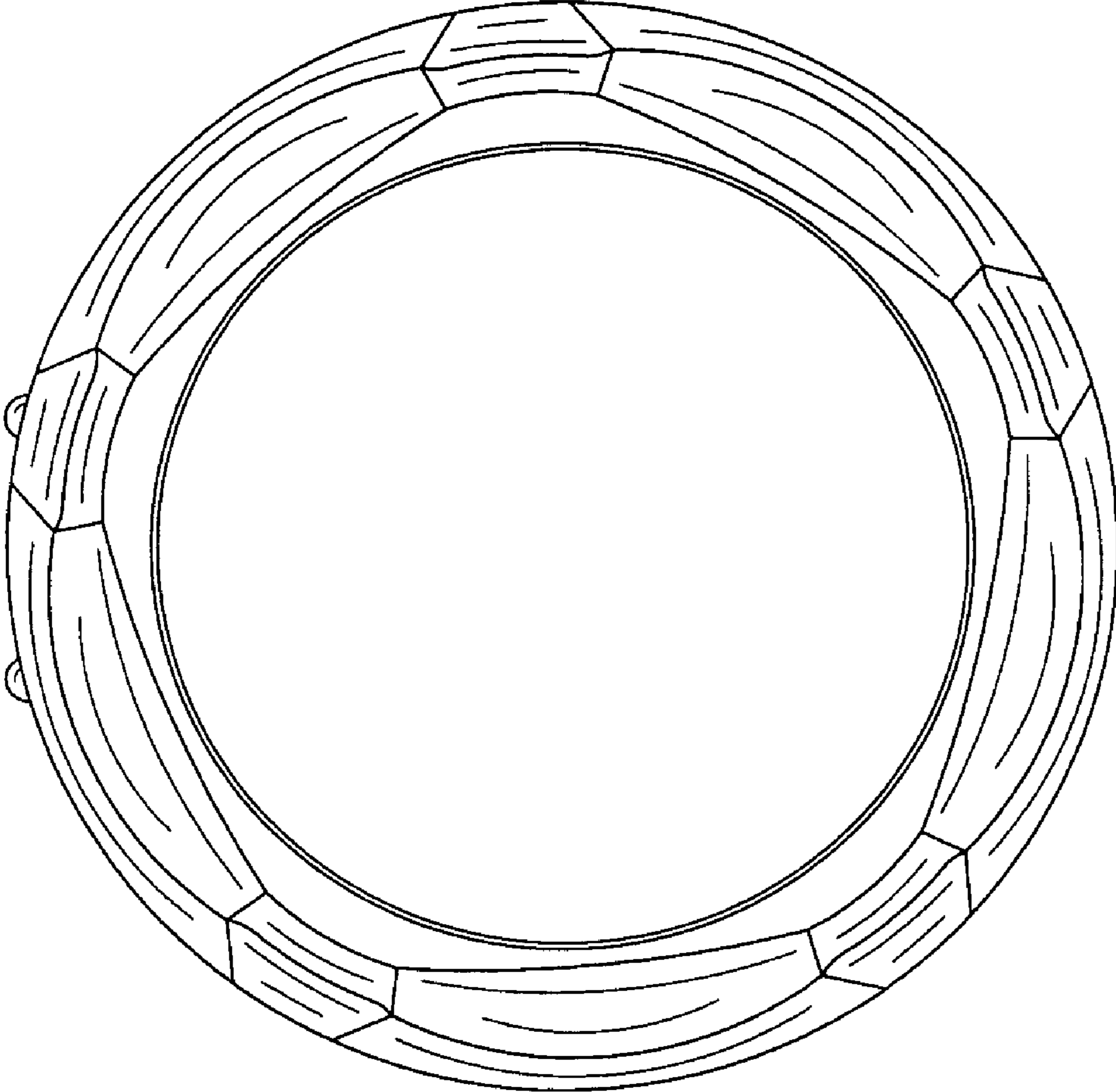
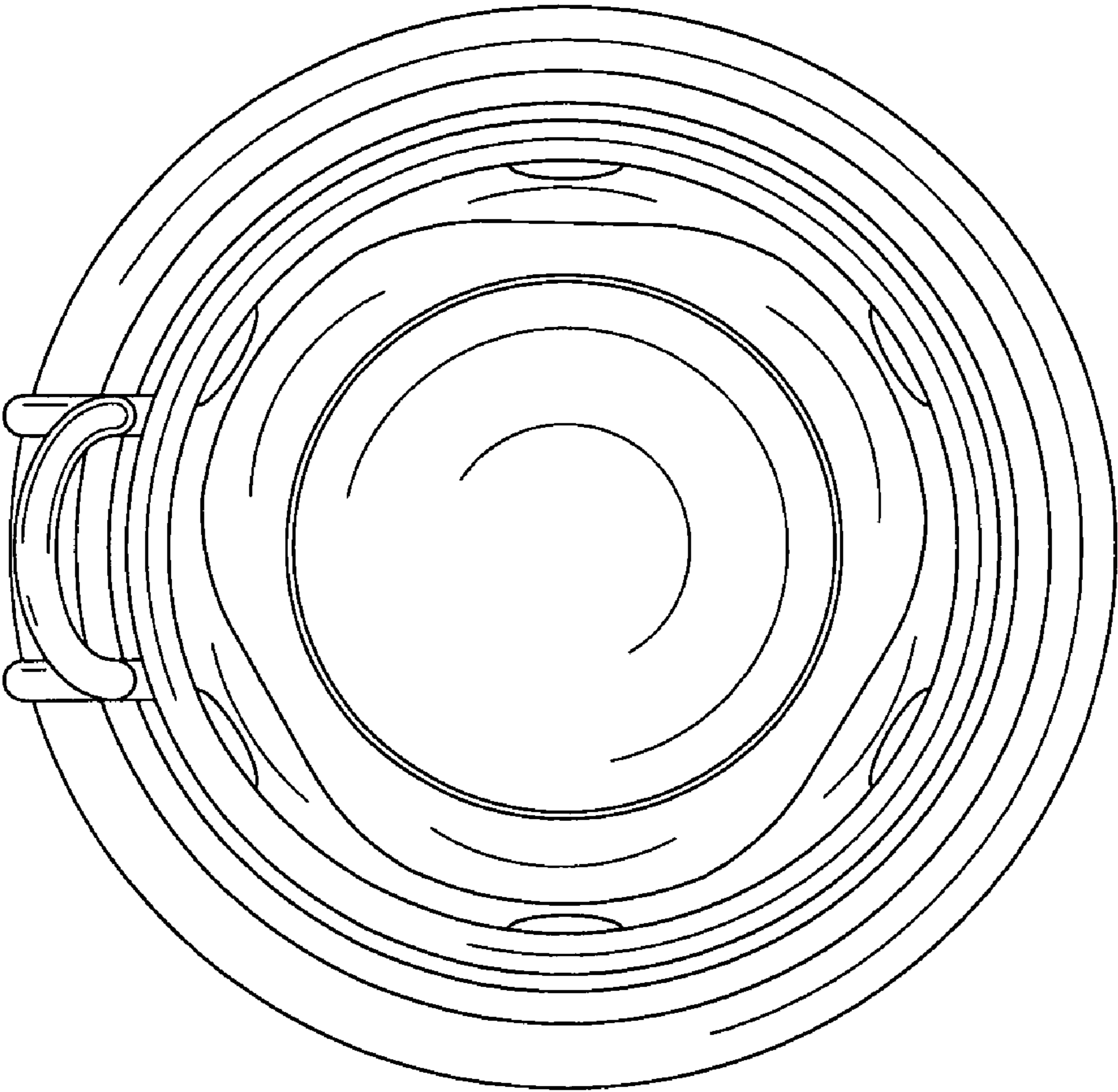


FIG. 1

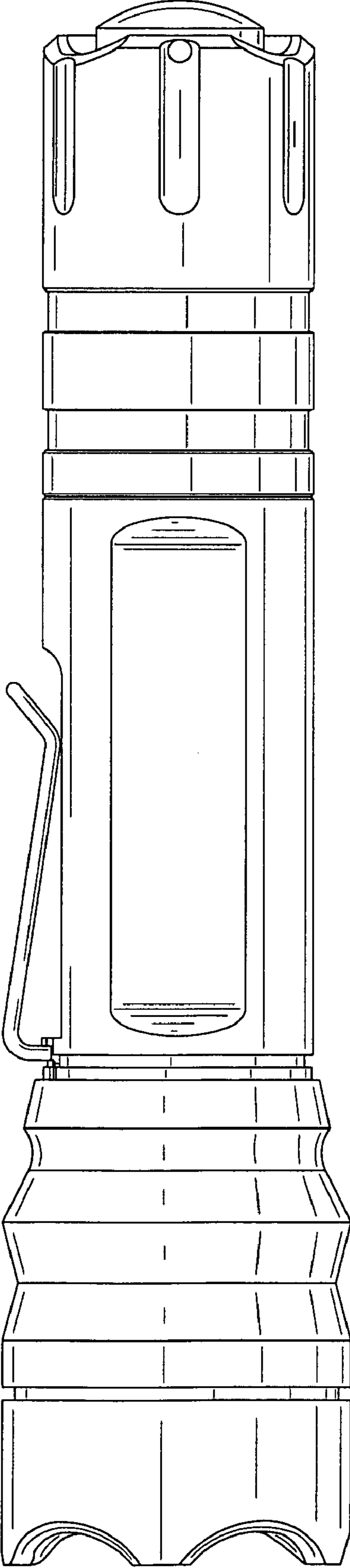


**FIG. 2**



**FIG. 3**





**FIG. 4**

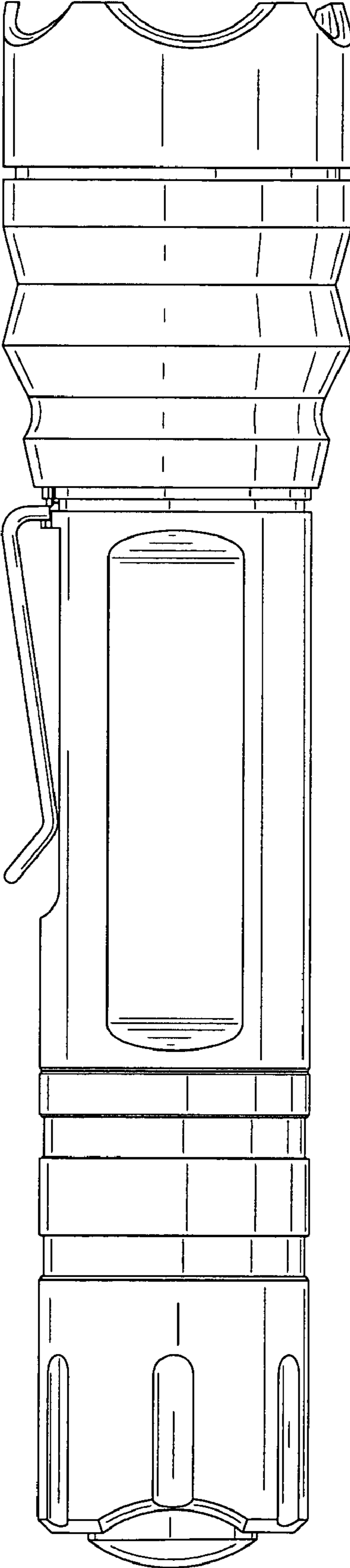


FIG. 5

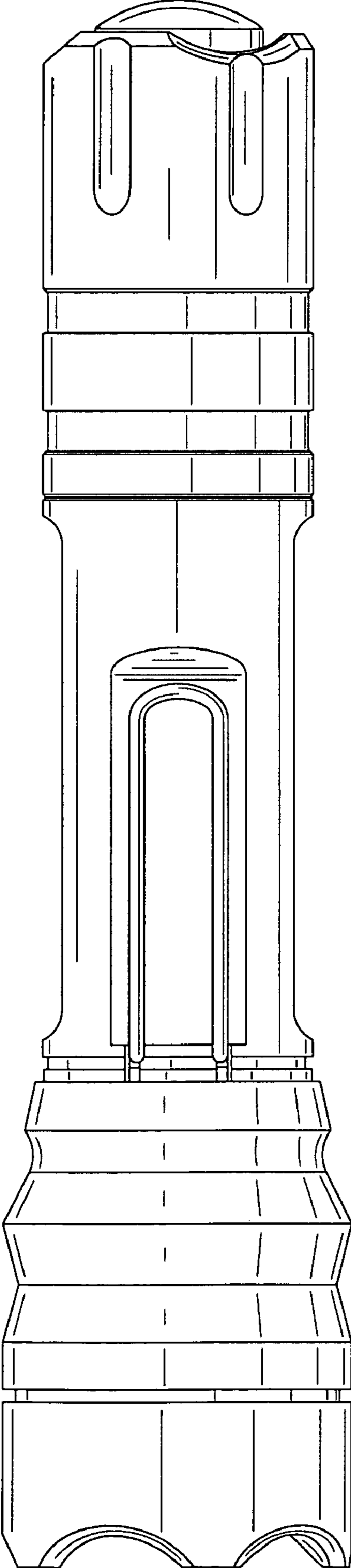


FIG. 6

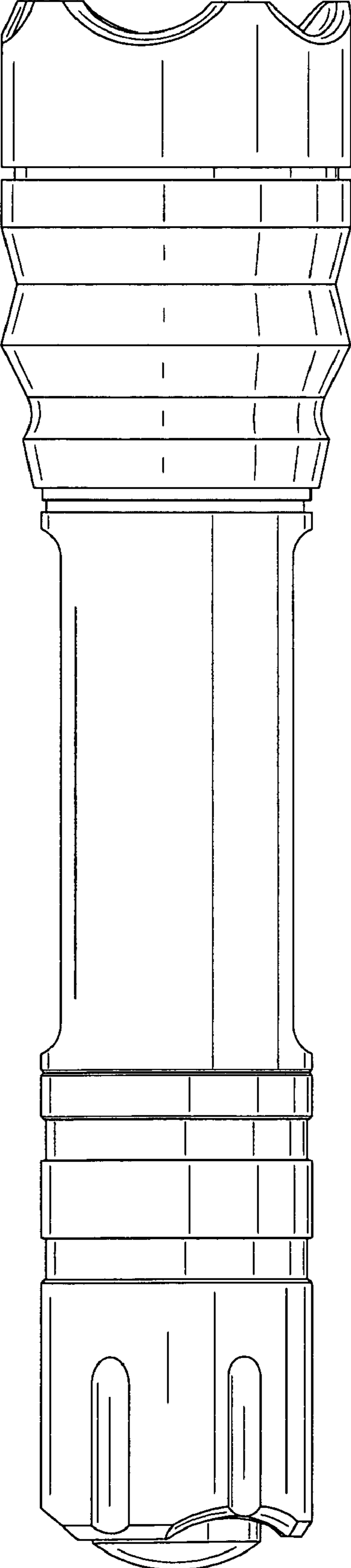
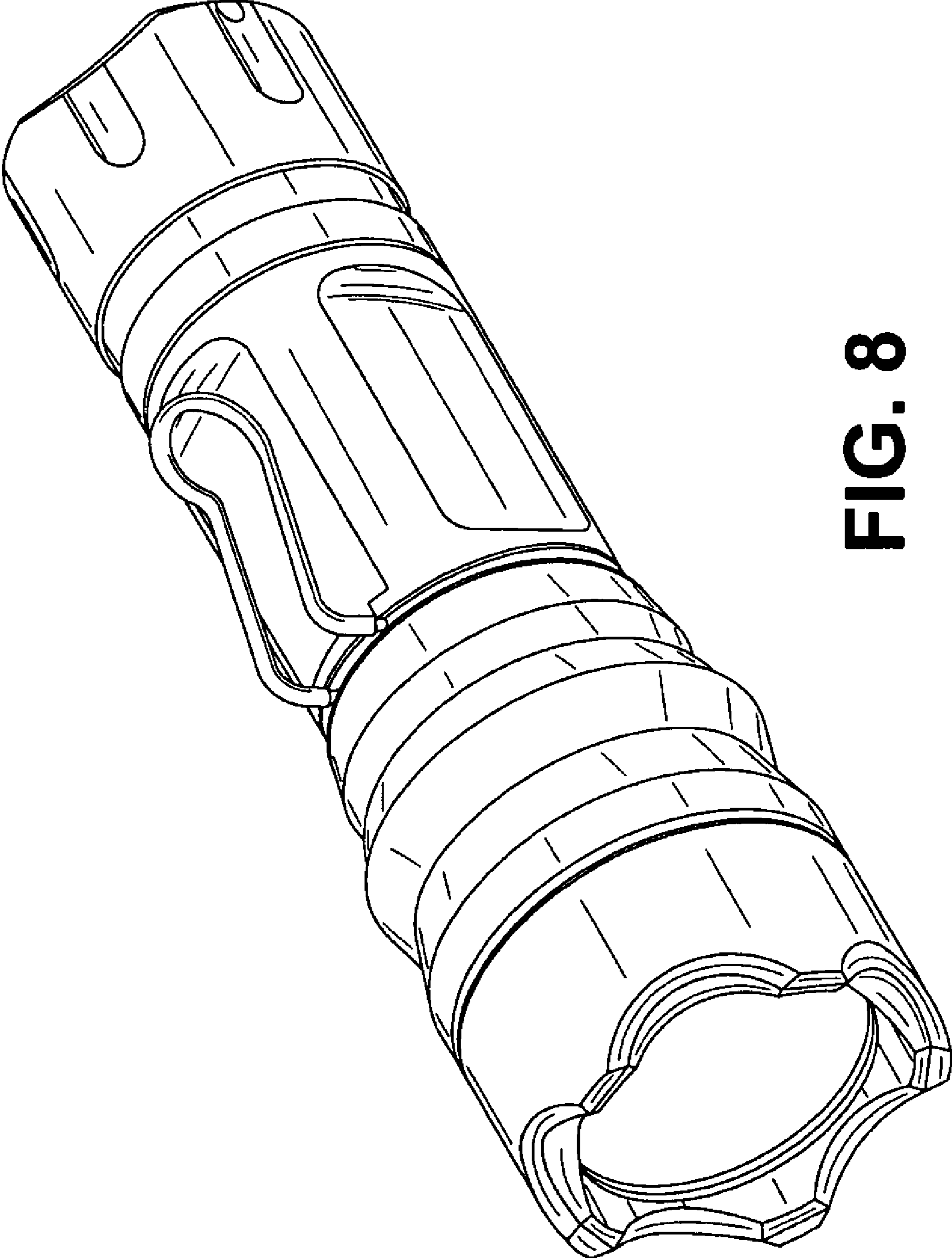
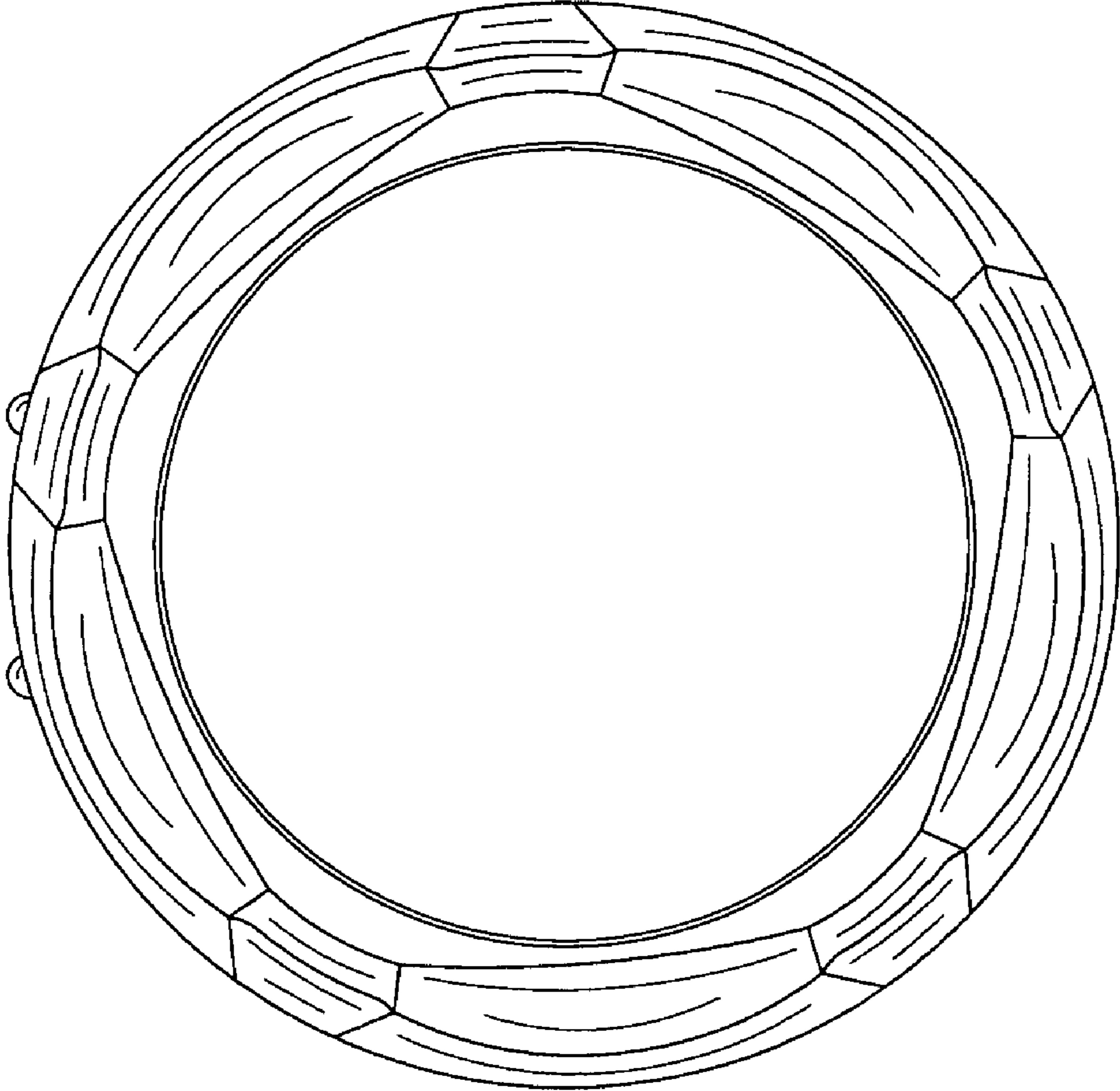


FIG. 7

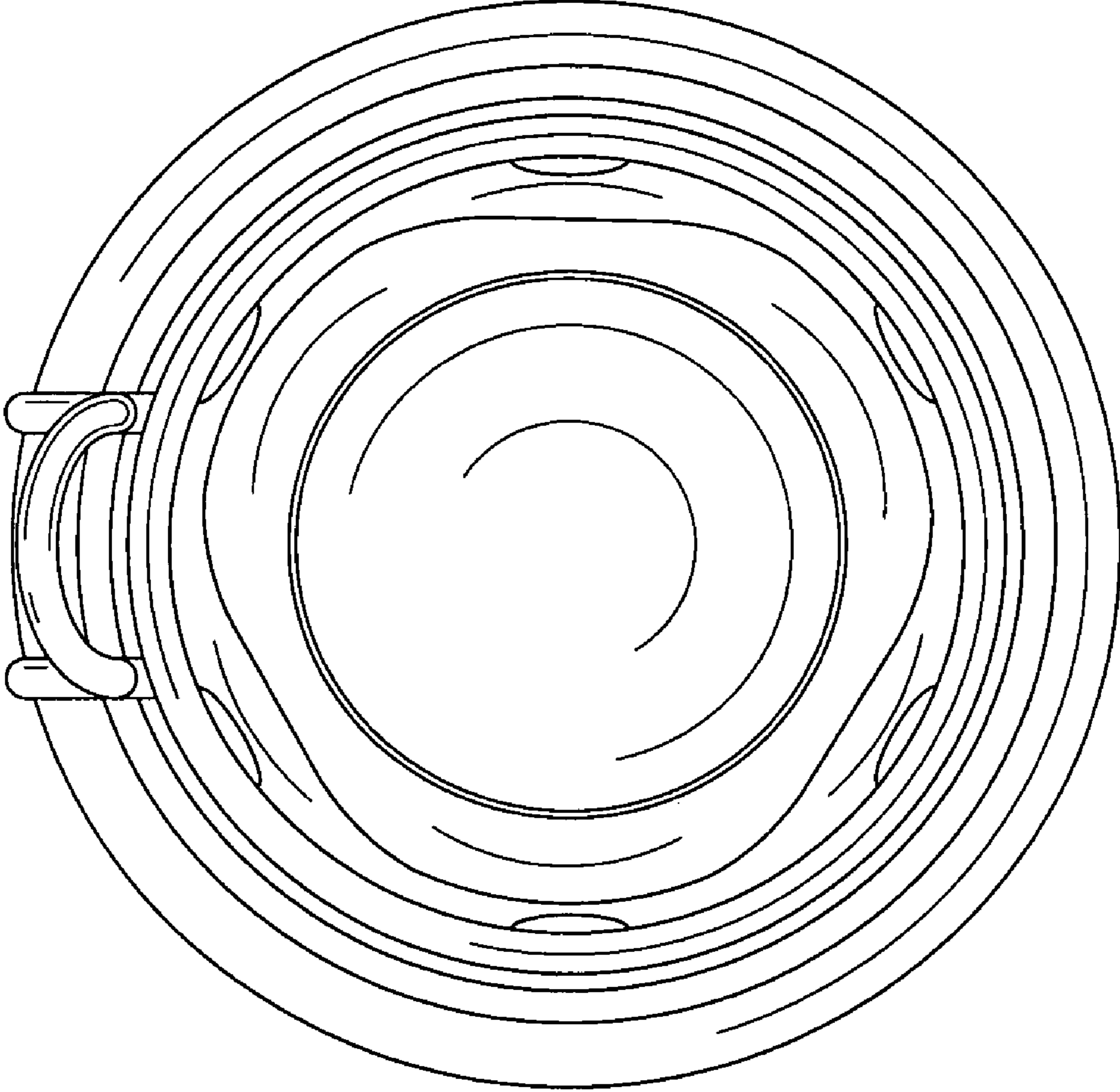




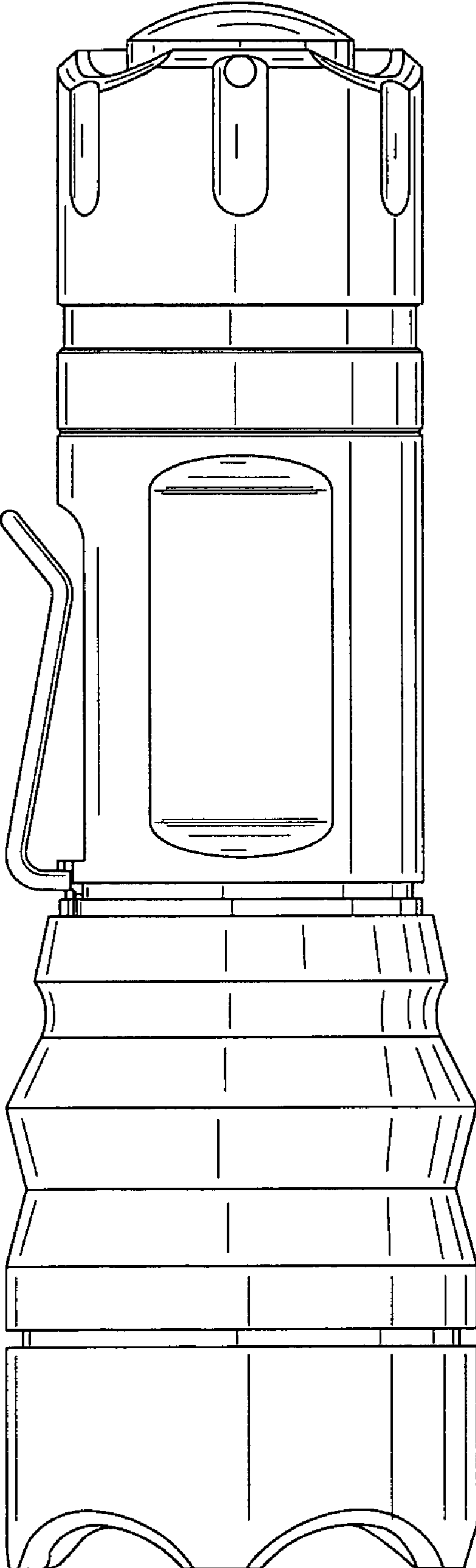
**FIG. 8**



**FIG. 9**



**FIG. 10**



**FIG. 11**

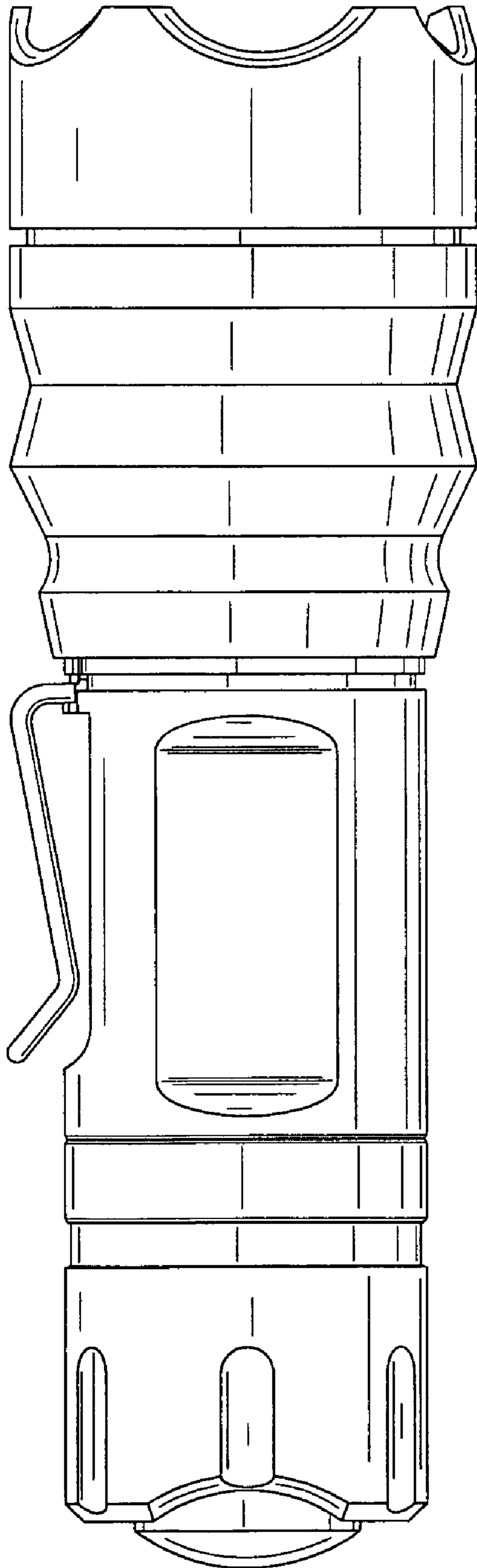
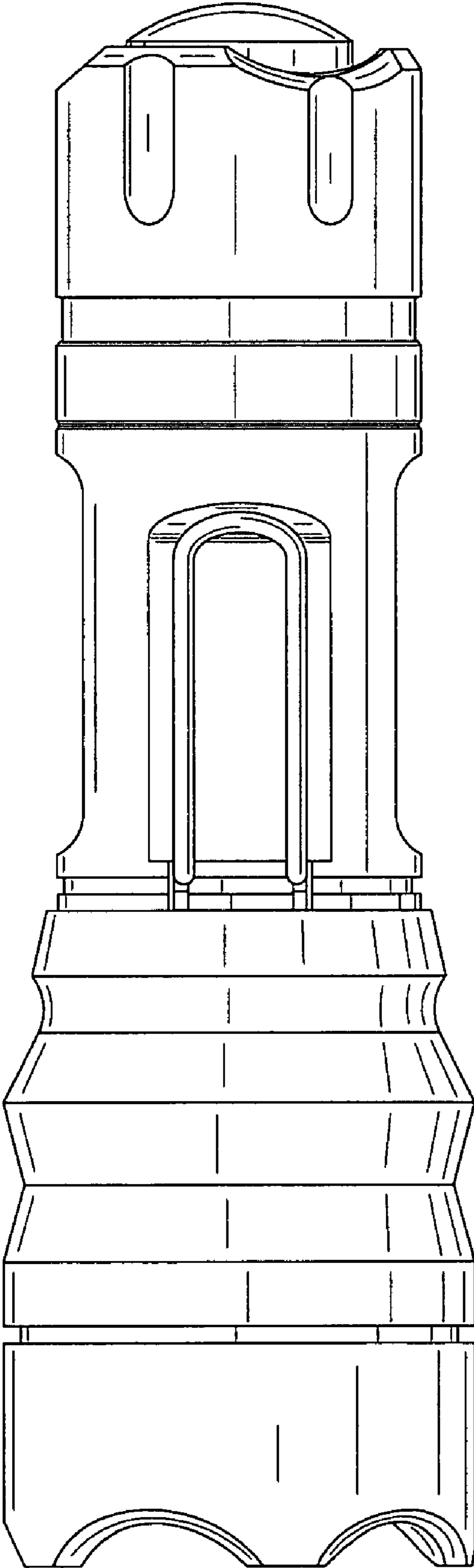
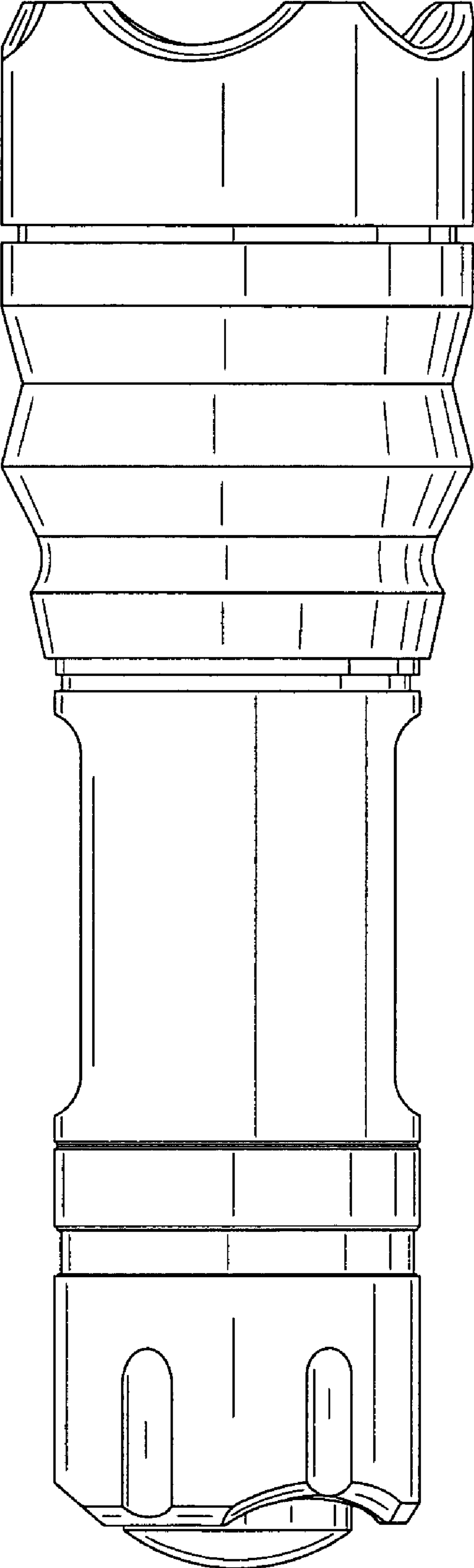


FIG. 12



**FIG. 13**





**FIG. 14**