



US00D595438S

(12) **United States Design Patent**
Duszynski

(10) **Patent No.:** **US D595,438 S**

(45) **Date of Patent:** **** Jun. 30, 2009**

(54) **THREE LIGHT FLASHLIGHT**

D547,474 S * 7/2007 Chen et al. D26/37
D565,215 S * 3/2008 Lee D26/37

(75) Inventor: **Dan Duszynski**, Clayton, NC (US)

* cited by examiner

(73) Assignee: **ICC Innovative Concepts Corporation**,
Canton, CT (US)

Primary Examiner—Ian Simmons

Assistant Examiner—Dana L Sipos

(**) Term: **14 Years**

(74) *Attorney, Agent, or Firm*—Thompson Hine LLP;
Anthony H. Handal

(21) Appl. No.: **29/285,865**

(57) **CLAIM**

(22) Filed: **Apr. 12, 2007**

The ornamental design for a three light flashlight, substantially as shown and described.

(51) **LOC (9) Cl.** **26-02**

(52) **U.S. Cl.** **D26/46**

(58) **Field of Classification Search** D26/37–38,
D26/43, 46, 48, 49–50; 362/157–158, 183,
362/194–199, 202–208, 159, 184, 192
See application file for complete search history.

DESCRIPTION

FIG. 1 is a top, front, right side perspective view of a three light flashlight showing my new design;

FIG. 2 is a top plan view thereof;

FIG. 3 is a bottom plan view thereof;

FIG. 4 is a front elevation view thereof;

FIG. 5 is a rear elevation view thereof;

FIG. 6 is a right side elevation view thereof;

FIG. 7 is a left side elevation view thereof;

FIG. 8 is a bottom perspective view thereof; and,

FIG. 9 is a bottom, front, right side perspective view thereof, showing the crank handle in the charging position.

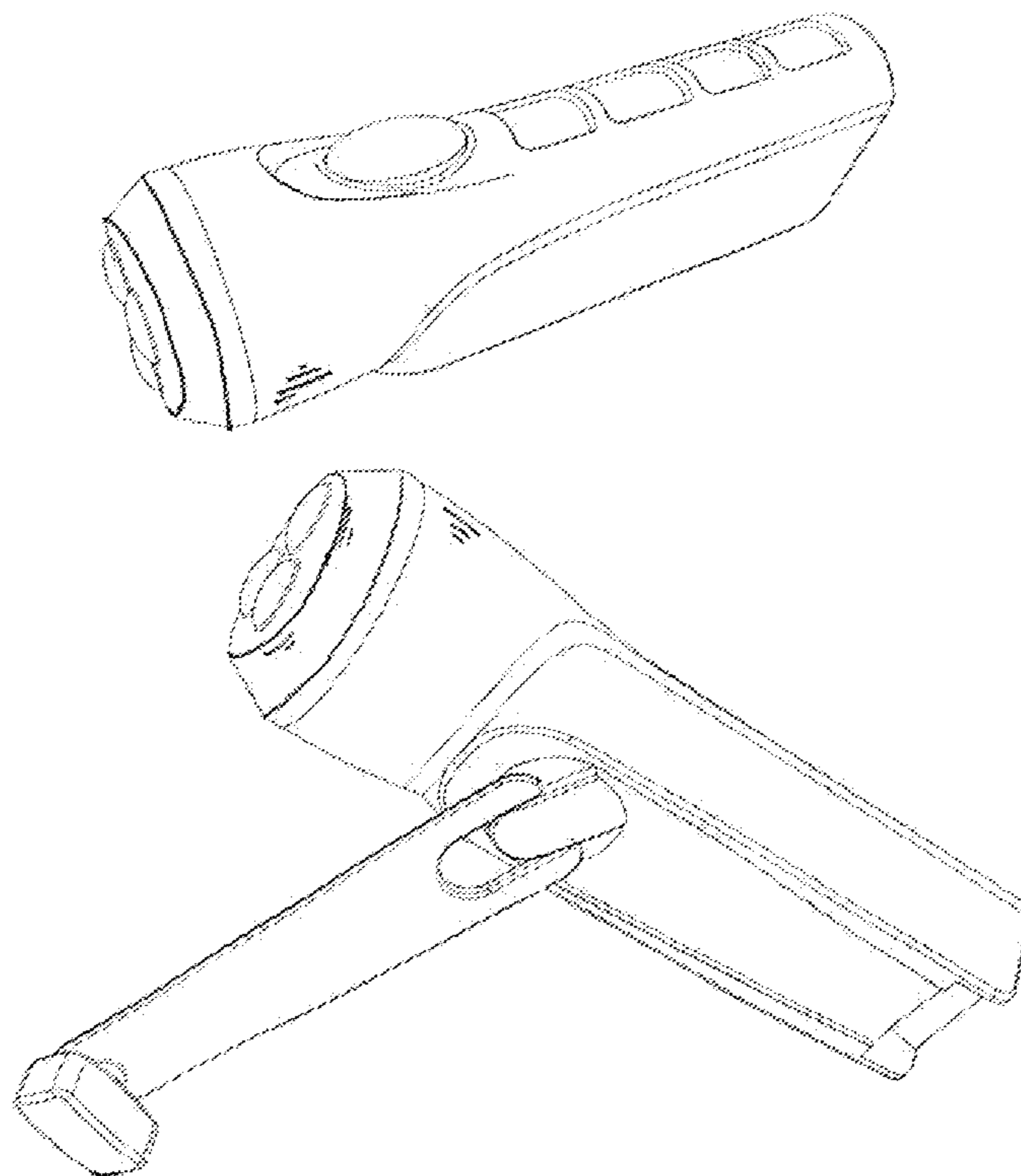
The broken lines in the drawings illustrate the portions of the design that form no part of the claim.

(56) **References Cited**

U.S. PATENT DOCUMENTS

D140,335 S *	2/1945	Chapman	D26/37
D407,170 S *	3/1999	Yuen	D26/37
D447,586 S *	9/2001	Shing	D26/39
D506,560 S *	6/2005	Oas	D26/39
6,959,999 B2 *	11/2005	Lee	362/192
D531,337 S *	10/2006	Dalton et al.	D26/49
D536,813 S *	2/2007	Yuen	D26/38
D540,968 S *	4/2007	Lee	D26/37
7,222,984 B2 *	5/2007	Lee	362/192
D544,617 S *	6/2007	Johnson	D26/37
D544,973 S *	6/2007	Lee	D26/37

1 Claim, 1 Drawing Sheet



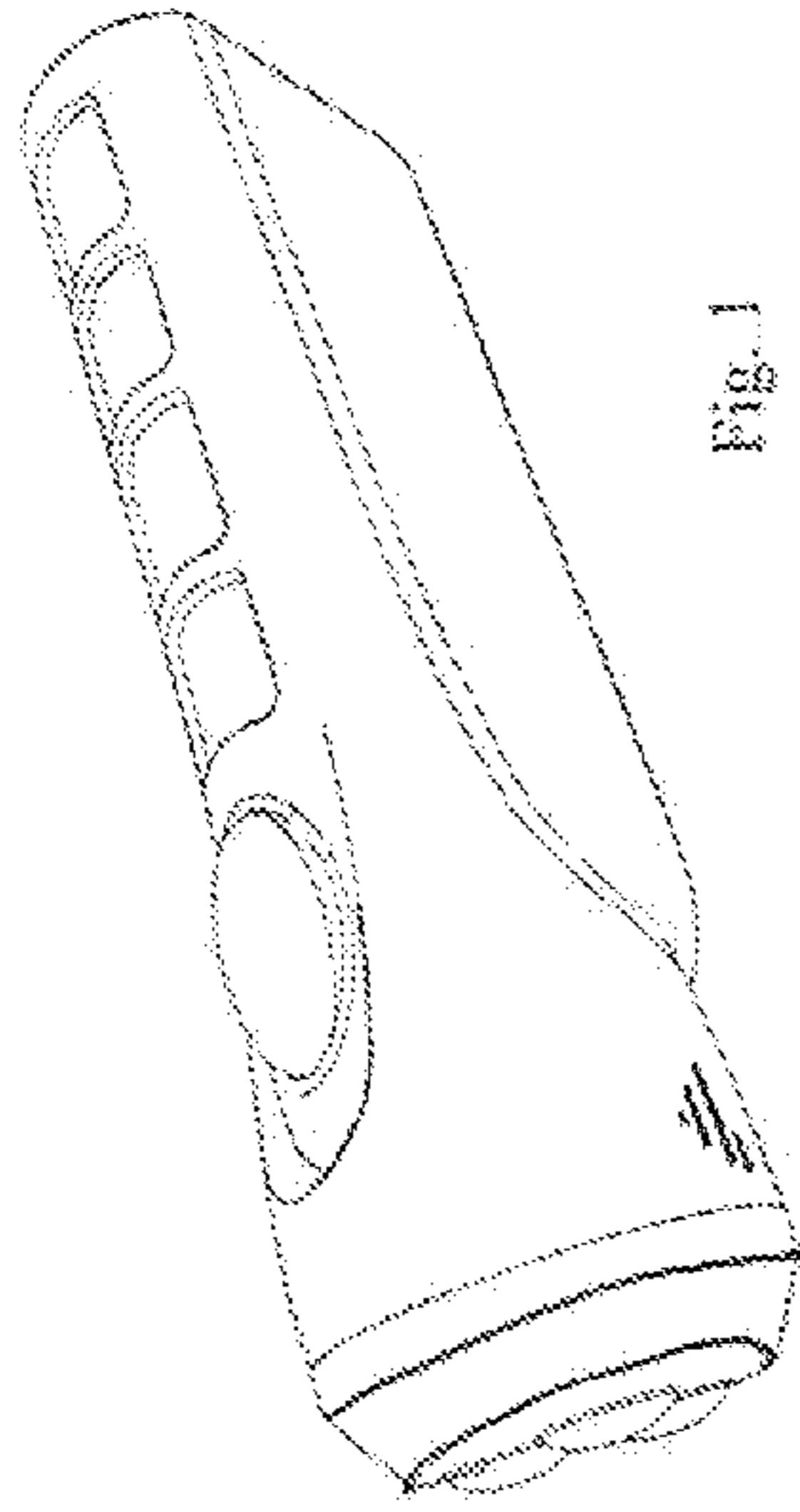


Fig. 1

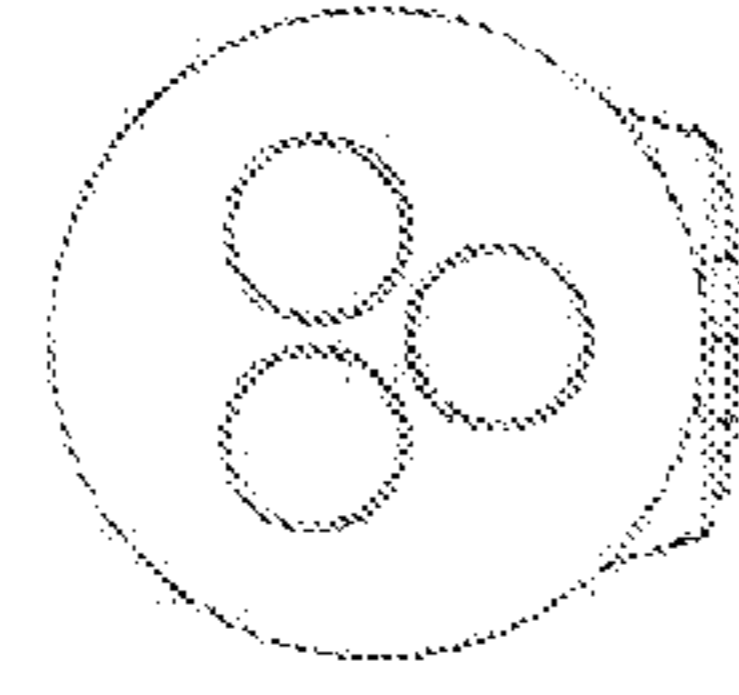


Fig. 4

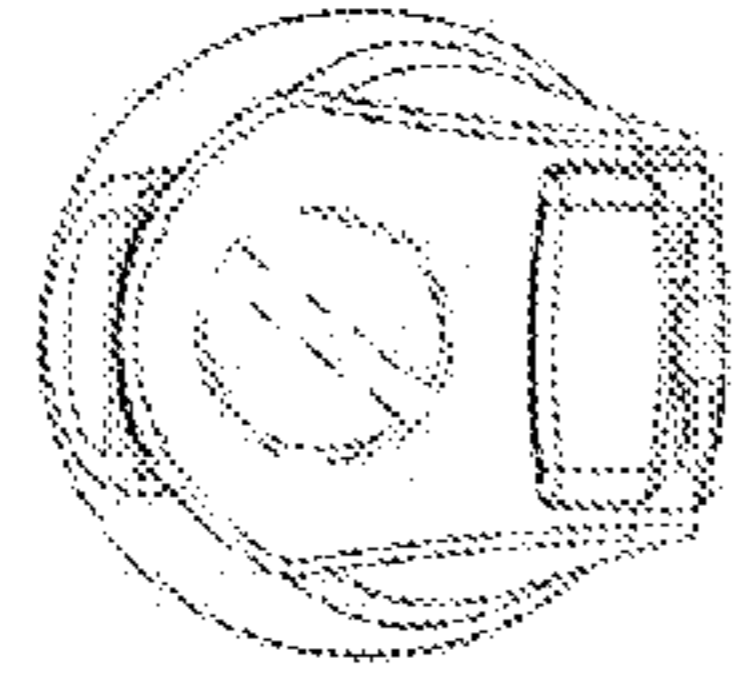


Fig. 5

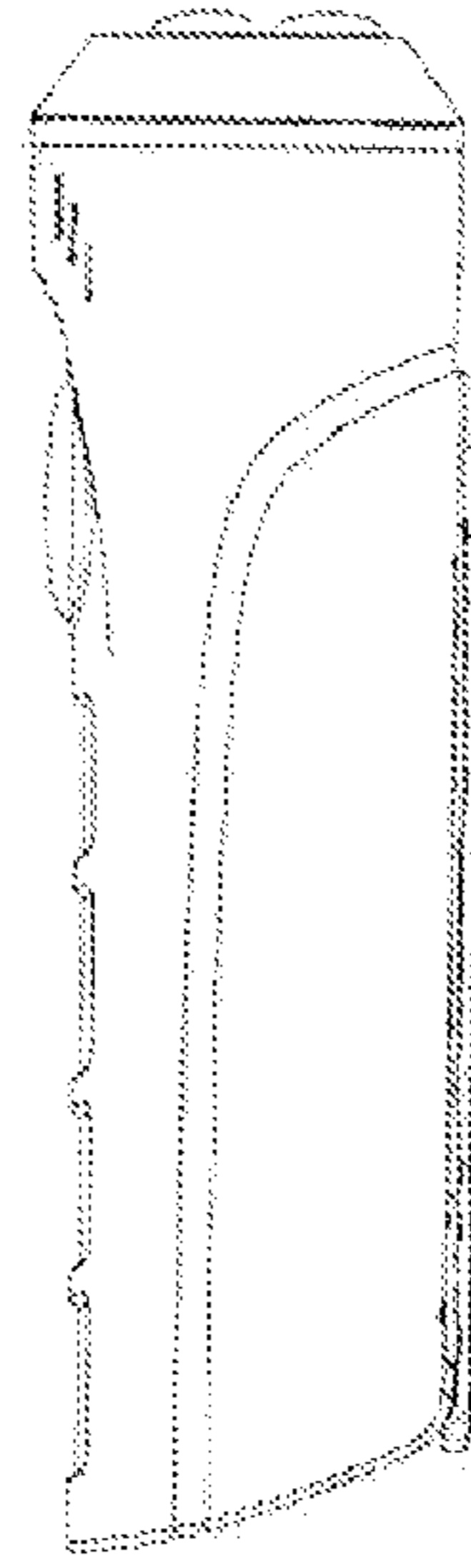


Fig. 2

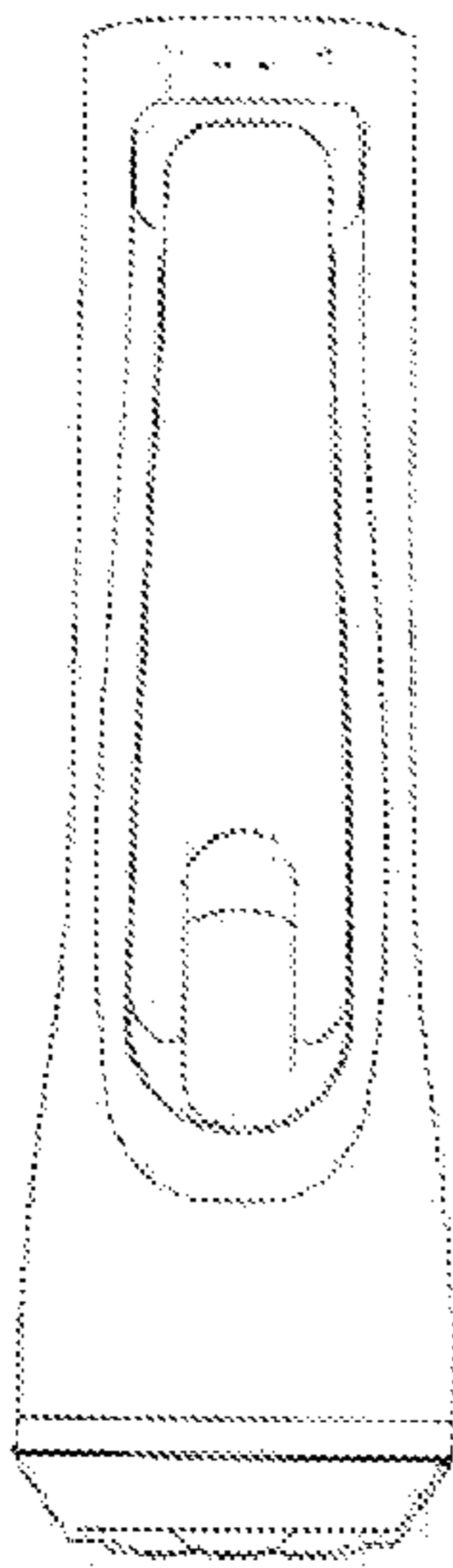


Fig. 3

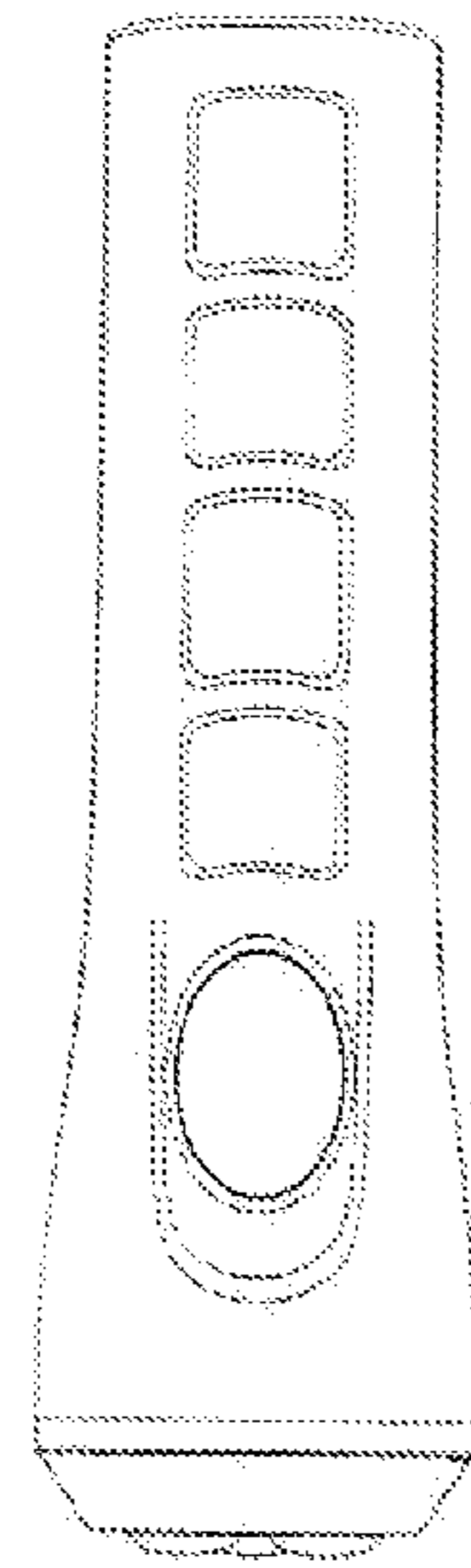


Fig. 6

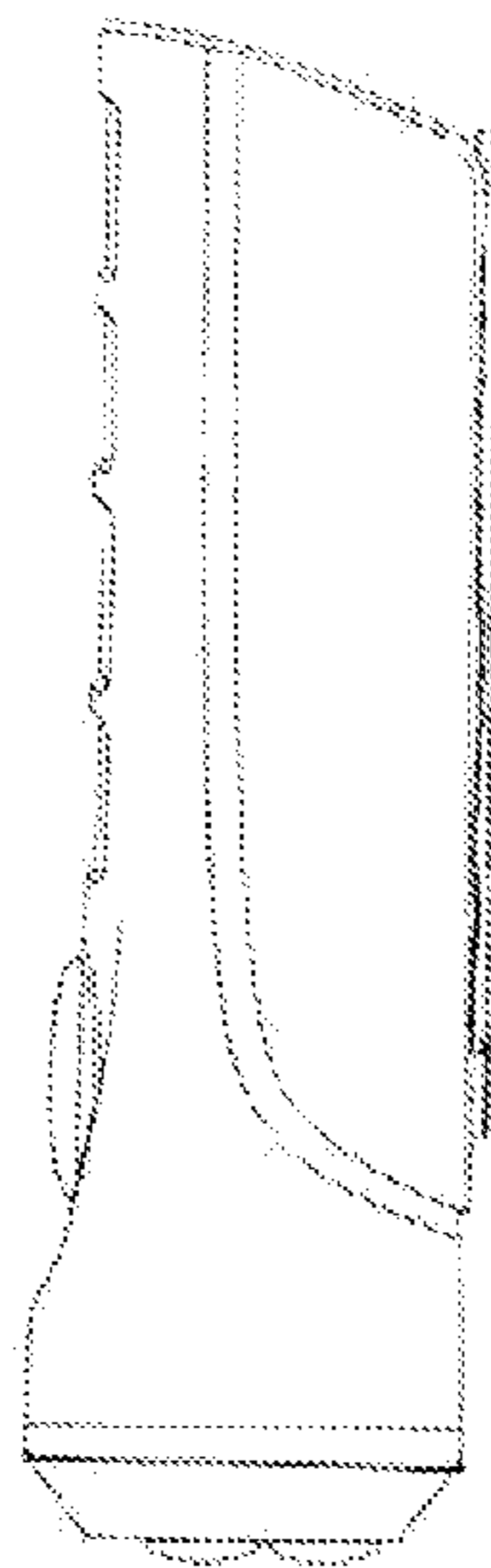


Fig. 7

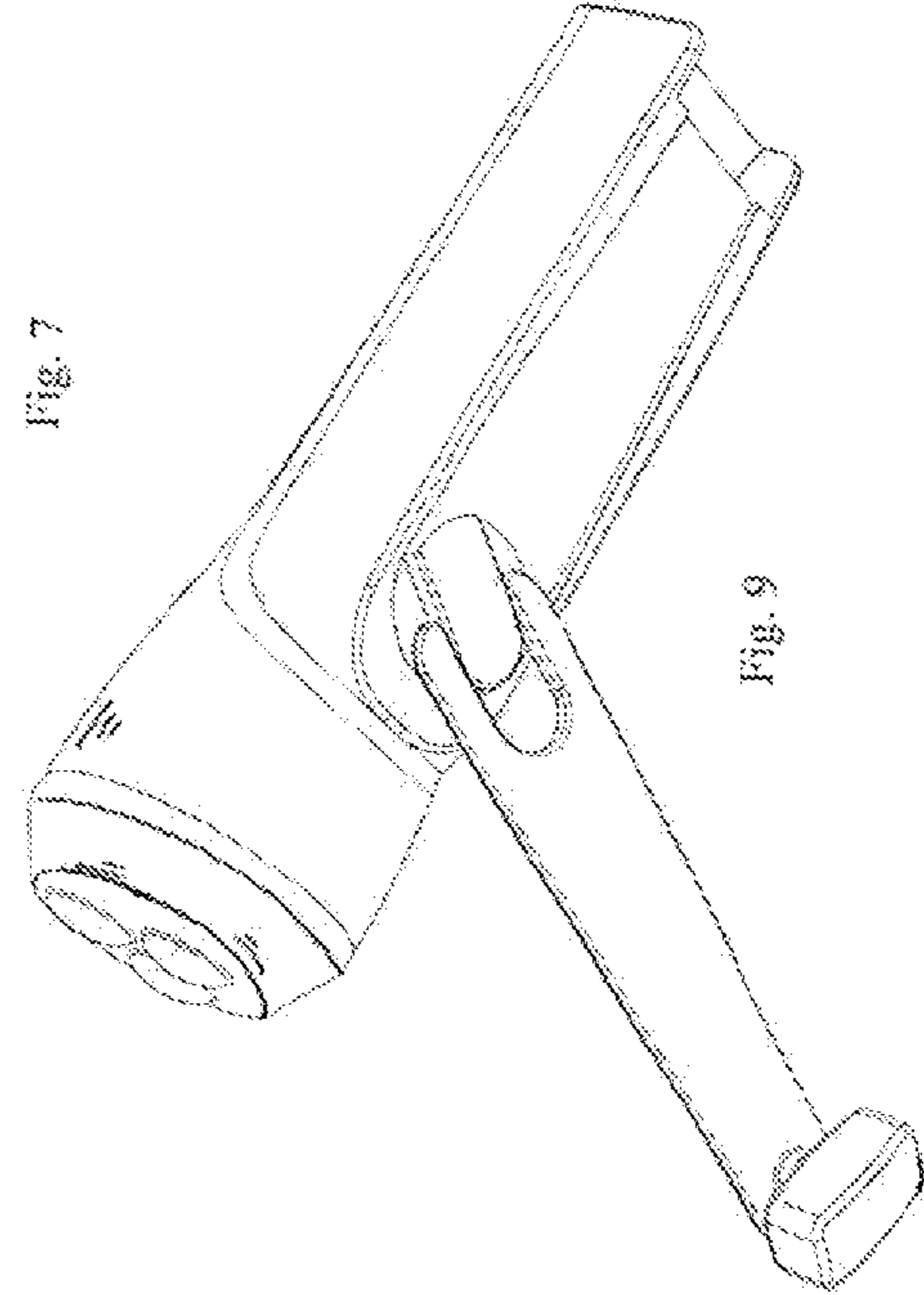


Fig. 9

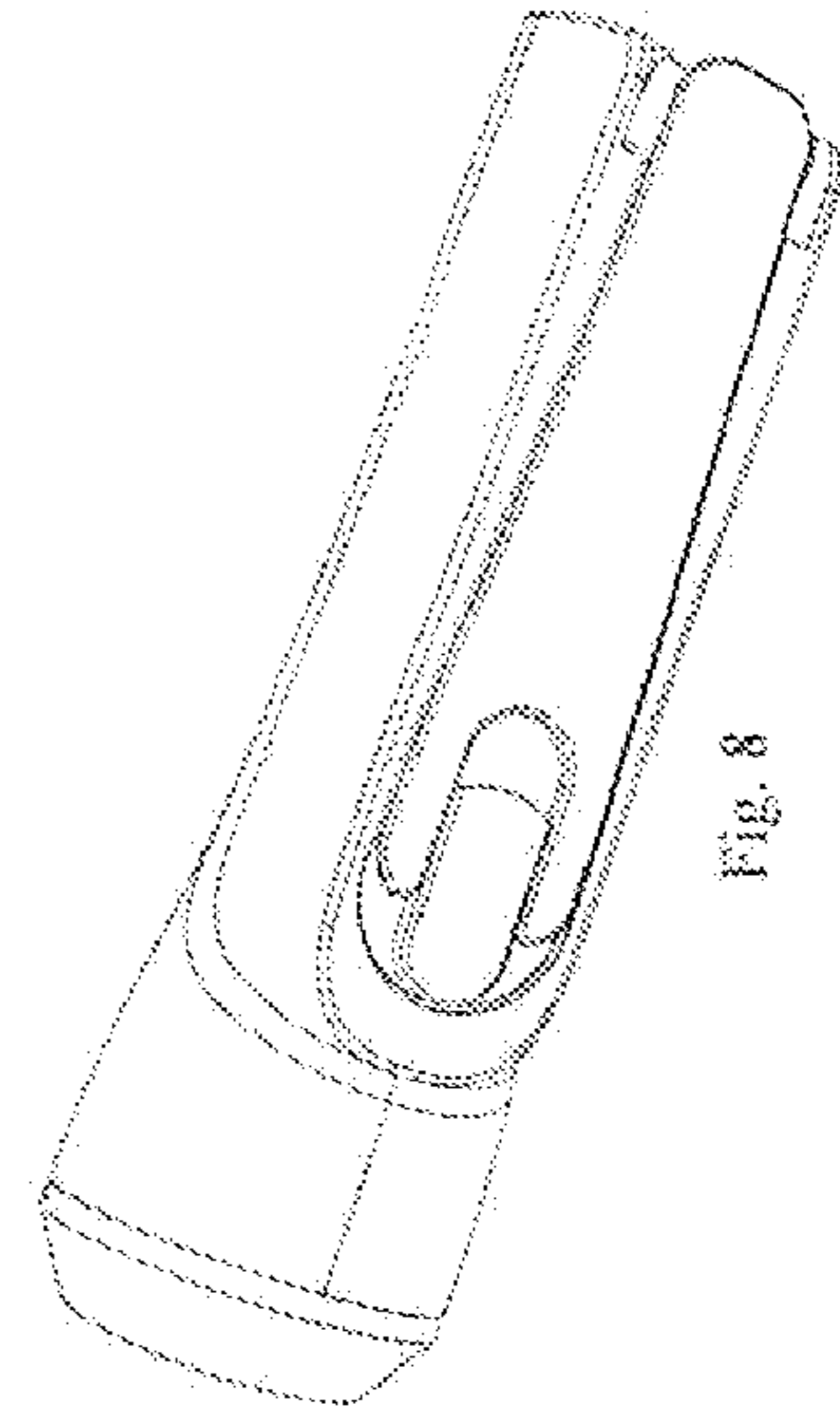


Fig. 8