

US00D595436S

(12) **United States Design Patent**
Kumai et al.

(10) **Patent No.:** **US D595,436 S**
(45) **Date of Patent:** **** Jun. 30, 2009**

(54) **FRONT COMBINATION LAMP FOR AN
AUTOMOBILE**

D563,576 S * 3/2008 Hanaoka D26/28

(75) Inventors: **Yahiko Kumai**, Toyota (JP); **Yukinobu
Morioka**, Suita (JP)

(73) Assignee: **Toyota Jidosha Kabushiki Kaisha**,
Toyota (JP)

(**) Term: **14 Years**

(21) Appl. No.: **29/300,160**

(22) Filed: **Feb. 27, 2008**

(51) **LOC (9) Cl.** **26-06**

(52) **U.S. Cl.** **D26/28**

(58) **Field of Classification Search** D26/28-36;
362/459-468, 475-478, 485-487

See application file for complete search history.

(56) **References Cited**

U.S. PATENT DOCUMENTS

D535,409 S *	1/2007	Yamaguchi	D26/28
D535,764 S *	1/2007	Yamaguchi	D26/28
D538,956 S *	3/2007	Ishii	D26/28
D544,614 S *	6/2007	Markefka	D26/28

OTHER PUBLICATIONS

Honda Life Brochure, Honda Motor Co. Ltd., Feb. 2007.

Toyota Raum Brochure, Toyota Jidosha Kabushiki Kaisha, Dec. 2006.

Toyota Wish Brochure, Toyota Jidosha Kabushiki Kaisha, Apr. 2003.

* cited by examiner

Primary Examiner—Marcus A. Jackson

(74) *Attorney, Agent, or Firm*—Finnegan, Henderson,
Farabow, Garrett & Dunner, L.L.P.

(57) **CLAIM**

The ornamental design for a front combination lamp for an automobile, as shown.

DESCRIPTION

FIG. 1 is a perspective view of a front combination lamp for an automobile showing our new design;

FIG. 2 is a front view thereof;

FIG. 3 is a top plan view thereof; and,

FIG. 4 is a right side view thereof.

1 Claim, 3 Drawing Sheets



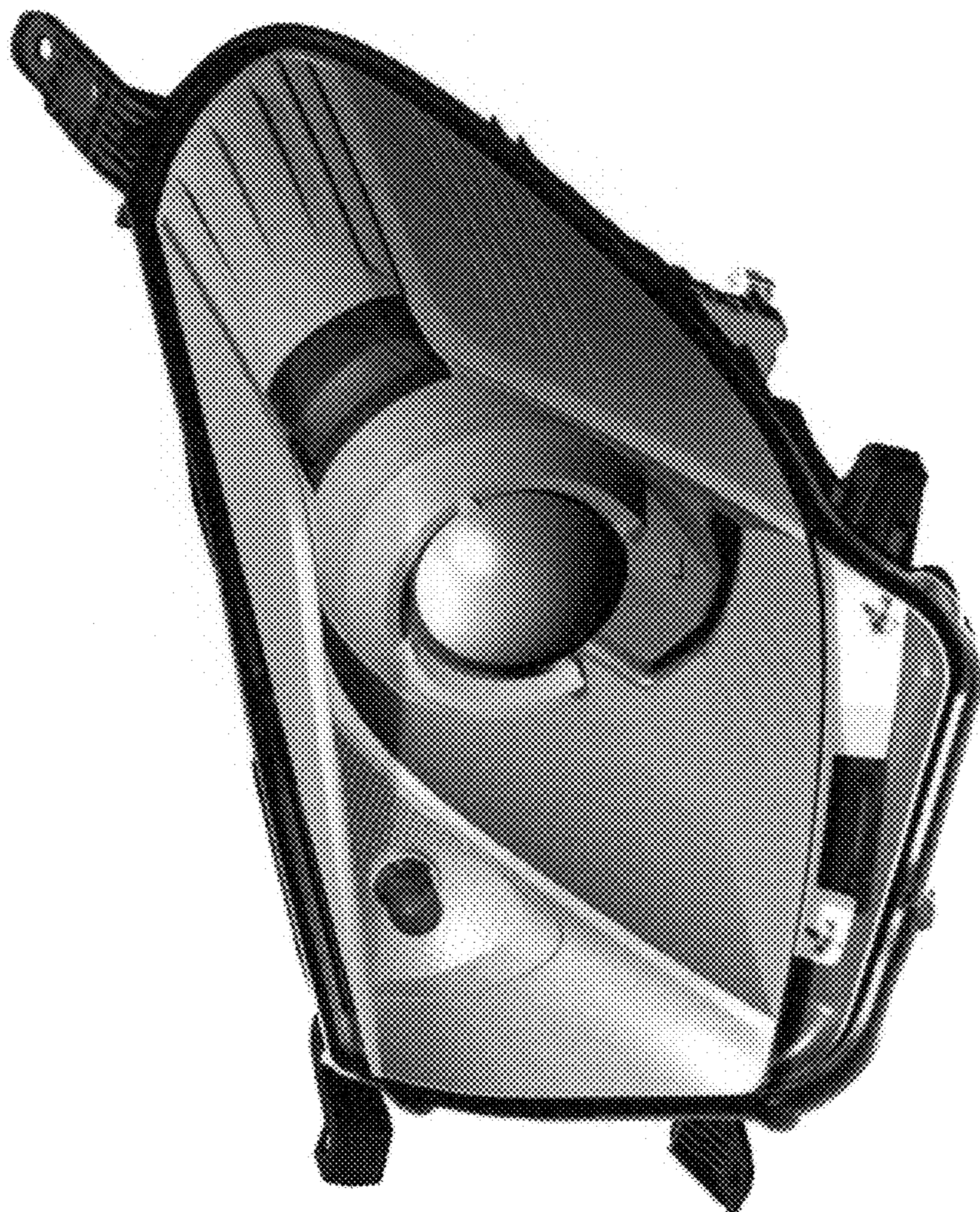


FIG. 1

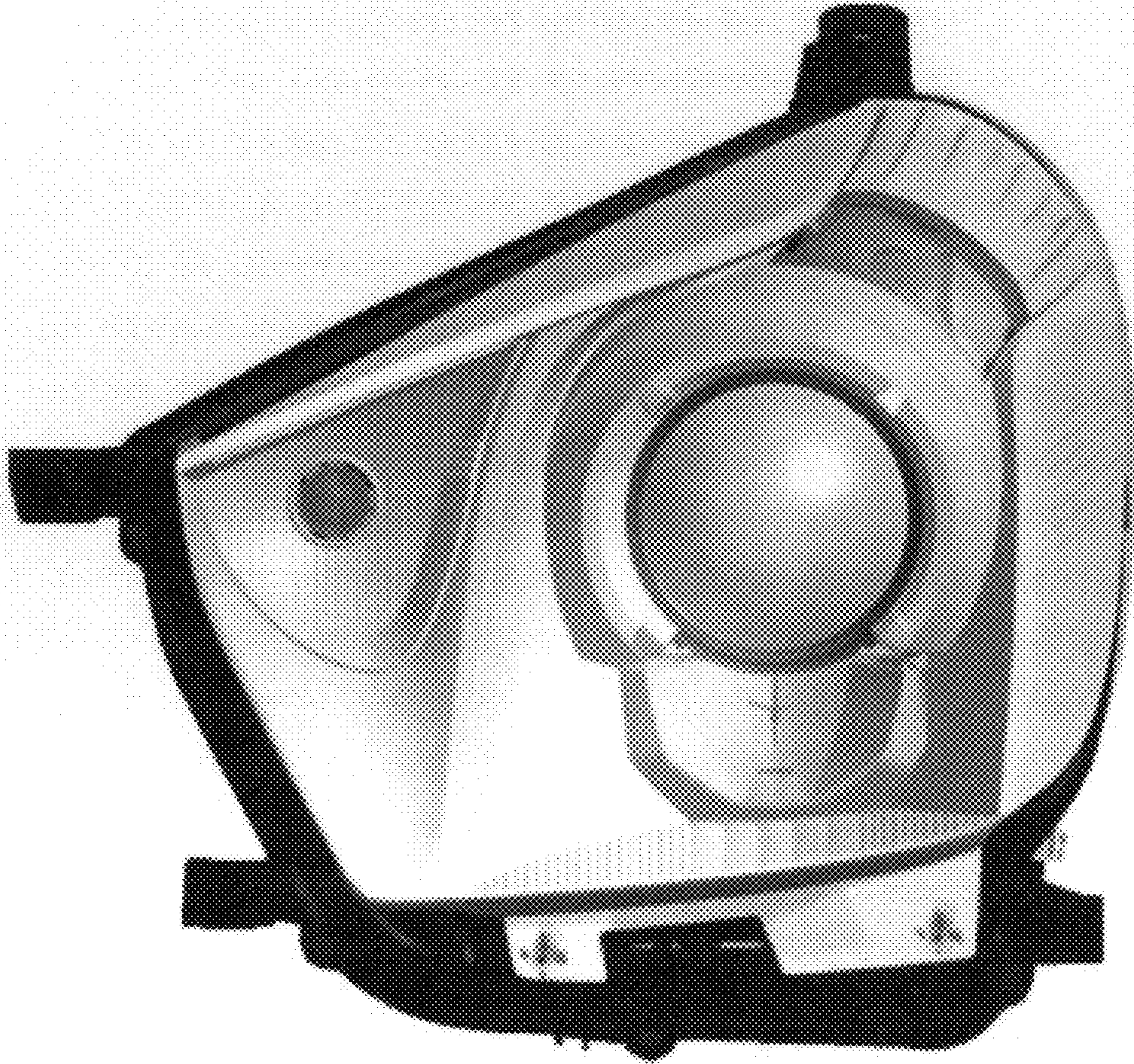


FIG. 2

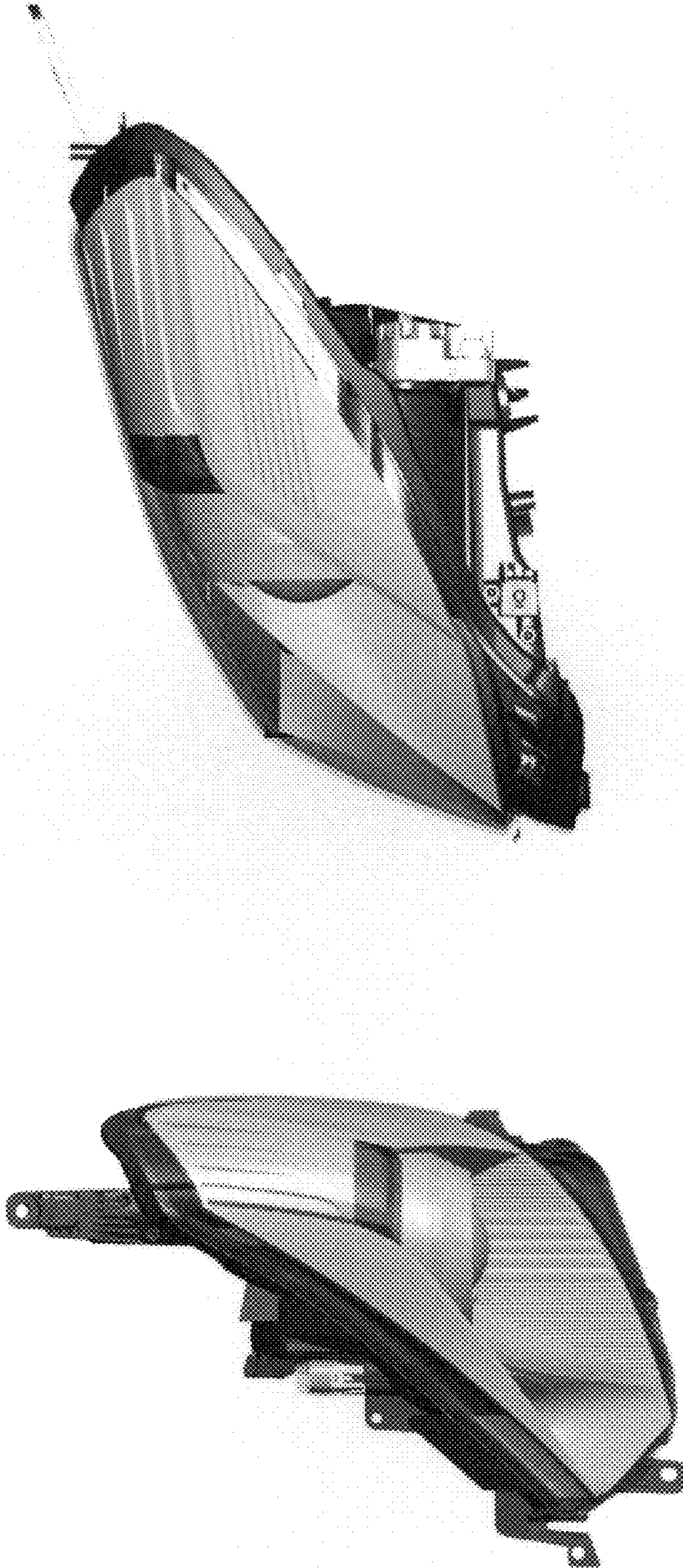


FIG. 4

FIG. 3