



US00D595430S

(12) **United States Design Patent**
Heath et al.

(10) **Patent No.:** **US D595,430 S**
(45) **Date of Patent:** **** Jun. 30, 2009**

- (54) **SIMULATED STONE ARCHITECTURAL TRIM ASSEMBLY**
- (75) Inventors: **Robert W. Heath**, Napa, CA (US);
Donald W. Ferguson, Napa, CA (US)
- (73) Assignee: **Owens Corning Intellectual Capital, LLC DE (US)**
- (**) Term: **14 Years**
- (21) Appl. No.: **29/289,681**
- (22) Filed: **Jul. 27, 2007**

- 2003/0106703 A1 6/2003 Wilson
- 2004/0003561 A1 1/2004 Ringness
- 2004/0103591 A1 6/2004 Chornenky
- 2004/0123556 A1 7/2004 Karanikas
- 2004/0161546 A1 8/2004 Clemmer
- 2004/0221540 A1 11/2004 Simons
- 2005/0000180 A1 1/2005 Yoon

Primary Examiner—Catherine R Oliver
(74) *Attorney, Agent, or Firm*—James J. Dottavio; Joan N. Drew

Related U.S. Application Data

- (63) Continuation-in-part of application No. 29/245,705, filed on Dec. 28, 2005, now Pat. No. Des. 552,265, and a continuation-in-part of application No. 11/320,032, filed on Dec. 28, 2005.
- (51) **LOC (9) Cl.** **25-01**
- (52) **U.S. Cl.** **D25/136**
- (58) **Field of Classification Search** D25/136–137, D25/152–155, 113, 102, 119, 151, 58, 164, D25/199; 52/314–315, 311.1, 311.2, 39, 52/273, 455, 716.8, 232
See application file for complete search history.

References Cited

U.S. PATENT DOCUMENTS

- D245,268 S 8/1977 Maresca
- 5,440,847 A 8/1995 Butler
- 6,530,675 B1 3/2003 Van Etten
- 6,547,589 B2 4/2003 Magyar et al.
- 6,629,395 B1 10/2003 Karanikas
- 6,881,094 B2 4/2005 Magyar et al.
- D518,901 S 4/2006 Stackenwalt et al.
- 2002/0041937 A1 4/2002 Clemmer
- 2003/0037952 A1 2/2003 Wilson

(57) **CLAIM**

The ornamental design for a simulated stone architectural trim assembly, as shown and described.

DESCRIPTION

The claimed simulated stone architectural trim assembly is used to surround an electrical junction box and can be mounted on an exterior or interior surface.

FIG. 1 is a top plan view of one embodiment of a simulated stone architectural trim assembly showing our new design;

FIG. 2 is a front elevational view of the design of FIG. 1;

FIG. 3 is a side elevational view of the design of FIG. 1;

FIG. 4 is a view taken along the line 4—4 in FIG. 1;

FIG. 5 is a view taken along the line 5—5 in FIG. 1;

FIG. 6 is a top plan view of another embodiment of a simulated stone architectural trim assembly showing our new design;

FIG. 7 is a front elevational view of the design of FIG. 6;

FIG. 8 is a side elevational view of the design of FIG. 6;

FIG. 9 is a view taken along the line 9—9 in FIG. 6; and,

FIG. 10 is a view taken along the line 10—10 in FIG. 6.

The rear of the simulated stone architectural trim assembly forms no part of the claimed design.

1 Claim, 4 Drawing Sheets

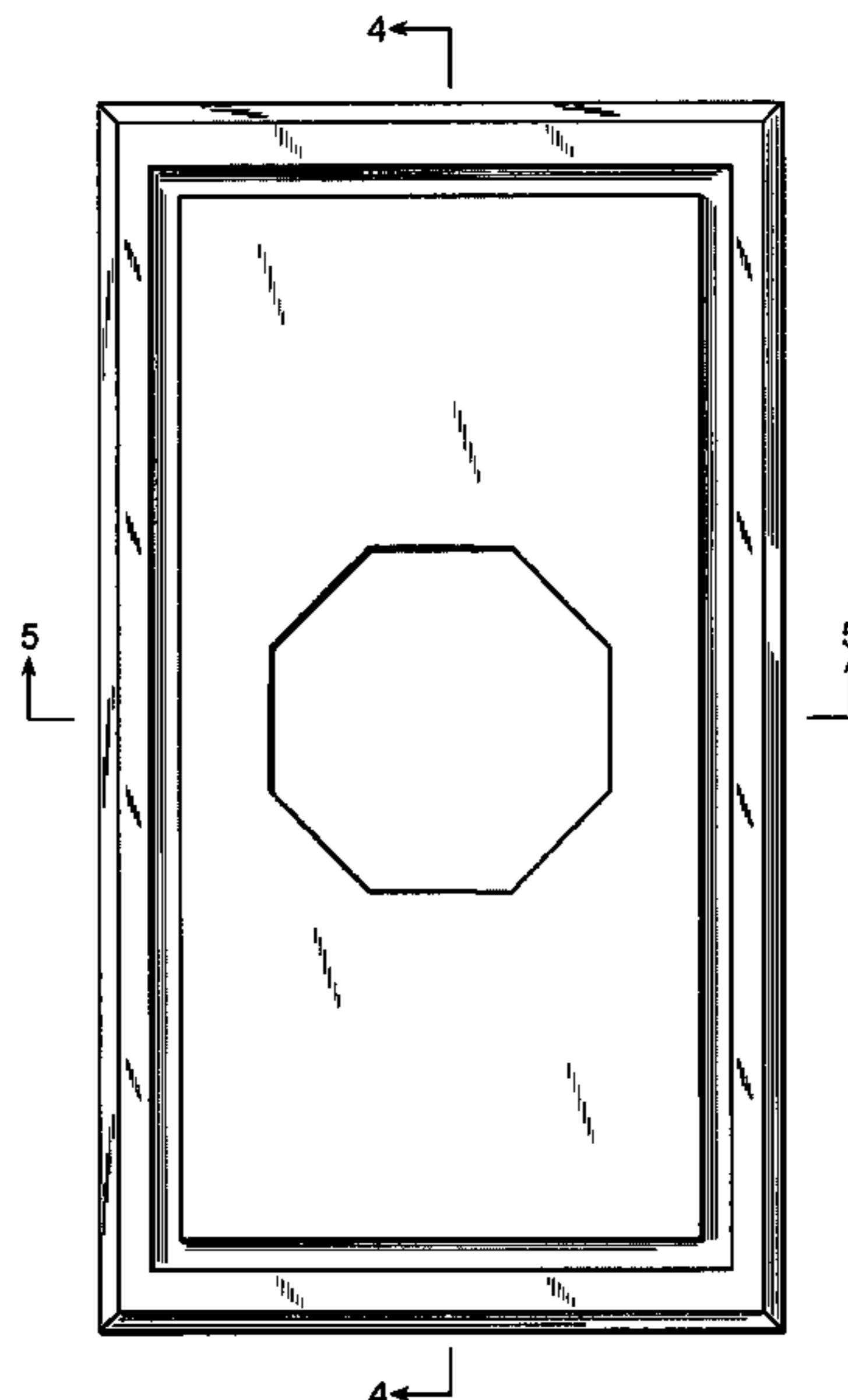


FIG. 1

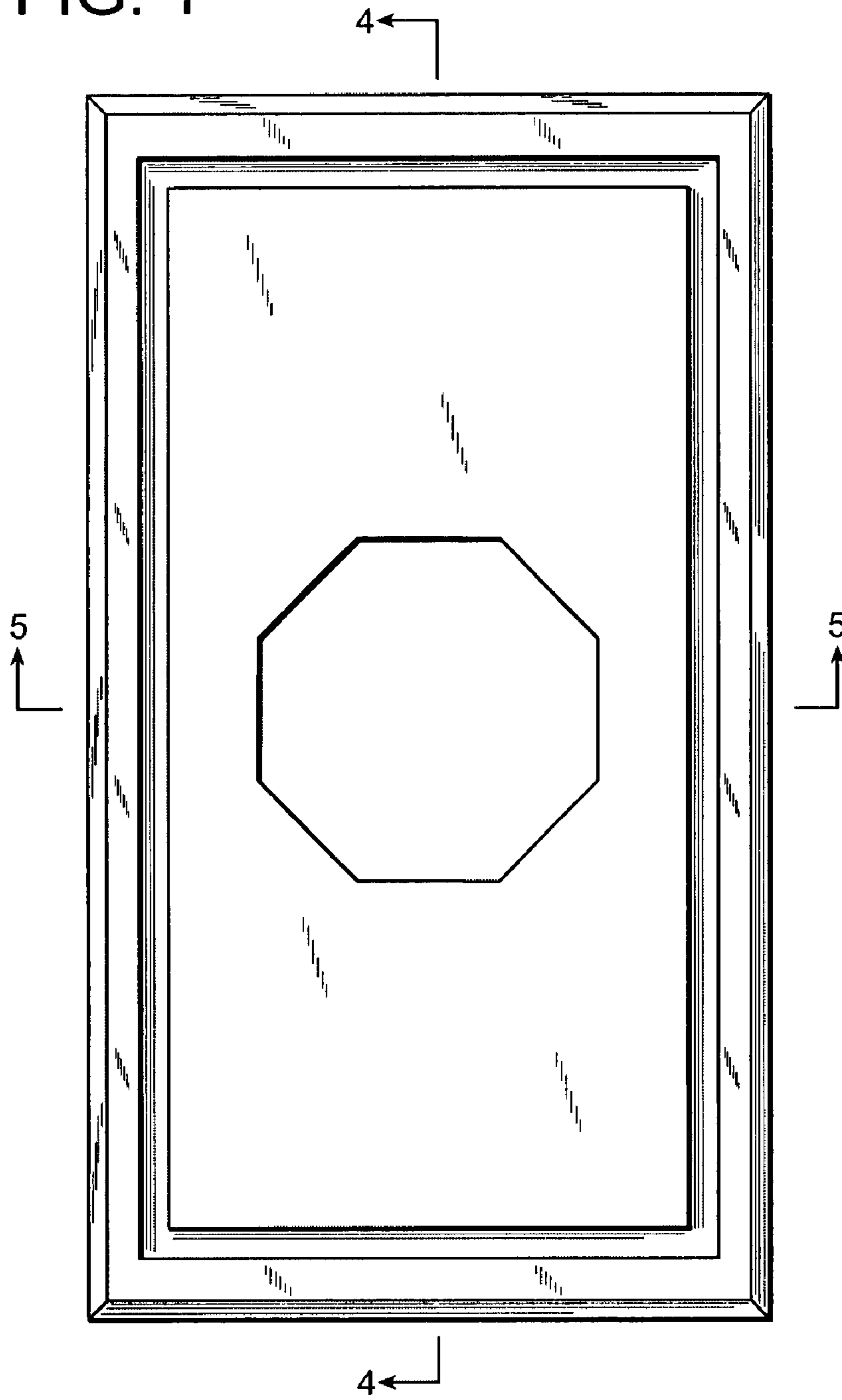


FIG. 2

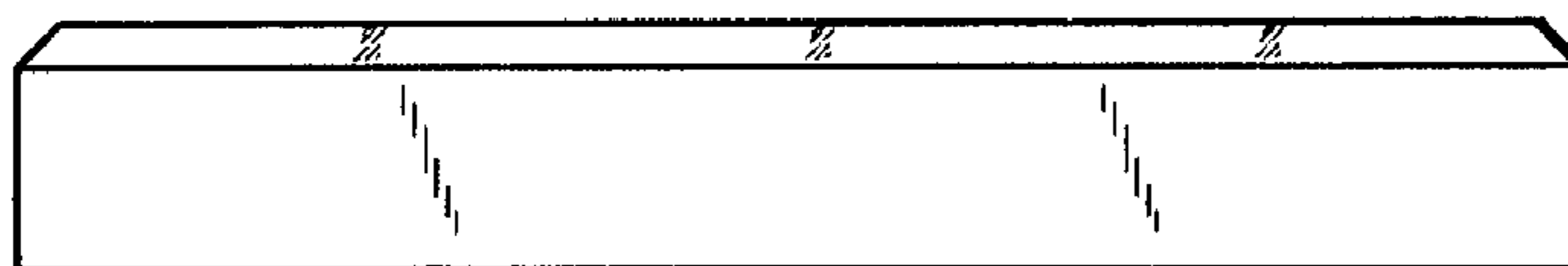


FIG. 3

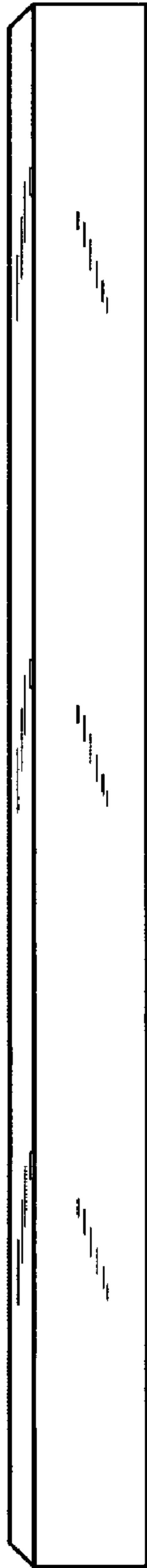


FIG. 4



FIG. 5



FIG. 6

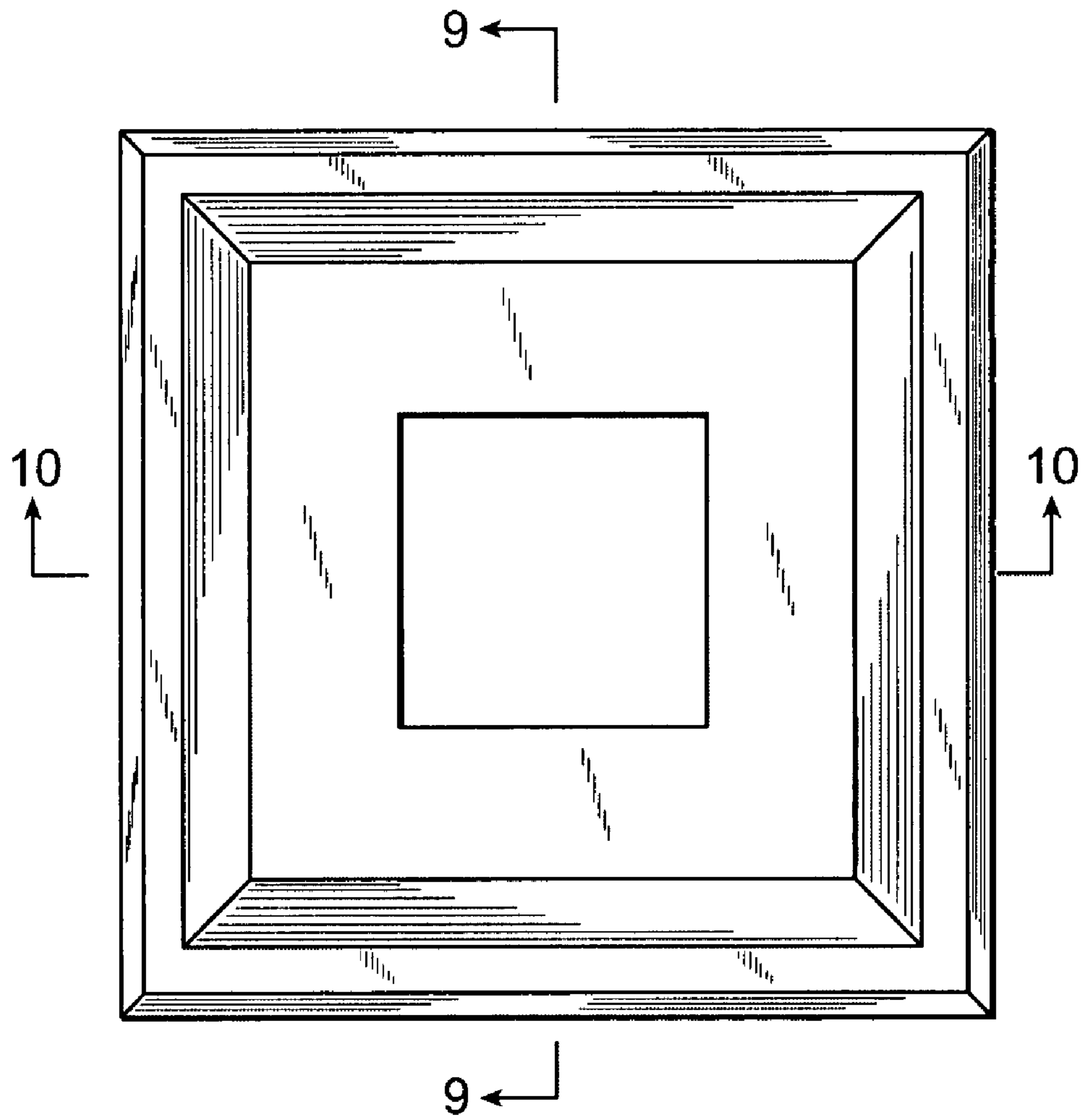


FIG. 7

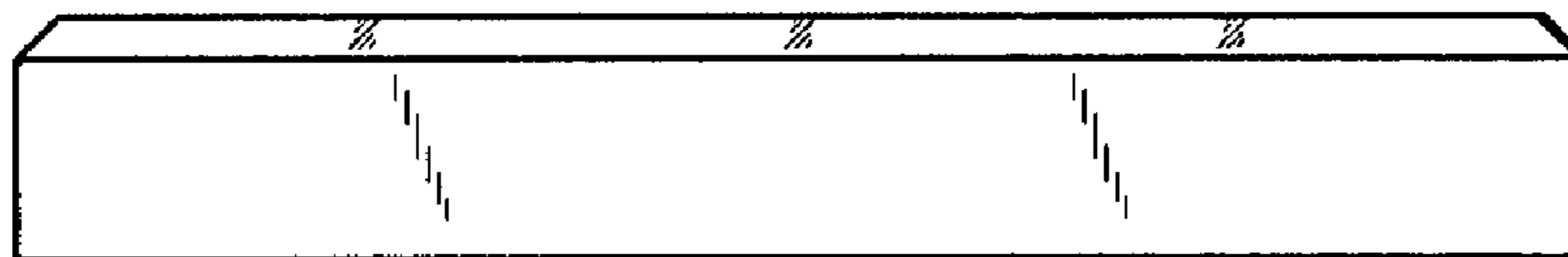


FIG. 8

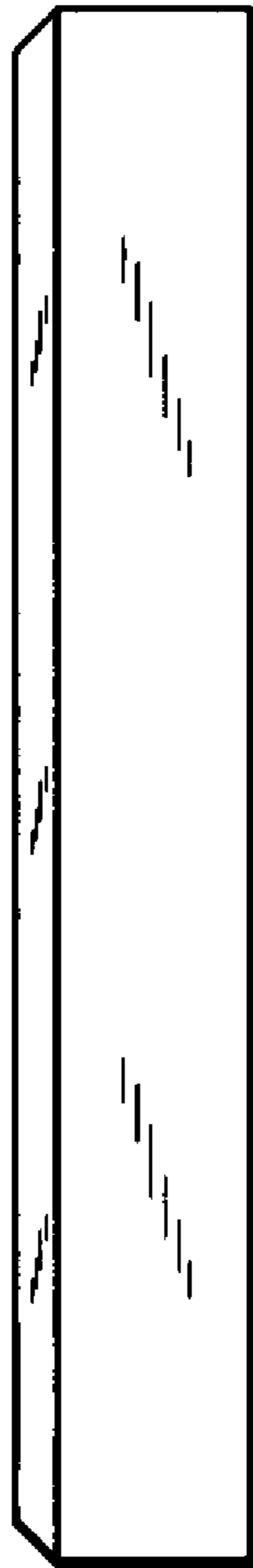


FIG. 9

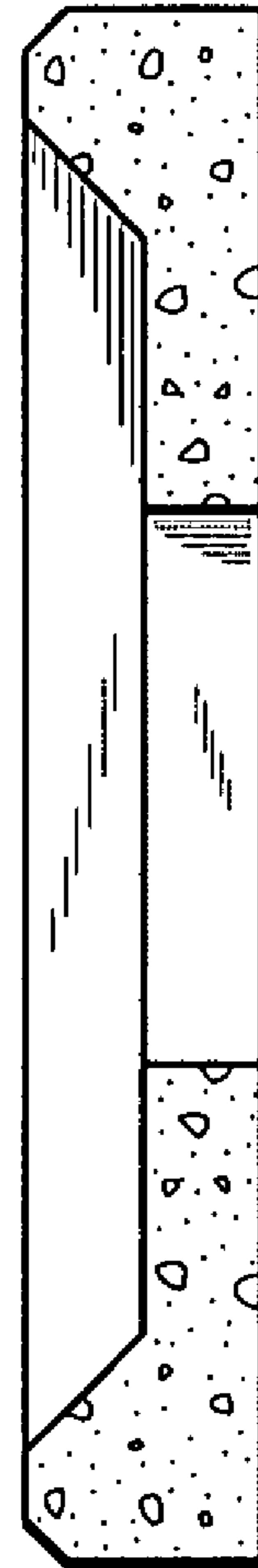


FIG. 10

