



US00D595428S

(12) **United States Design Patent**
Roberts et al.

(10) **Patent No.:** **US D595,428 S**
(45) **Date of Patent:** **** Jun. 30, 2009**

(54) **ROLL UP DOOR**
(75) Inventors: **Gary Roberts**, Fruitport, MI (US); **Tom Gerst**, Twin Lake, MI (US)
(73) Assignee: **Fleet Engineers, Incorporated**, Muskegon, MI (US)

6,672,362 B1 1/2004 Mullet et al.
D487,521 S 3/2004 Link
6,742,563 B2 * 6/2004 Belanger 160/133
6,766,845 B2 * 7/2004 Rejc 160/133
6,826,887 B2 12/2004 Skov
D565,744 S 4/2008 Mock et al.

(**) Term: **14 Years**

* cited by examiner

Primary Examiner—Doris Clark
(74) *Attorney, Agent, or Firm*—McGarry Bair PC

(21) Appl. No.: **29/306,634**

(22) Filed: **Apr. 14, 2008**

(57) **CLAIM**

(51) **LOC (9) Cl.** **25-02**
(52) **U.S. Cl.** **D25/49**
(58) **Field of Classification Search** D25/48,
D25/49; 160/66, 133, 238, 229.1, 201
See application file for complete search history.

The ornamental design for a roll up door, as shown and described.

DESCRIPTION

(56) **References Cited**

U.S. PATENT DOCUMENTS

3,980,123 A 9/1976 Vago
D286,433 S * 10/1986 Greco D25/50
D327,465 S 6/1992 Word et al.
5,445,208 A 8/1995 Shaner et al.
5,573,050 A * 11/1996 Henkenjohann 160/133
D408,553 S * 4/1999 Lai D25/49
D425,845 S 5/2000 Gerding et al.
D450,857 S * 11/2001 Schoeren D25/49

FIG. 1 is a right front perspective view of a roll up door which embodies our design;

FIG. 2 is a front view thereof;

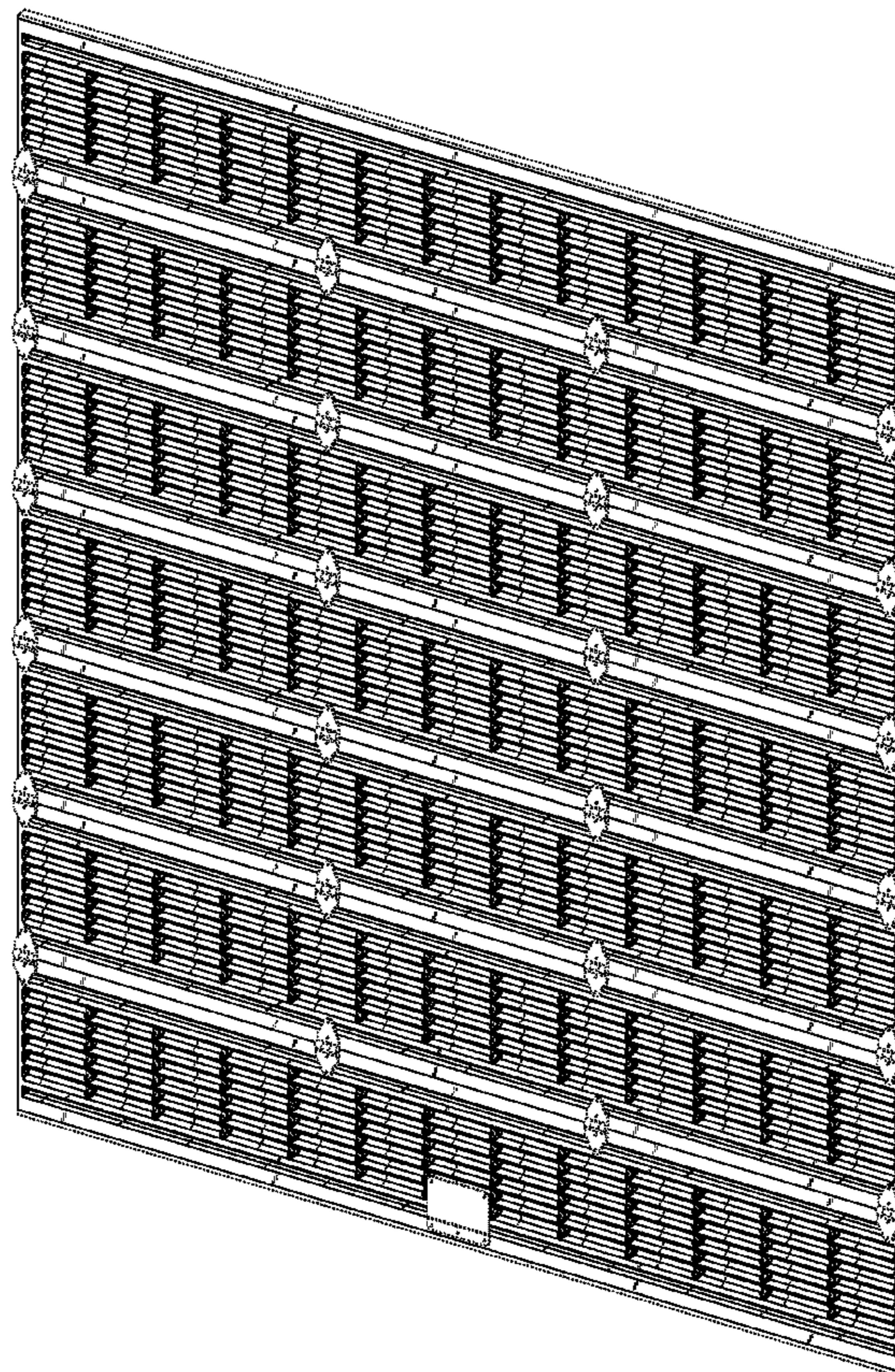
FIG. 3 is an enlarged portion of a right side view thereof, the left side view being a mirror image thereof; and,

FIG. 4 is an enlarged portion of a cross sectional view thereof taken along lines 4—4 of FIG. 2.

The rear view thereof is unornamented.

The material in dotted lines forms no part of our design.

1 Claim, 3 Drawing Sheets



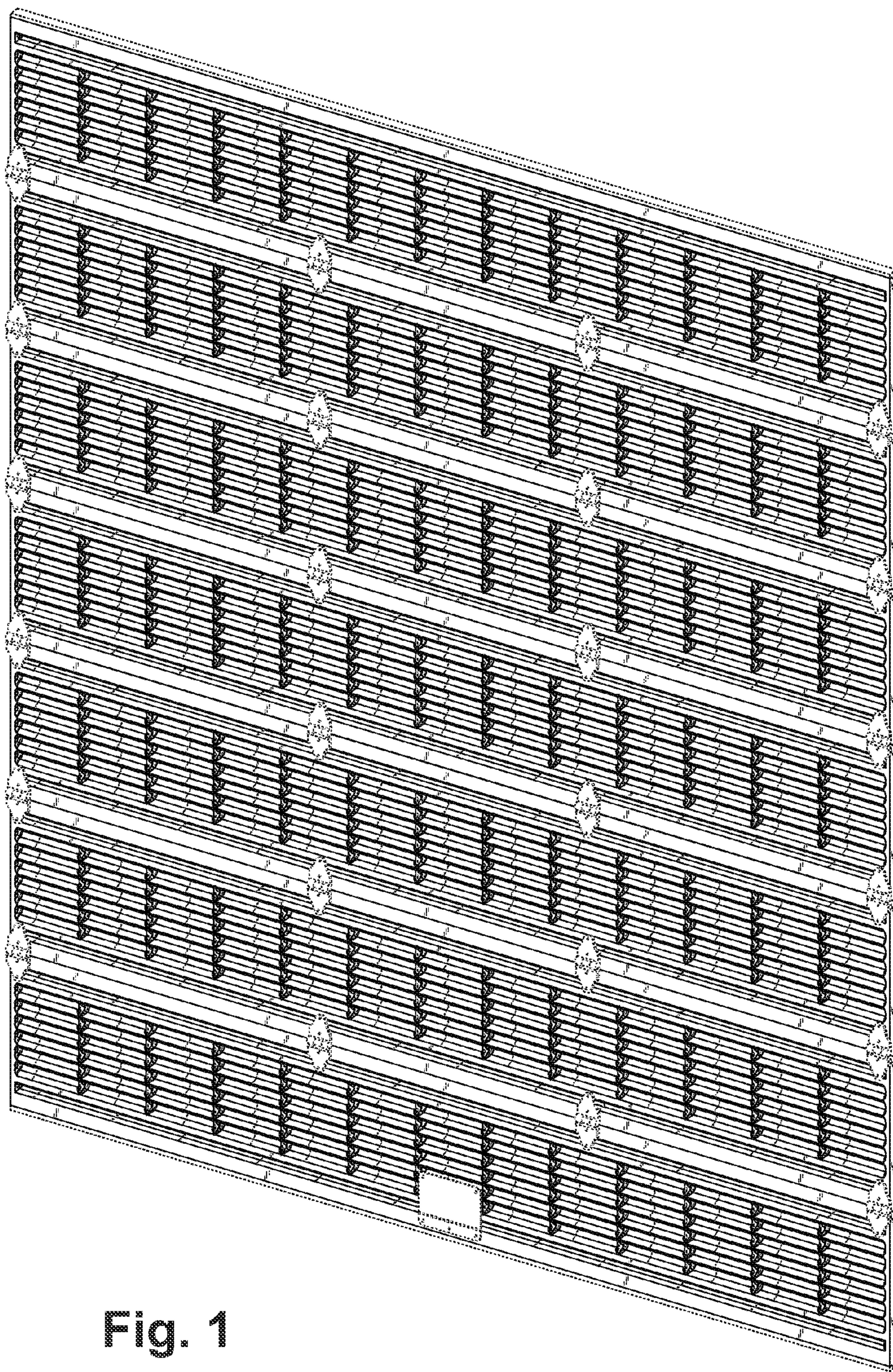


Fig. 1

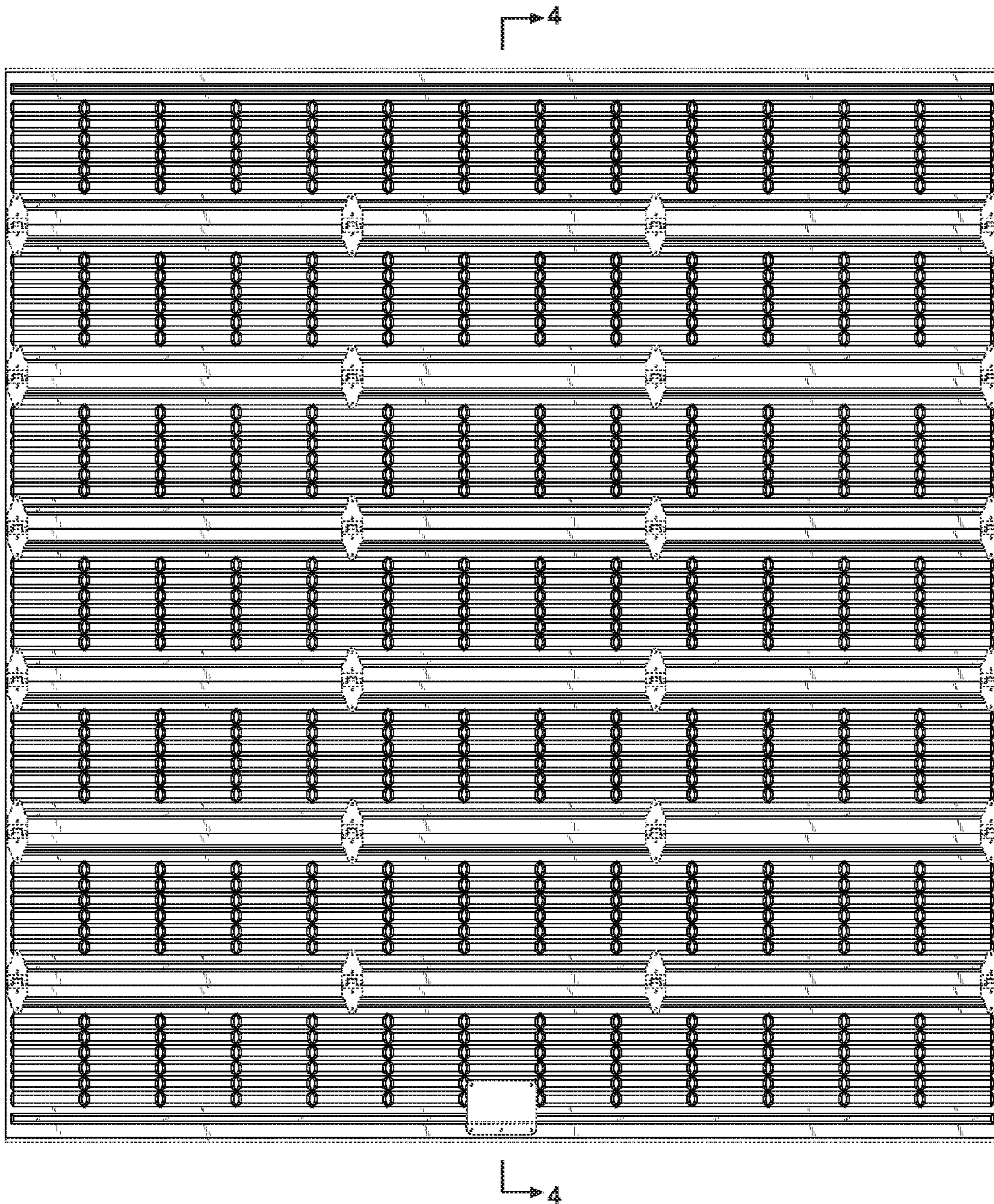


Fig. 2

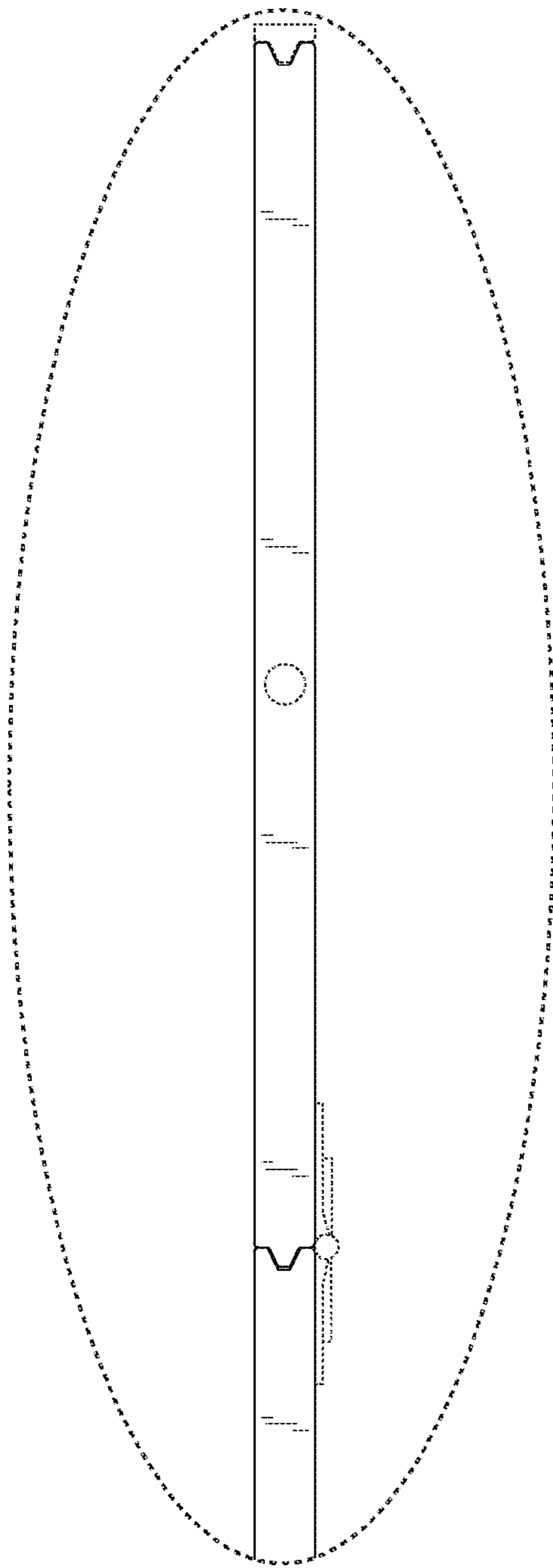


Fig. 3

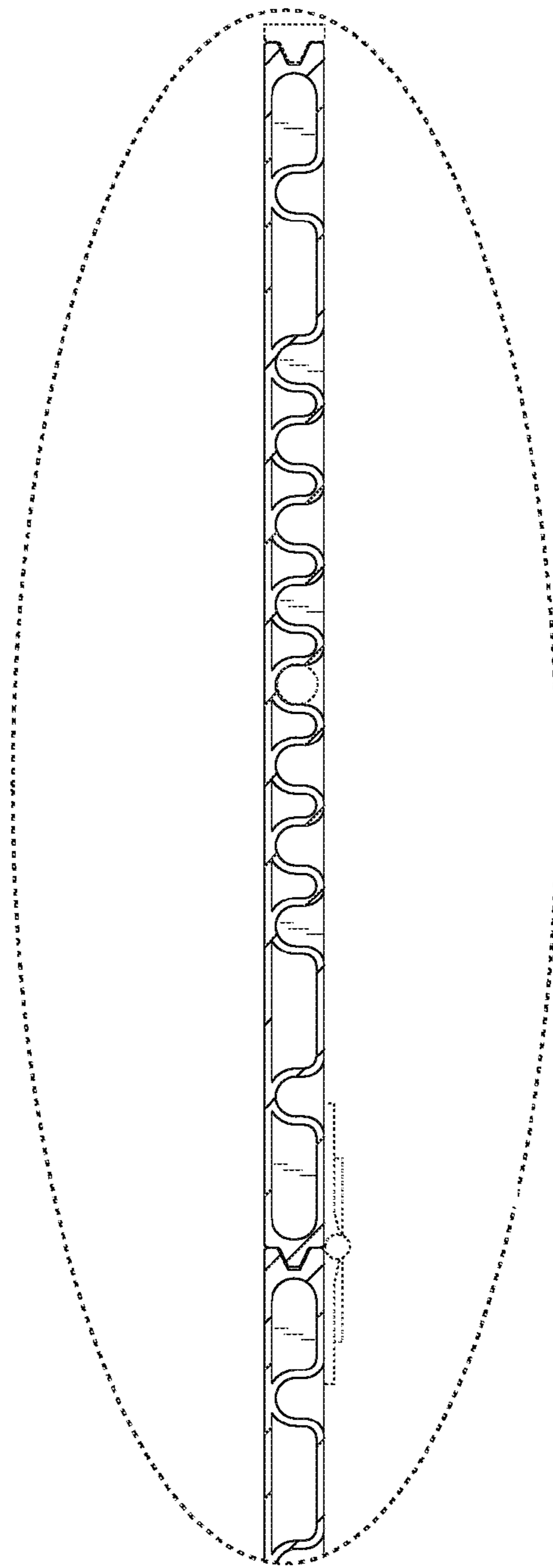


Fig. 4