

US00D595427S

(12) **United States Design Patent**
Roberts et al.

(10) **Patent No.:** **US D595,427 S**
(45) **Date of Patent:** **** Jun. 30, 2009**

(54) **DOOR PANEL**

(75) Inventors: **Gary Roberts**, Fruitport, MI (US); **Tom Gerst**, Twin Lake, MI (US)

(73) Assignee: **Fleet Engineers Incorporated**, Muskegon, MI (US)

(**) Term: **14 Years**

(21) Appl. No.: **29/306,633**

(22) Filed: **Apr. 14, 2008**

(51) **LOC (9) Cl.** **25-02**

(52) **U.S. Cl.** **D25/49**

(58) **Field of Classification Search** D25/48, D25/49; 160/66, 133, 238, 229.1, 201
See application file for complete search history.

(56) **References Cited**

U.S. PATENT DOCUMENTS

3,980,123	A	9/1976	Vago	
D286,433	S *	10/1986	Greco	D25/50
D327,465	S	6/1992	Word et al.	
5,445,208	A	8/1995	Shaner et al.	
5,573,050	A *	11/1996	Henkenjohann	160/133
D408,553	S *	4/1999	Lai	D25/49
D425,845	S	5/2000	Gerding et al.	
D450,857	S *	11/2001	Schoeren	D25/49
6,672,362	B1	1/2004	Mullet et al.	

D487,521	S	3/2004	Link	
6,742,563	B2 *	6/2004	Belanger	160/133
6,766,845	B2 *	7/2004	Rejc	160/133
6,826,887	B2	12/2004	Skov	
D565,744	S	4/2008	Mock et al.	

* cited by examiner

Primary Examiner—Doris Clark

(74) *Attorney, Agent, or Firm*—McGarry Bair PC

(57) **CLAIM**

The ornamental design for a door panel, as shown and described.

DESCRIPTION

FIG. 1 is a right front perspective view of a door panel which embodies our design;

FIG. 2 is a front view thereof;

FIG. 3 is an enlarged right side view thereof, the left side view being a mirror image thereof;

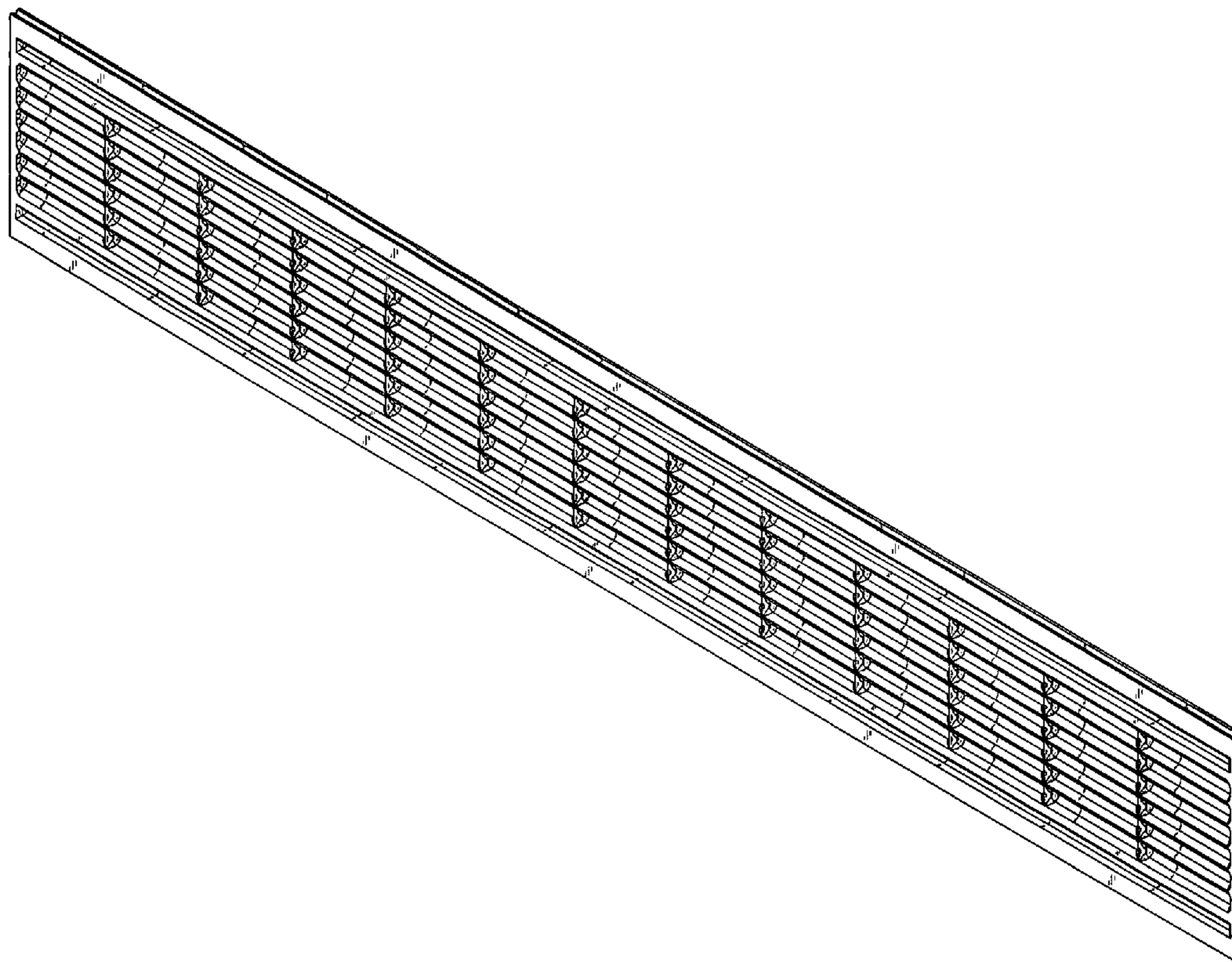
FIG. 4 an enlarged portion of a top view thereof;

FIG. 5 is an enlarged portion of a bottom view thereof; and,

FIG. 6 is a cross sectional view taken along line 6—6 of FIG. 2.

The rear view thereof is unornamented.

1 Claim, 4 Drawing Sheets



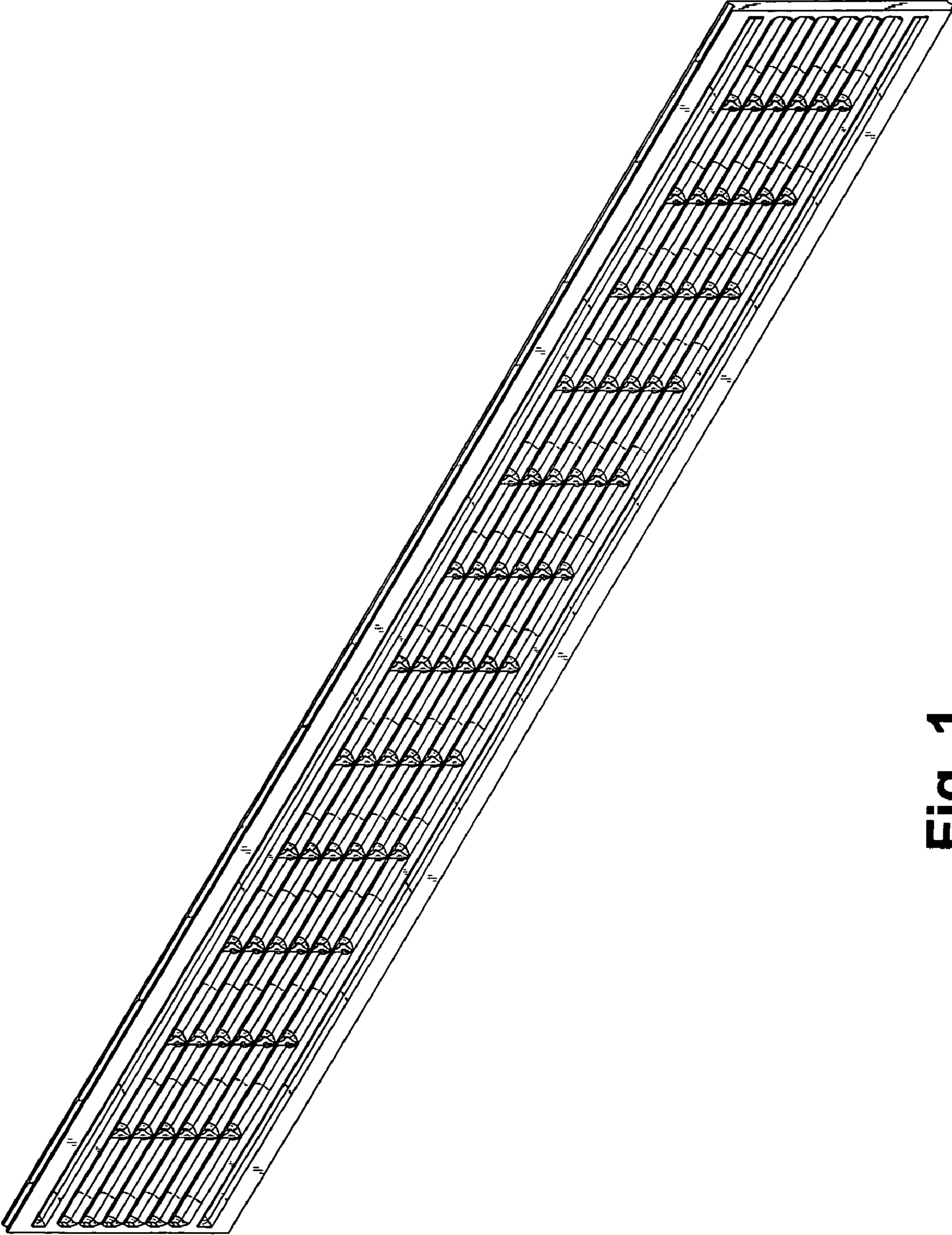


Fig. 1

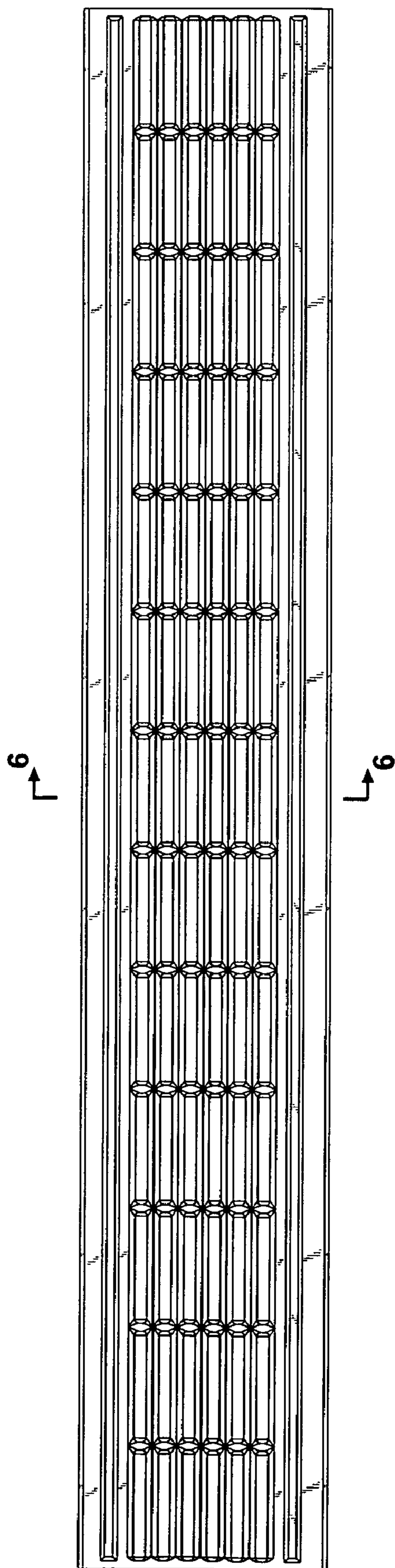


Fig. 2

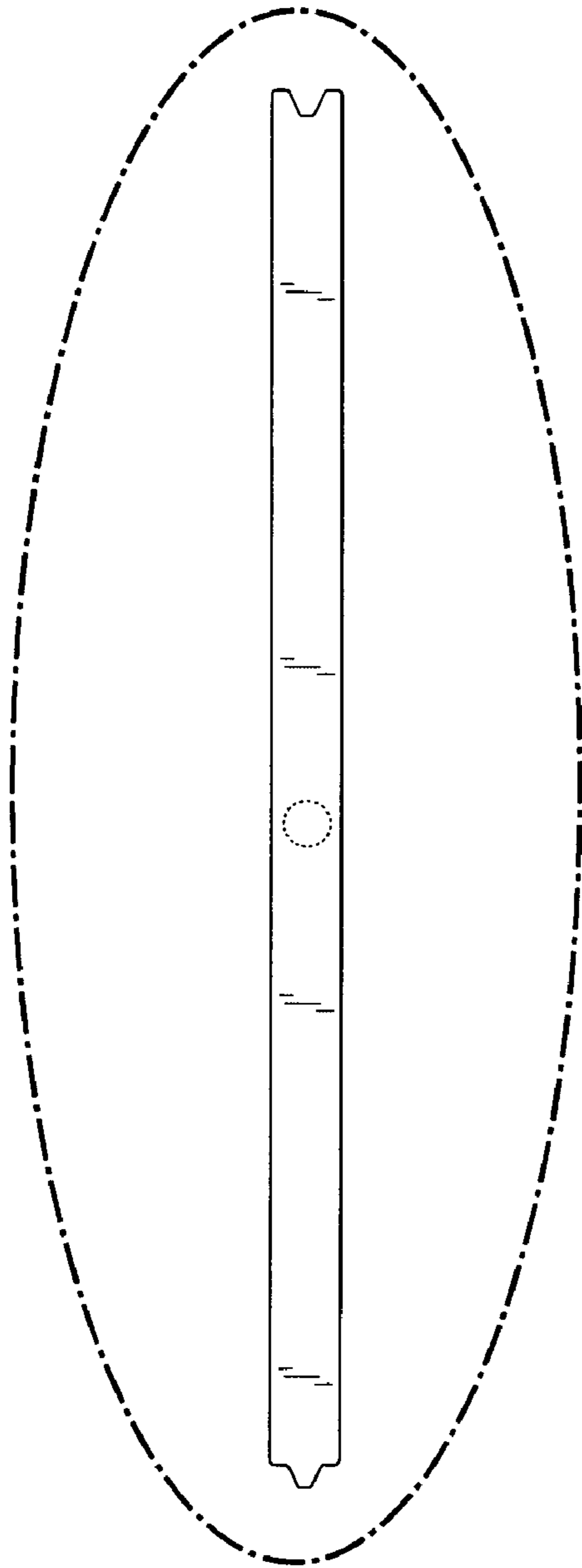


Fig. 3

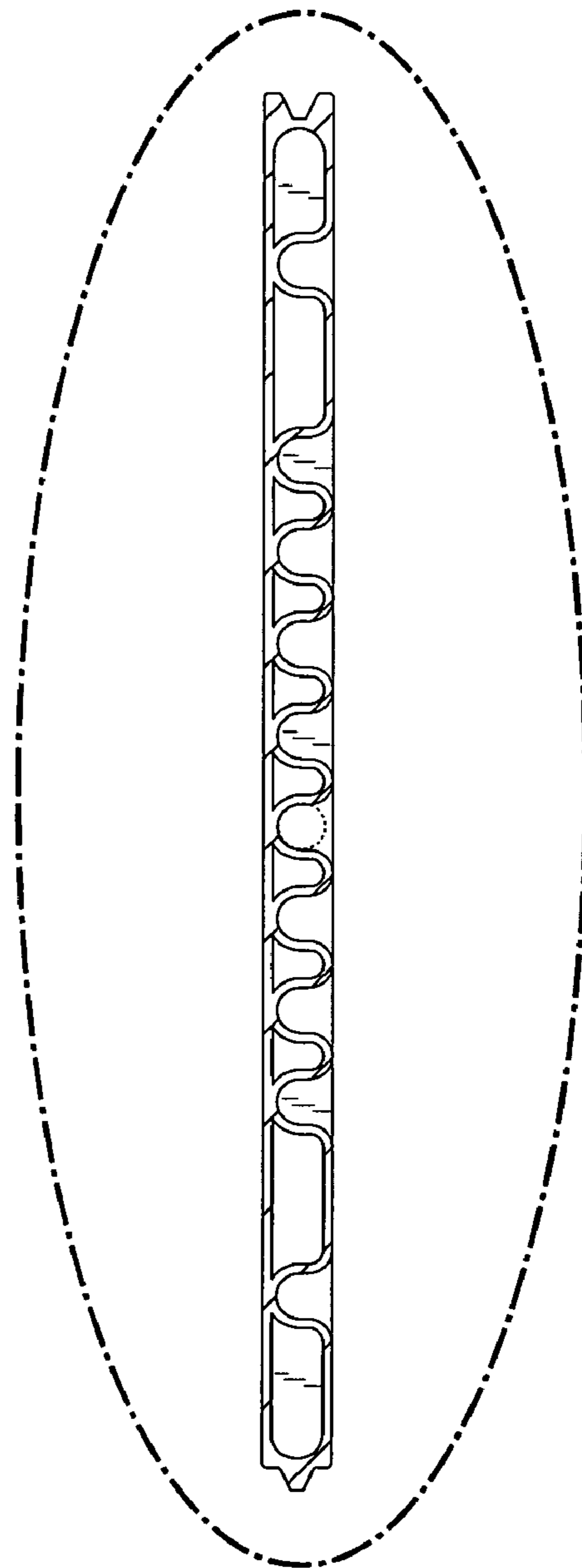


Fig. 6

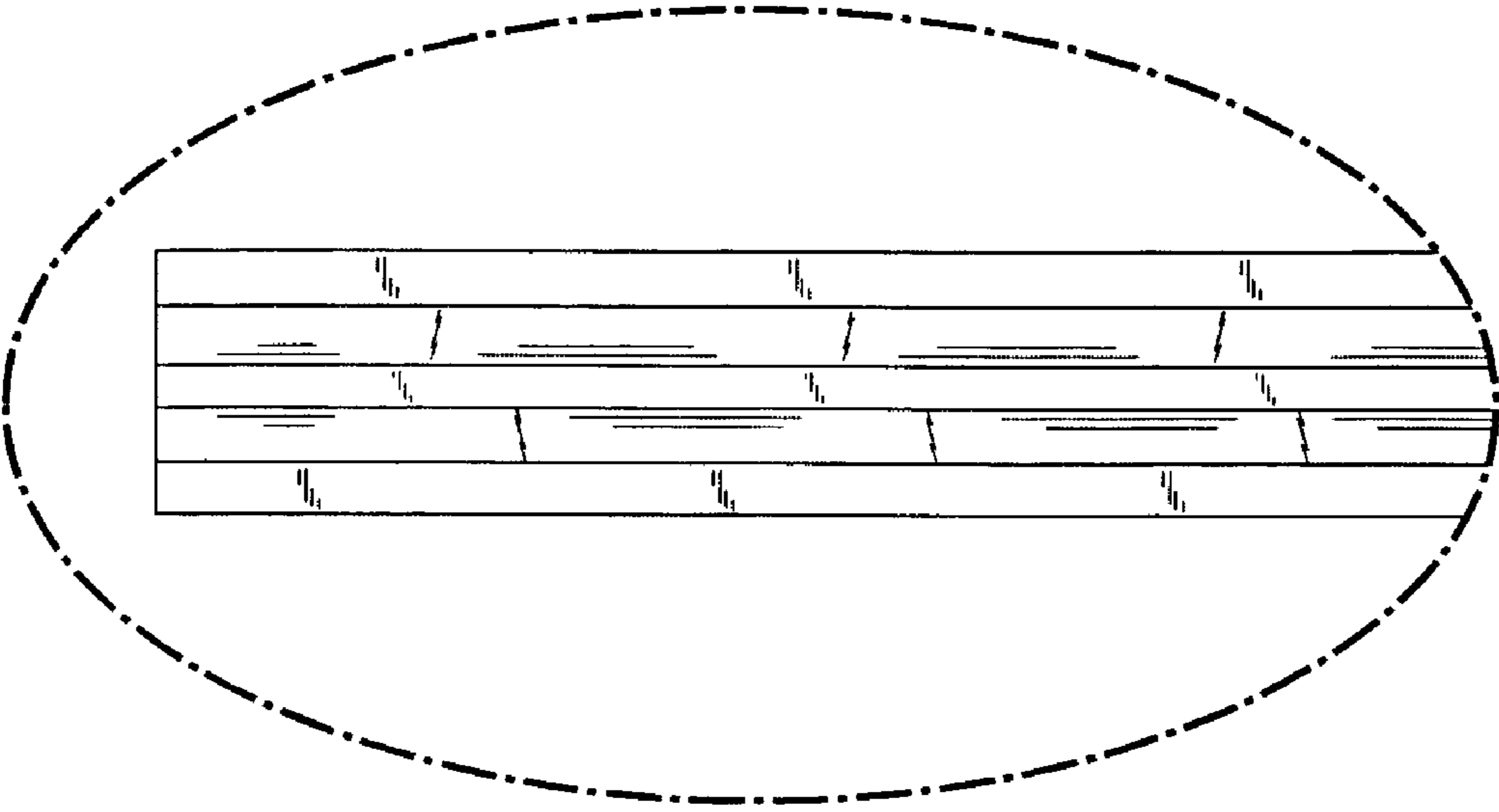


Fig. 4

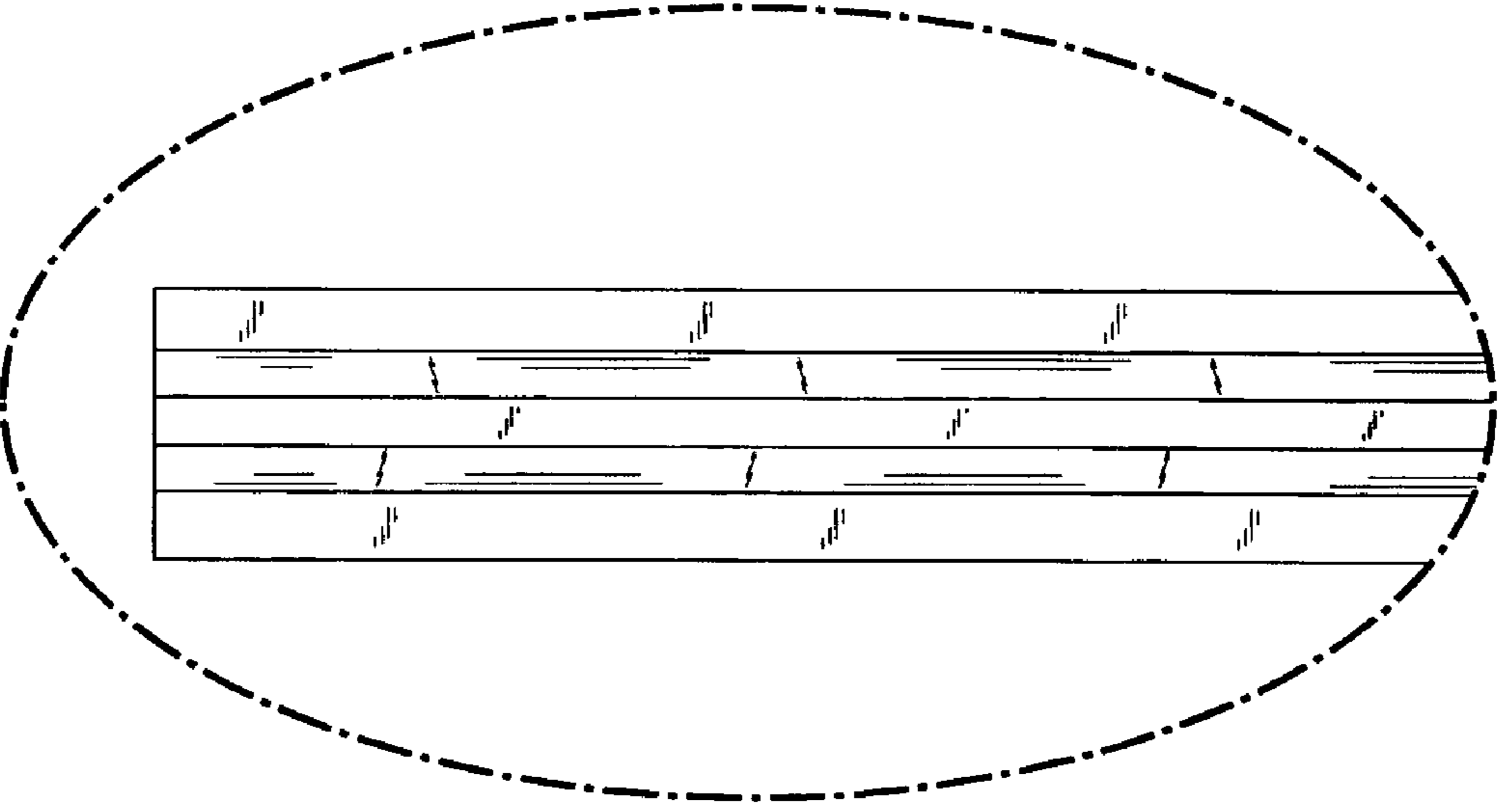


Fig. 5