



US00D595423S

(12) **United States Design Patent**
Johansson et al.

(10) **Patent No.:** **US D595,423 S**

(45) **Date of Patent:** **** Jun. 30, 2009**

(54) **MAGNETIC RACK**

(75) Inventors: **Bjorn A. Johansson**, Uppsala (SE); **Nils Norrman**, Uppsala (SE); **Henrik Ostlin**, Uppsala (SE); **Sven Wounder**, Uppsala (SE)

(73) Assignee: **GE Healthcare Bio-Sciences AB**, Uppsala (SE)

(**) Term: **14 Years**

(21) Appl. No.: **29/329,147**

(22) Filed: **Dec. 10, 2008**

(30) **Foreign Application Priority Data**

Jun. 30, 2008 (GB) 4008174

(51) **LOC (9) Cl.** **24-02**

(52) **U.S. Cl.** **D24/229**

(58) **Field of Classification Search** D24/108,
D24/127-130, 216, 224, 227-232; 422/63-64,
422/99-104, 250, 266, 297, 300, 476; 211/74,
211/71.01

See application file for complete search history.

(56) **References Cited**

U.S. PATENT DOCUMENTS

- D323,400 S * 1/1992 Frenkel et al. D24/230
- D325,975 S * 5/1992 Grade et al. D24/229
- D382,346 S * 8/1997 Buhler et al. D24/227

- D413,391 S * 8/1999 Lapeus et al. D24/227
- D413,677 S * 9/1999 Dumitrescu et al. D24/229
- D421,130 S * 2/2000 Cohen et al. D24/229
- D428,497 S * 7/2000 Lapeus et al. D24/227
- D433,759 S * 11/2000 Mathis et al. D24/227
- D448,854 S * 10/2001 Kuiper et al. D24/230
- D461,554 S * 8/2002 Lafond et al. D24/230
- D484,989 S * 1/2004 Gebrian D24/230

* cited by examiner

Primary Examiner—T. Chase Nelson

Assistant Examiner—Mark Cavanna

(74) *Attorney, Agent, or Firm*—Yonggang Ji

(57) **CLAIM**

The ornamental design for magnetic rack, as shown and described.

DESCRIPTION

FIG. 1 is a perspective view of the front of the magnetic rack showing our new design.

FIG. 2 is a side view of the magnetic rack of FIG. 1

FIG. 3 is a perspective view from the bottom of the magnetic rack of FIG. 1; and,

FIG. 4 is a perspective view from the rear of the magnetic rack of FIG. 1.

The broken lines shown in the figures are included for the purpose of illustrating portions of the magnetic rack that form no part of the claimed design.

1 Claim, 4 Drawing Sheets

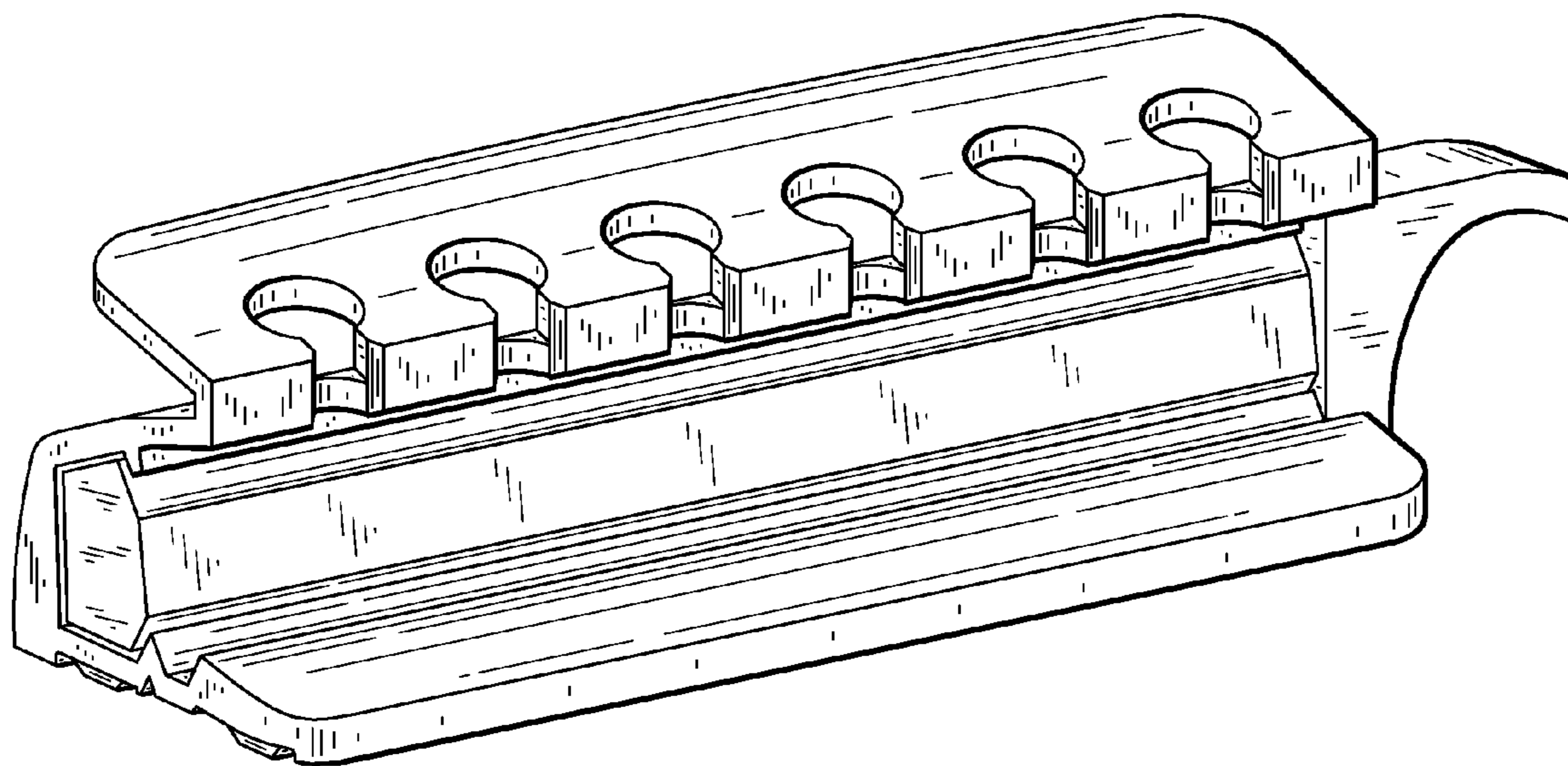


FIG. 1

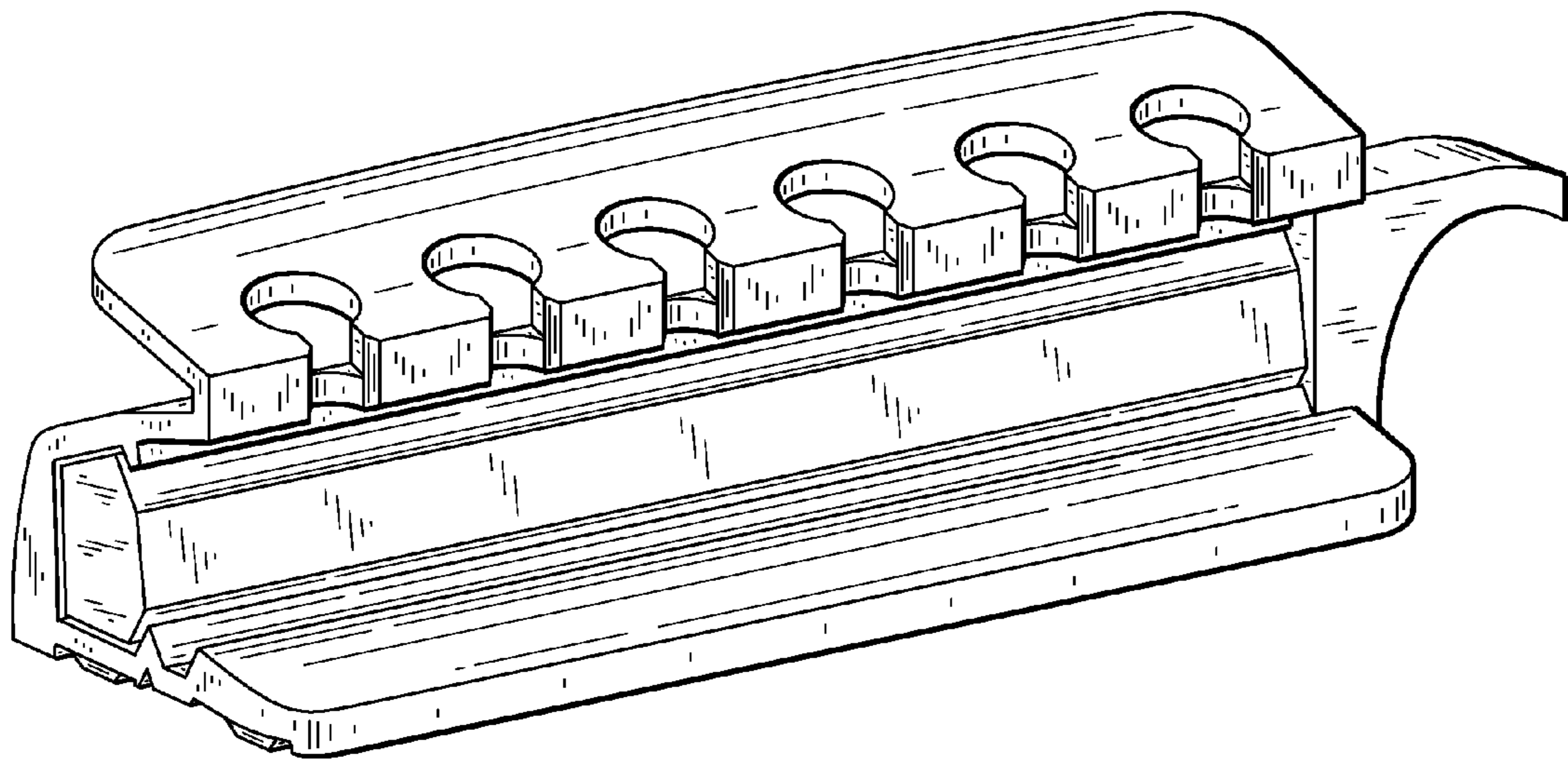


FIG. 2

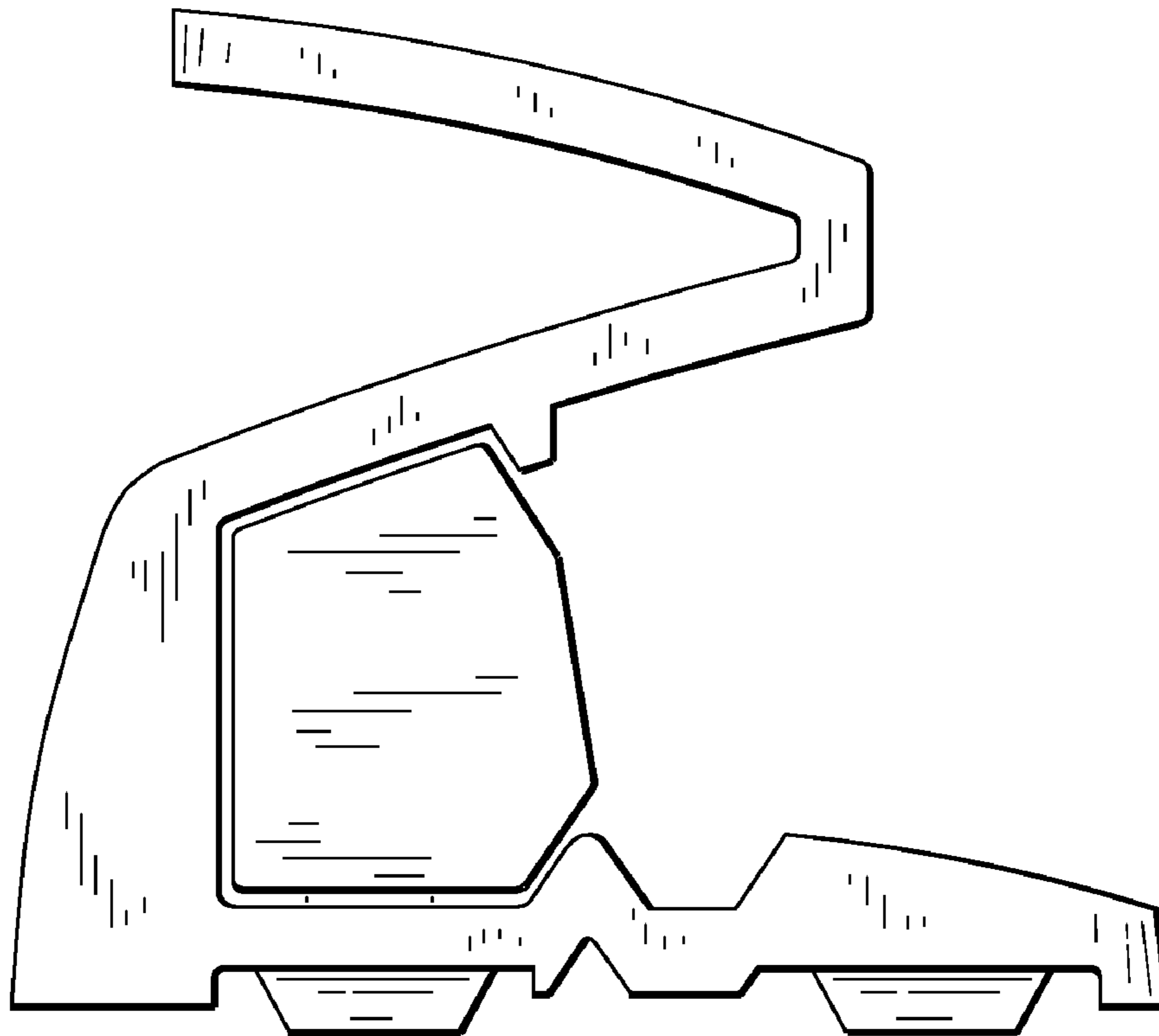


FIG. 3

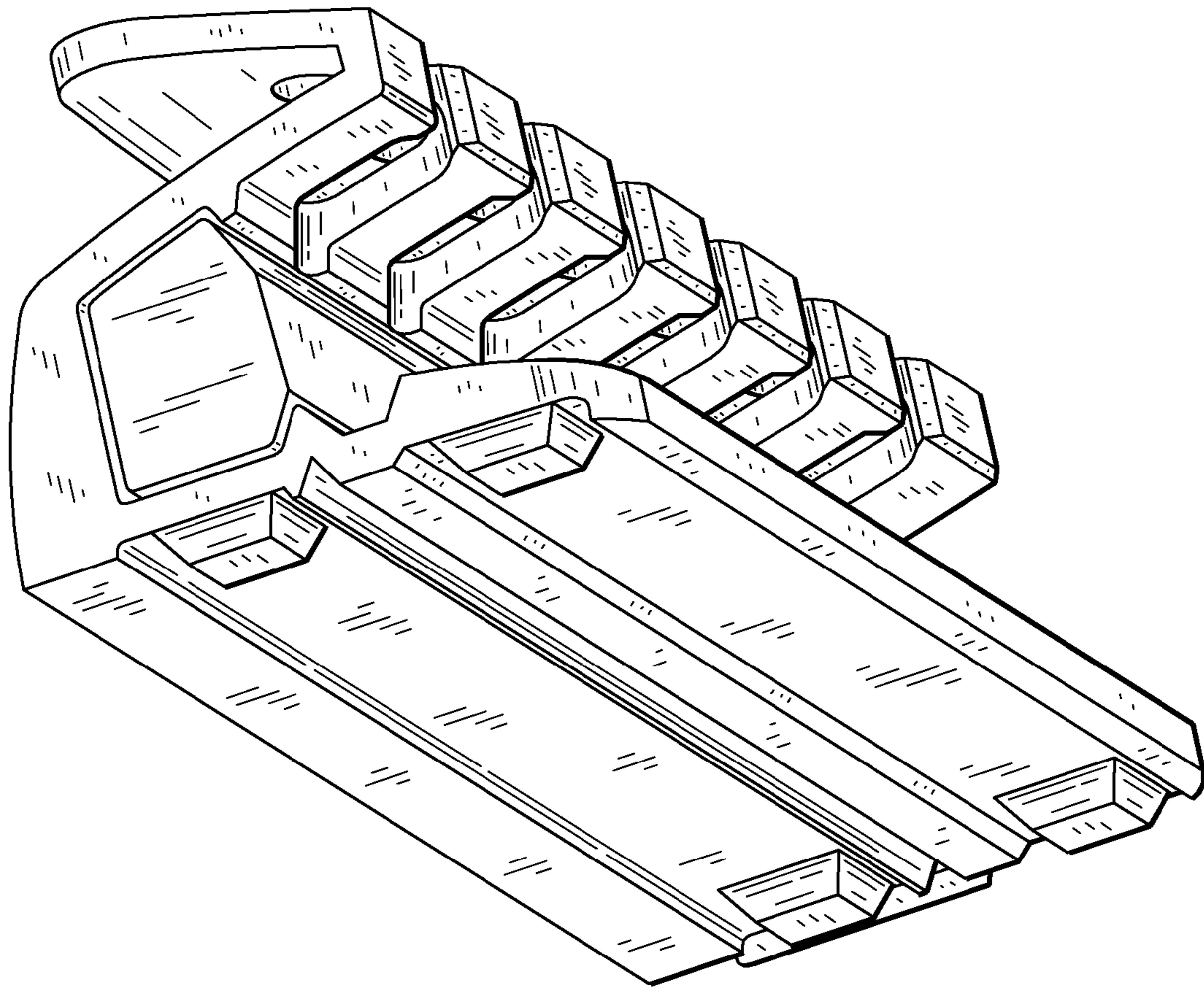


FIG. 4

