



US00D595422S

(12) **United States Design Patent**  
**Mustapha**

(10) **Patent No.:** **US D595,422 S**  
(45) **Date of Patent:** **\*\* Jun. 30, 2009**

(54) **SUPPORT DEVICE FOR INTERVENTIONAL INSTRUMENTS**

(75) Inventor: **Jihad Mustapha**, Ada, MI (US)

(73) Assignee: **Wire • Caddy, LLC**, Ada, MI (US)

(\*\*) Term: **14 Years**

(21) Appl. No.: **29/320,016**

(22) Filed: **Jun. 18, 2008**

(51) **LOC (9) Cl.** ..... **24-02**

(52) **U.S. Cl.** ..... **D24/227**

(58) **Field of Classification Search** ..... D24/108,  
D24/127-130, 216, 224, 227-232; 422/63-64,  
422/99-104, 250, 266, 297, 300, 476; 211/74,  
211/71.01; D3/304-315

See application file for complete search history.

(56) **References Cited**

**U.S. PATENT DOCUMENTS**

D249,362 S *	9/1978	Forsman et al.	.....	D24/230
D262,824 S *	1/1982	Dignan	.....	D24/229
D268,130 S *	3/1983	Easton	.....	D3/313
D276,462 S *	11/1984	Villarreal	.....	D24/229
D293,820 S *	1/1988	Guth et al.	.....	D24/230
D334,625 S *	4/1993	Chernosky et al.	.....	D24/229
D334,973 S *	4/1993	Valentine et al.	.....	D24/227
D337,830 S *	7/1993	Coyne et al.	.....	D24/229
D356,904 S *	4/1995	Wolff	.....	D24/229
D438,634 S *	3/2001	Merry	.....	D24/227
D442,697 S *	5/2001	Hajianpour	.....	D24/229

D565,743 S \* 4/2008 Phillips et al. .... D24/229

\* cited by examiner

*Primary Examiner*—Robert A. Delehanty

*Assistant Examiner*—Mark Cavanna

(74) *Attorney, Agent, or Firm*—Honigman; Kelly T. Murphy;  
Jonathan P. O'Brien

(57) **CLAIM**

The ornamental design for a support device for interventional instruments, as described and shown.

**DESCRIPTION**

FIG. 1 shows a perspective view of a support device for interventional instruments that incorporates my design.

FIG. 2 shows a front view of the support device for interventional instruments shown in FIG. 1.

FIG. 3 shows a back view of the support device for interventional instruments shown in FIG. 1.

FIG. 4 shows a top view of the support device for interventional instruments shown in FIG. 1.

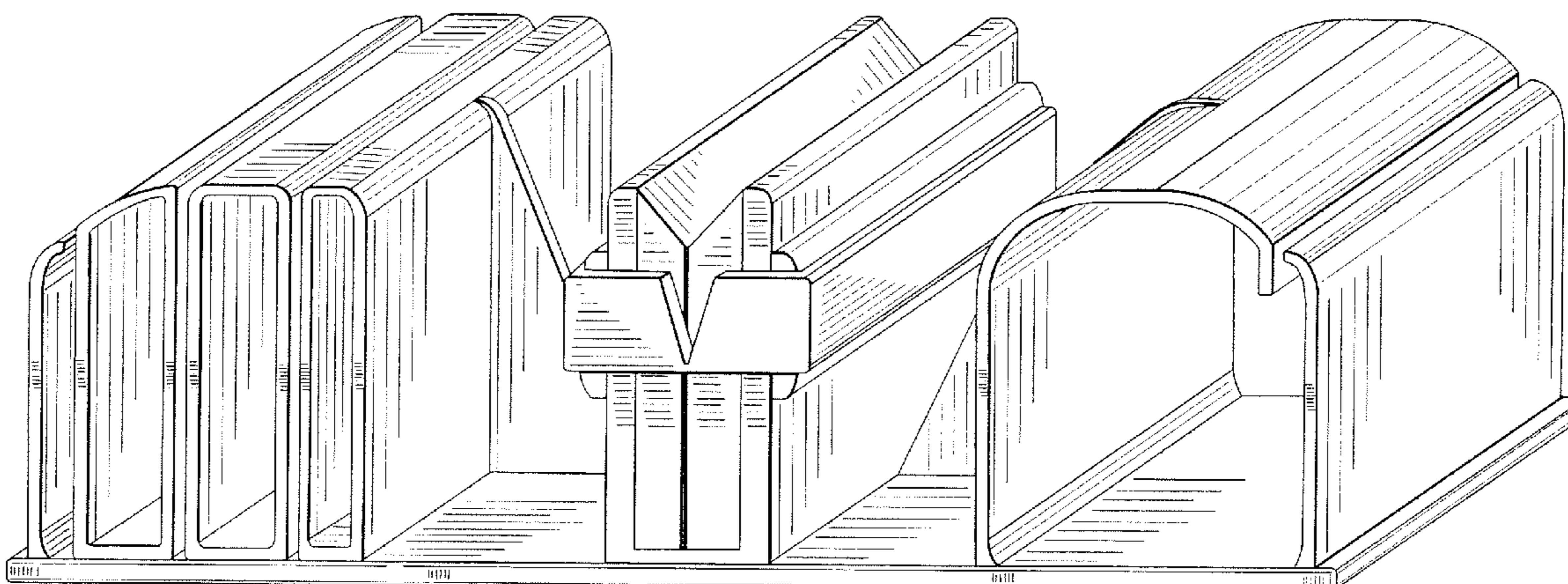
FIG. 5 shows a right side view of the support device for interventional instruments shown in FIG. 1.

FIG. 6 shows a left side view of the support device for interventional instruments shown in FIG. 1; and,

FIG. 7 shows a bottom view of the support device for interventional instruments shown in FIG. 1.

Any broken lines in the drawings depict environmental structure that forms no part of the claimed invention.

**1 Claim, 4 Drawing Sheets**



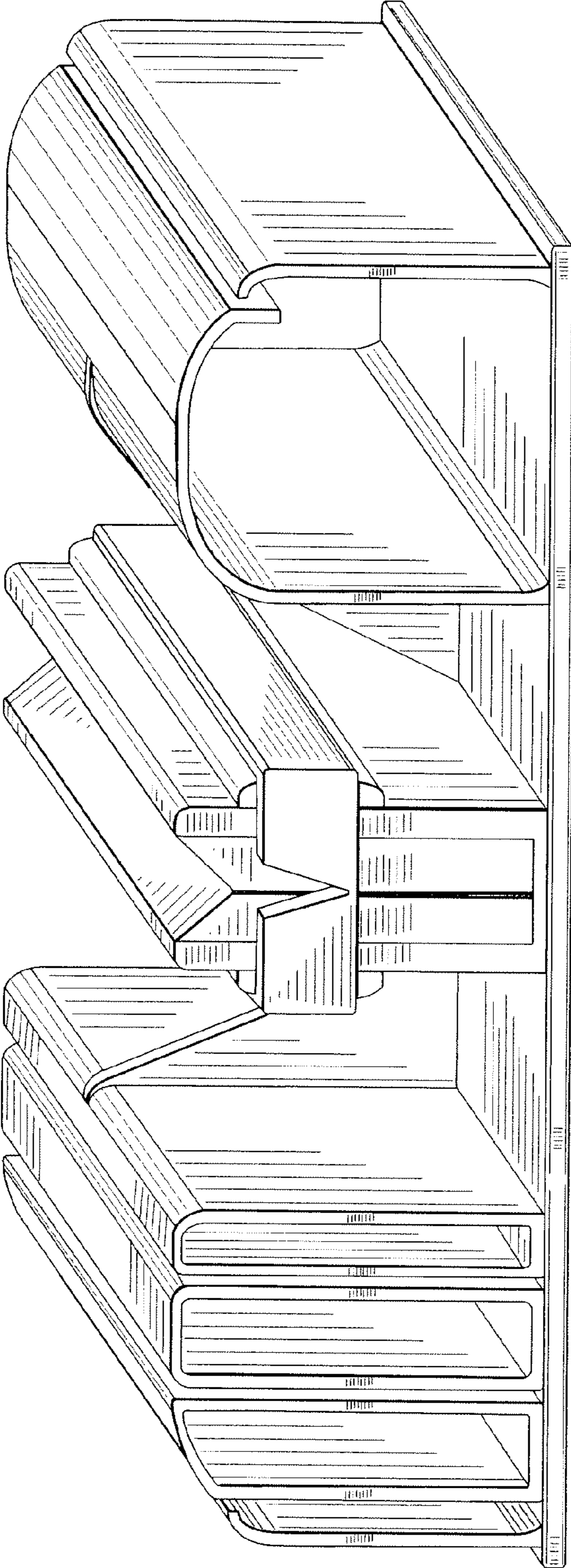


FIG. 1

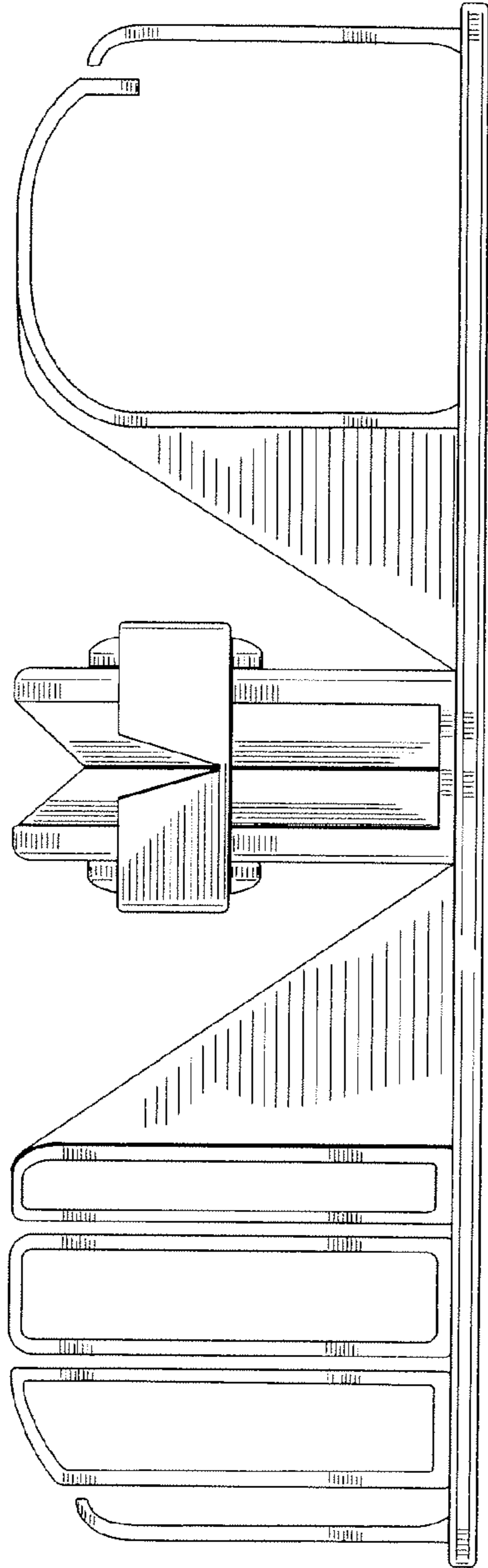


FIG. 2

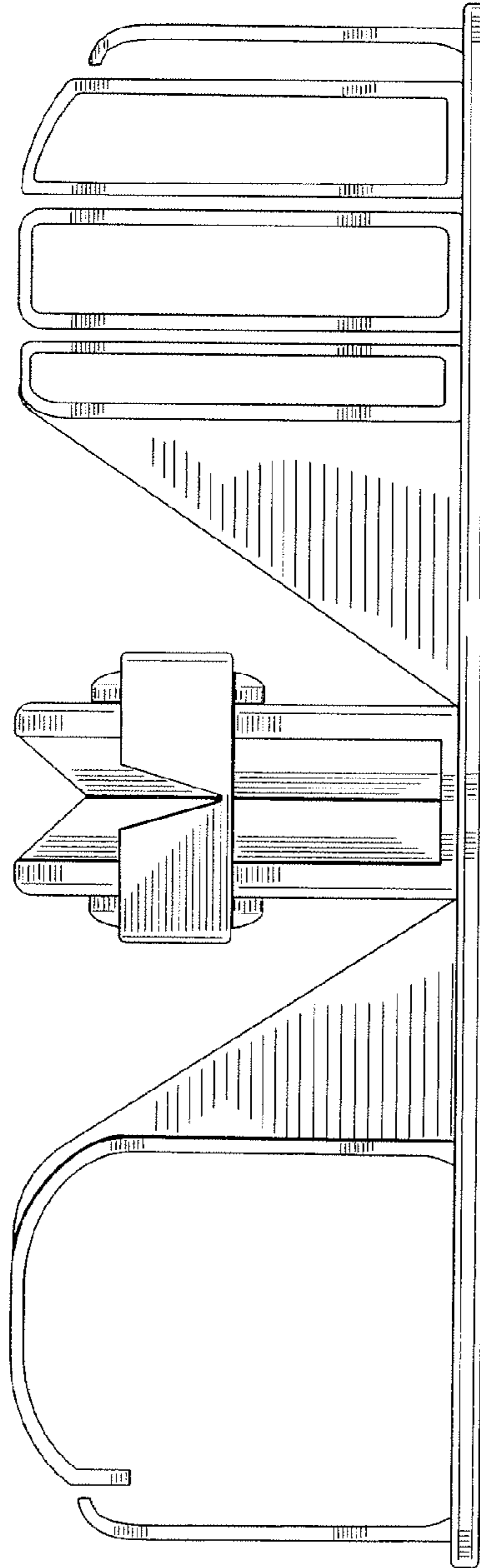


FIG. 3



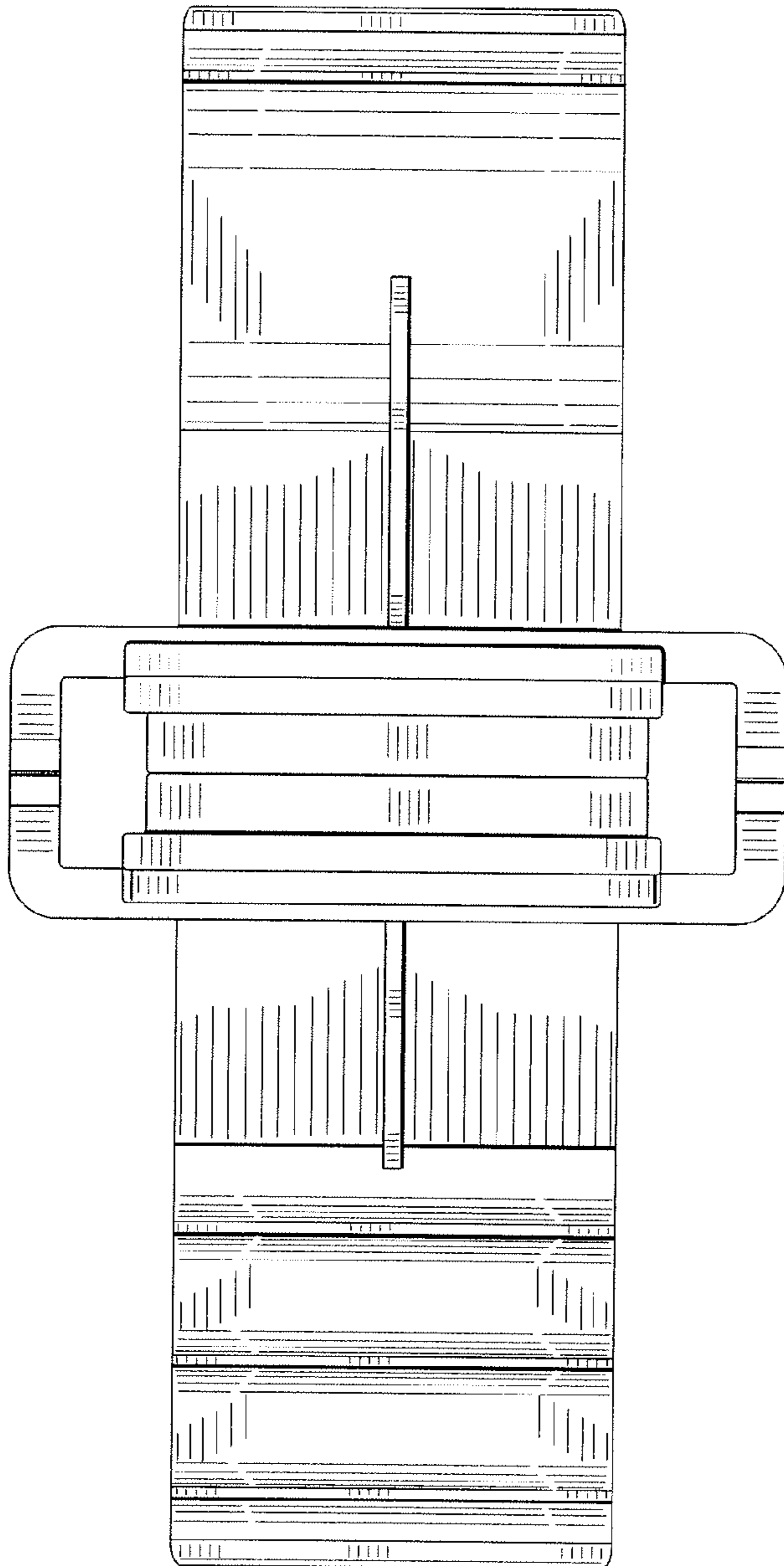


FIG. 4

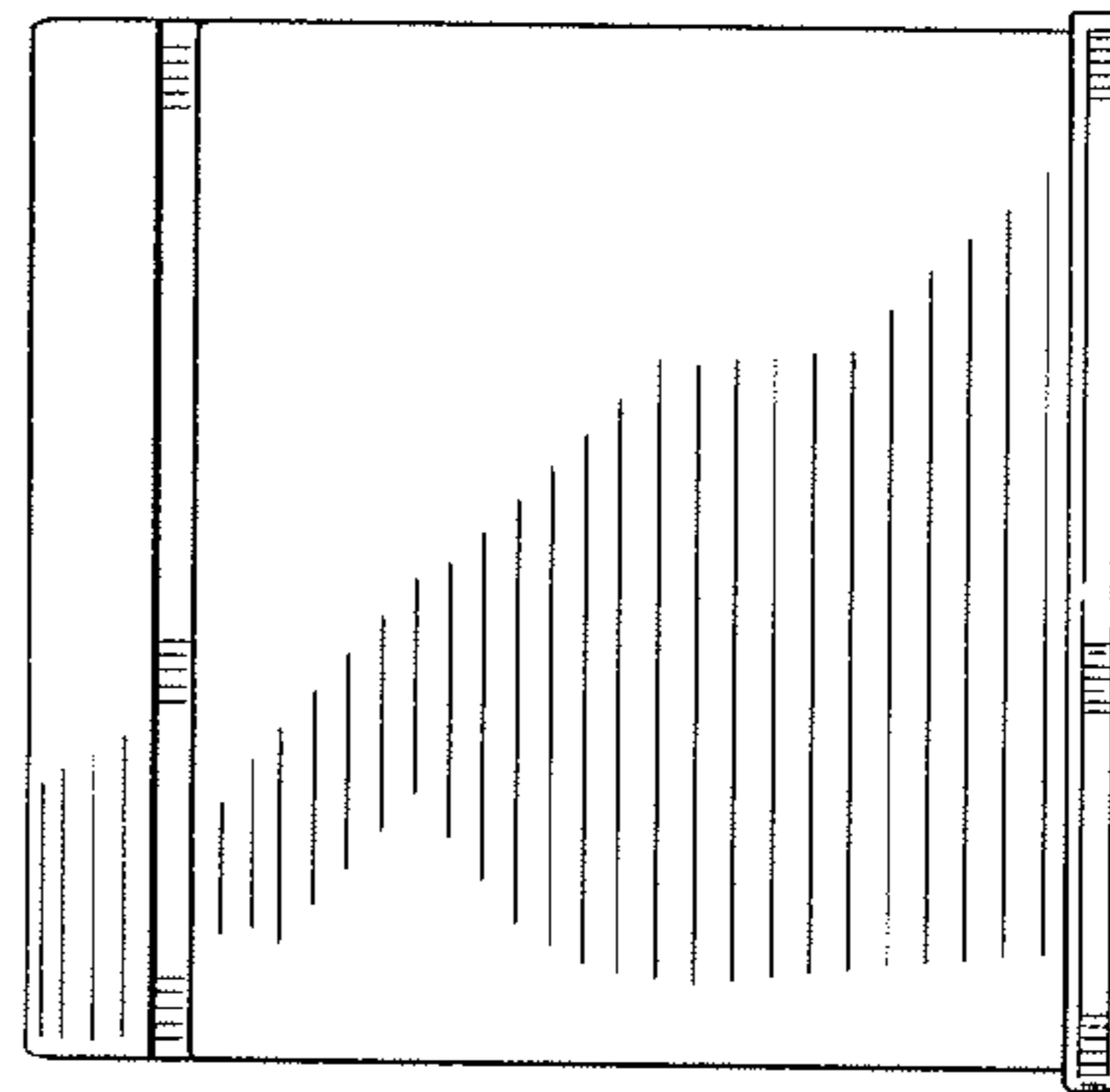


FIG. 6

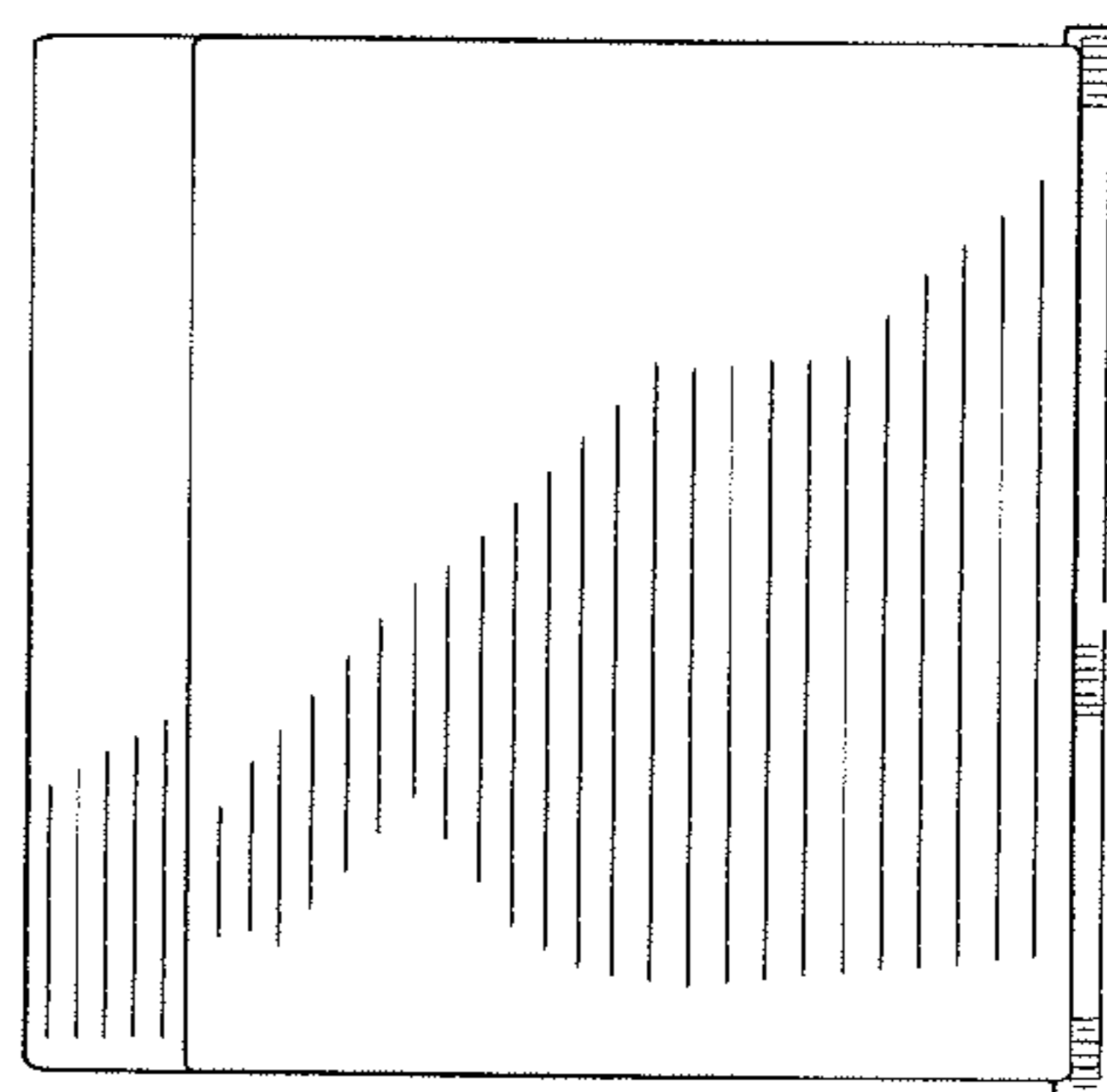


FIG. 5

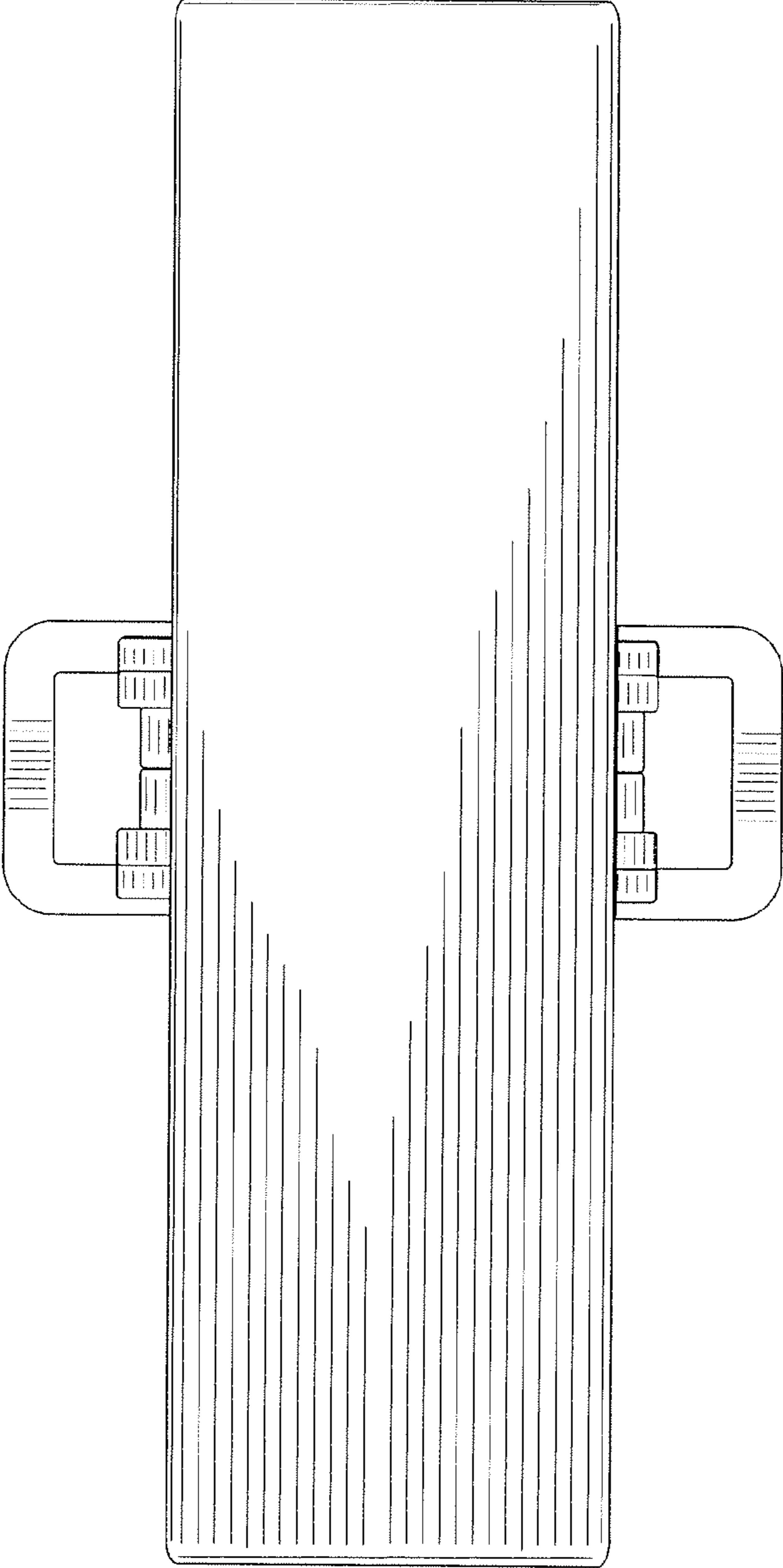


FIG. 7