

US00D595419S

(12) **United States Design Patent**
Alejos

(10) **Patent No.:** **US D595,419 S**
(45) **Date of Patent:** **** *Jun. 30, 2009**

(54) **PIPETTE**
(75) Inventor: **Frédéric Alejos**, Cergy (FR)
(73) Assignee: **Gilson S.A.S.**, Villiers le Bel (FR)
(**) Term: **14 Years**
(21) Appl. No.: **29/224,562**
(22) Filed: **Mar. 4, 2005**

(30) **Foreign Application Priority Data**
Sep. 7, 2004 (EM) 000222989-0001

(51) **LOC (9) Cl.** **24-02**
(52) **U.S. Cl.** **D24/222**
(58) **Field of Classification Search** D24/216-230;
422/99-102, 104; 435/288.3, 288.4; 73/863.32,
73/864.01, 864.17, 864.02
See application file for complete search history.

(56) **References Cited**

U.S. PATENT DOCUMENTS

D252,823 S * 9/1979 Withers et al. D24/222
4,567,780 A 2/1986 Oppenlander et al.
5,018,394 A * 5/1991 Gilson 73/864.18
D419,685 S * 1/2000 Jacquet et al. D24/222
D426,642 S * 6/2000 Rainin et al. D24/222
D426,643 S * 6/2000 Rainin et al. D24/222
6,158,292 A * 12/2000 Gilson et al. 73/864.01

D438,630 S * 3/2001 Honore D24/222
6,299,841 B1 * 10/2001 Rainin et al. 422/100
6,715,369 B2 * 4/2004 Baba et al. 73/864.16
6,841,129 B2 * 1/2005 Braun et al. 422/100
6,968,749 B2 * 11/2005 Chen et al. 73/863.32
2001/0055547 A1 * 12/2001 Rainin et al. 422/100
2002/0005075 A1 1/2002 Kriz et al.
2005/0255006 A1 11/2005 Romaguera
2007/0056351 A1 3/2007 Curtis et al.

OTHER PUBLICATIONS

Transferpette® electronic brochure available at <http://www.brandtech.com>, Apr. 3, 2004 (4 pgs.).

* cited by examiner

Primary Examiner—T. Chase Nelson
Assistant Examiner—Anhdao Doan
(74) *Attorney, Agent, or Firm*—Foley & Lardner LLP

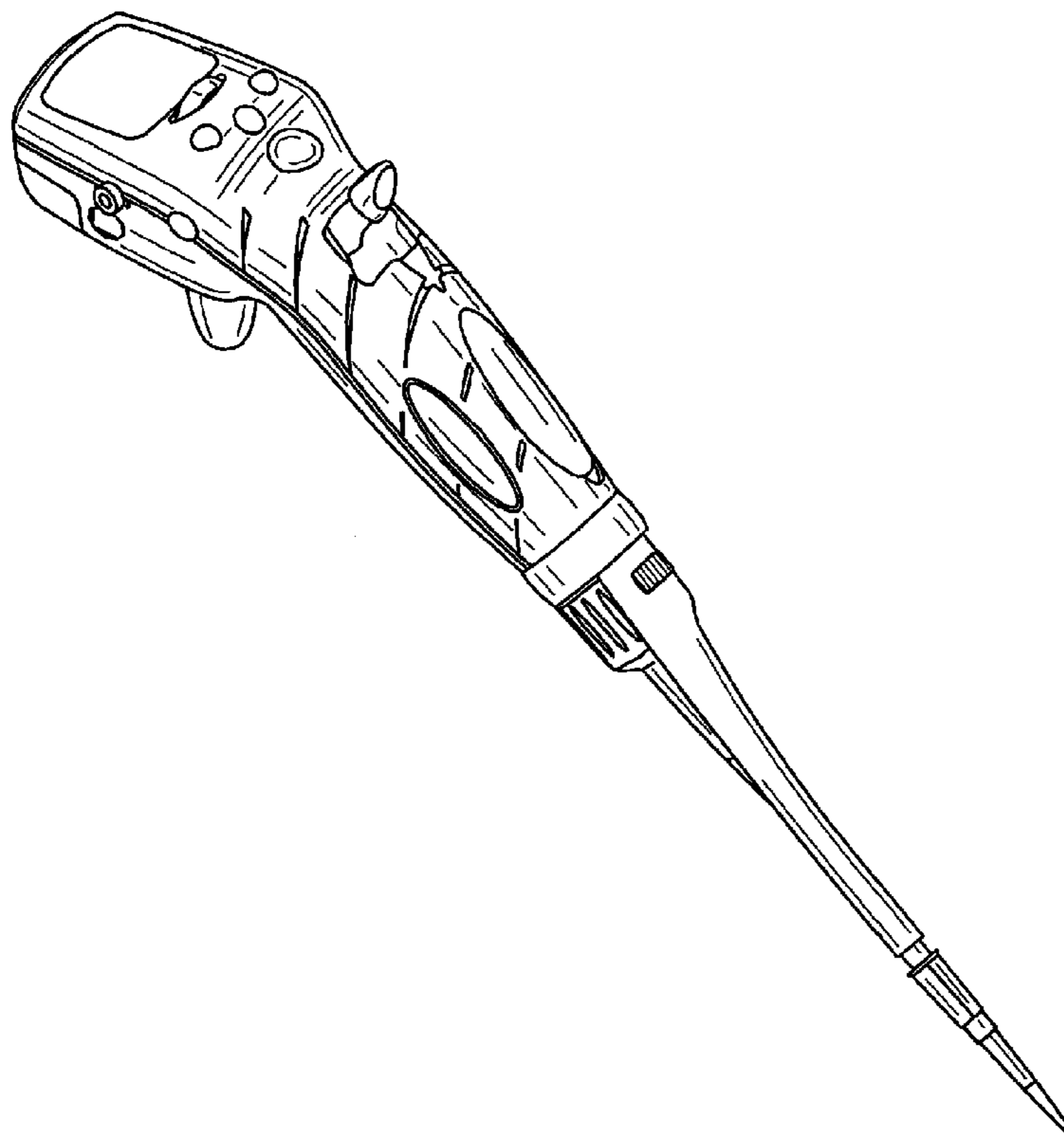
(57) **CLAIM**

The ornamental design for a pipette, as shown and described.

DESCRIPTION

FIG. 1 is a front view of a pipette according to the present design;
FIG. 2 is a rear view;
FIG. 3 is a side view; and,
FIG. 4 is a perspective view.

1 Claim, 4 Drawing Sheets



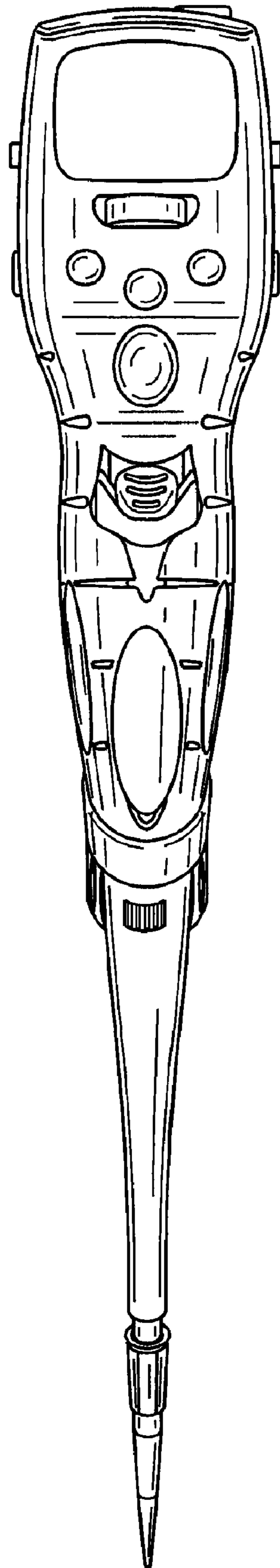


FIG. 1

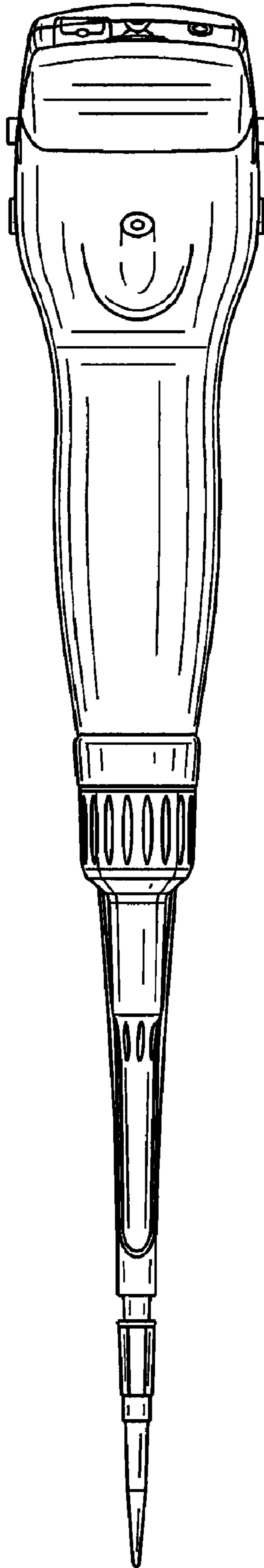


FIG. 2

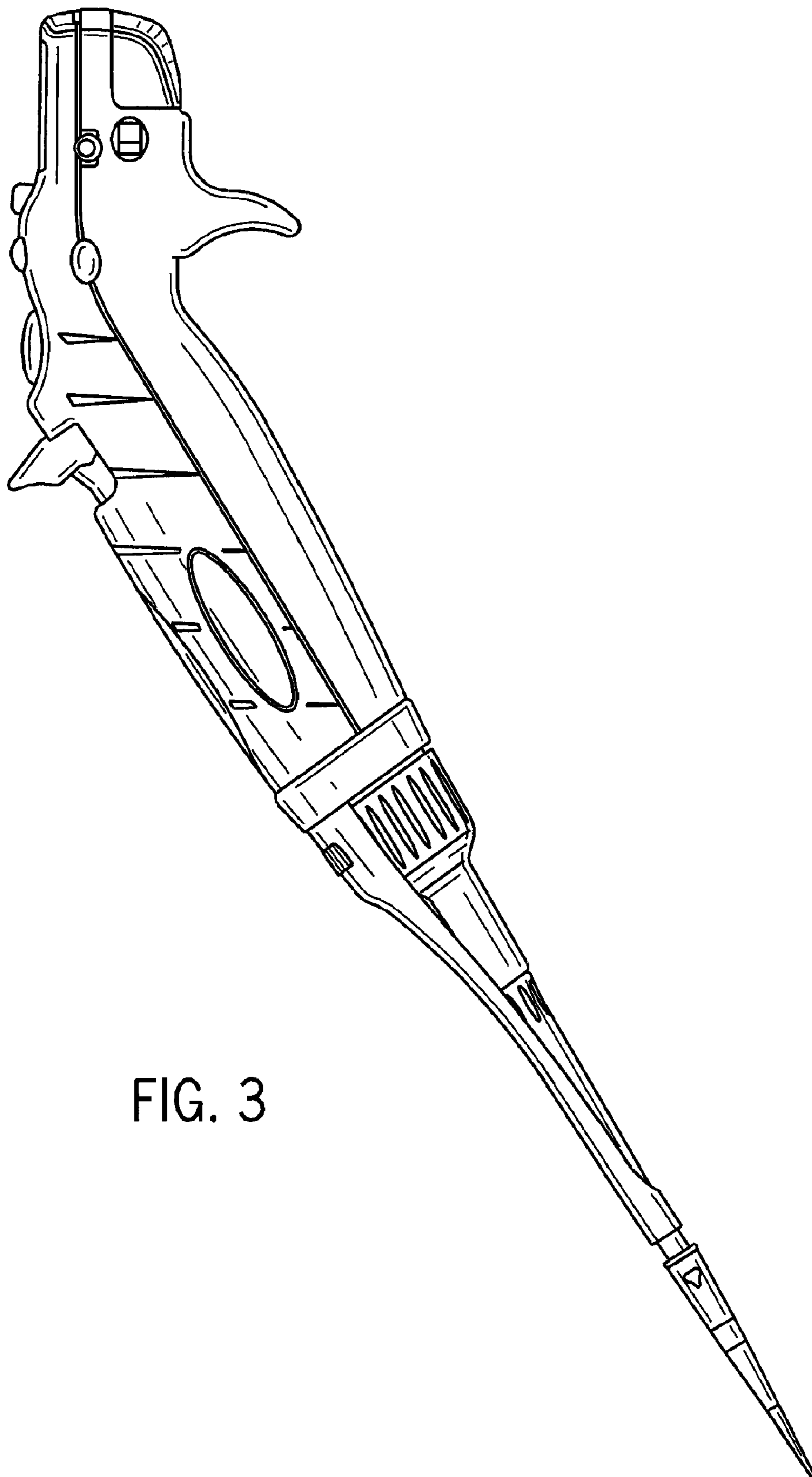


FIG. 3

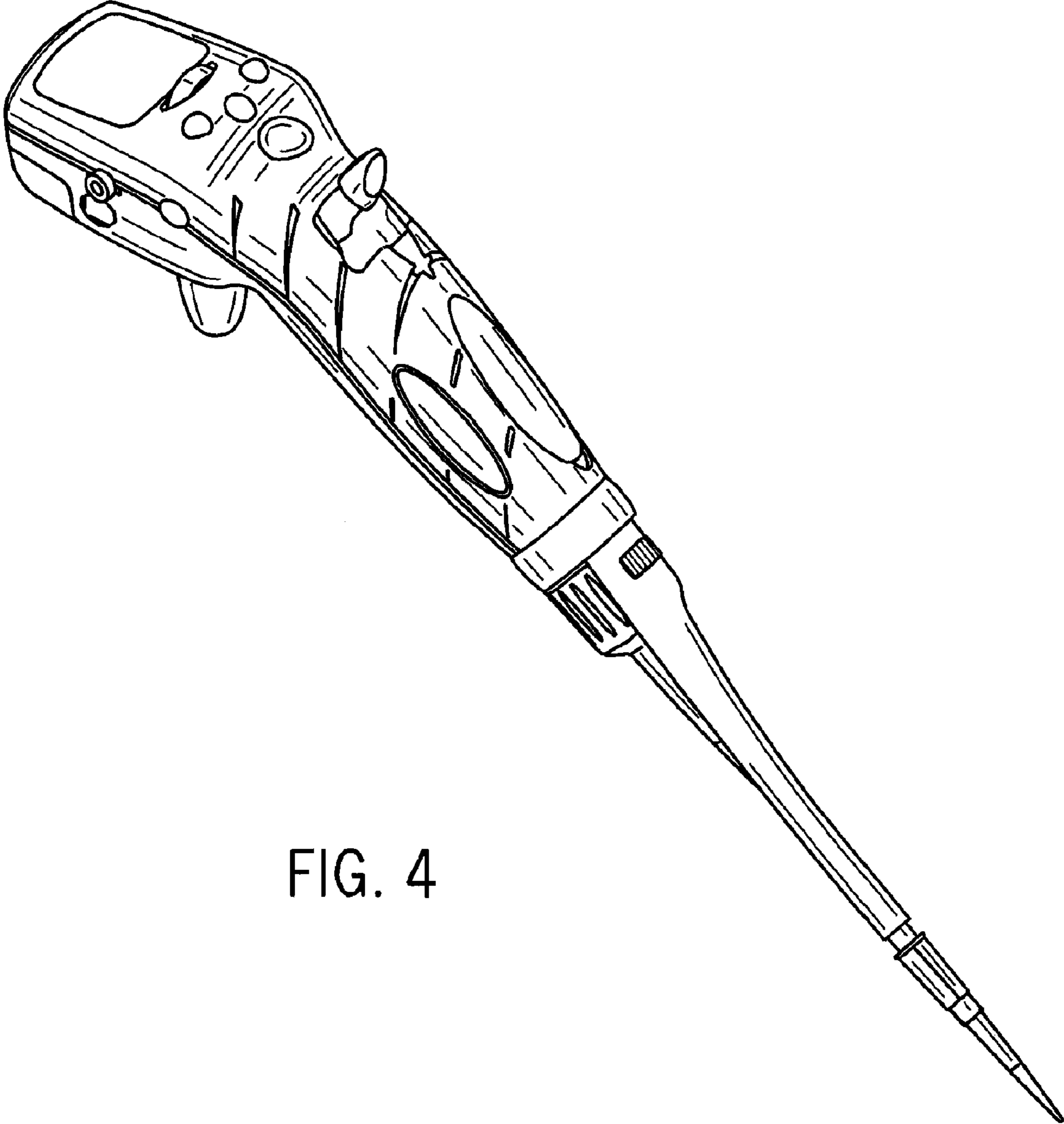


FIG. 4