



US00D595417S

(12) **United States Design Patent**
Driver et al.

(10) **Patent No.:** **US D595,417 S**
(45) **Date of Patent:** **** Jun. 30, 2009**

(54) **FEEDING BOTTLE FOR AN INFANT**

(75) Inventors: **Matthew Driver**, Colne (GB);
Raymond Liu Hon Wai, Colne (GB);
Chi Hung Kwok, Colne (GB)

(73) Assignee: **Babil Products (UK) Co. Limited**,
Colne (GB)

(**) Term: **14 Years**

(21) Appl. No.: **29/302,681**

(22) Filed: **Jan. 22, 2008**

(30) **Foreign Application Priority Data**

Jul. 31, 2007 (EM) 000767199-0002

(51) **LOC (9) Cl.** **07-01**

(52) **U.S. Cl.** **D24/197**

(58) **Field of Classification Search** D24/193-199;
D3/22, 202, 215, 226, 229-230; D9/447-449,
D9/511, 537-538, 541, 547, 551, 556, 560,
D9/569, 573; D7/507, 510-511, 533, 607,
D7/619.1, 624.2-624.3; 215/6, 11.1-11.6,
215/12.1, 13.1, 255, 256, 378, 387, 398,
215/902, DIG. 8; 446/73, 81, 175; 248/102,
248/363; 294/64.1, 106; 220/719, 739, 902-903,
220/DIG. 27; 222/158, 455, 457
See application file for complete search history.

(56) **References Cited**

U.S. PATENT DOCUMENTS

2,688,467 A * 9/1954 Leatzow 165/67
3,243,069 A * 3/1966 Duerme 215/11.1
4,818,114 A * 4/1989 Ghavi 366/130
5,024,341 A * 6/1991 Dekerle 215/11.1

D330,993 S * 11/1992 Robbins, III D7/510
6,000,565 A * 12/1999 Ibeagwa 215/11.6
D430,676 S * 9/2000 Kong D24/197
6,112,919 A * 9/2000 Ho 215/11.4
D435,108 S * 12/2000 Chomik et al. D24/197
6,241,110 B1 * 6/2001 Hakim 215/11.1
6,601,720 B2 * 8/2003 Meyers et al. 215/11.5
D497,672 S * 10/2004 Renz D24/197
D499,490 S * 12/2004 Conaway D24/197
D534,078 S * 12/2006 Brauner et al. D9/502
D536,618 S * 2/2007 Davis et al. D9/538
D538,939 S * 3/2007 Conaway et al. D24/197
D545,623 S * 7/2007 Renz et al. D7/510

* cited by examiner

Primary Examiner—Robert M Spear

Assistant Examiner—Susan E Krakower

(74) *Attorney, Agent, or Firm*—Egbert Law Offices PLLC

(57) **CLAIM**

The ornamental design for a feeding bottle for an infant, as shown and described.

DESCRIPTION

FIG. 1 is a top plan view of a feeding bottle for an infant showing our design.

FIG. 2 is a front view thereof, a back view being a mirror image thereof;

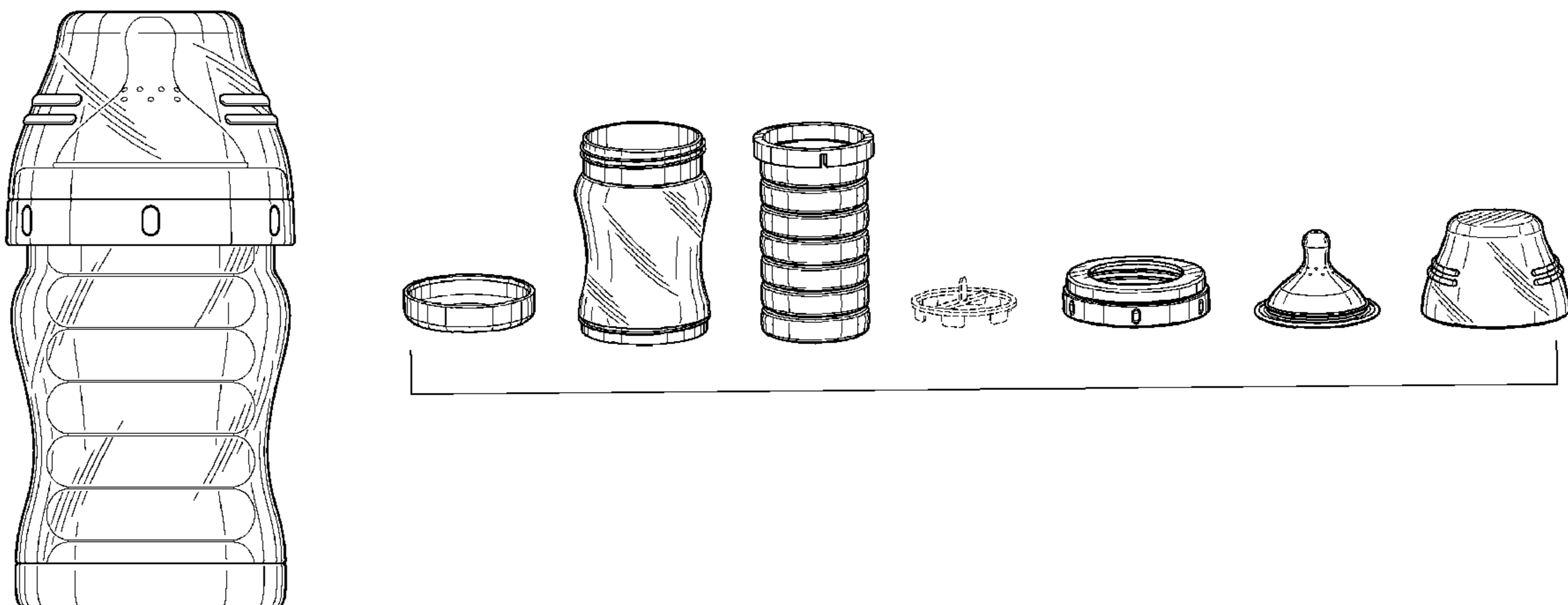
FIG. 3 is bottom view thereof;

FIG. 4 is a side view thereof, an opposite side view being a mirror image thereof; and,

FIG. 5 is an exploded perspective view thereof.

The broken lines in the drawings represent environmental subject matter and form no part of the claimed design.

1 Claim, 3 Drawing Sheets



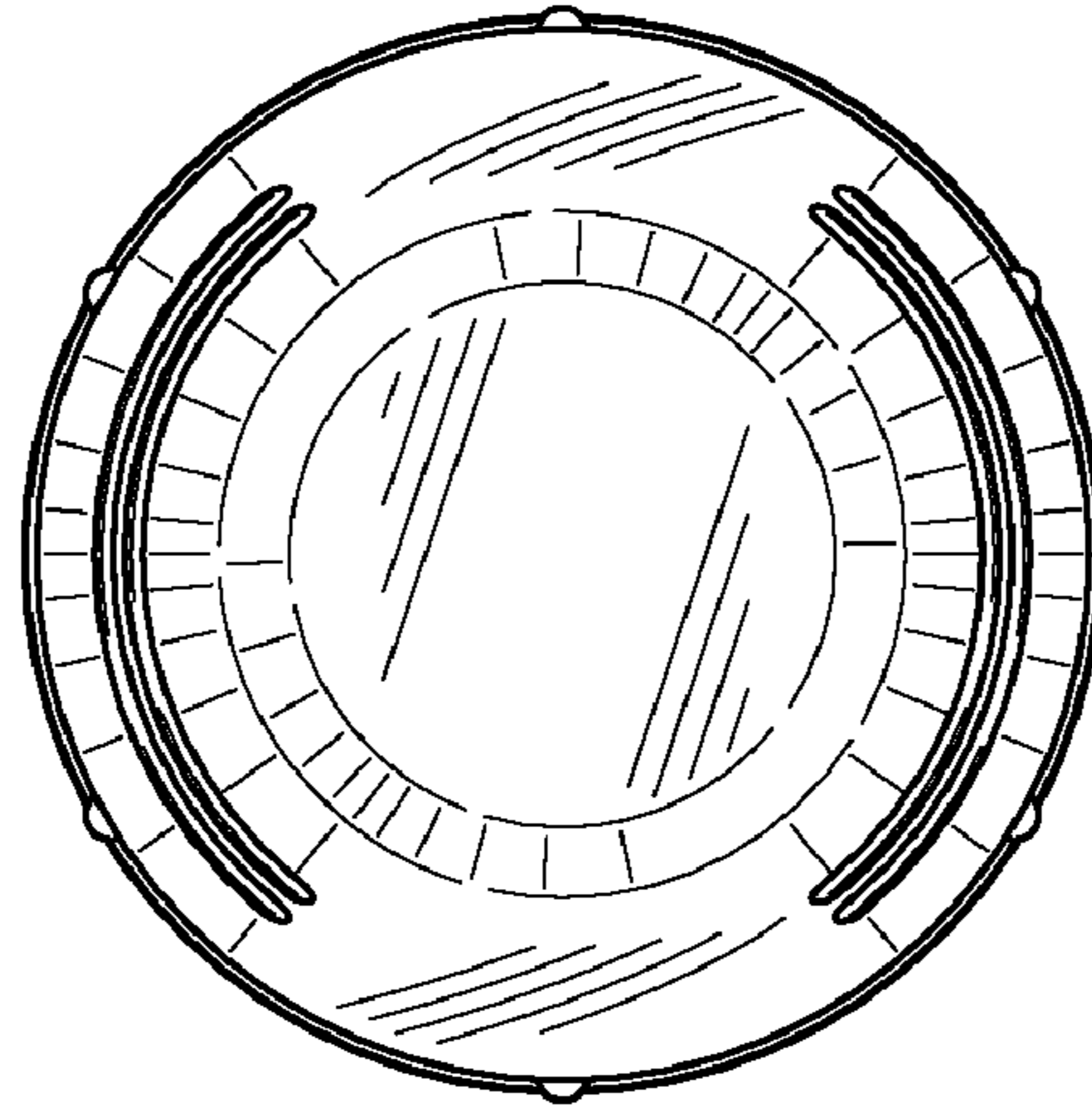


FIG. 1

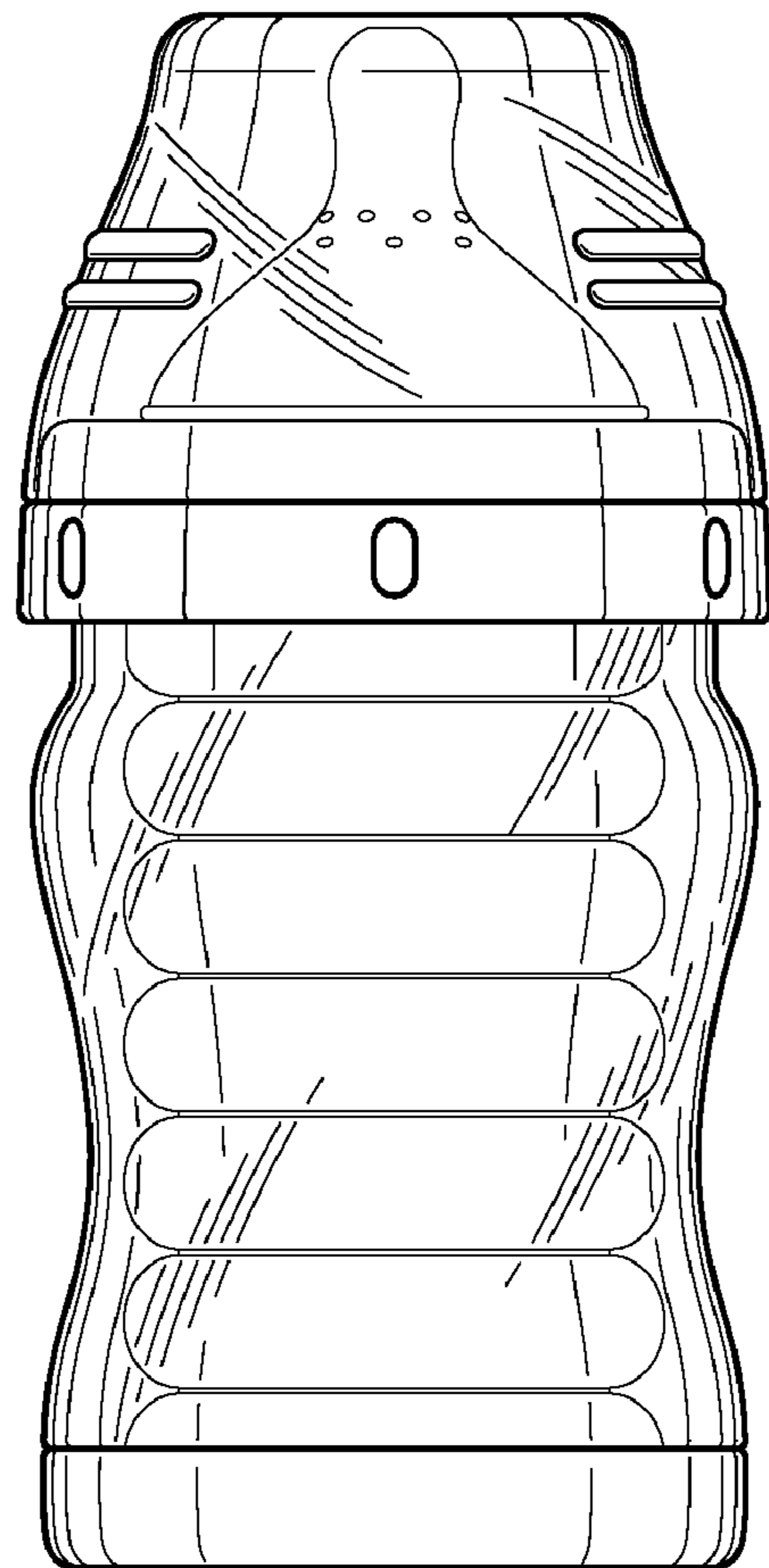


FIG. 2

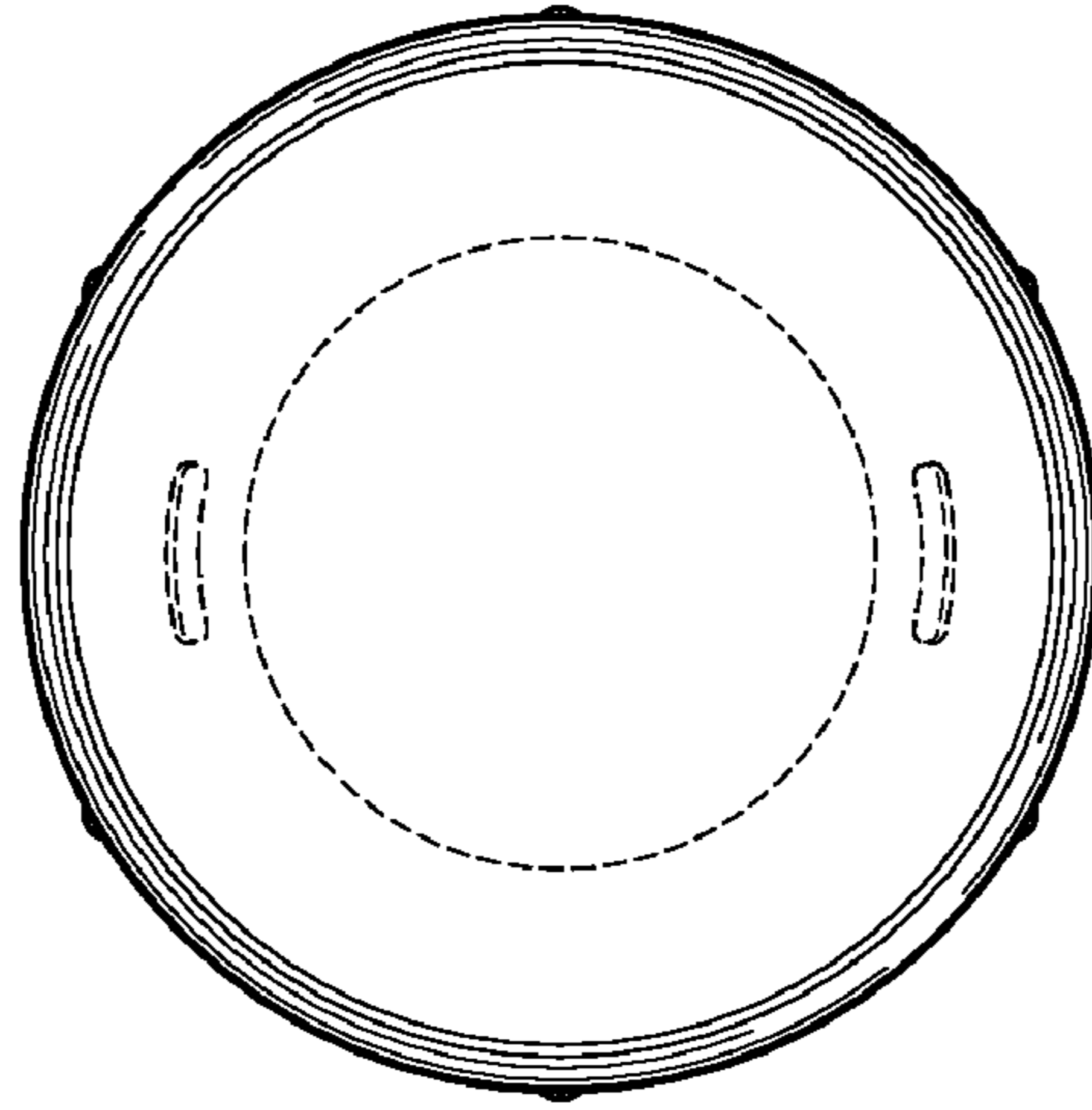


FIG. 3

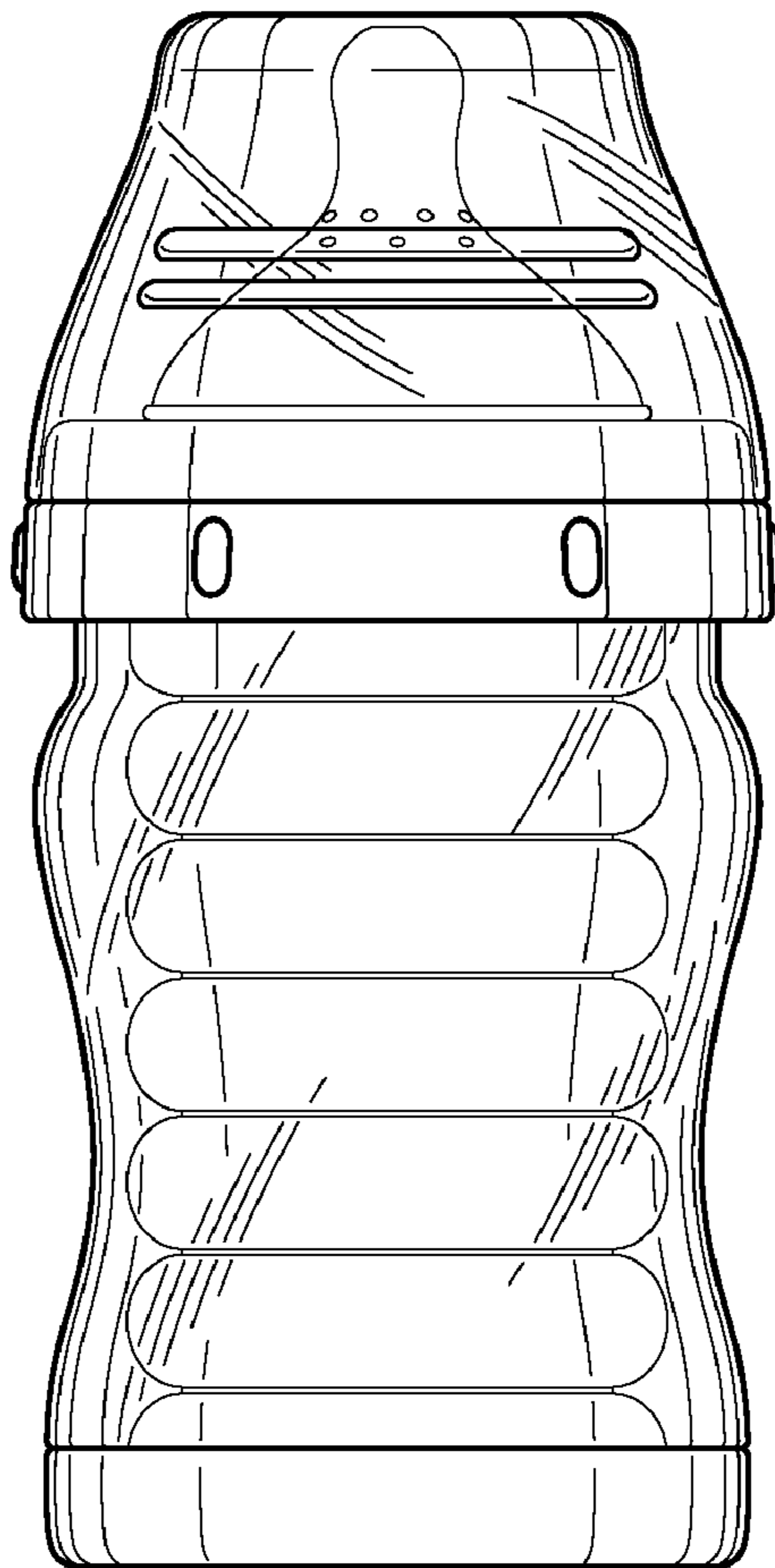


FIG. 4

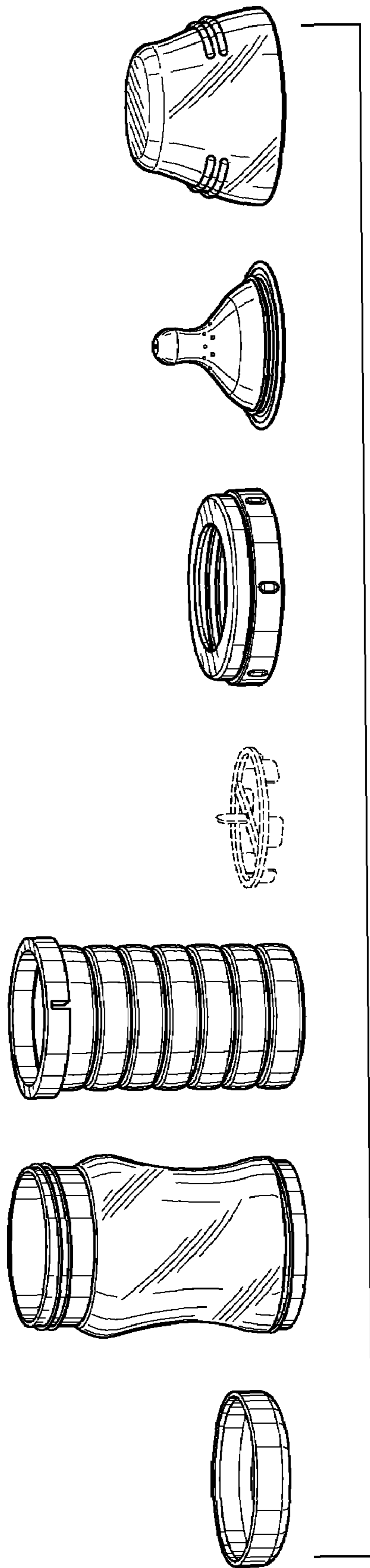


FIG. 5