



US00D595413S

(12) **United States Design Patent**  
**Farrell**

(10) **Patent No.:** **US D595,413 S**  
(45) **Date of Patent:** **\*\* Jun. 30, 2009**

(54) **FRAME FOR ORAL APPLIANCE**

D570,550 S \* 6/2008 Broersma ..... D29/108

(76) Inventor: **Christopher John Farrell**, Suite 27-28,  
Helensvale Plaza, Sir John Overall Drive,  
Helensvale, Queensland 4212 (AU)

FOREIGN PATENT DOCUMENTS  
WO WO 2006/108209 A1 10/2006

(\*\*) Term: **14 Years**

OTHER PUBLICATIONS

(21) Appl. No.: **29/303,931**

U.S. Appl. No. 29/303,930, filed Feb. 20, 2008, Farrell.  
U.S. Appl. No. 29/303,932, filed Feb. 20, 2008, Farrell.

(22) Filed: **Feb. 20, 2008**

\* cited by examiner

(30) **Foreign Application Priority Data**

*Primary Examiner*—Charles A Rademaker  
(74) *Attorney, Agent, or Firm*—Foley & Lardner LLP

Aug. 28, 2007 (AU) ..... 19536/07

(57) **CLAIM**

(51) **LOC (9) Cl.** ..... **24-99**

I claim the ornamental design for a frame for oral appliance,  
as shown and described.

(52) **U.S. Cl.** ..... **D24/181; D29/109**

(58) **Field of Classification Search** ..... D24/155,  
D24/156, 107, 176, 180, 181, 182; 433/173,  
433/176, 49, 70, 168.1; D8/387, 388; D29/108,  
D29/100; 128/859, 861, 862

**DESCRIPTION**

See application file for complete search history.

FIG. 1 is a front perspective view of a frame for oral appliance  
showing my new design;

FIG. 2 is a rear perspective view thereof;

FIG. 3 is a rear elevation thereof;

FIG. 4 is a front elevation thereof;

FIG. 5 is a left side elevation thereof;

FIG. 6 is a right side elevation thereof;

FIG. 7 is a bottom plan view; and,

FIG. 8 is a top plan view thereof.

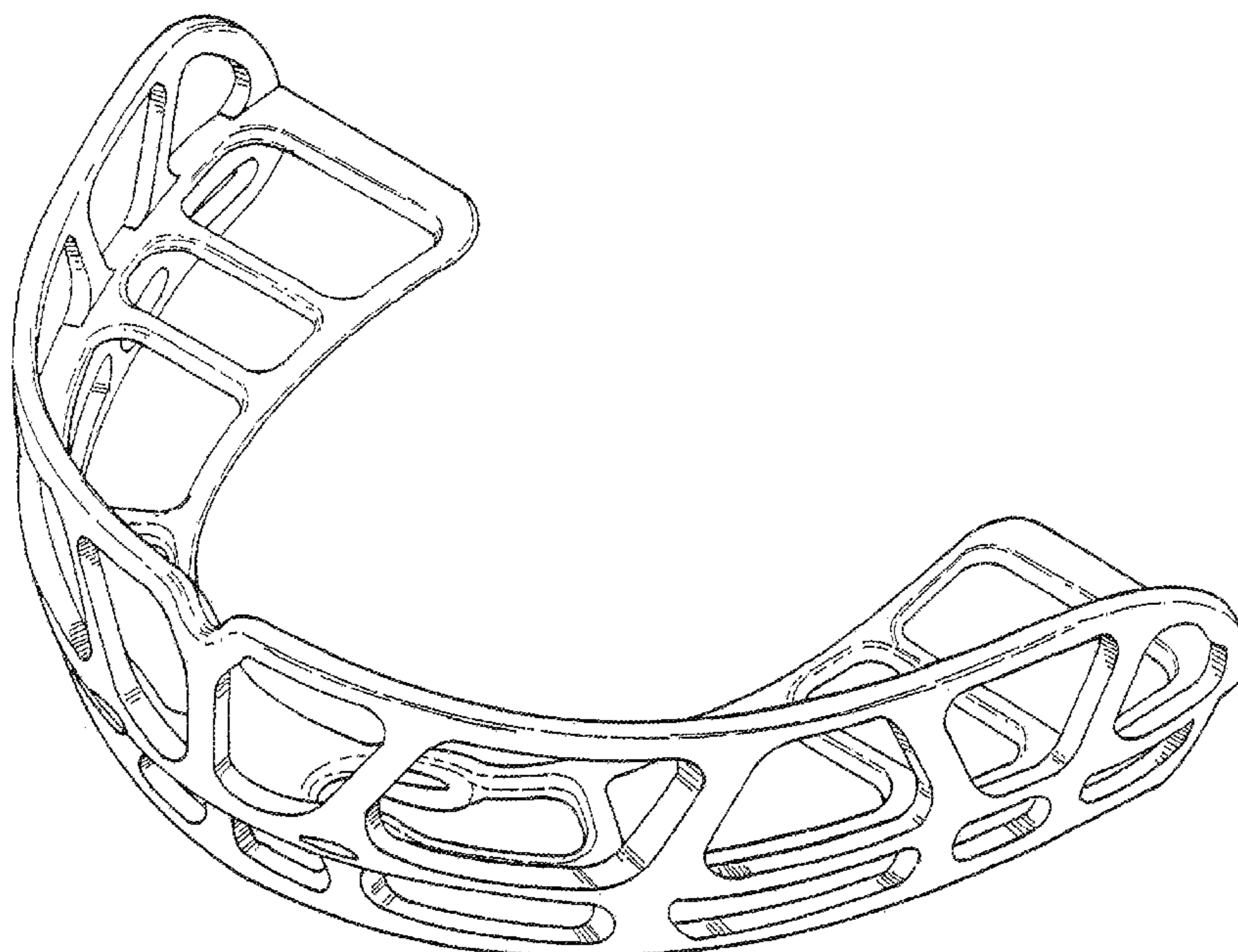
The claimed ornamental design is shown in solid lines in the  
drawings. The broken lines in the drawings are for illustrative  
purposes only and form no part of the claimed design.

(56) **References Cited**

**U.S. PATENT DOCUMENTS**

3,312,218	A	*	4/1967	Jacobs	.....	128/862
D278,274	S	*	4/1985	Levine	.....	D24/181
D281,532	S	*	11/1985	Weissman	.....	D24/181
D372,088	S	*	7/1996	Frush	.....	D24/181
D372,096	S	*	7/1996	Frush	.....	D24/181
D382,965	S	*	8/1997	Wagner	.....	D29/108
D383,845	S	*	9/1997	Mitchell et al.	.....	D24/181
D492,785	S	*	7/2004	Garabito	.....	D24/181
D504,744	S	*	5/2005	Hidalgo et al.	.....	D29/108
D541,481	S	*	4/2007	Farrell	.....	D29/108

**1 Claim, 4 Drawing Sheets**



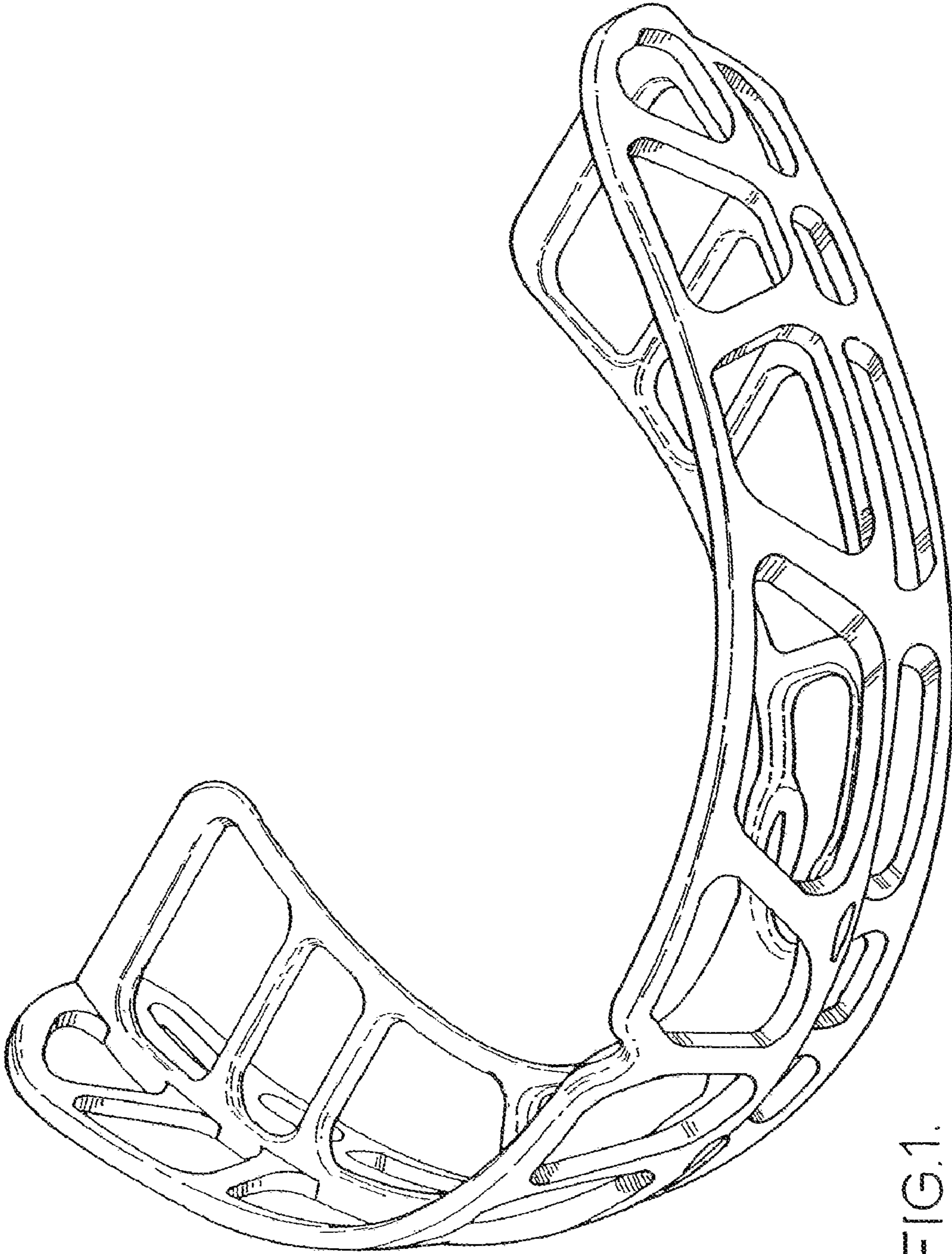


FIG. 1.

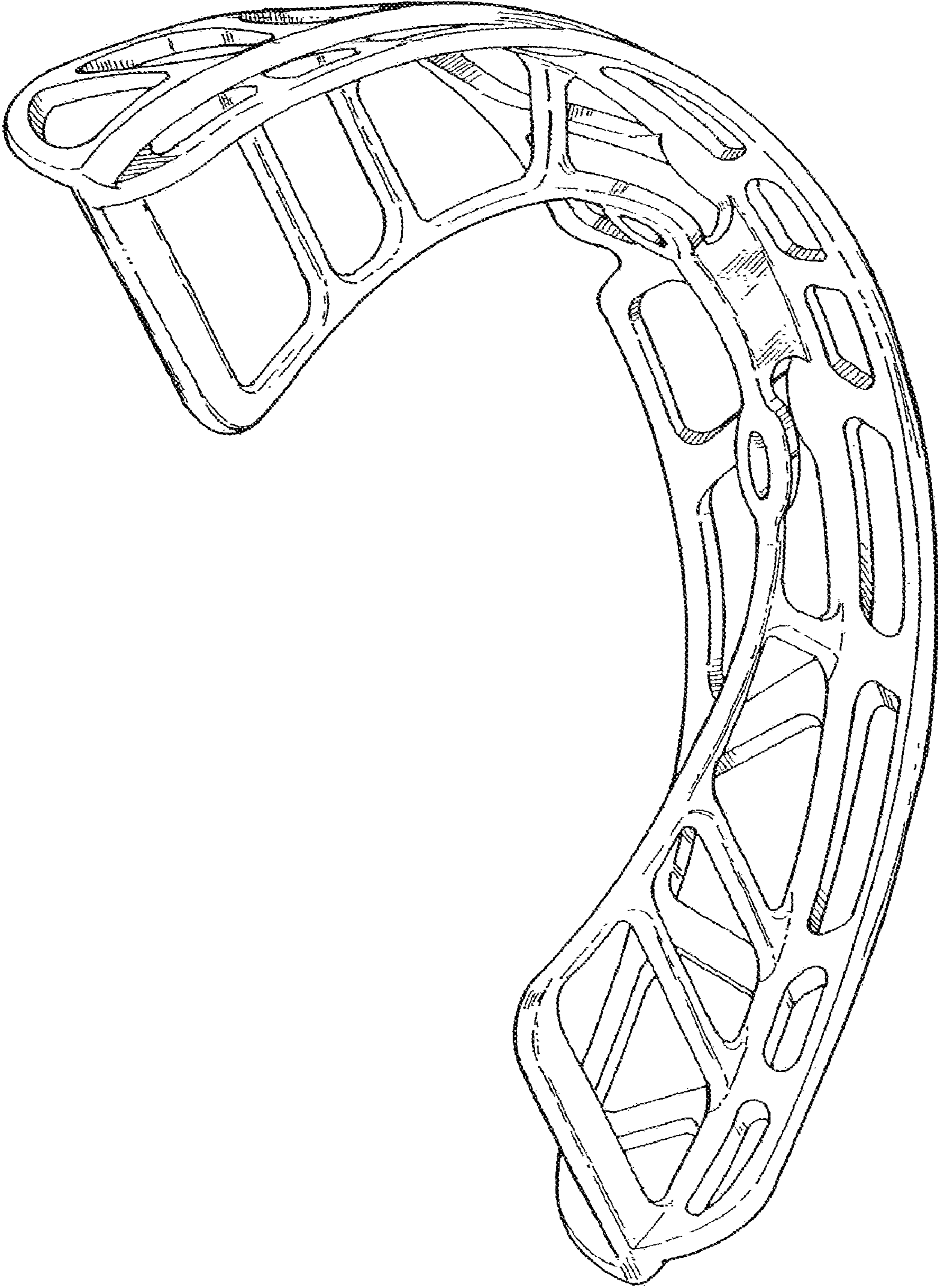


FIG. 2.

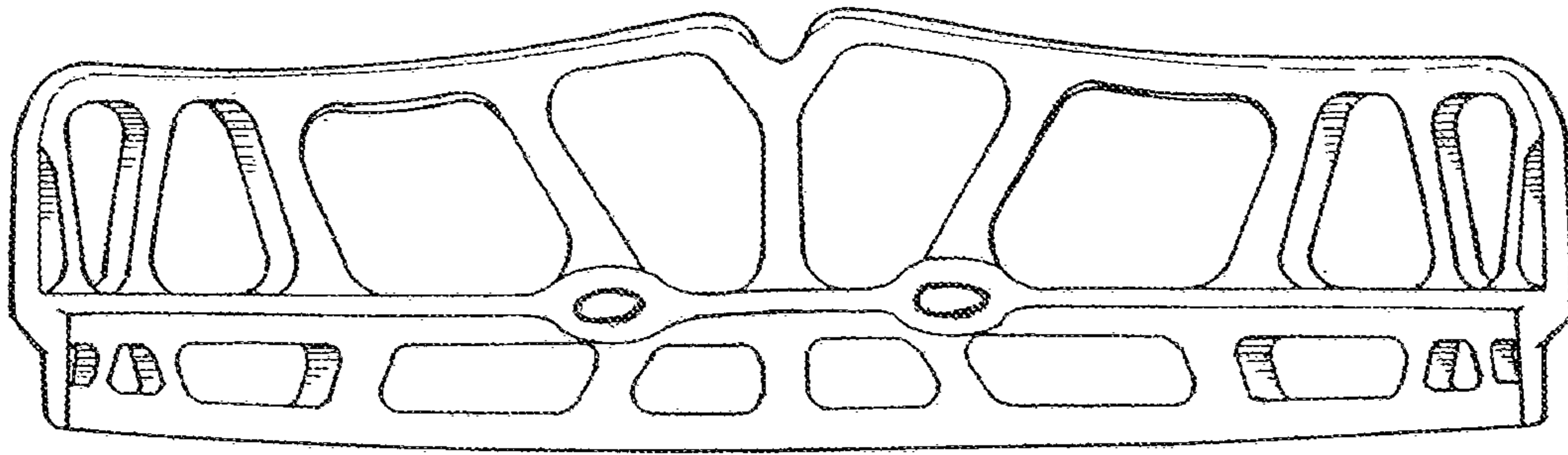


FIG. 3.

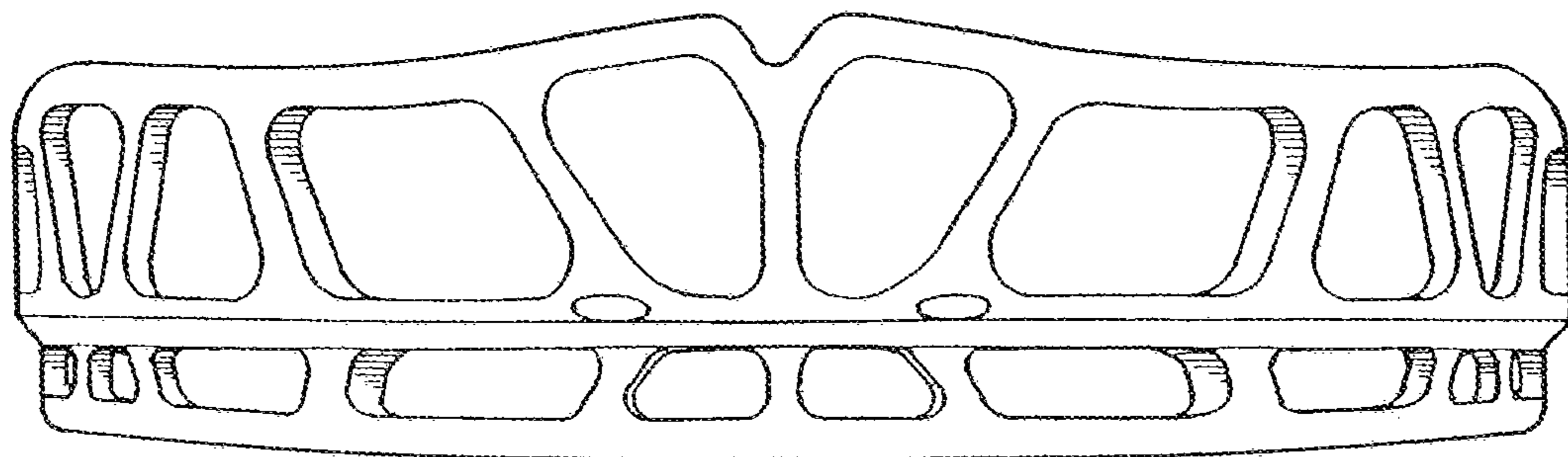


FIG. 4.

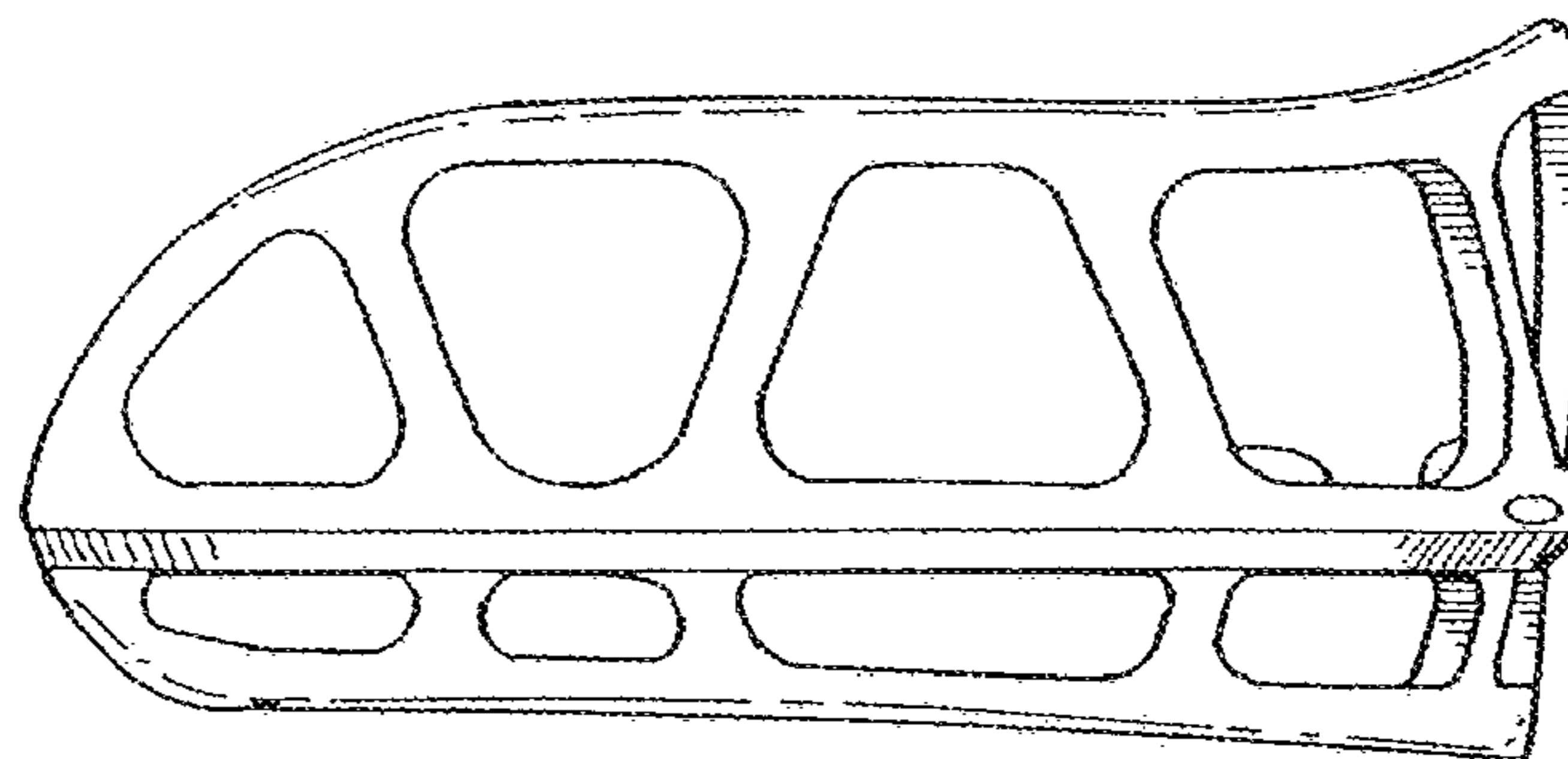


FIG. 5.

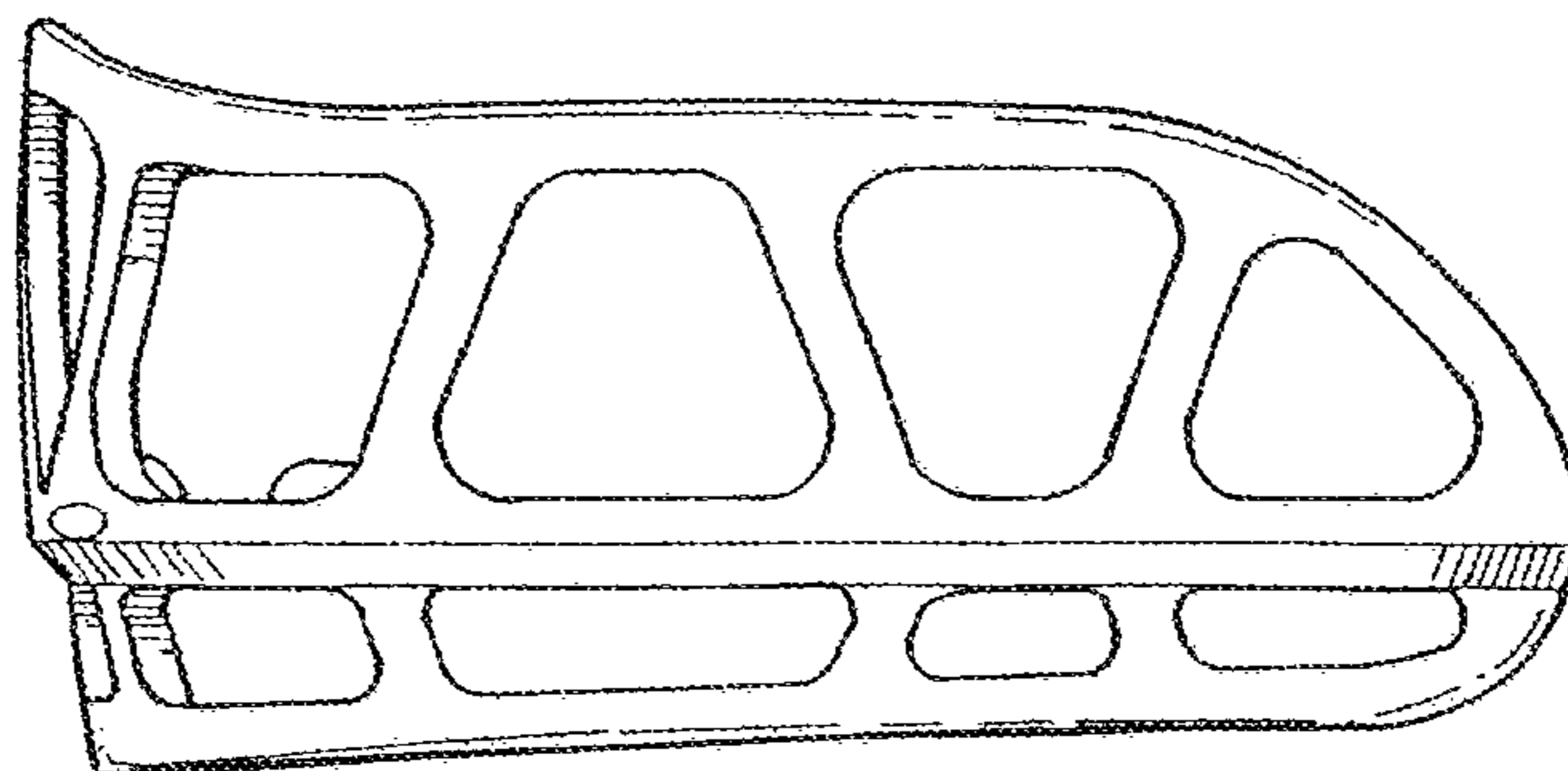


FIG. 6.

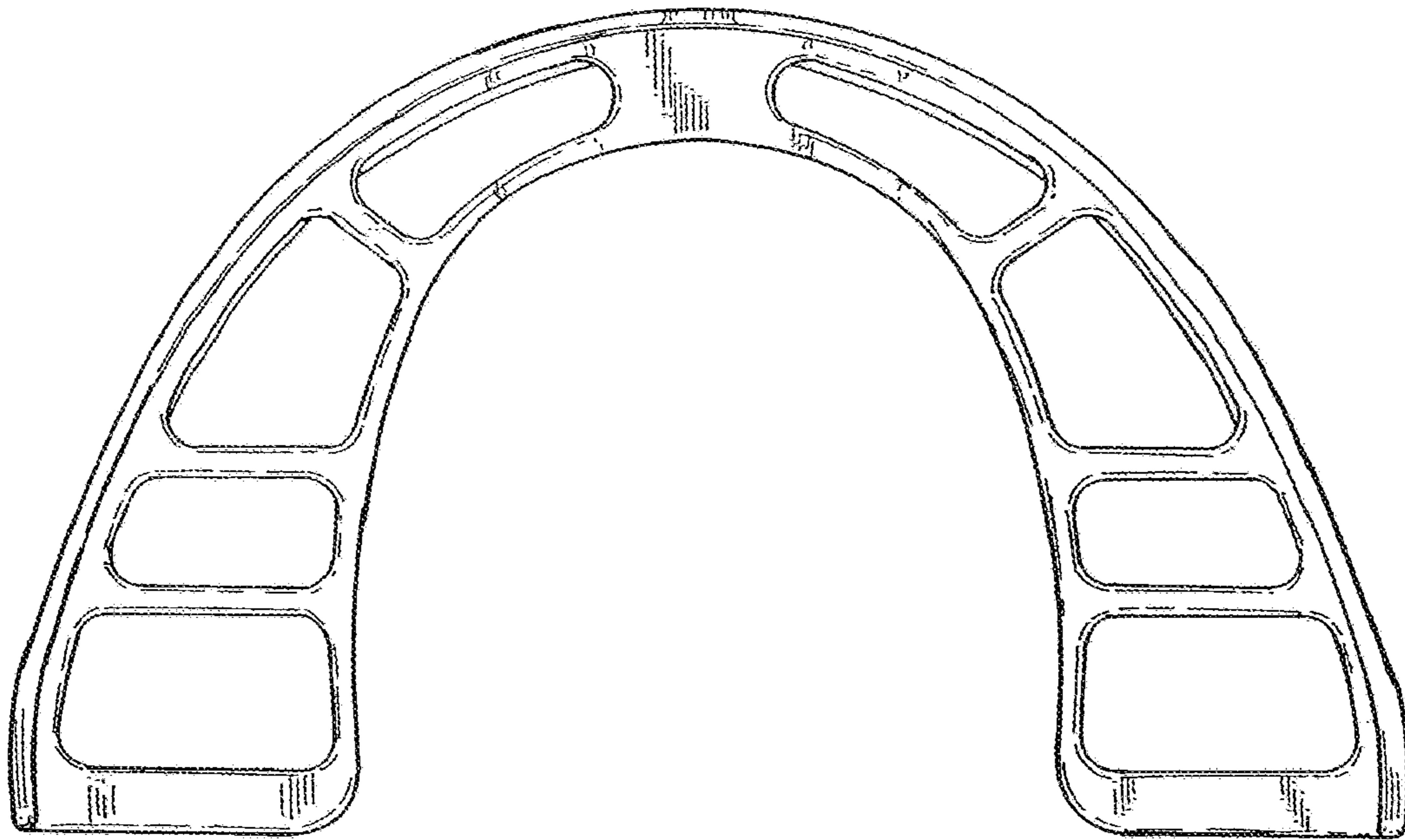


FIG. 7.

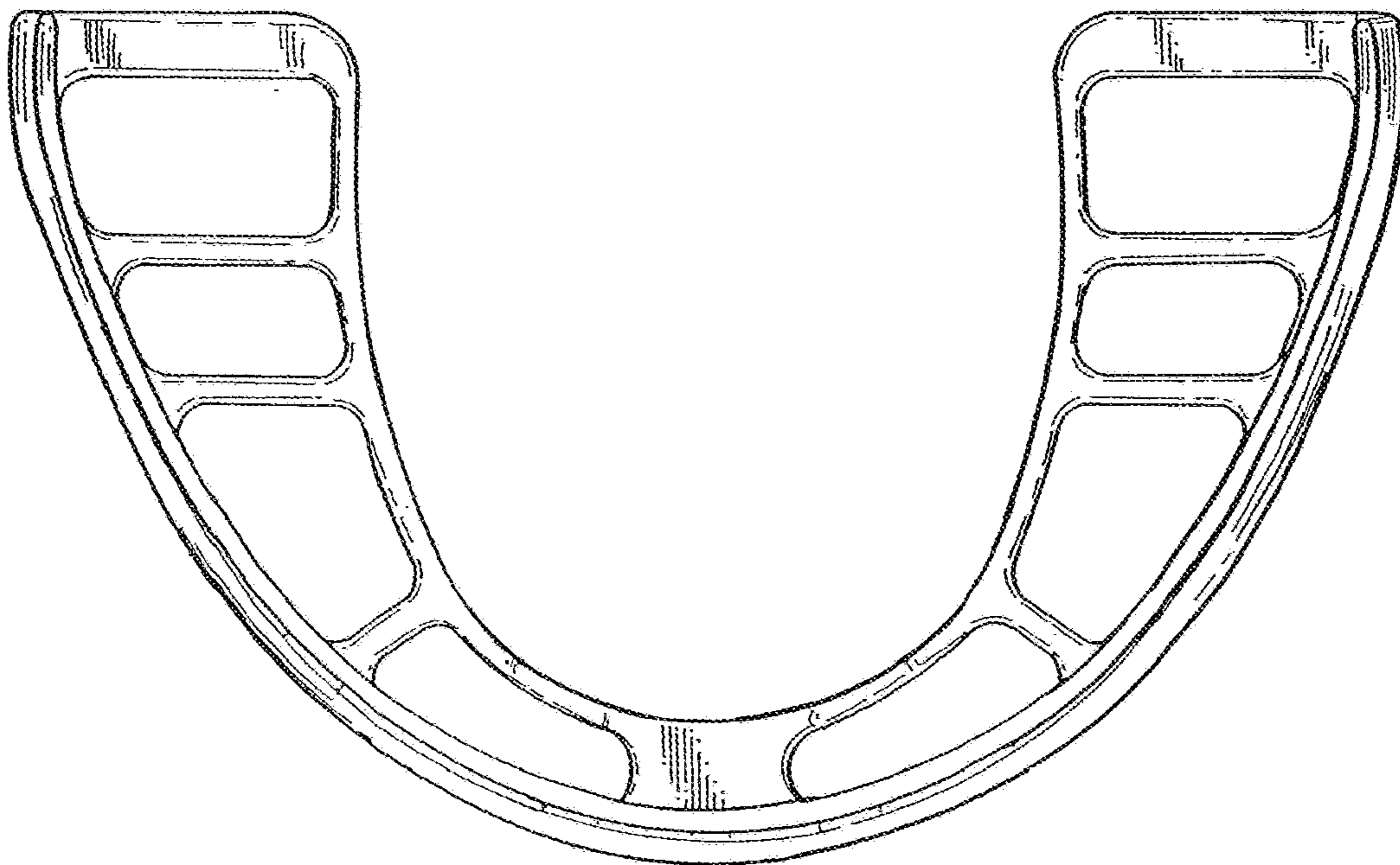


FIG. 8.