



US00D595412S

(12) **United States Design Patent**
Malmén et al.

(10) **Patent No.:** **US D595,412 S**
(45) **Date of Patent:** **** Jun. 30, 2009**

(54) **DENTAL UNIT**

(75) Inventors: **Kari Malmén**, Helsinki (FI); **Timo Silvonen**, Espoo (FI)

(73) Assignee: **Planmeca Oy**, Helsinki (FI)

(**) Term: **14 Years**

(21) Appl. No.: **29/274,759**

(22) Filed: **May 21, 2007**

(30) **Foreign Application Priority Data**

Nov. 22, 2006 (FI) M20060214

(51) **LOC (9) Cl.** **24-02**

(52) **U.S. Cl.** **D24/178**

(58) **Field of Classification Search** D24/152-154,
D24/177-179, 186; D12/421, 178, 316;
378/97; D6/500, 501; 280/304.1; 422/82.05
See application file for complete search history.

(56) **References Cited**

U.S. PATENT DOCUMENTS

- D202,618 S * 10/1965 Maurer D24/177
- D206,267 S * 11/1966 Maurer D24/178
- 3,346,957 A * 10/1967 Maurer et al. 433/79
- D209,139 S * 11/1967 Maurer D24/177
- D210,945 S * 5/1968 McGouirk D24/178
- 3,445,934 A * 5/1969 Harris 433/79
- 3,755,899 A * 9/1973 Betush 433/28

- D233,990 S * 12/1974 Booth D24/177
- D246,534 S * 11/1977 Buckley D24/177
- D292,526 S * 10/1987 Nakayama D24/172
- D336,381 S * 6/1993 Nordstrom D10/98
- D351,231 S * 10/1994 Austin et al. D24/177
- D458,378 S * 6/2002 Bevington D24/177

* cited by examiner

Primary Examiner—Charles A Rademaker

Assistant Examiner—Charles D Hanson

(74) *Attorney, Agent, or Firm*—Nixon & Vanderhye, P.C.

(57) **CLAIM**

The ornamental design for a dental unit, as shown and described.

DESCRIPTION

FIG. 1 is a top and front perspective of a dental unit showing our new design;

FIG. 2 is a left side elevation thereof;

FIG. 3 is a top and left side perspective view thereof;

FIG. 4 is a right side perspective view thereof;

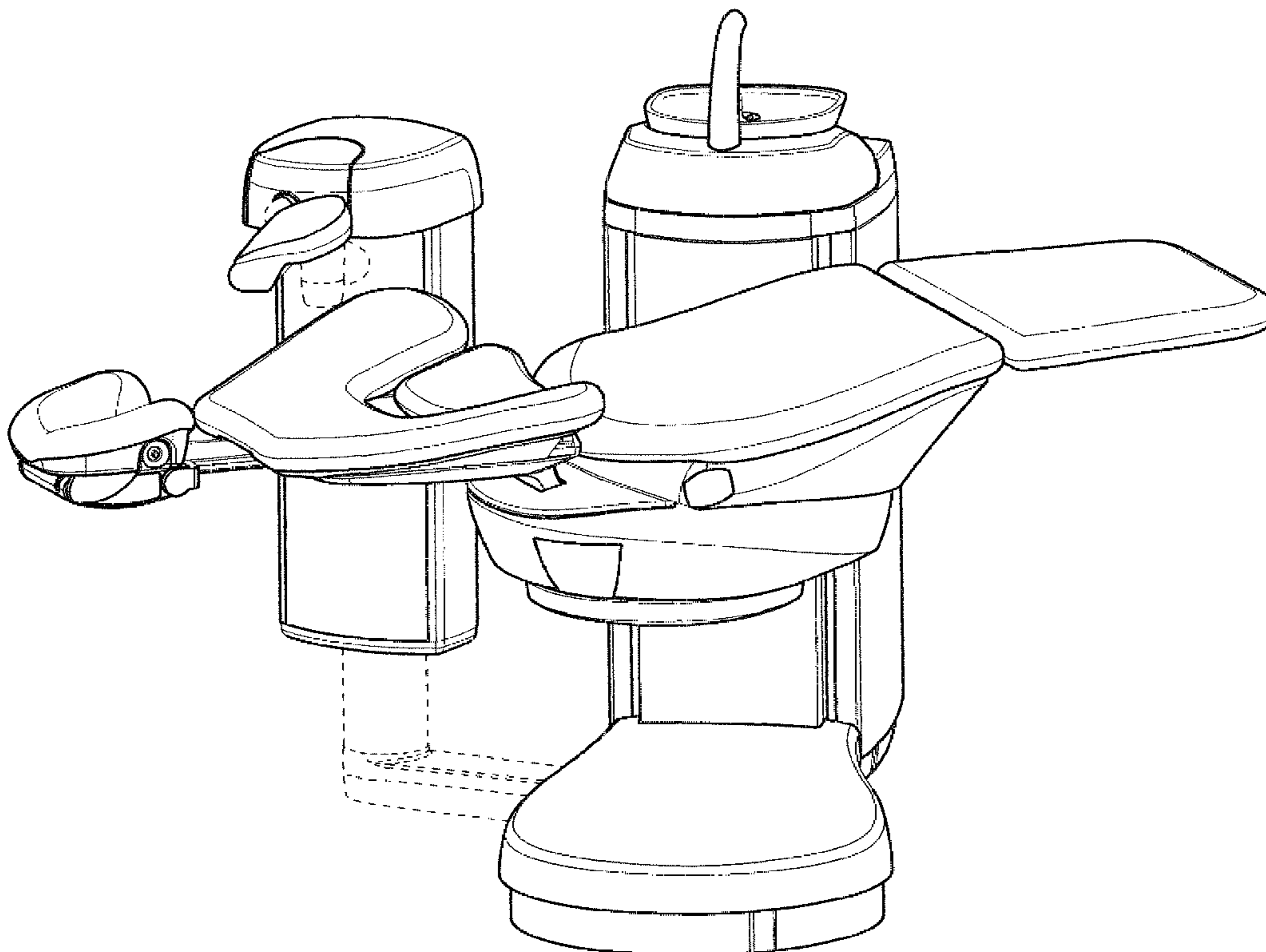
FIG. 5 is a right side elevation thereof;

FIG. 6 is a top plan view thereof; and,

FIG. 7 is a bottom plan view thereof.

The broken lines in the drawings are included for the purpose of illustrating environment and form no part of the claimed design.

1 Claim, 7 Drawing Sheets



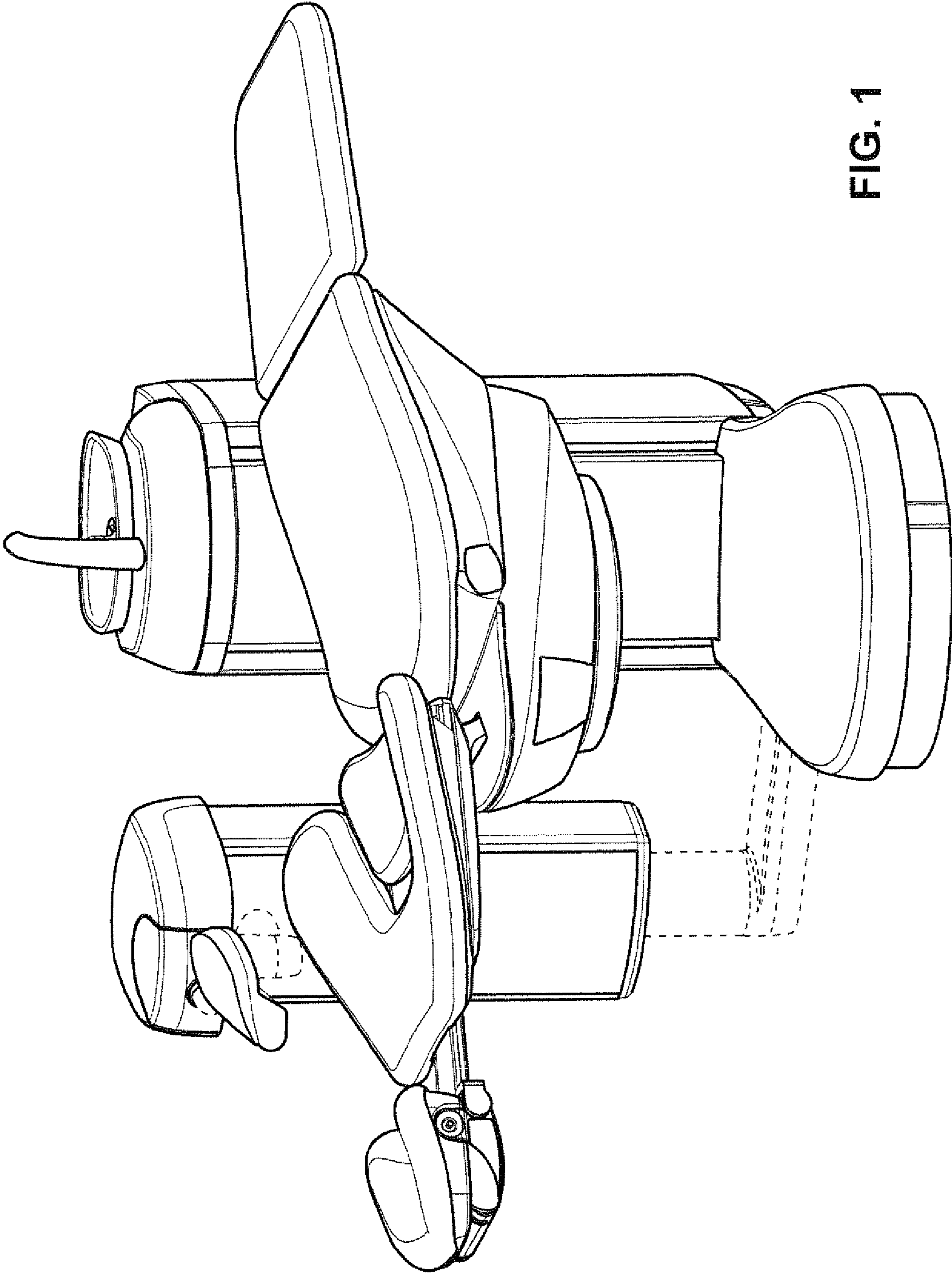


FIG. 1

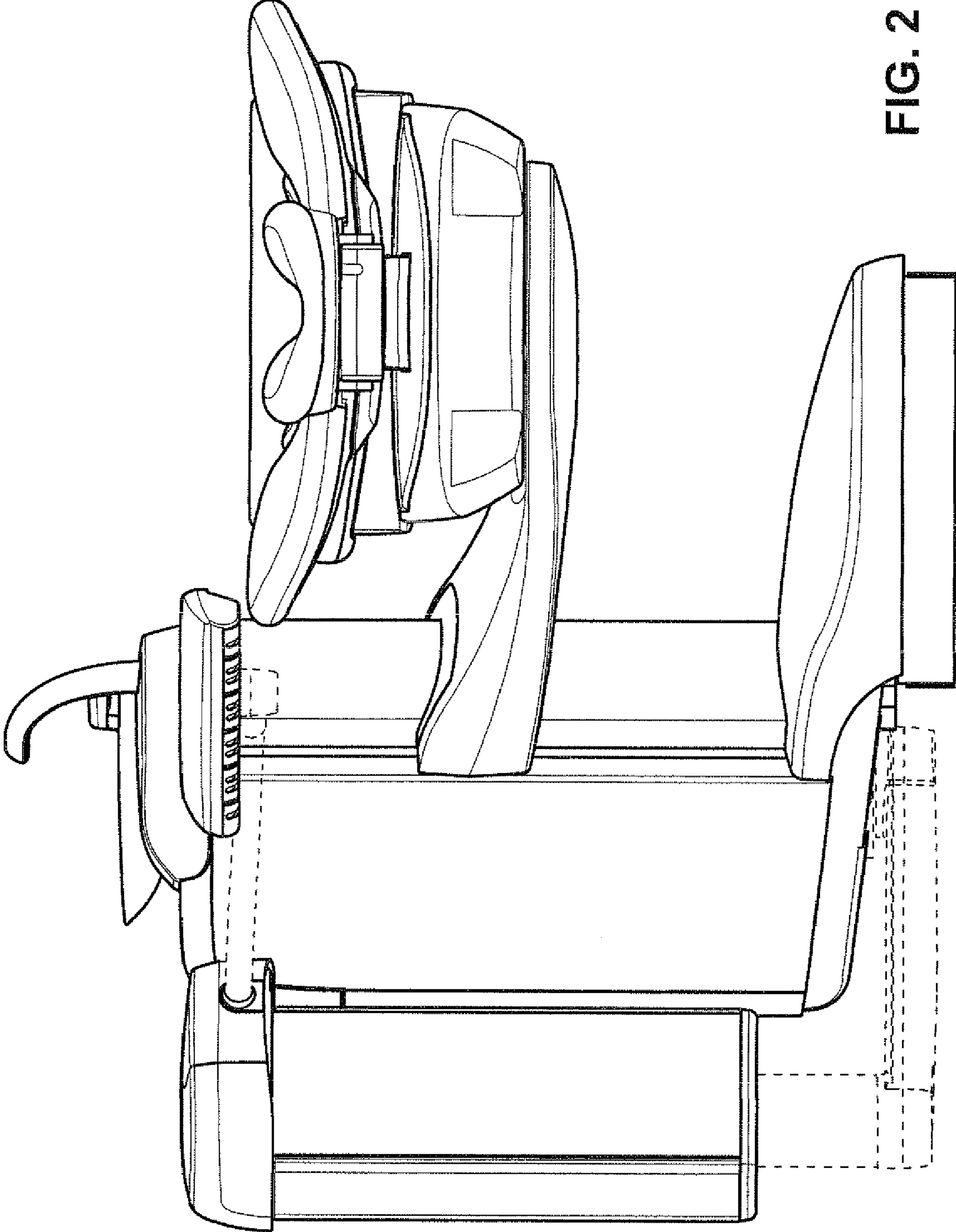


FIG. 2

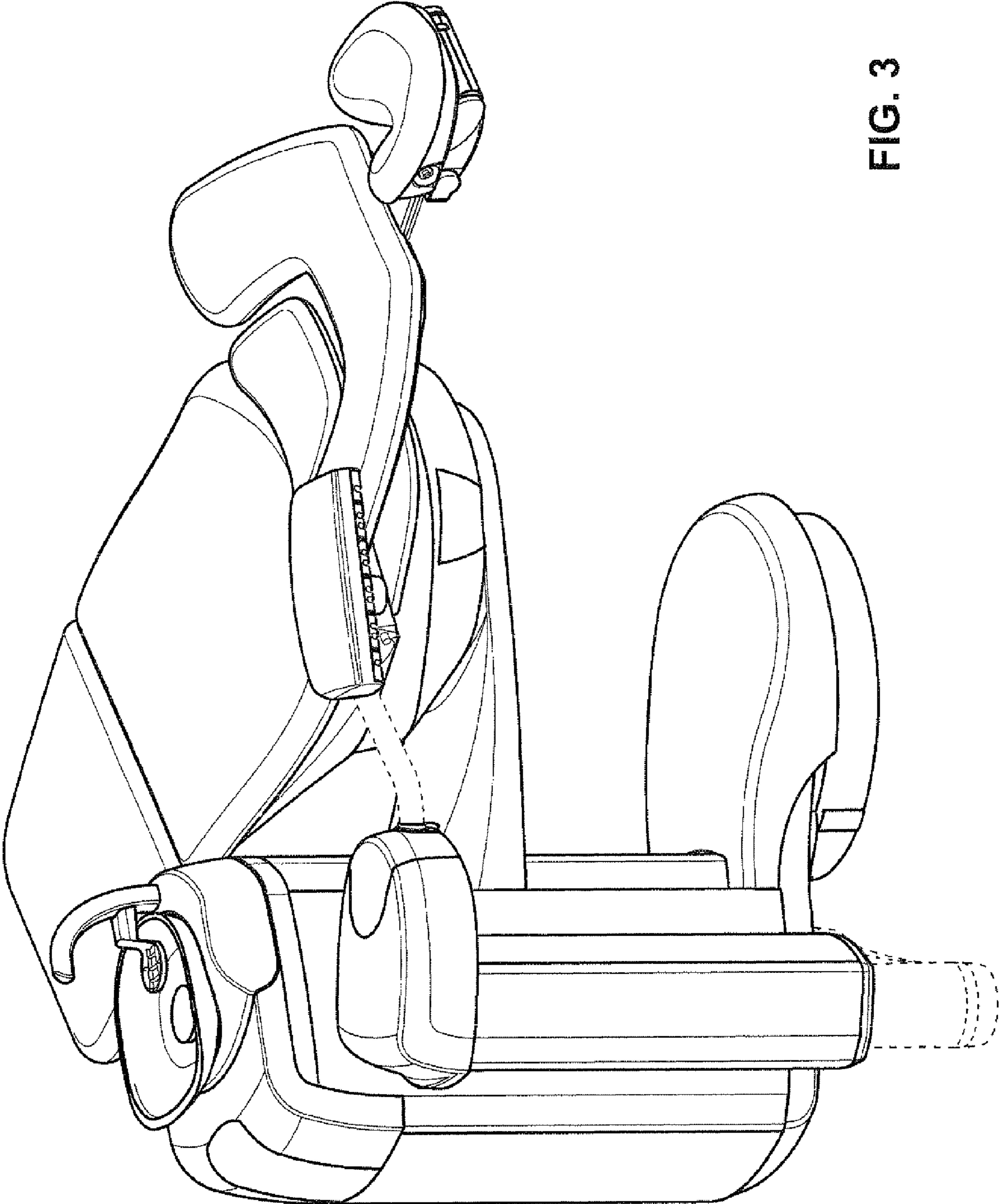


FIG. 3

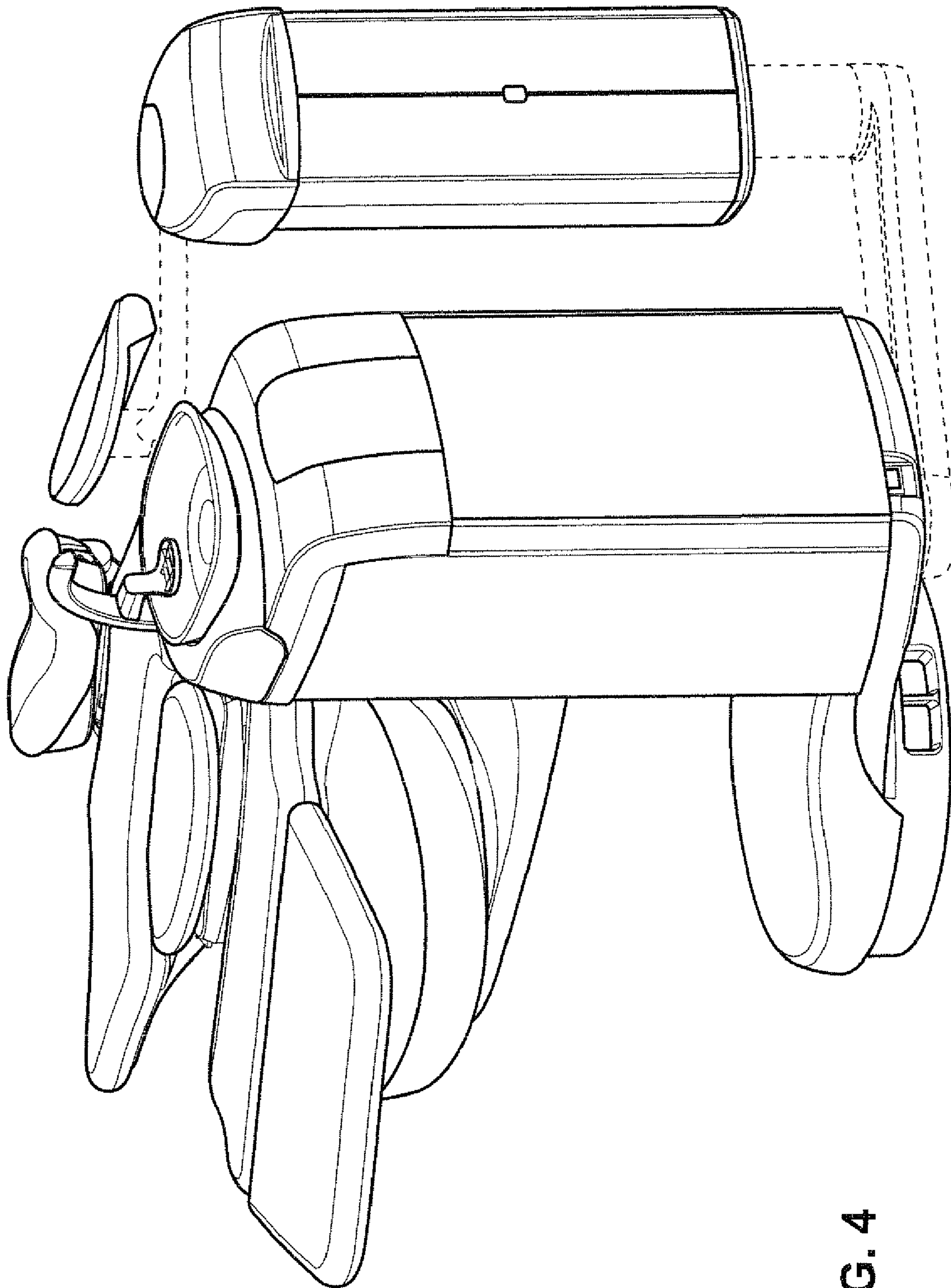


FIG. 4

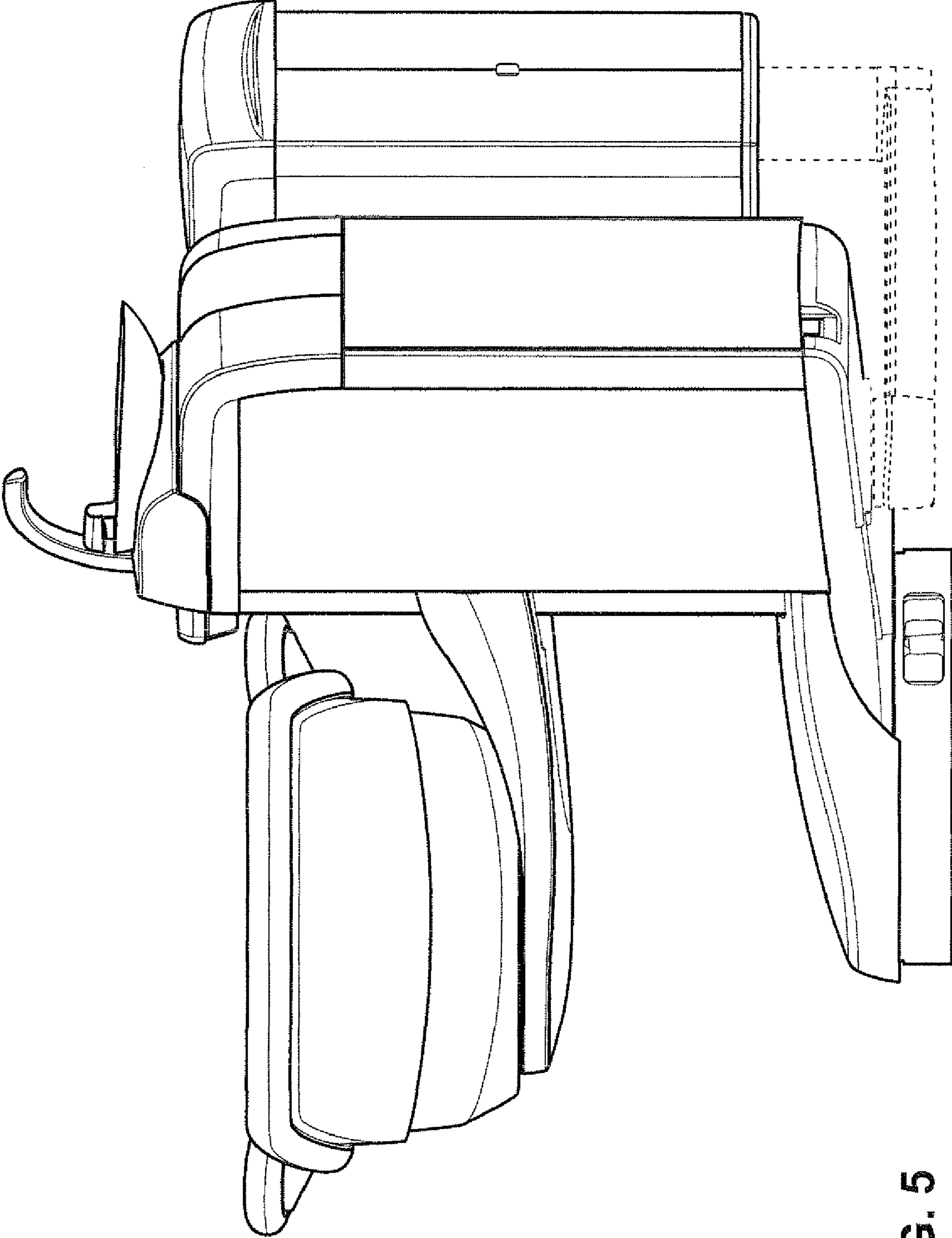


FIG. 5

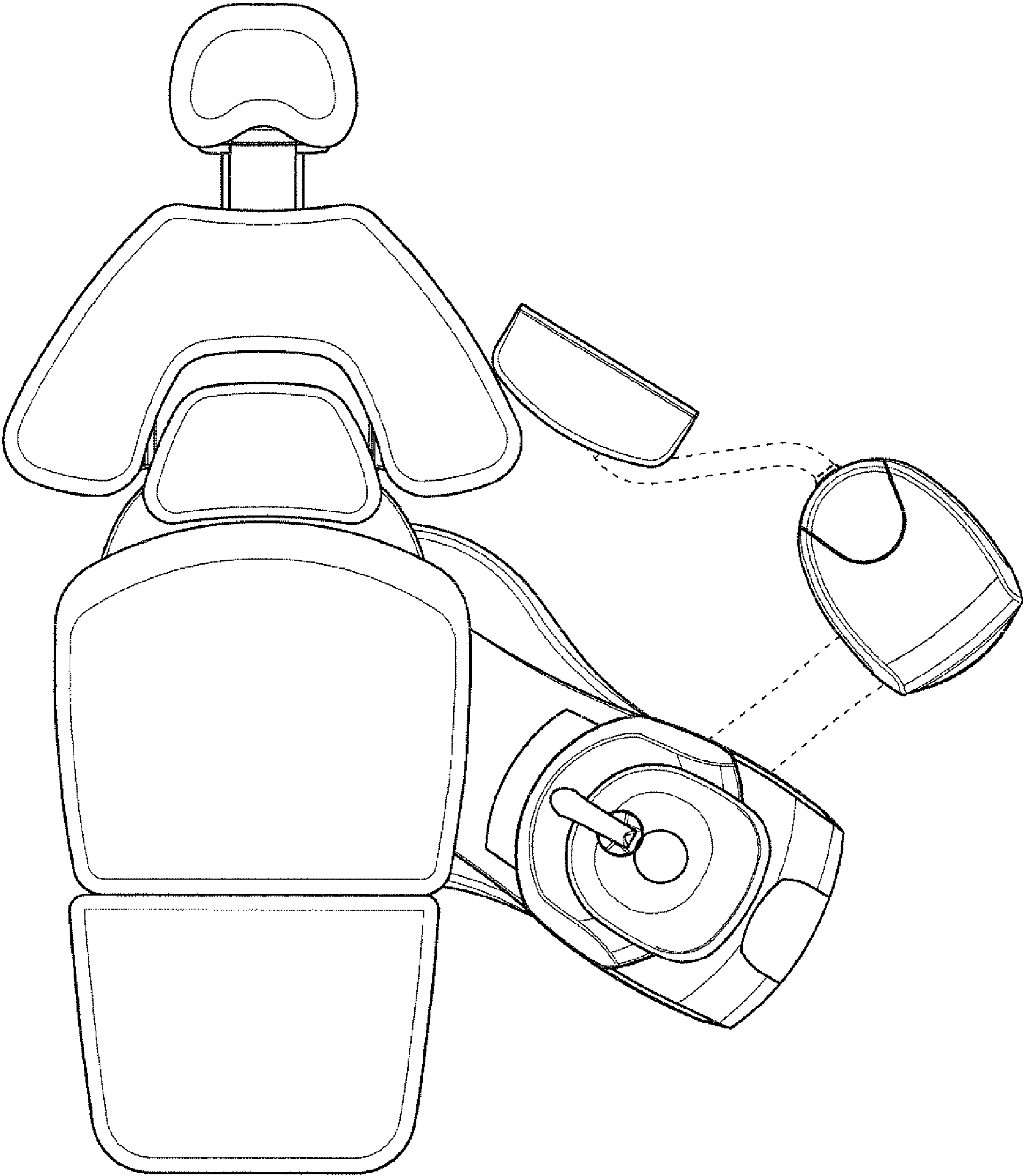


FIG. 6

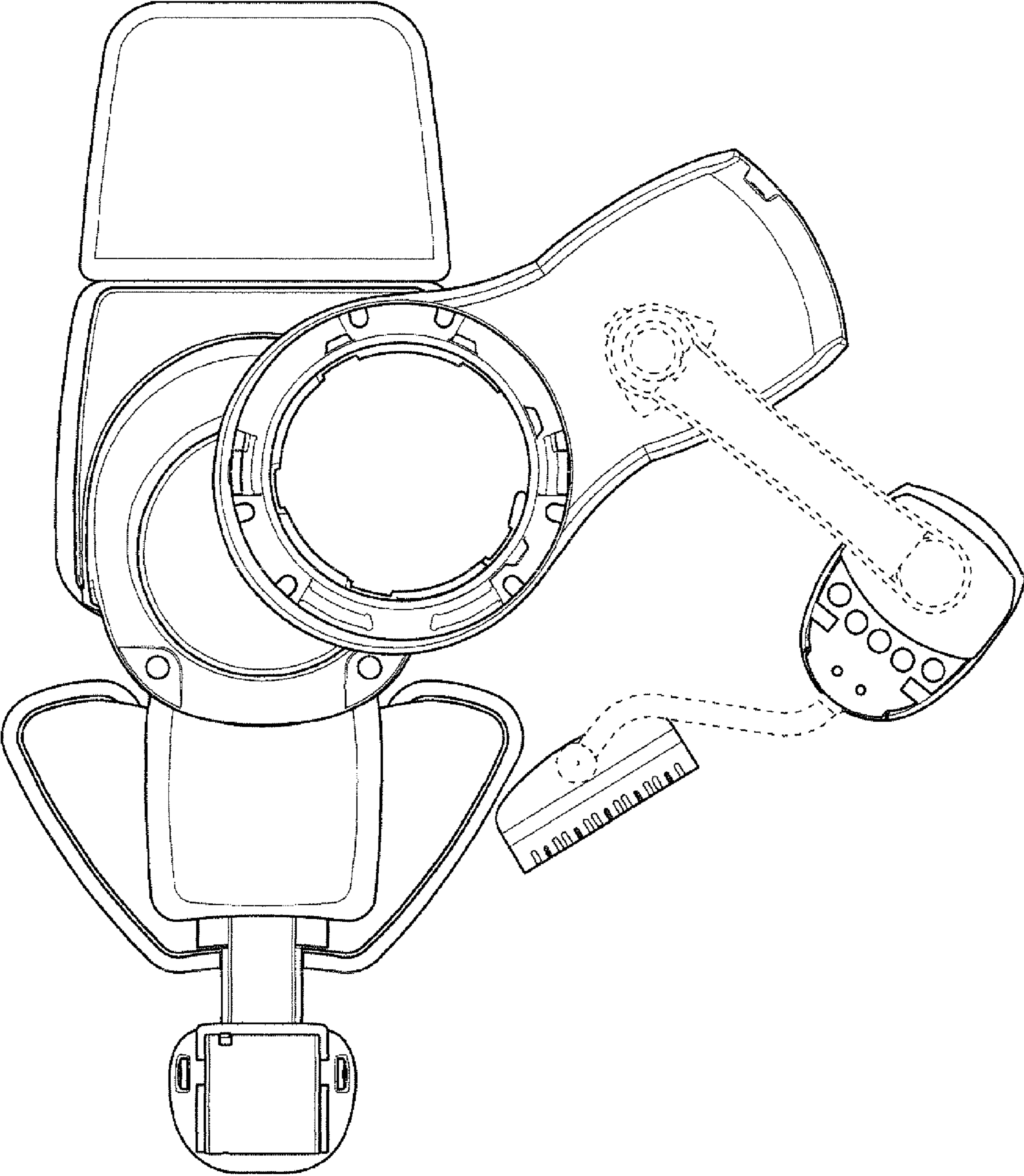


FIG. 7