



US00D595404S

(12) **United States Design Patent**
Pan

(10) **Patent No.:** **US D595,404 S**

(45) **Date of Patent:** **** Jun. 30, 2009**

(54) **FAN BLADE BRACKET**

(75) Inventor: **Peter Pan**, Tazih Township, Taichung County (TW)

(73) Assignee: **Air Cool Industrial Co., Ltd.**, Taichung County (TW)

(**) Term: **14 Years**

(21) Appl. No.: **29/331,122**

(22) Filed: **Jan. 21, 2009**

(51) **LOC (9) Cl.** **23-04**

(52) **U.S. Cl.** **D23/411**

(58) **Field of Classification Search** D23/377,
D23/379, 385, 411, 413; 416/5
See application file for complete search history.

(56) **References Cited**

U.S. PATENT DOCUMENTS

- D376,004 S * 11/1996 Tsuji D23/377
- D406,332 S * 3/1999 Liu D23/411
- D445,892 S * 7/2001 Hsieh D23/411
- D545,422 S * 6/2007 Glasbrenner D23/377

D559,971 S * 1/2008 Frampton et al. D23/411

* cited by examiner

Primary Examiner—Lisa P Lichtenstein

(74) *Attorney, Agent, or Firm*—Ming Chow; Sinorica, LLC

(57) **CLAIM**

I claim the ornamental design for a fan blade bracket, as shown and described.

DESCRIPTION

FIG. 1 is a front perspective view of a fan blade bracket showing my new design;

FIG. 2 is a front elevational view thereof;

FIG. 3 is a rear elevational view thereof.

FIG. 4 is a left side elevational view thereof;

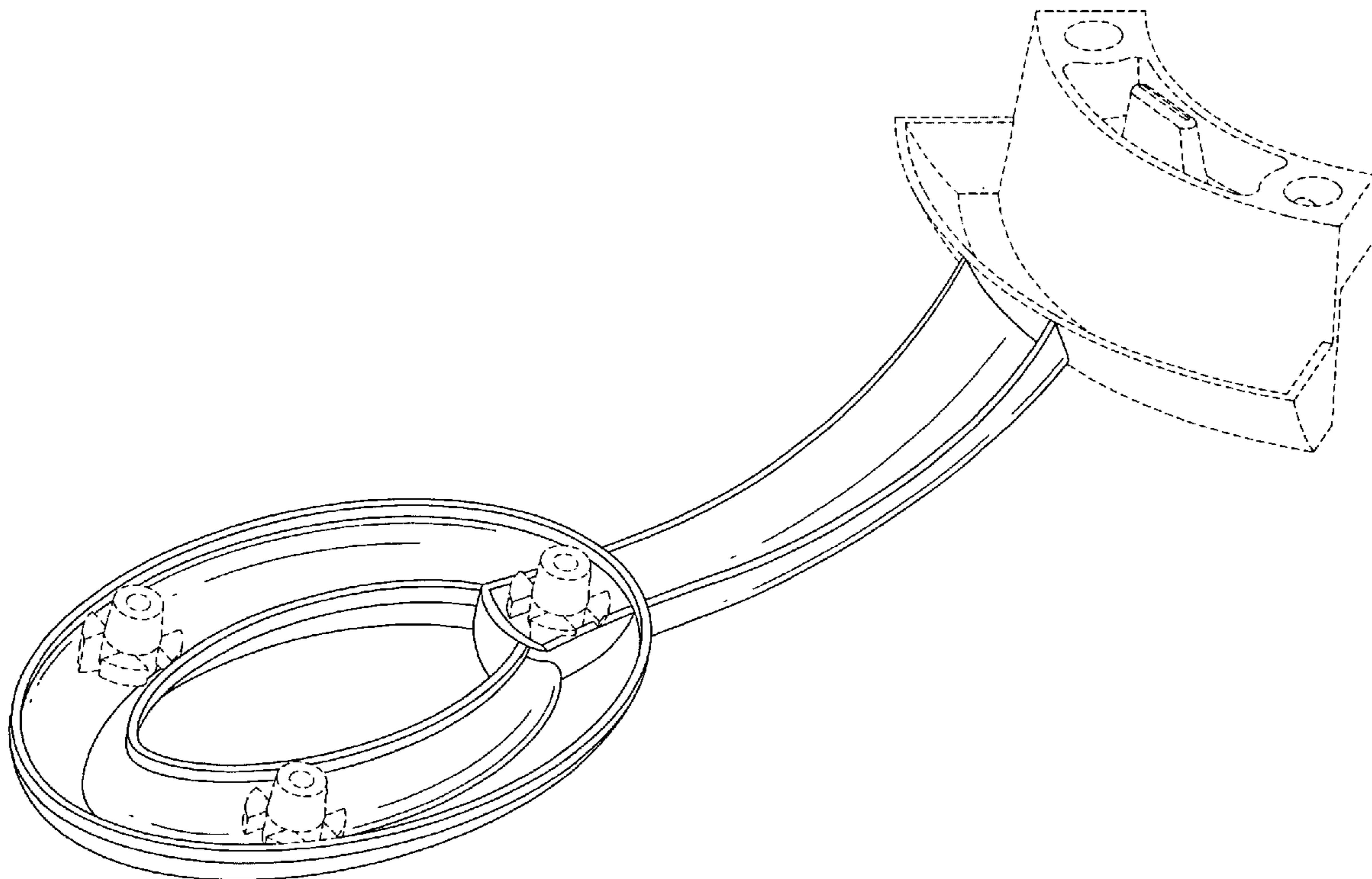
FIG. 5 is a right side elevational view thereof;

FIG. 6 is a top plan view thereof; and,

FIG. 7 is a bottom plan view thereof.

The broken line showing of portions of the fan blade bracket is included for the purpose of illustrating environmental structure and forms no part of the claimed design.

1 Claim, 6 Drawing Sheets



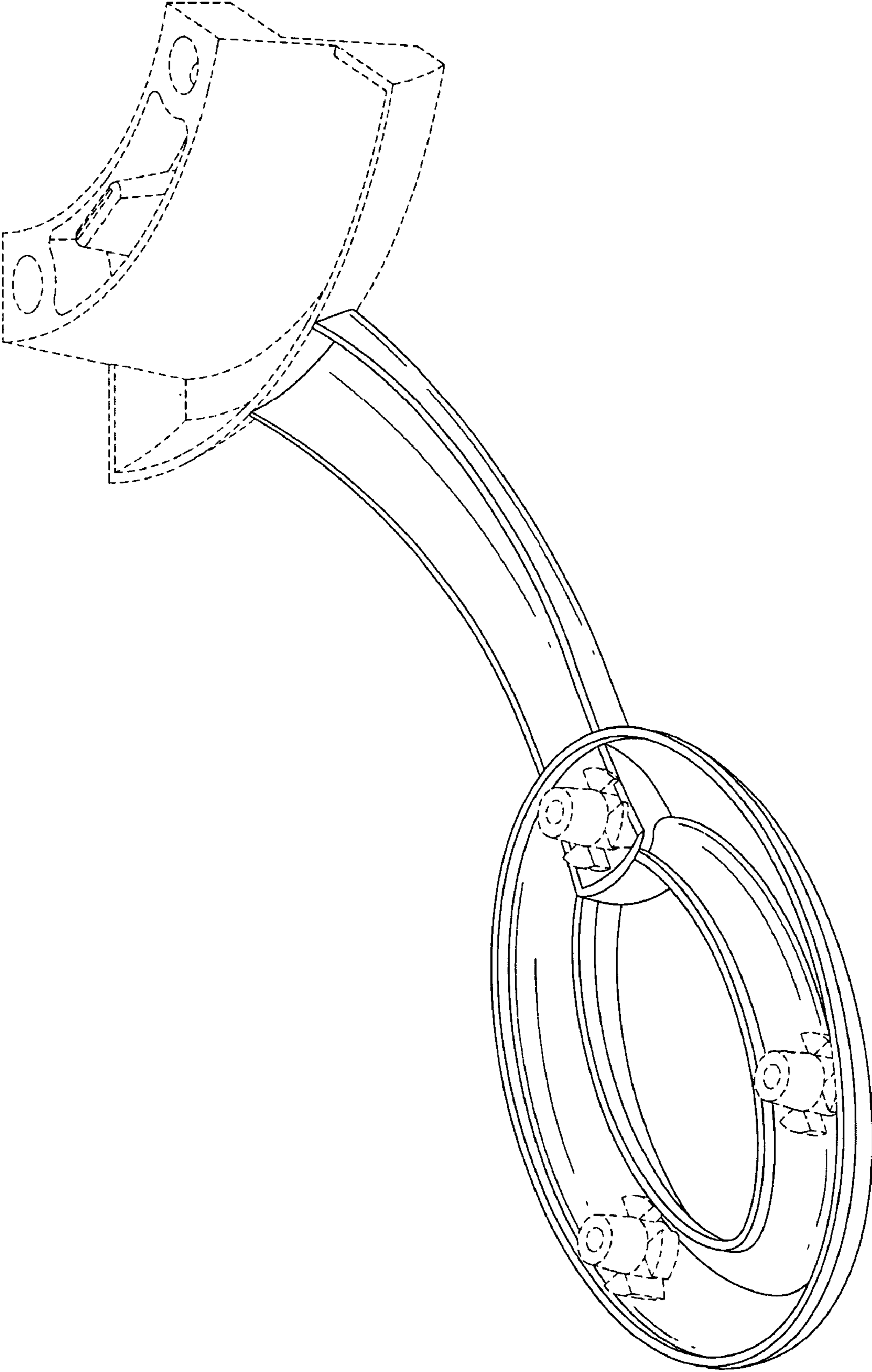


FIG. 1

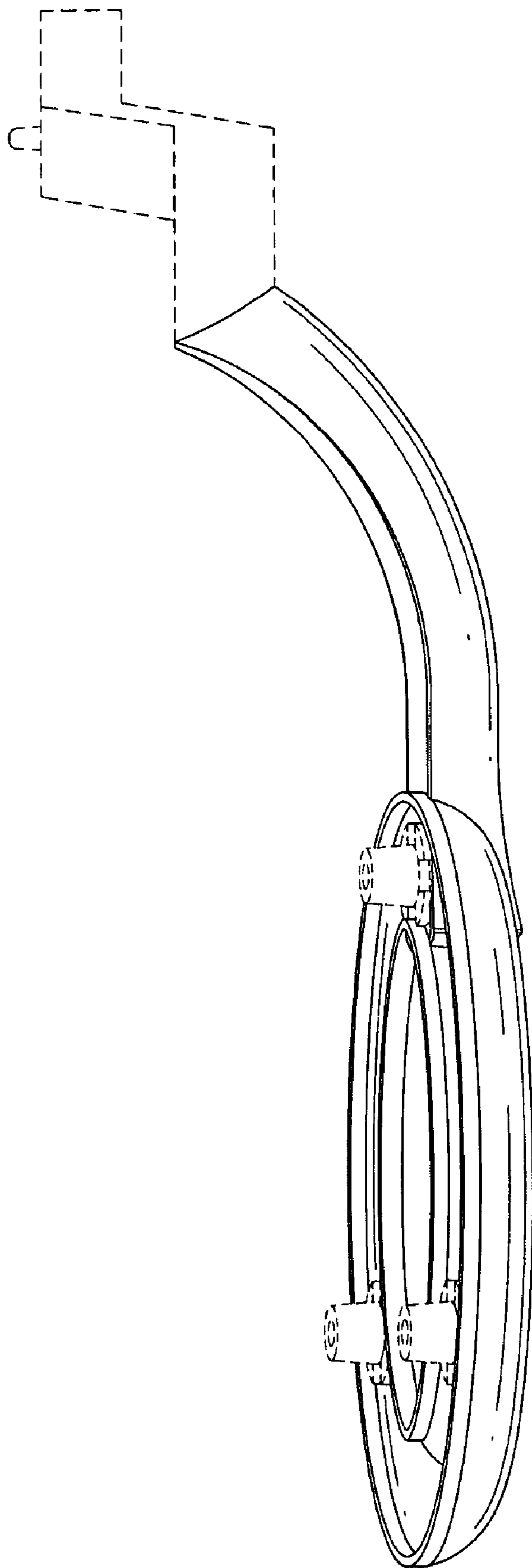


FIG. 2

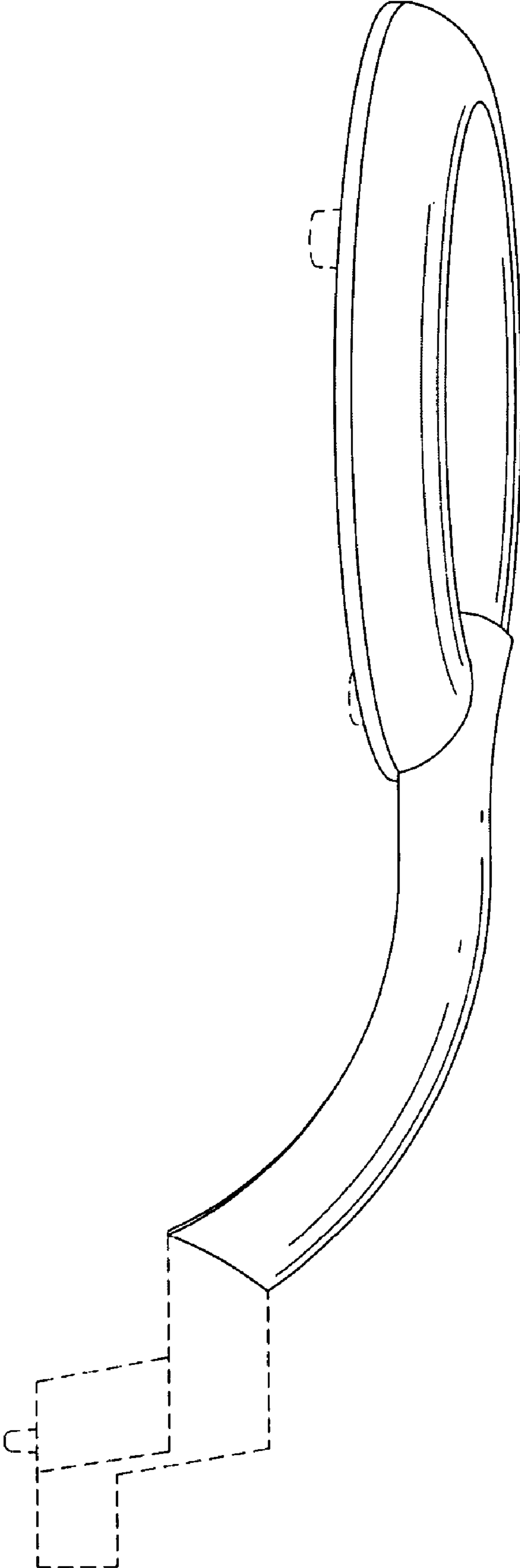


FIG. 3

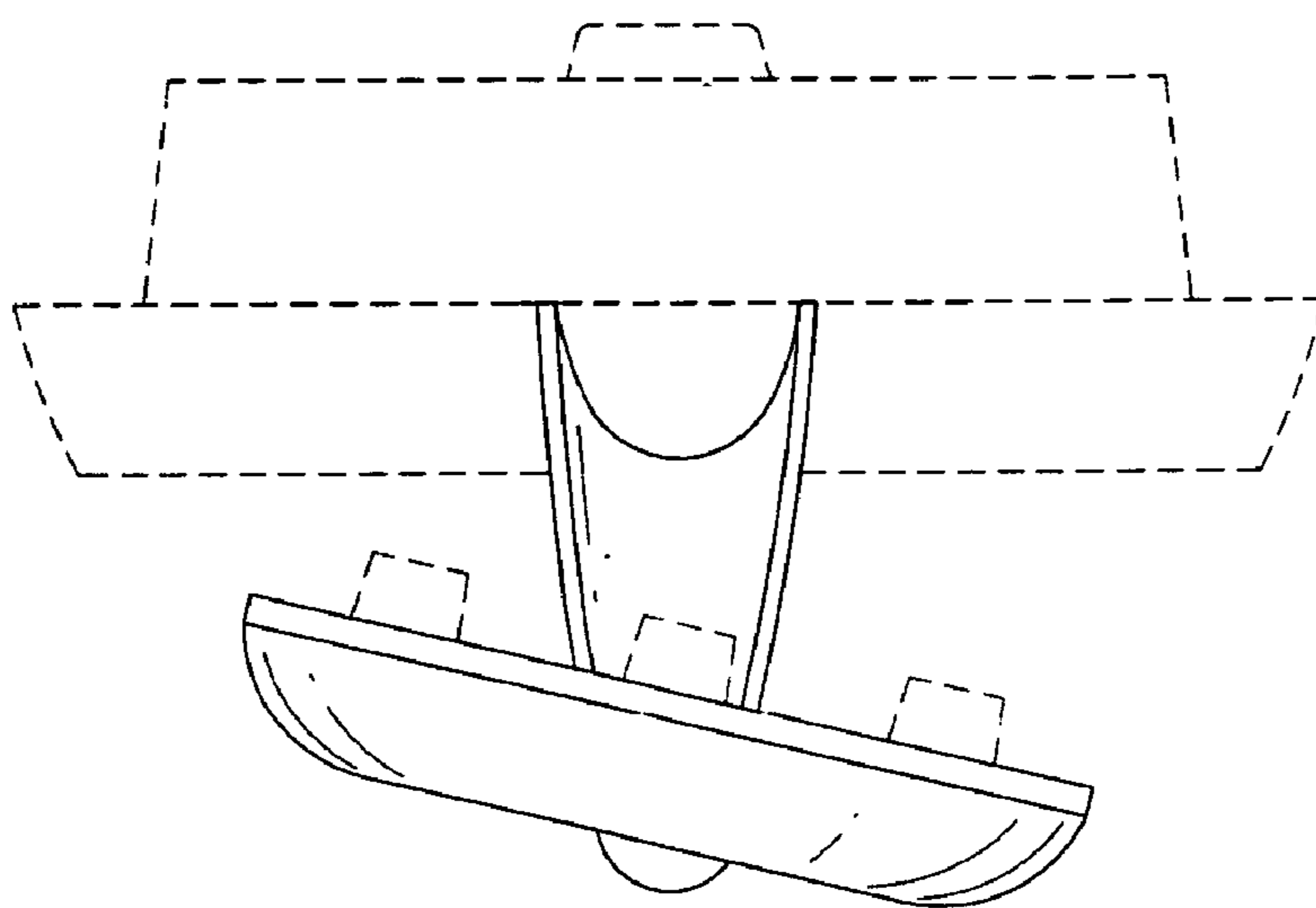


FIG. 4

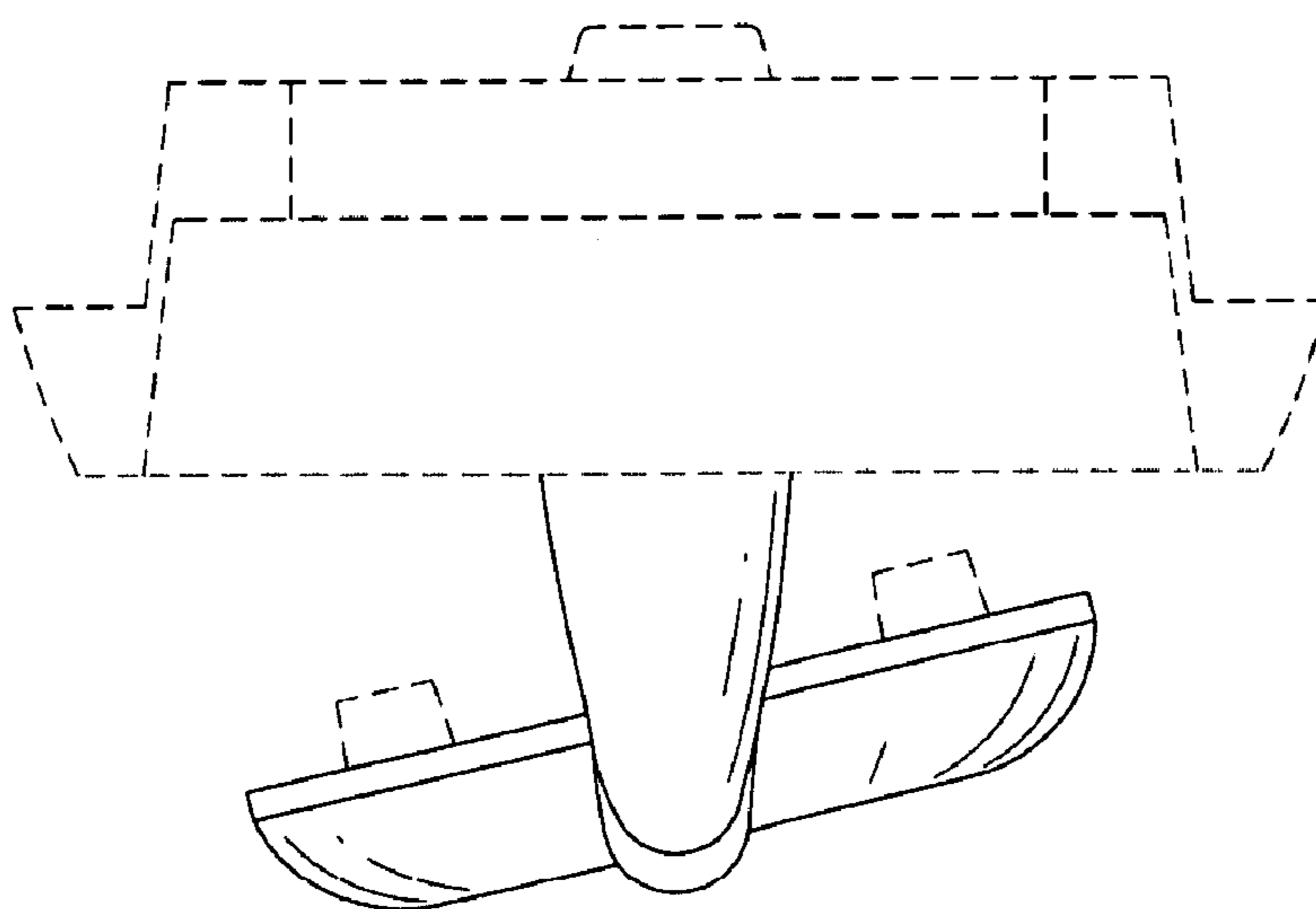


FIG. 5

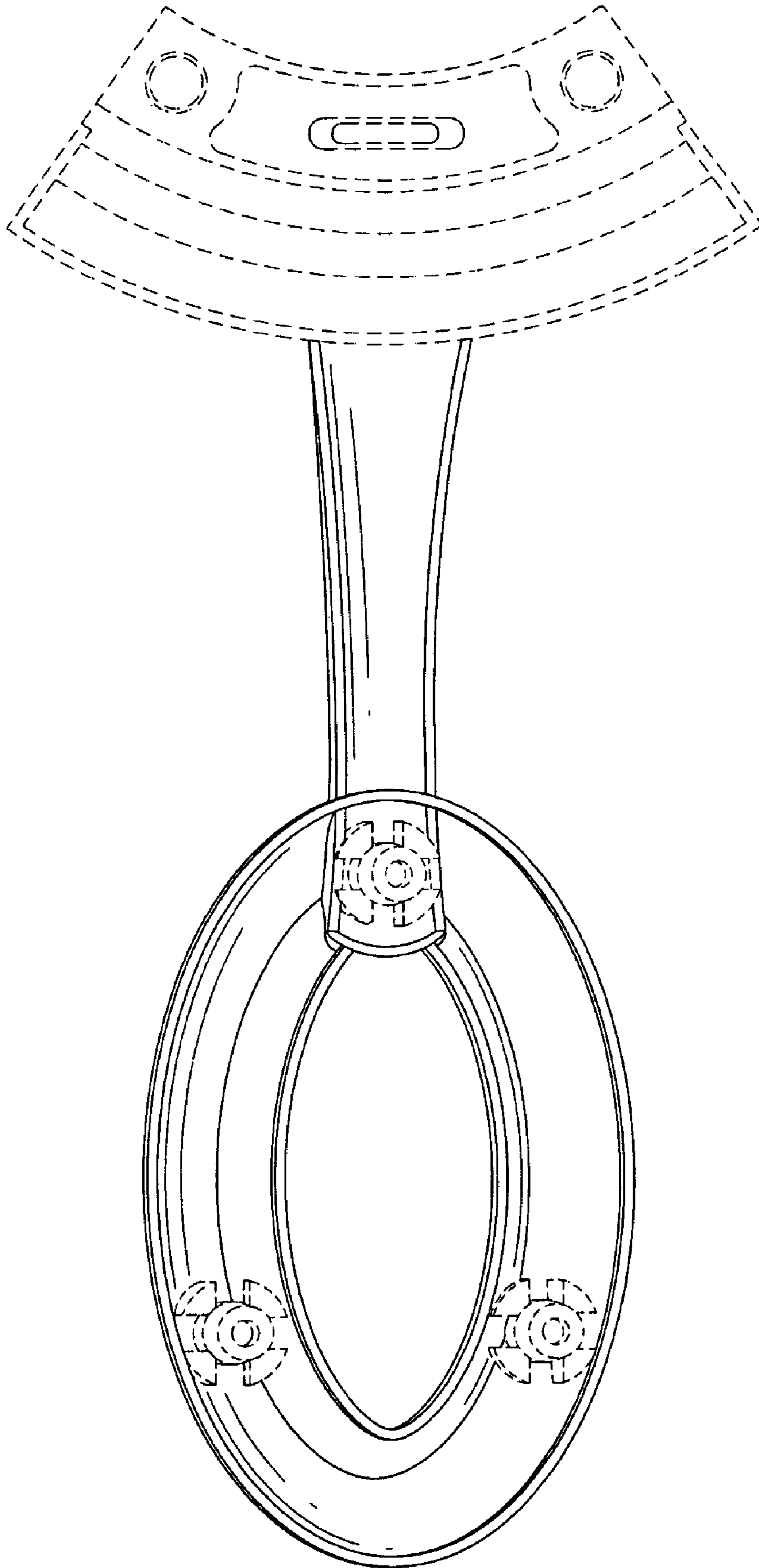


FIG. 6

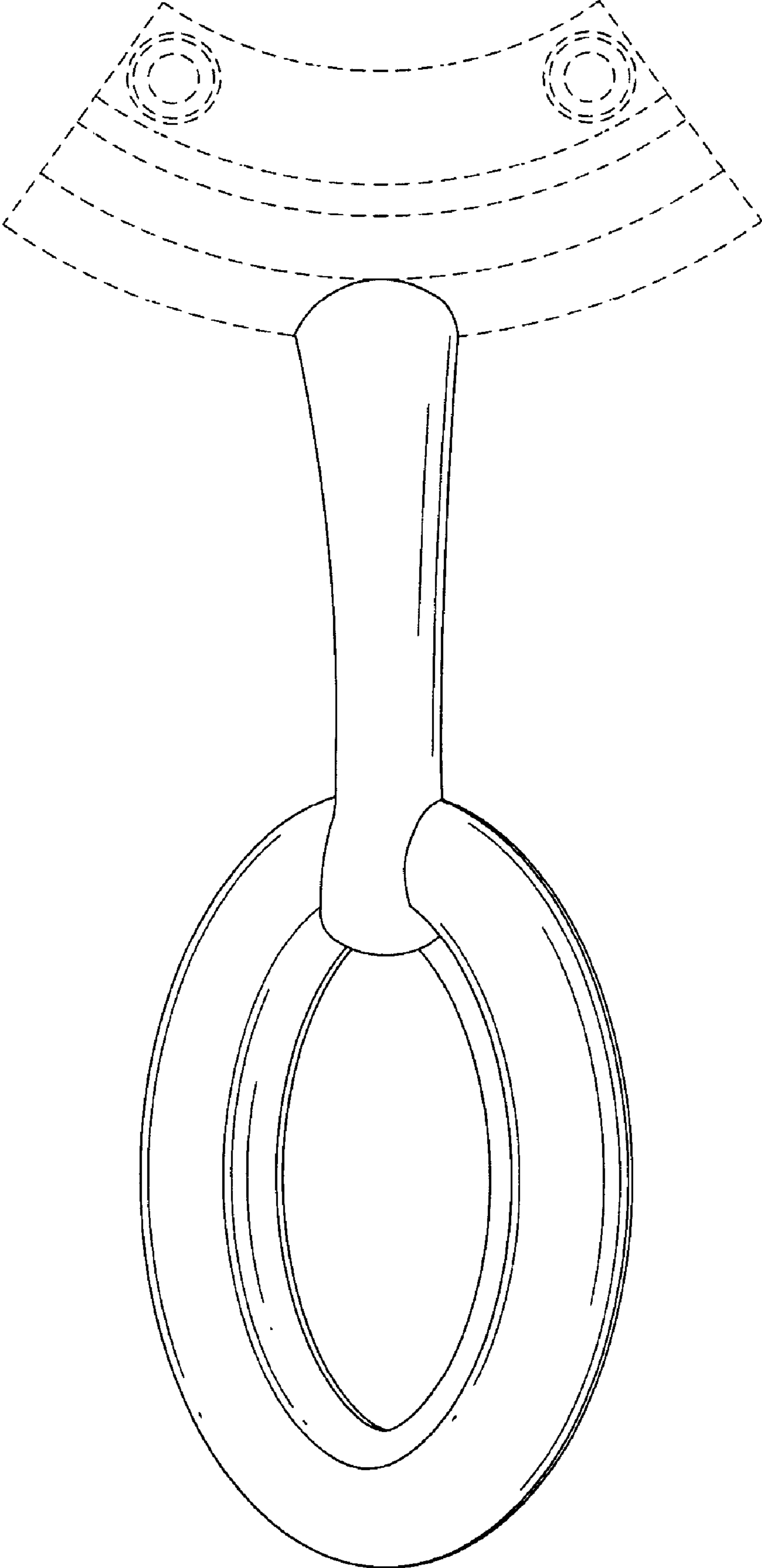


FIG. 7