



US00D595403S

(12) **United States Design Patent**
Hidalgo

(10) **Patent No.:** **US D595,403 S**

(45) **Date of Patent:** **** Jun. 30, 2009**

(54) **CEILING FAN HOUSING**

(75) Inventor: **Rolando Hidalgo**, Yorba Linda, CA (US)

(73) Assignee: **Minka Lighting, Inc.**, Corona, CA (US)

(**) Term: **14 Years**

(21) Appl. No.: **29/323,311**

(22) Filed: **Aug. 22, 2008**

(51) **LOC (9) Cl.** **23-04**

(52) **U.S. Cl.** **D23/411**

(58) **Field of Classification Search** D23/377,
D23/379, 385, 411, 413; 416/5

See application file for complete search history.

(56) **References Cited**

U.S. PATENT DOCUMENTS

D271,330 S	11/1983	Yung	
D328,638 S	8/1992	Hsieh	
D392,033 S	3/1998	Jaspers-Fayer	
D396,101 S	7/1998	Jaspers-Fayer	
D453,218 S	1/2002	Hidalgo	
D453,826 S	2/2002	Hidalgo	
D454,630 S	3/2002	Hidalgo	
D457,235 S	5/2002	Hidalgo	
D470,931 S	2/2003	Hidalgo	
D557,400 S	* 12/2007	Curtin D23/411
D563,543 S	* 3/2008	Pickett D23/411
D567,362 S	* 4/2008	Teiber et al. D23/411

OTHER PUBLICATIONS

MinkaAire 2008 Catalog; Jan. 2008; p. 5; Minka Lighting, Inc.; U.S.A.

Monte Carlo Internet Catalog; Designer Hugger; Model #5DH 52BP; printed from hansenwholesale.com on May 10, 2008.

Craftmade Internet Catalog; Contemporary Flushmount 52; Model #FC52AB; printed from hansenwholesale.com on Jul. 15, 2008.

Emerson Internet Catalog; Contemporary Snugger 52; Model #CF805SBS; printed from hansenwholesale.com on Jul. 15, 2008.

* cited by examiner

Primary Examiner—Lisa P Lichtenstein

(74) *Attorney, Agent, or Firm*—Baker & McKenzie LLP

(57) **CLAIM**

The ornamental design for a ceiling fan housing, as shown and described.

DESCRIPTION

FIG. 1 is a perspective view of the ceiling fan housing showing our new design in use;

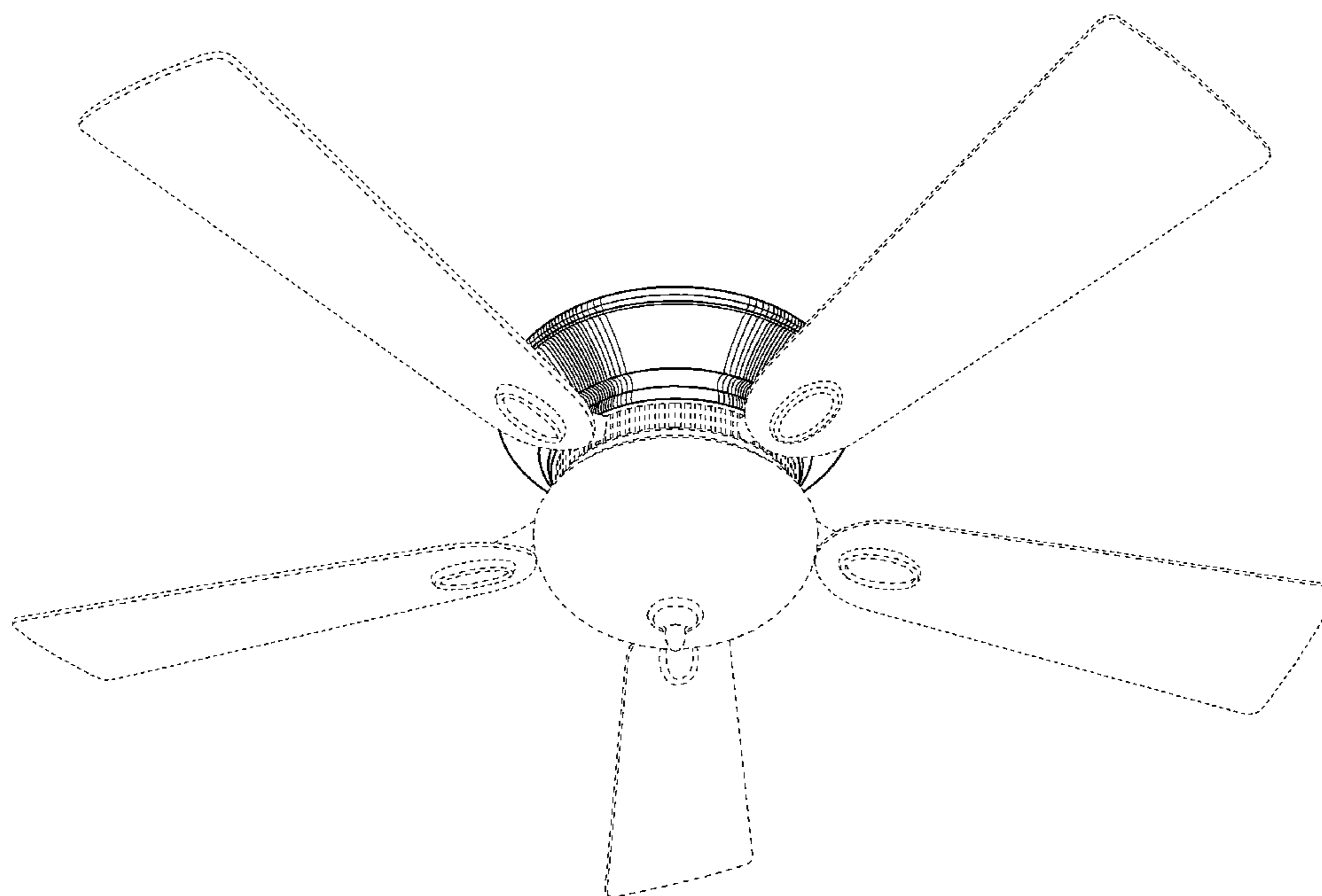
FIG. 2 is an enlarged top plan view of the ceiling fan housing in accordance with my design;

FIG. 3 is an enlarged bottom plan view of the ceiling fan housing in accordance with my design; and,

FIG. 4 is an enlarged side elevation view of the ceiling fan housing in accordance with my design, all sides being a mirror image of that shown.

The broken line showing of the ceiling fan blades, blade irons, support rod and light fixture is included for the purpose of illustrating environmental structure and forms no part of the claimed design.

1 Claim, 4 Drawing Sheets



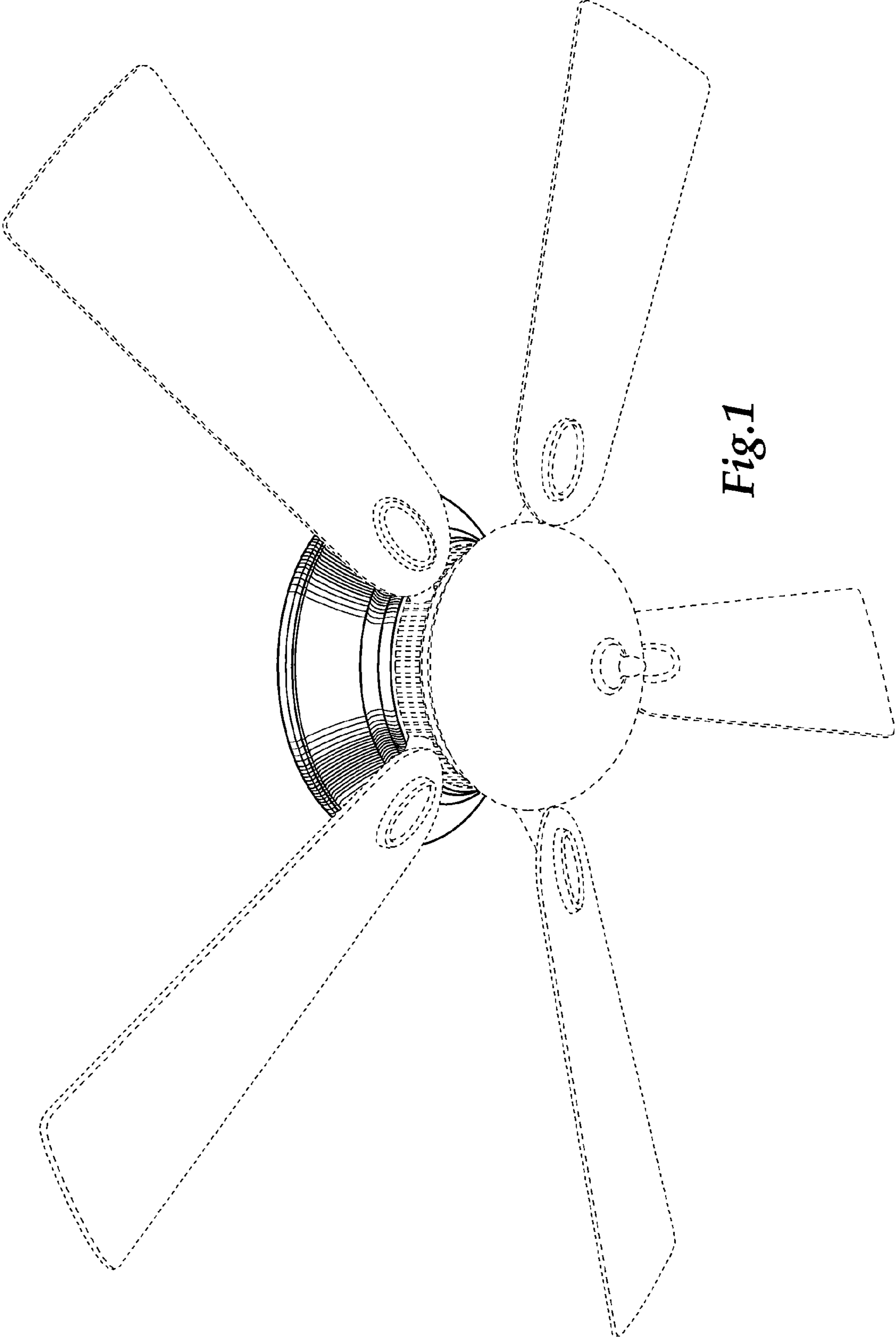


Fig. 1

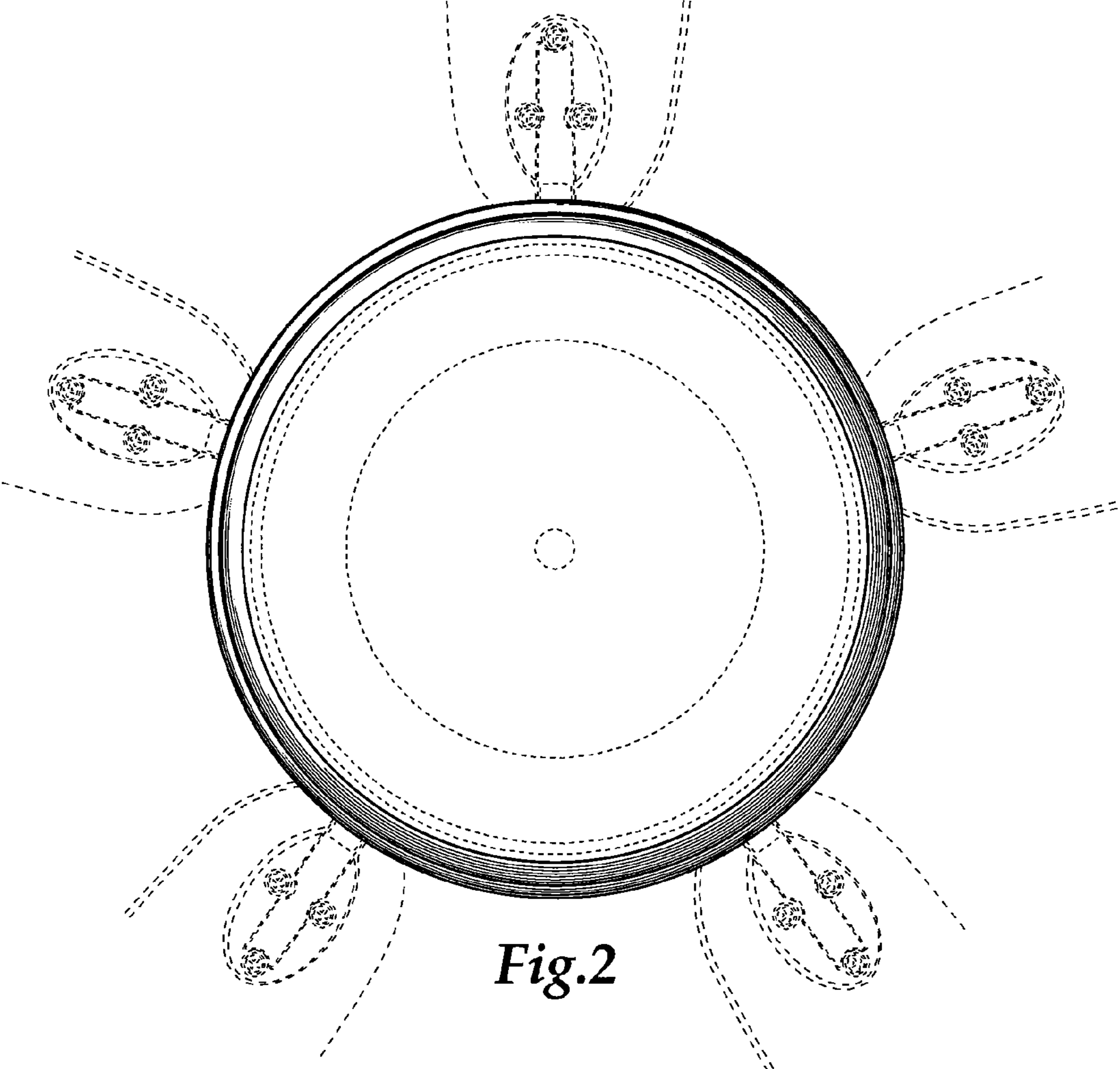
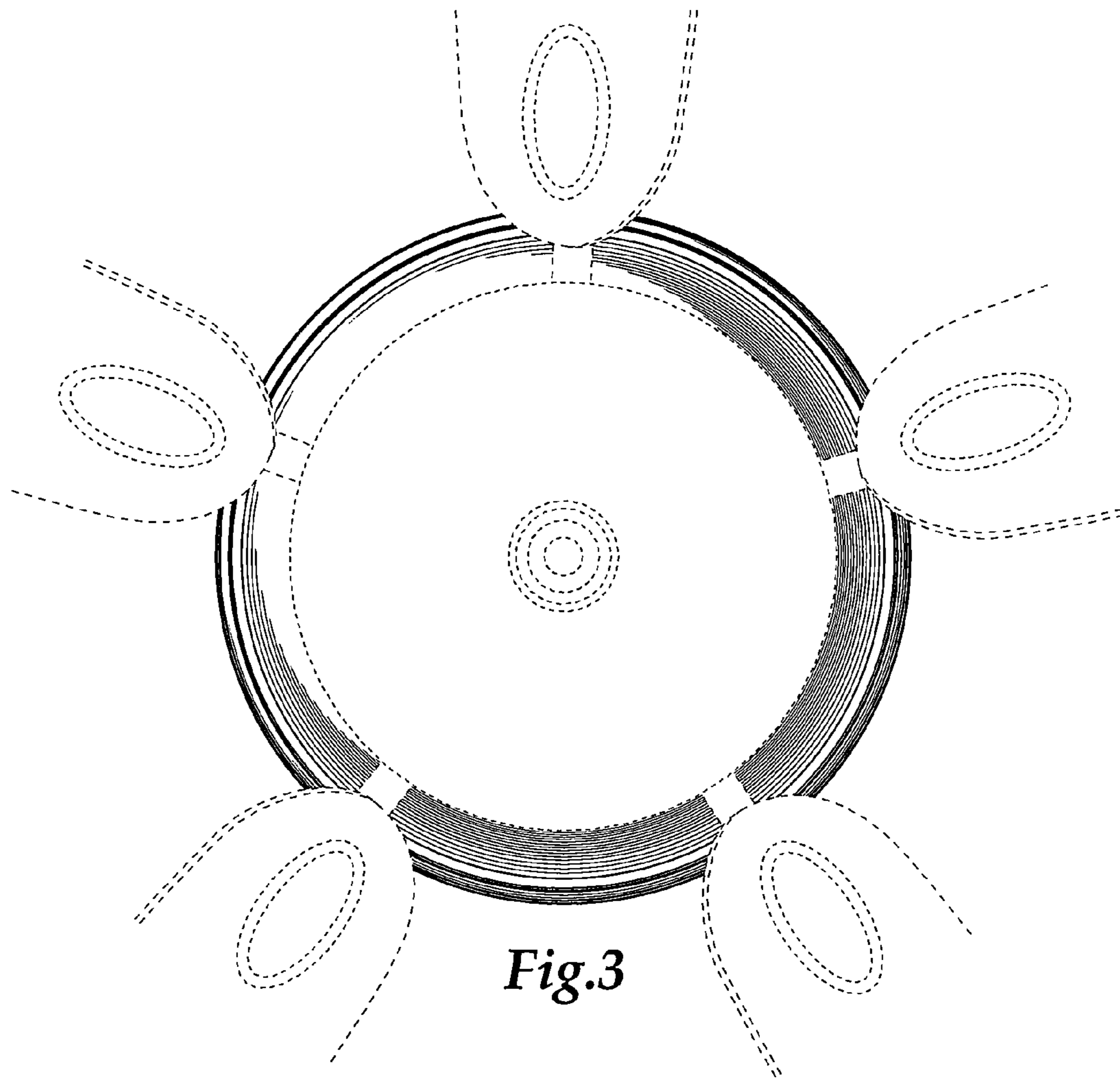


Fig.2



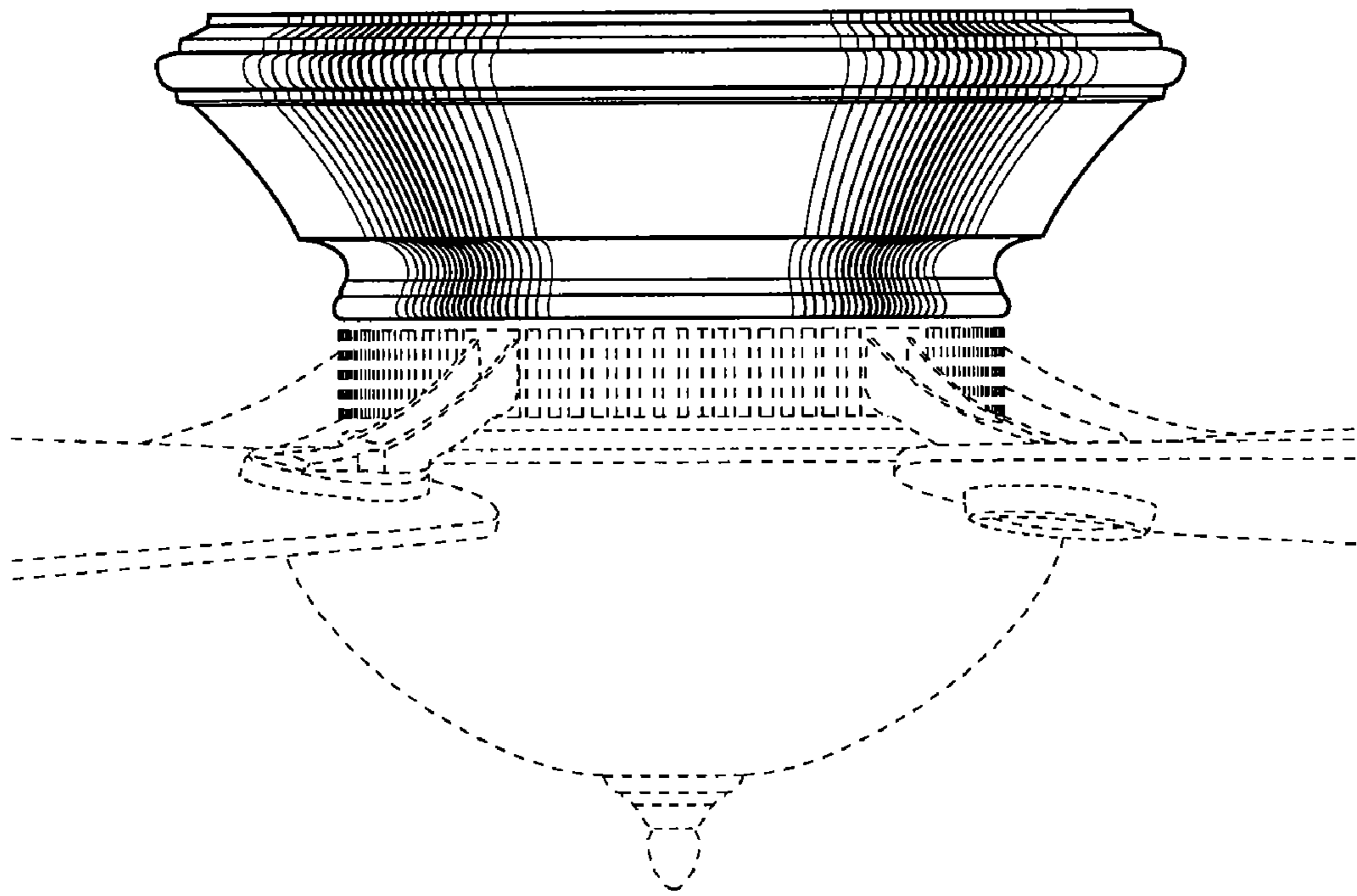


Fig.4