



US00D595402S

(12) **United States Design Patent**
Miyake et al.

(10) **Patent No.:** **US D595,402 S**
(45) **Date of Patent:** **** Jun. 30, 2009**

(54) **VENTILATING FAN FOR A CEILING**

(75) Inventors: **Hiroshi Miyake**, Kadoma (JP);
Nobuyuki Mase, Kadoma (JP)

(73) Assignee: **Panasonic Corporation**, Osaka (JP)

(**) Term: **14 Years**

(21) Appl. No.: **29/304,154**

(22) Filed: **Feb. 26, 2008**

(30) **Foreign Application Priority Data**

Feb. 4, 2008 (JP) 2008-002331

(51) **LOC (9) Cl.** **23-04**

(52) **U.S. Cl.** **D23/385**

(58) **Field of Classification Search** D23/385,
D23/371, 370; 454/349, 354; D26/59, 72,
D26/51, 81-88

See application file for complete search history.

(56) **References Cited**

U.S. PATENT DOCUMENTS

D416,315 S 11/1999 Nanjo
D448,462 S 9/2001 Nanjo
D543,270 S * 5/2007 Miura et al. D23/385
D577,431 S * 9/2008 Miyake et al. D23/385

FOREIGN PATENT DOCUMENTS

JP D789418 6/1990
JP D821122 10/1991
JP D871759 7/1993

JP D981234 5/1997
JP D1002574 2/1998
JP D1060385 2/2000
JP D1091355 11/2000
JP D1092515 12/2000

OTHER PUBLICATIONS

JPO Design Prior Art No. HC15021796, "2005 General catalog for Mitsubishi ventilators, 2003 version for architectures and constructors", Jun. 13, 2003.

* cited by examiner

Primary Examiner—Lisa P Lichtenstein

(74) *Attorney, Agent, or Firm*—Brinks Hofer Gilson & Lione

(57) **CLAIM**

The ornamental design for a ventilating fan for a ceiling, as shown and described.

DESCRIPTION

FIG. 1 is a front perspective view of a ventilating fan for a ceiling of the present invention;

FIG. 2 is a front view thereof;

FIG. 3 is a top view thereof;

FIG. 4 is a bottom view thereof;

FIG. 5 is a first side view thereof;

FIG. 6 is a second side view thereof; and,

FIG. 7 is a rear view thereof.

The broken line showing of the body of the ceiling ventilating fan is included for the purpose of illustrating environmental structure and forms no part of the claimed design.

1 Claim, 3 Drawing Sheets

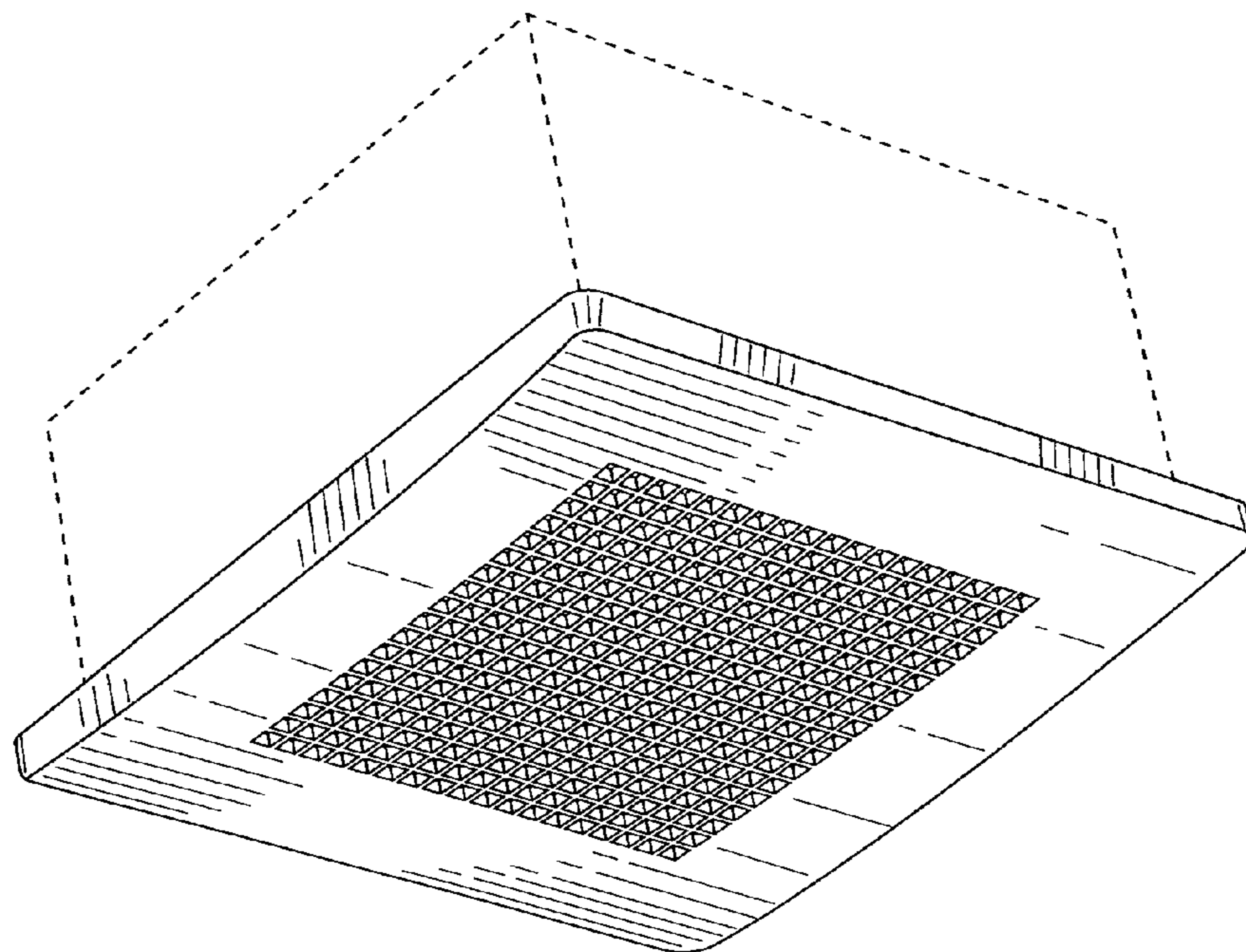


FIG.1

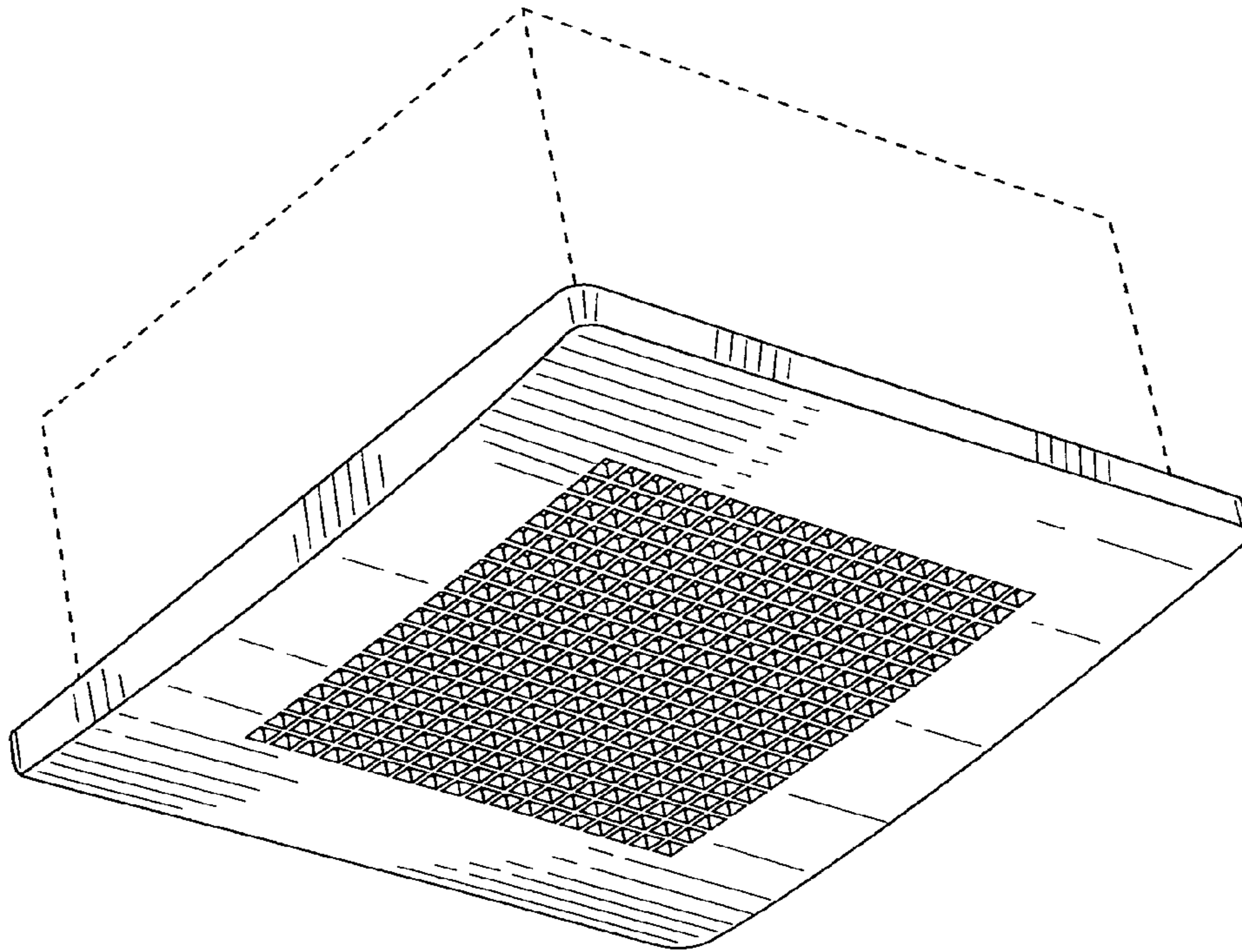


FIG.2

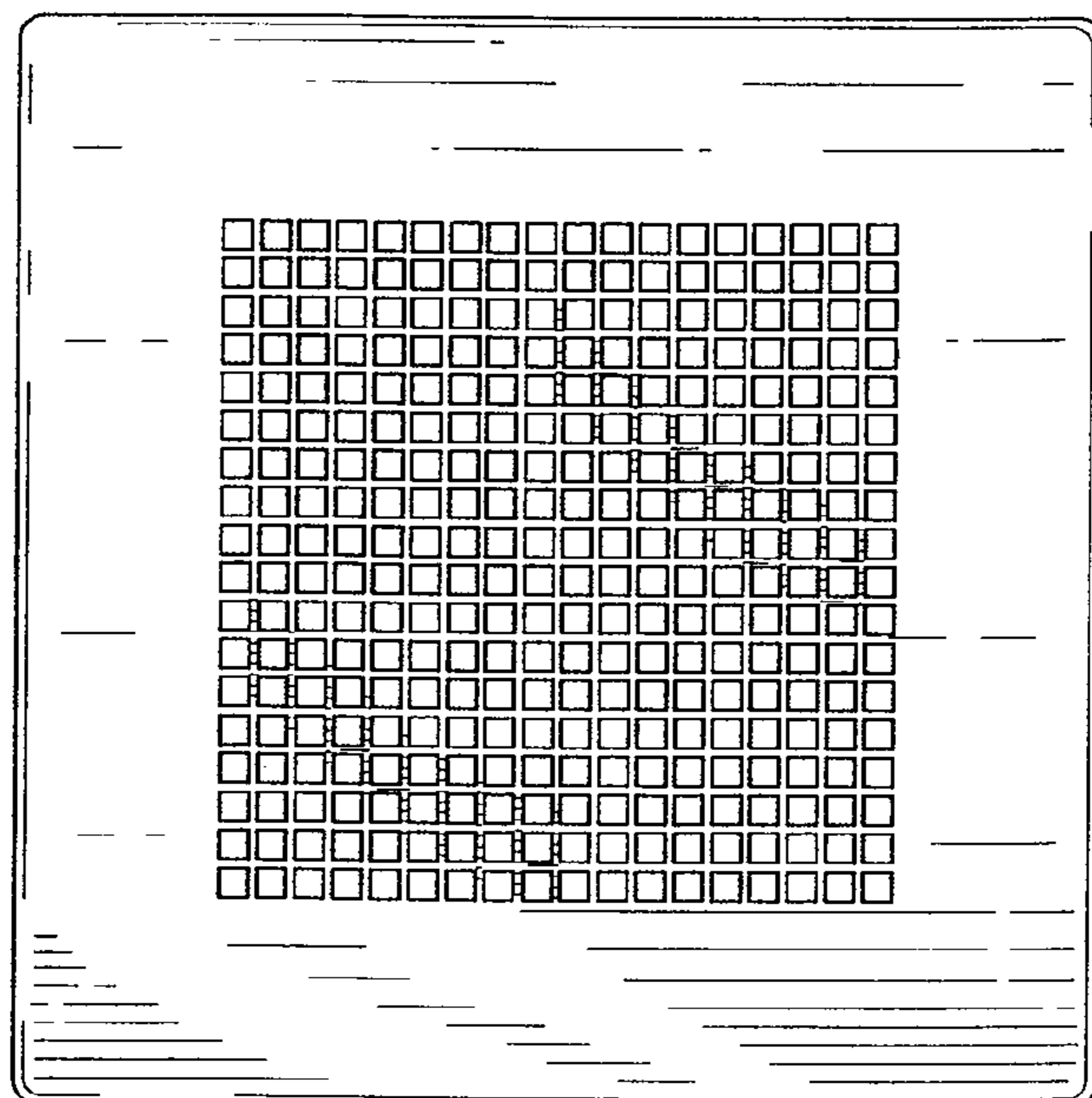


FIG.3

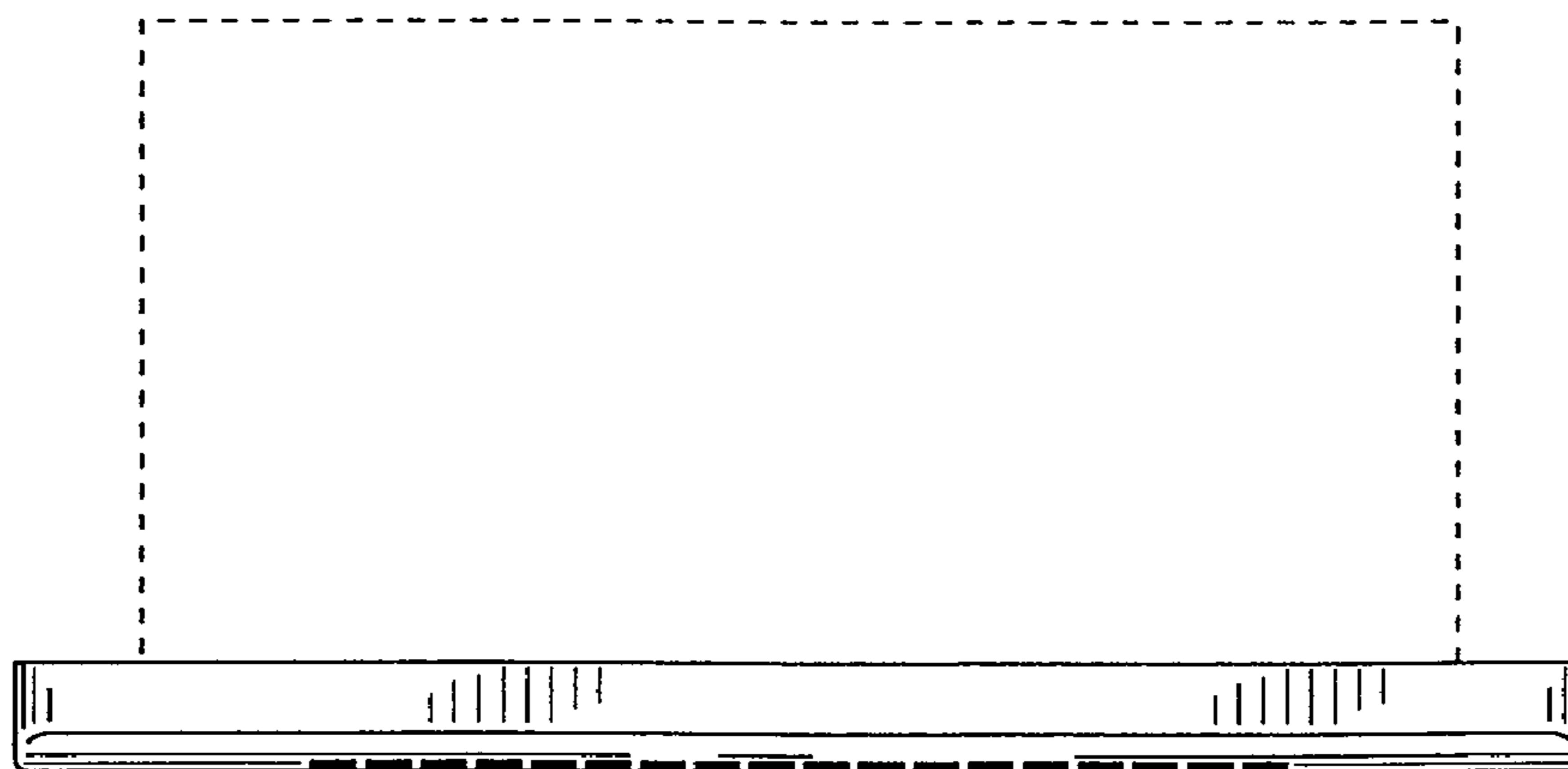


FIG.4

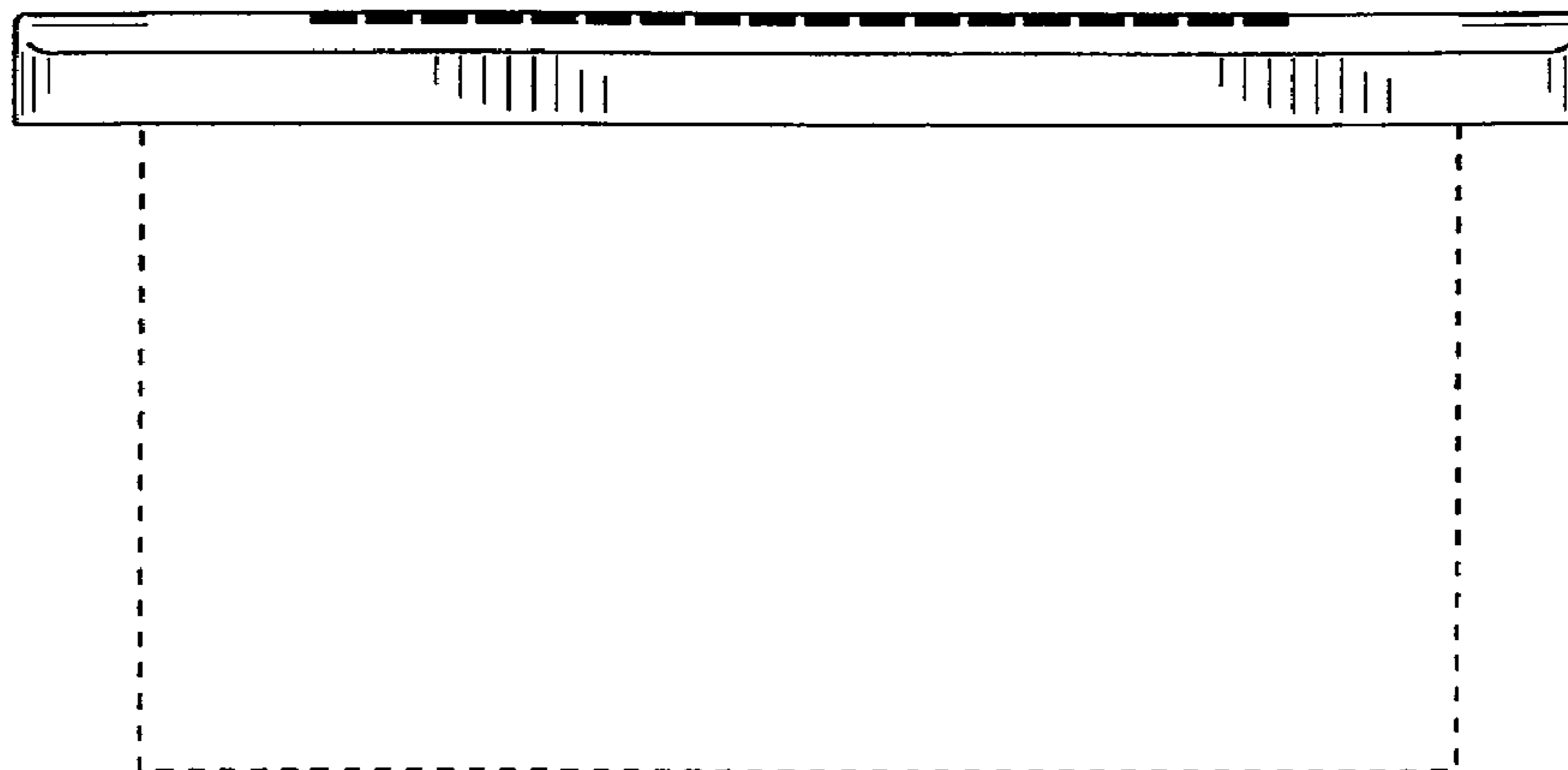


FIG.5

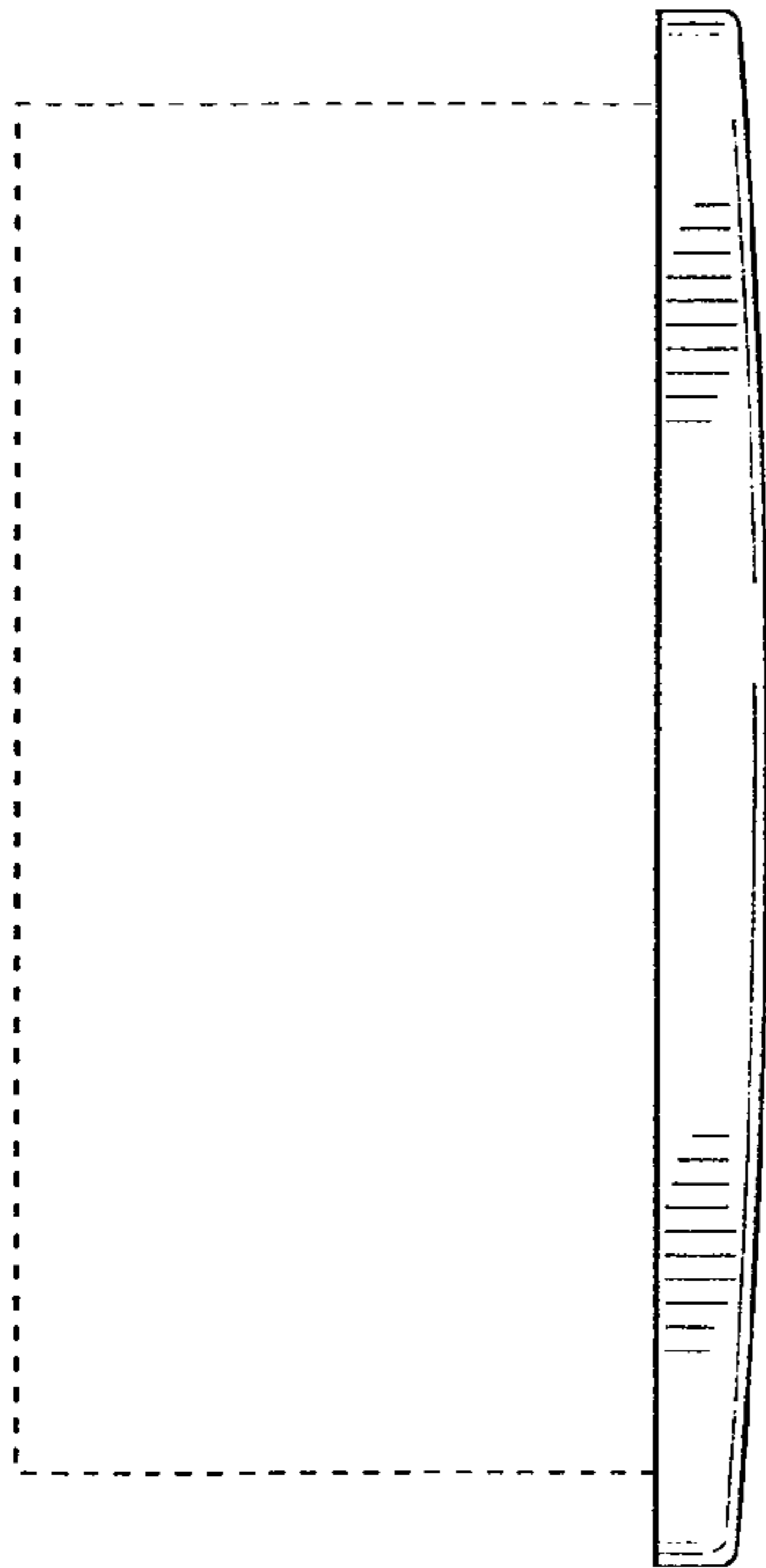


FIG.6

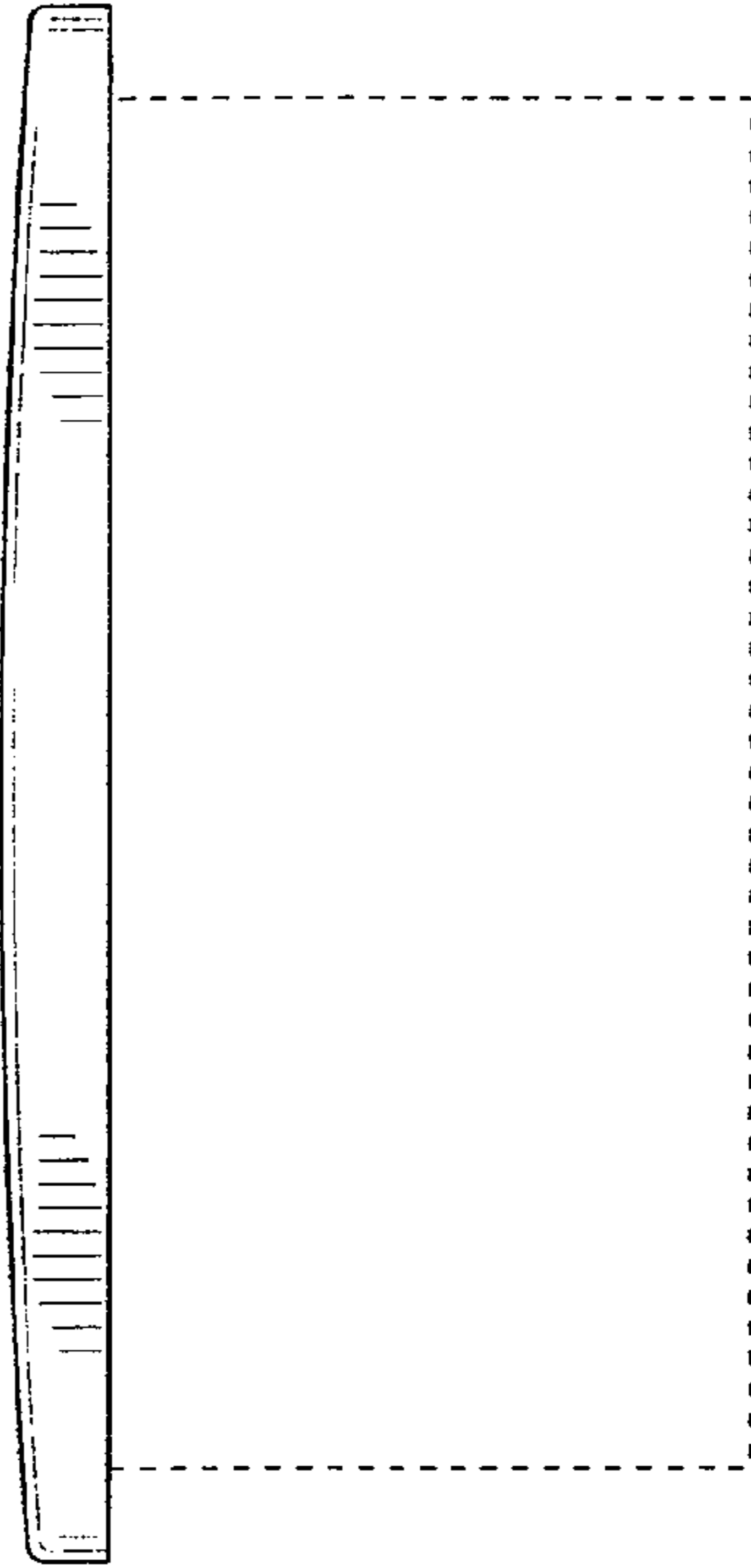


FIG.7

