



US00D595400S

(12) **United States Design Patent**  
**Young**

(10) **Patent No.:** **US D595,400 S**  
(45) **Date of Patent:** **\*\* Jun. 30, 2009**

(54) **CEILING FAN**

(75) Inventor: **Stanfield Young**, Los Alamitos, CA (US)

(73) Assignee: **Minka Lighting, Inc.**, Corona, CA (US)

(\*\*) Term: **14 Years**

(21) Appl. No.: **29/306,977**

(22) Filed: **Apr. 21, 2008**

(51) **LOC (9) Cl.** ..... **23-04**

(52) **U.S. Cl.** ..... **D23/377**

(58) **Field of Classification Search** ..... D23/377,  
D23/379, 385, 411, 413; 416/5

See application file for complete search history.

(56) **References Cited**

**U.S. PATENT DOCUMENTS**

- D421,797 S \* 3/2000 Collmar ..... D23/377
- D549,315 S \* 8/2007 Gajewski ..... D23/377
- D561,326 S \* 2/2008 Gajewski ..... D23/377

**OTHER PUBLICATIONS**

- Matthews Fan Co.; Brisa 2000; Model #B2K-CR-WD-STD; printed from hansenwholesale.com on May 13, 2008.
- MinkaAire Internet Catalog; Cirque; Model #20536; printed from hansenwholesale.com on May 10, 2008.
- MinkaAire Internet Catalog; Ensemble 20; Model #F816-1-BN; printed from lightology.com on May 13, 2008.
- Matthews Fan Co.; Vent Bettina; Model #VB-CR-MTL-STD; printed from hansenwholesale.com on May 13, 2008.
- Hunter Internet Catalog; Hunter Fan Orbit; Model #28421; printed from hansenwholesale.com on Aug. 14, 2008.

Modern Fan Co.; Stratos; Model #STRBA52ALNLNC; printed from hansenwholesale.com on Aug. 21, 2008.

\* cited by examiner

*Primary Examiner*—Lisa P Lichtenstein

(74) *Attorney, Agent, or Firm*—Baker & McKenzie LLP

(57) **CLAIM**

The ornamental design for a ceiling fan, as shown and described.

**DESCRIPTION**

FIG. 1 is a bottom perspective view of a ceiling fan in accordance with my design;

FIG. 2 is a reduced top plan view of the ceiling fan in accordance with my design;

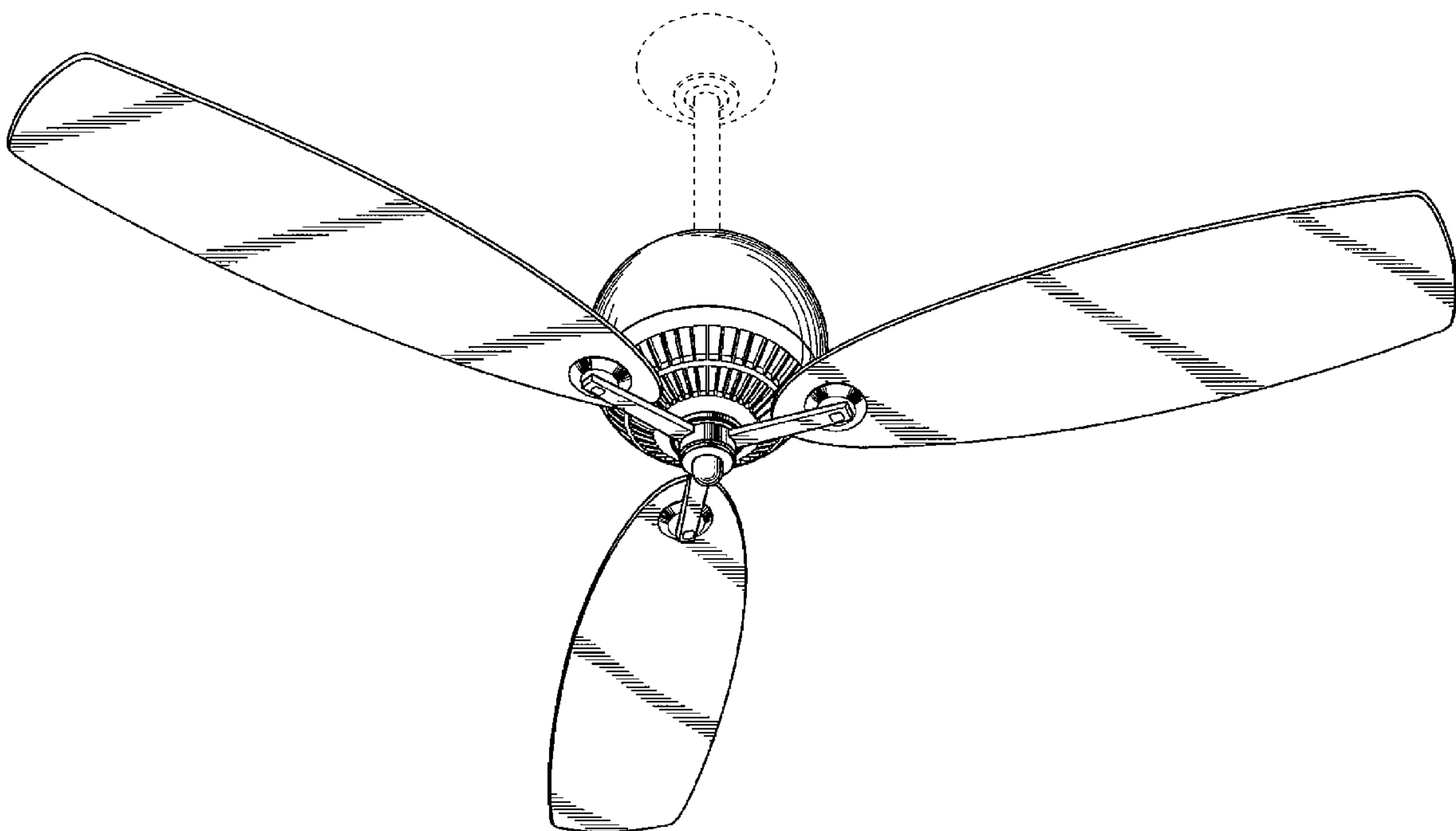
FIG. 3 is a reduced bottom plan view of the ceiling fan in accordance with my design;

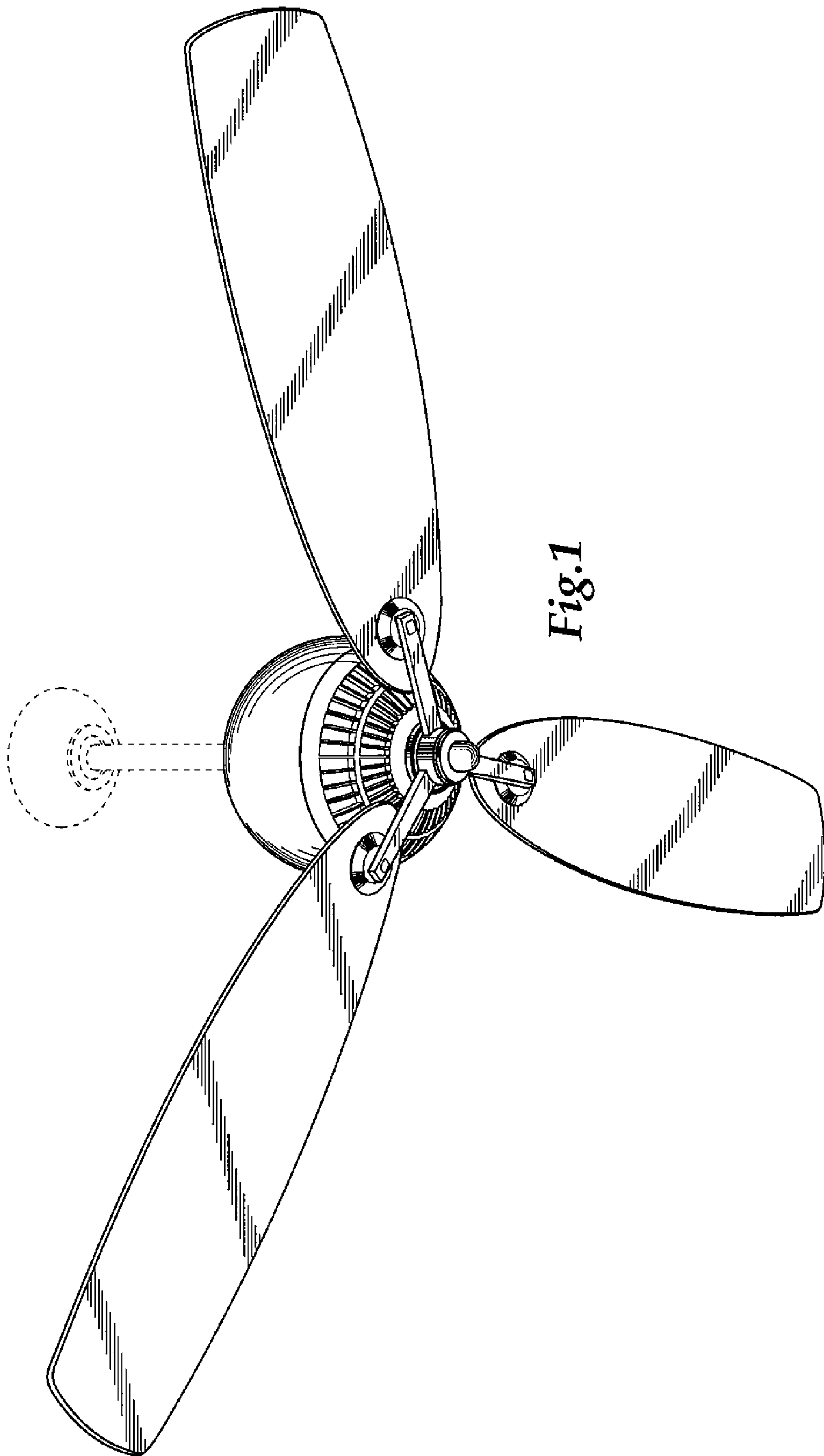
FIG. 4 is an enlarged front elevation view of the ceiling fan in accordance with my design, the opposite side view being a mirror image of that shown except for the position of the fan blades; and,

FIG. 5 is an enlarged side elevation view of the ceiling fan in accordance with my design, the opposite side view being a mirror image of that shown except for the position of the fan blades.

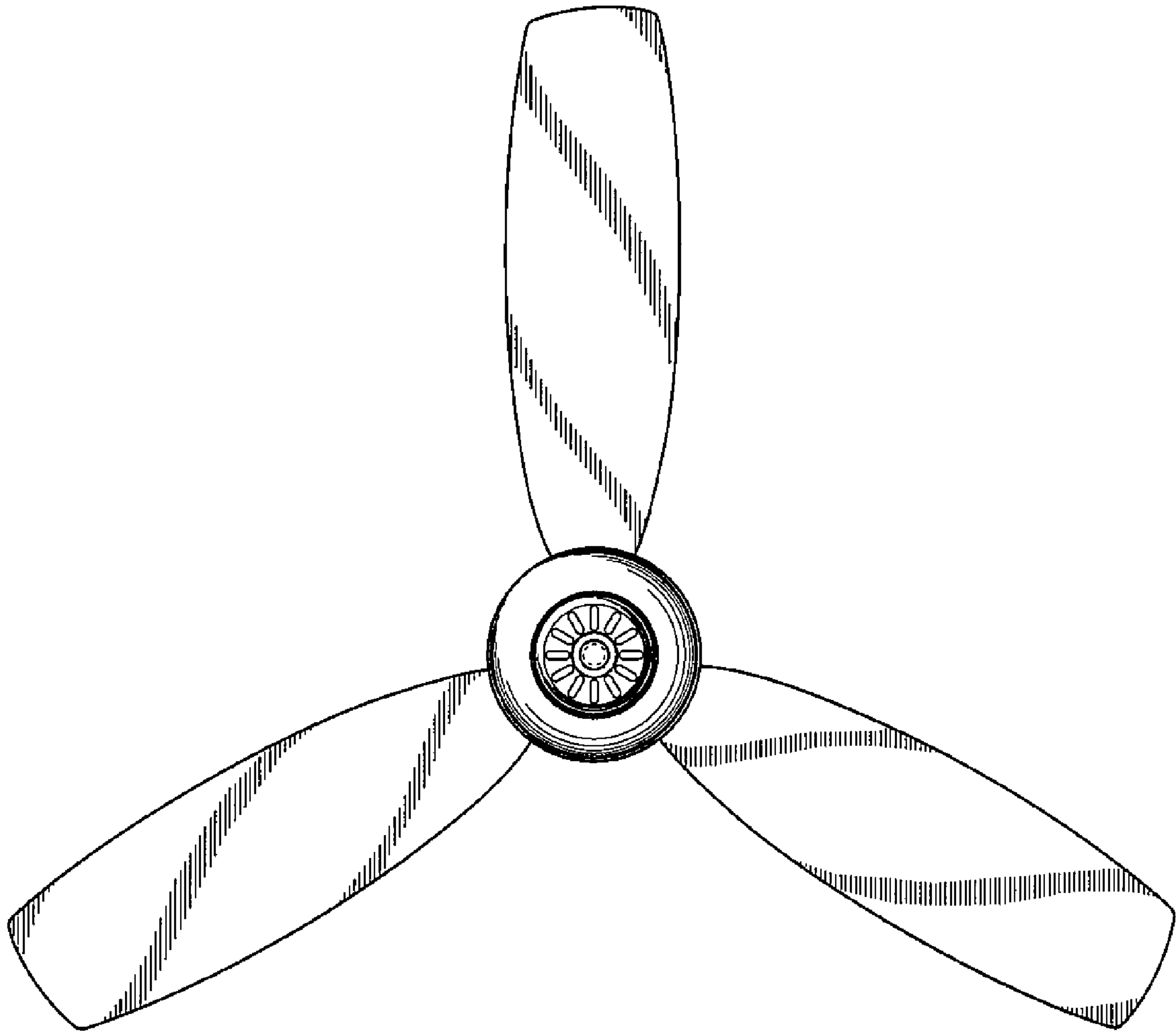
The broken line showing of the canopy and support rod is included for the purpose of illustrating environmental structure and forms no part of the claimed design.

**1 Claim, 5 Drawing Sheets**

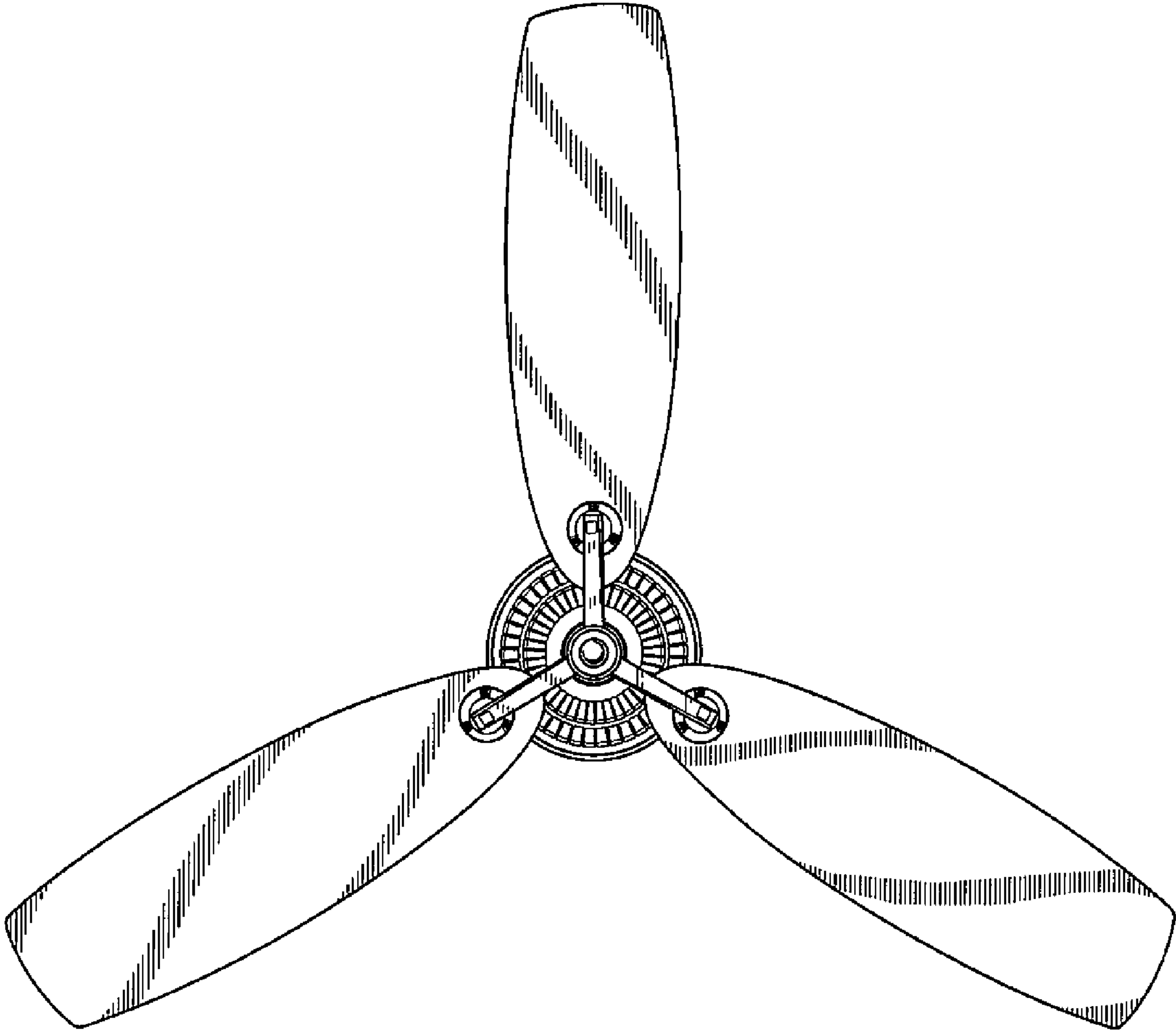




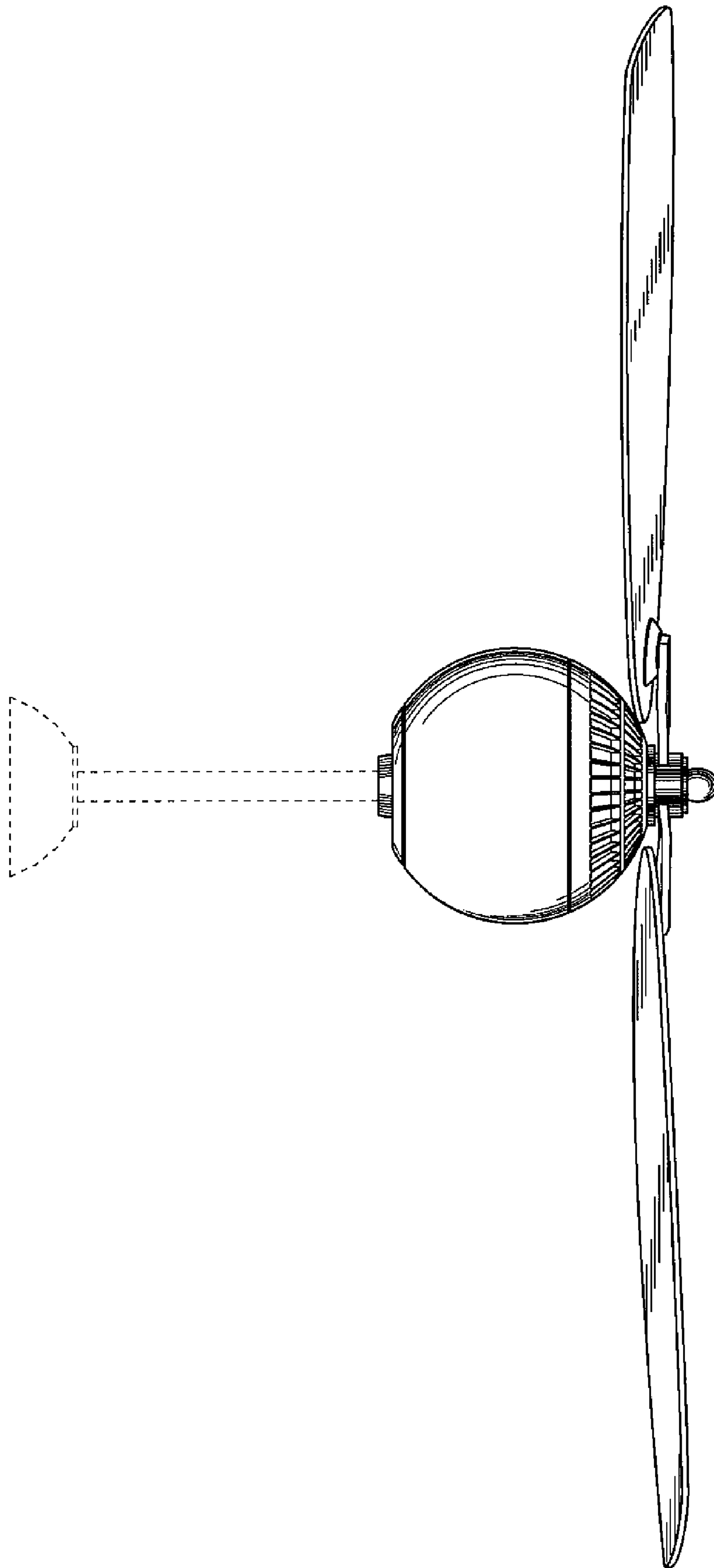
*Fig. 1*



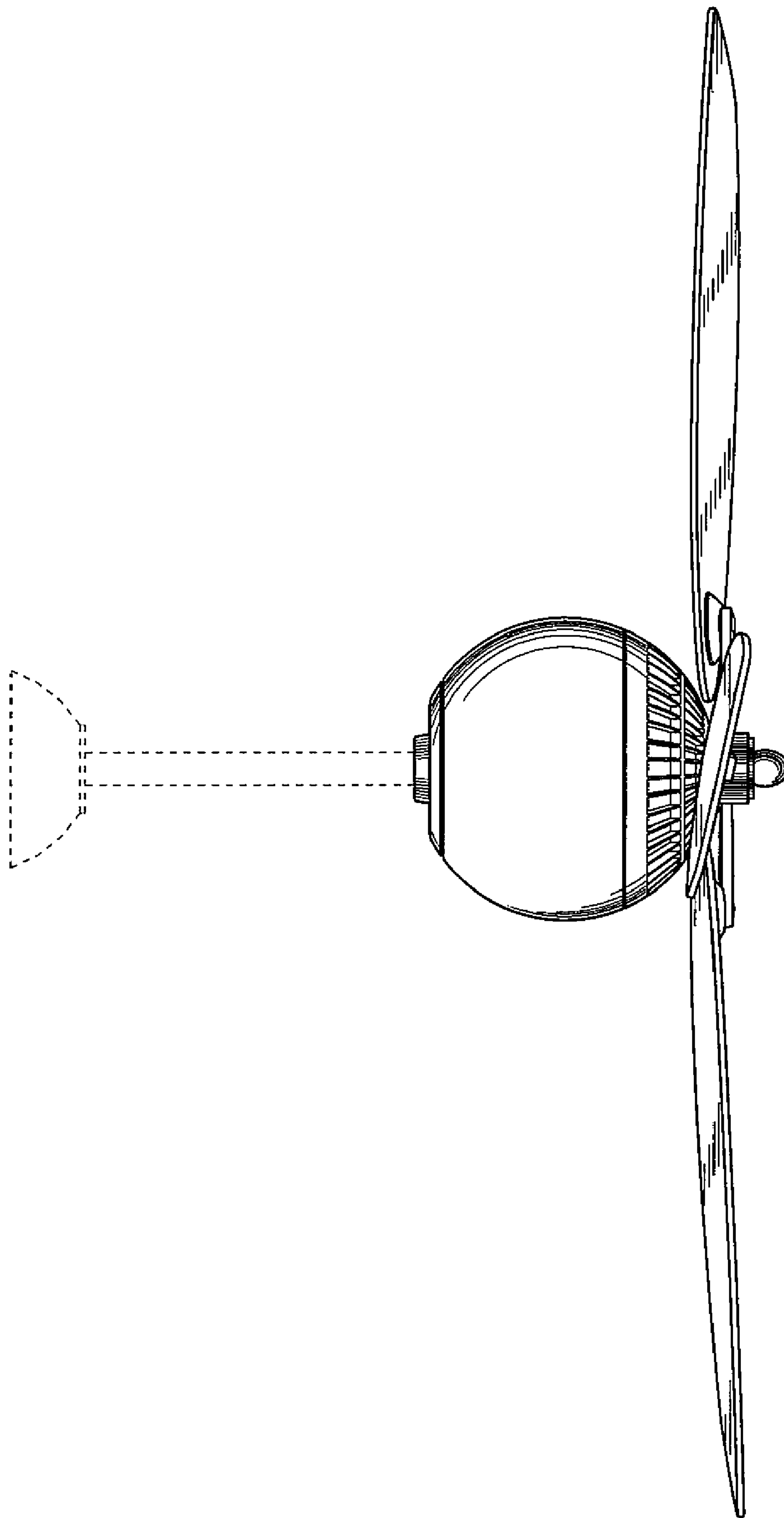
*Fig.2*



*Fig.3*



*Fig. 4*



*Fig. 5*