



US00D595399S

(12) **United States Design Patent**
Chen

(10) **Patent No.:** **US D595,399 S**

(45) **Date of Patent:** **** Jun. 30, 2009**

(54) **HEAT DISSIPATING FAN**

D481,451 S * 10/2003 Luo D23/377
D481,452 S * 10/2003 Luo D23/377

(75) Inventor: **Wei-Hau Chen**, Taishan Shiang (TW)

* cited by examiner

(73) Assignee: **Comptake Technology Inc.**, Taipei (TW)

Primary Examiner—Lisa P Lichtenstein

(**) Term: **14 Years**

(57) **CLAIM**

(21) Appl. No.: **29/333,588**

The ornamental design for a heat dissipating fan, as shown and described.

(22) Filed: **Mar. 12, 2009**

DESCRIPTION

(51) **LOC (9) Cl.** **23-04**

FIG. 1 is a perspective view of a heat dissipating fan showing my new design;

(52) **U.S. Cl.** **D23/370**

FIG. 2 is a front view thereof;

(58) **Field of Classification Search** D23/381,
D23/370, 411; 415/176, 177; 361/697, 695;
D14/439

FIG. 3 is a rear view thereof;

FIG. 4 is a left side view thereof;

See application file for complete search history.

FIG. 5 is a right side view thereof;

FIG. 6 is a top view thereof; and,

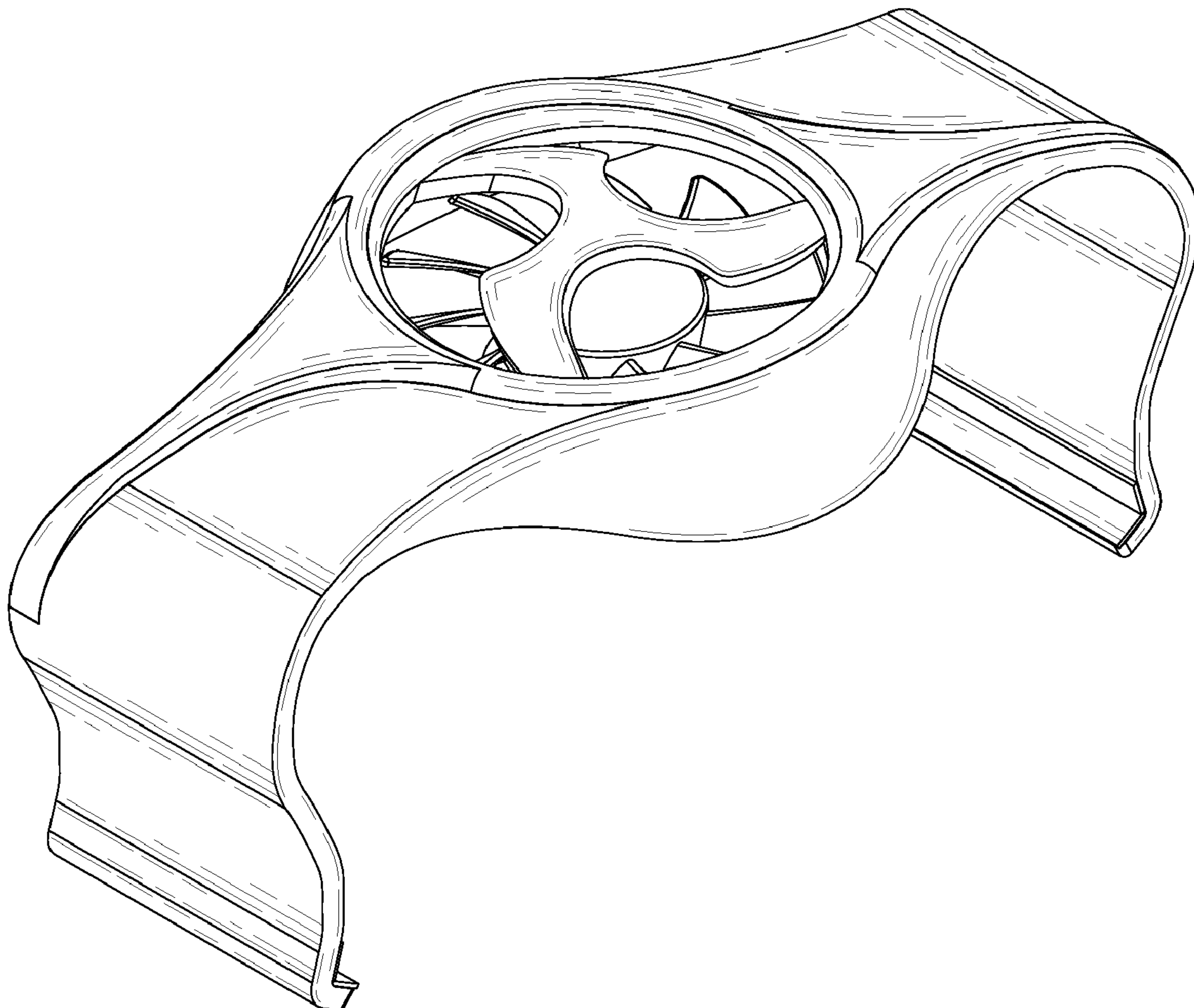
FIG. 7 is a bottom view thereof.

(56) **References Cited**

U.S. PATENT DOCUMENTS

D403,755 S * 1/1999 Liang D23/370

1 Claim, 4 Drawing Sheets



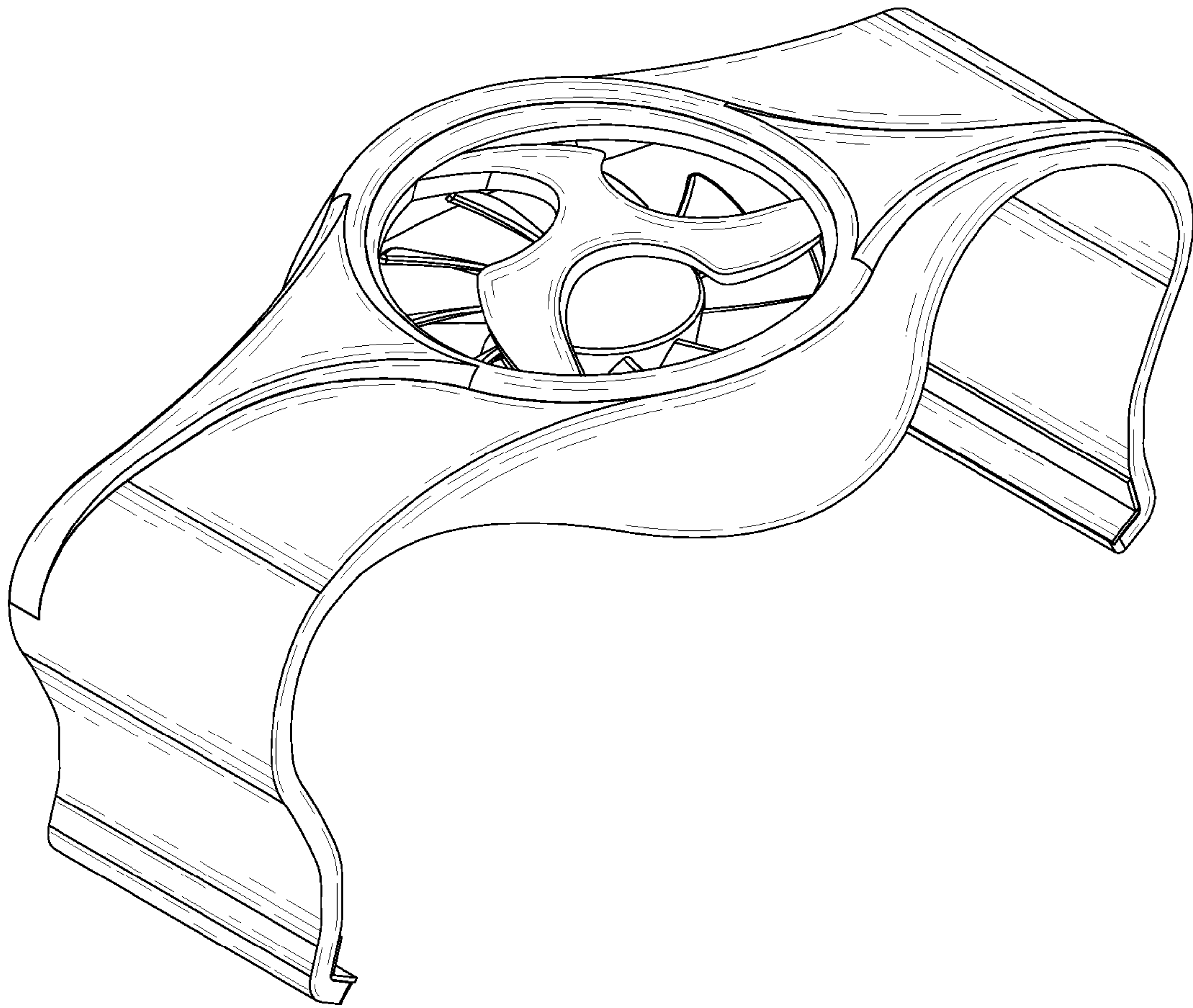


FIG.1

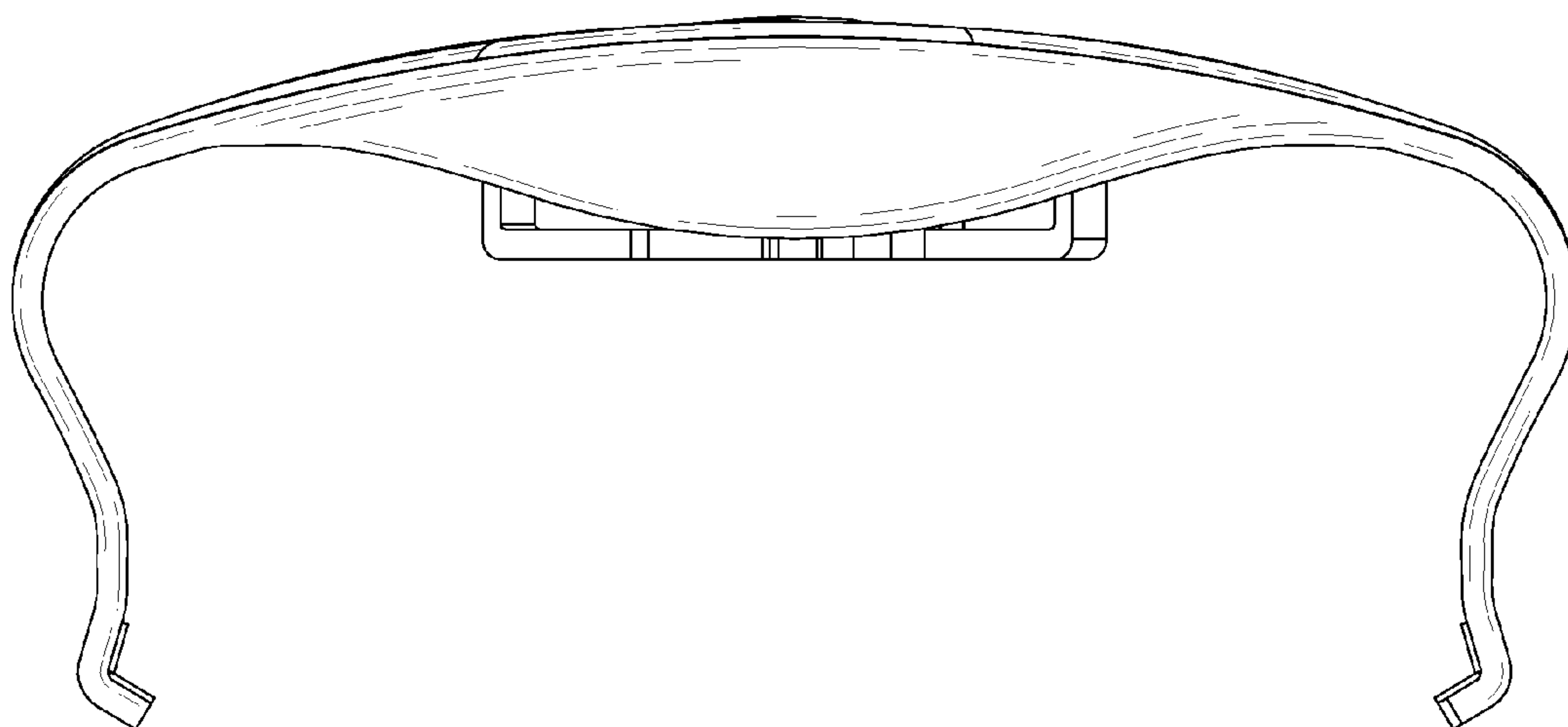


FIG. 2

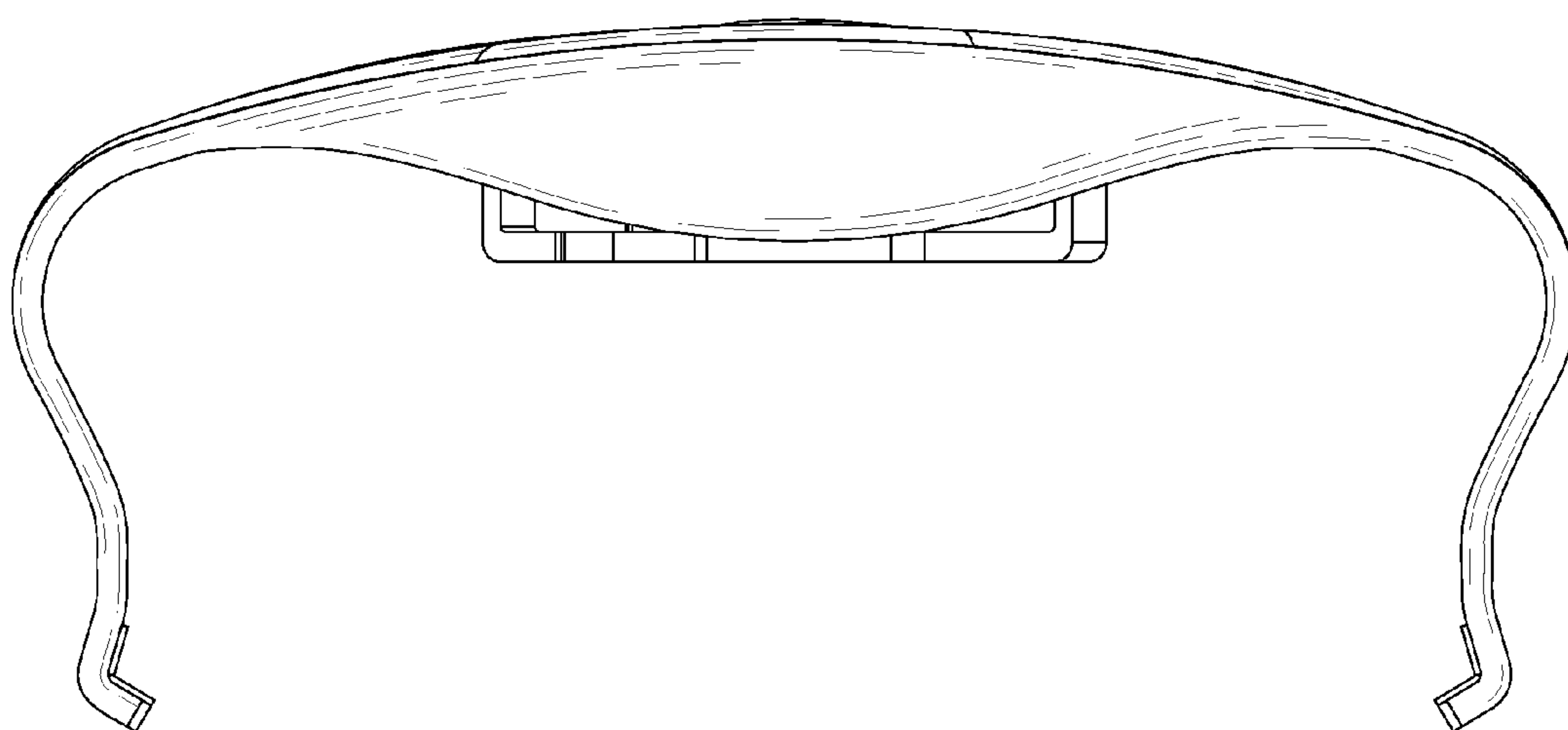


FIG. 3

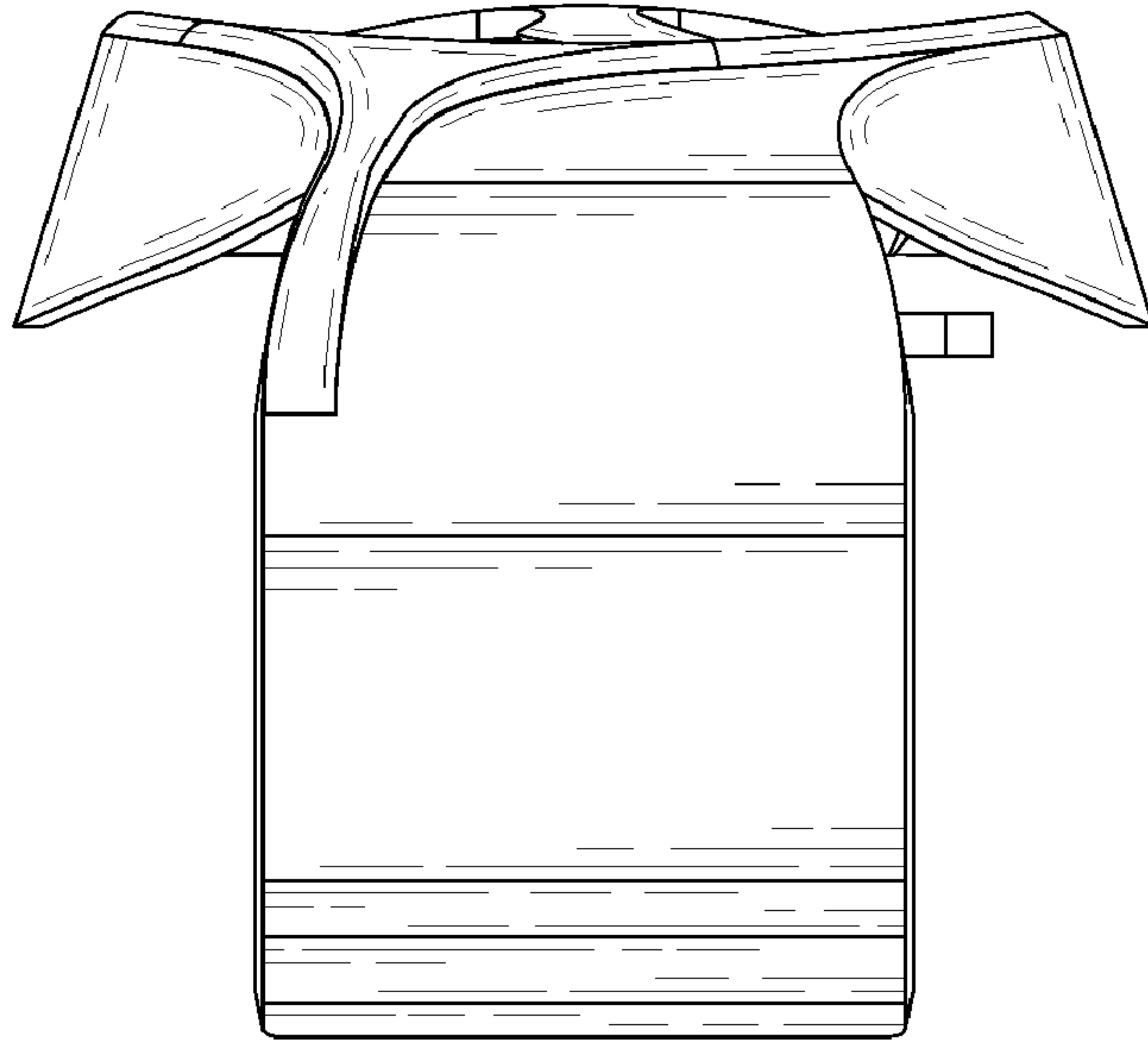


FIG.4

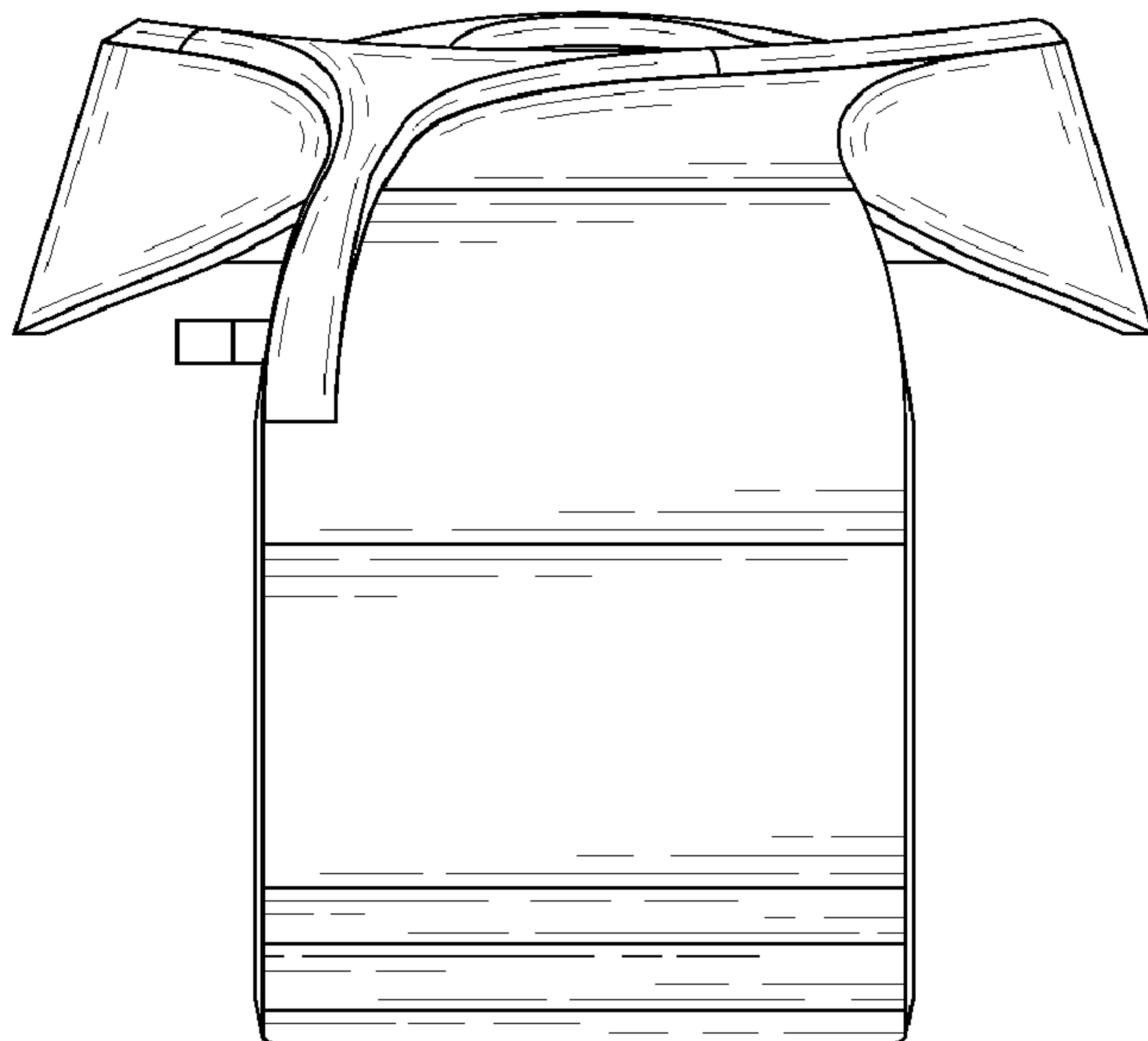


FIG.5

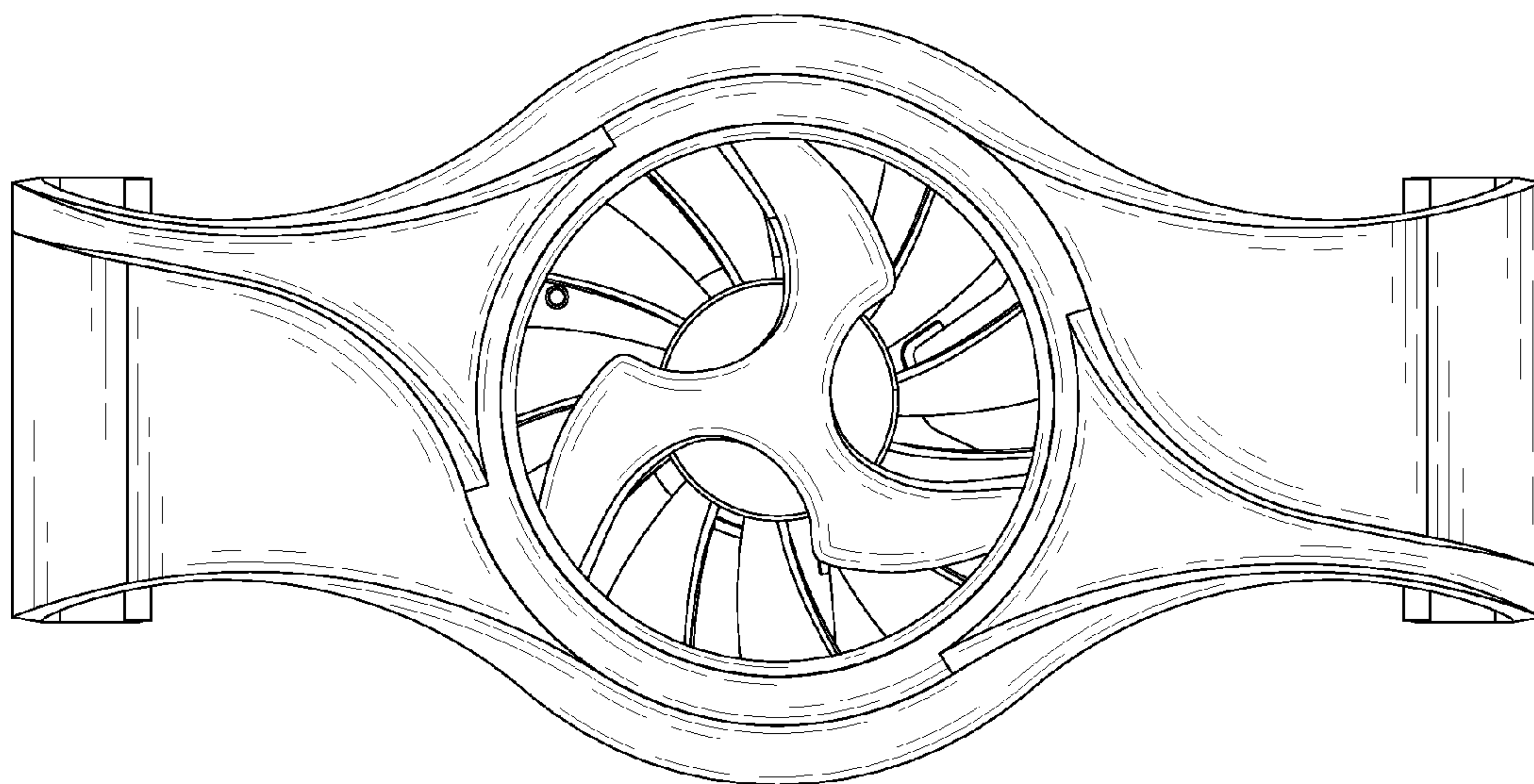


FIG. 6

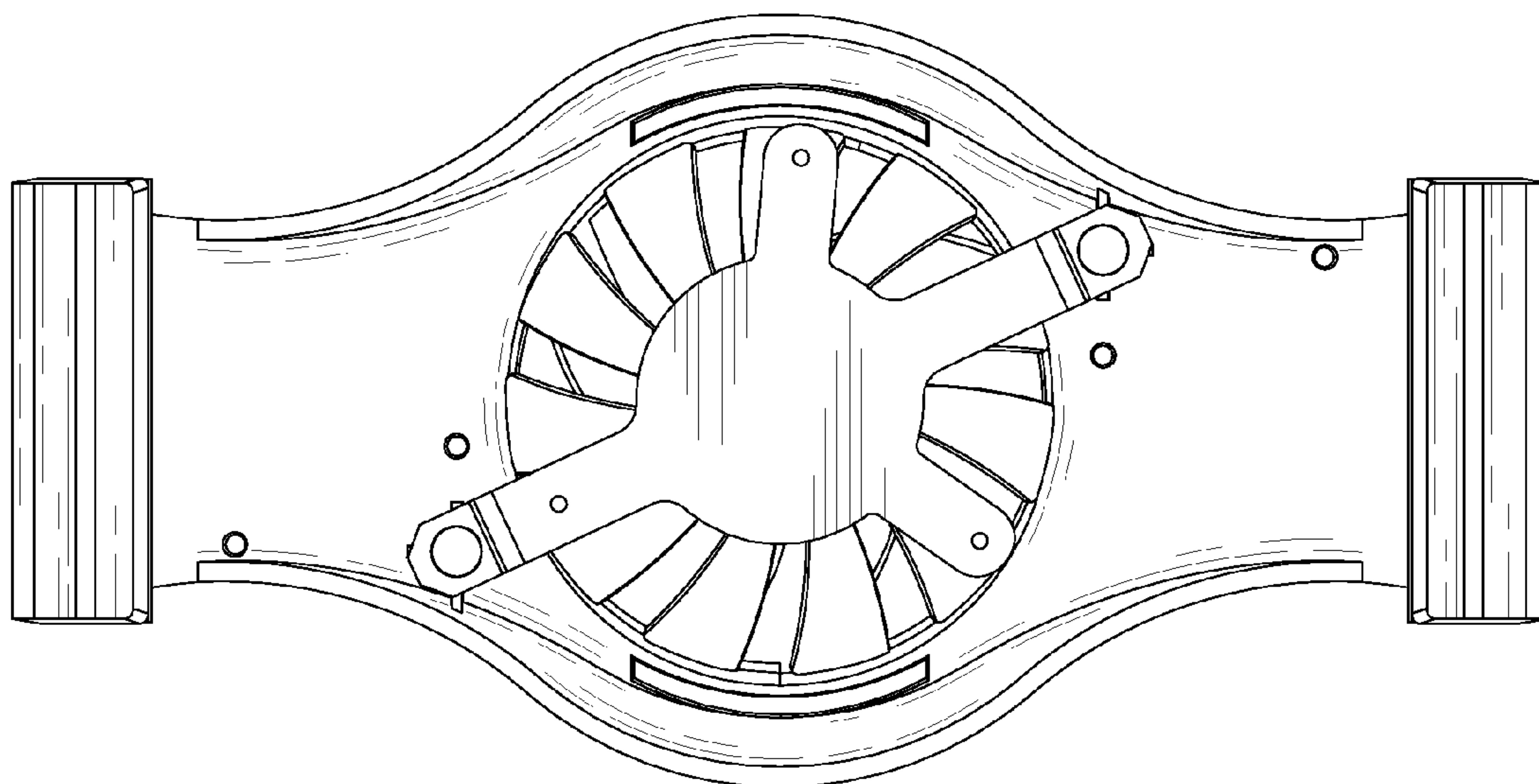


FIG. 7