



US00D595397S

(12) **United States Design Patent**  
**Park et al.**

(10) **Patent No.:** **US D595,397 S**  
(45) **Date of Patent:** **\*\* Jun. 30, 2009**

(54) **WALL-INSTALLED TYPE AIR  
CONDITIONER**

(75) Inventors: **Il Ha Park**, Gyeonggi-do (KR); **Mun  
Woo Lee**, Gyeonggi-do (KR); **Jung Joo  
Yoo**, Seoul (KR); **Joo Gyeom Kim**,  
Seoul (KR); **Seon Kyu Kim**, Seoul (KR)

(73) Assignee: **LG Electronics Inc.**, Seoul (KR)

(\*\*) Term: **14 Years**

(21) Appl. No.: **29/309,309**

(22) Filed: **Jul. 22, 2008**

(30) **Foreign Application Priority Data**

Jan. 31, 2008 (KR) ..... 30-2008-0004528

(51) **LOC (9) Cl.** ..... **23-04**

(52) **U.S. Cl.** ..... **D23/351**

(58) **Field of Classification Search** ..... D23/351-354;  
312/236; 62/259.1, 259.4, 262-263, 304;  
454/330-331, 349-350

See application file for complete search history.

(56) **References Cited**

**U.S. PATENT DOCUMENTS**

D487,142 S *	2/2004	Yoo	.....	D23/351
D502,255 S *	2/2005	Kim	.....	D23/351
D529,156 S *	9/2006	Murai	.....	D23/351
D529,158 S *	9/2006	Ueno et al.	.....	D23/351
D529,595 S *	10/2006	Ueno et al.	.....	D23/351
D539,889 S *	4/2007	Chooji	.....	D23/351
D553,721 S *	10/2007	Seki et al.	.....	D23/351
D553,724 S *	10/2007	Nakamura	.....	D23/351
D553,726 S *	10/2007	Niki	.....	D23/351
D558,866 S *	1/2008	Yamamoto	.....	D23/351

D564,081 S *	3/2008	Yamamoto	.....	D23/351
D565,158 S *	3/2008	Nagahori	.....	D23/351
D566,254 S *	4/2008	Lim	.....	D23/351
D568,975 S *	5/2008	Lim	.....	D23/351
D569,489 S *	5/2008	Nakamura et al.	.....	D23/351
D570,463 S *	6/2008	Seki	.....	D23/351
D571,907 S *	6/2008	Choi	.....	D23/351

\* cited by examiner

*Primary Examiner*—Brian N Vinson

(74) *Attorney, Agent, or Firm*—Morgan, Lewis & Bockius  
LLP

(57) **CLAIM**

The ornamental design for a wall-installed type air conditioner, as shown and described.

**DESCRIPTION**

FIG. 1 is a perspective view of a wall-installed type air conditioner showing our new design;

FIG. 2 is a front view thereof;

FIG. 3 is a rear view thereof;

FIG. 4 is a left side view thereof where the right side view is a mirror image;

FIG. 5 is a top plan view thereof;

FIG. 6 is a bottom plan view thereof;

FIG. 7 is a perspective view thereof showing the state of operating for cooling; and,

FIG. 8 is a perspective view thereof showing the state of operating for heating.

The portions of the wall-installed type air conditioner shown in broken lines form no part of the claimed design.

**1 Claim, 6 Drawing Sheets**

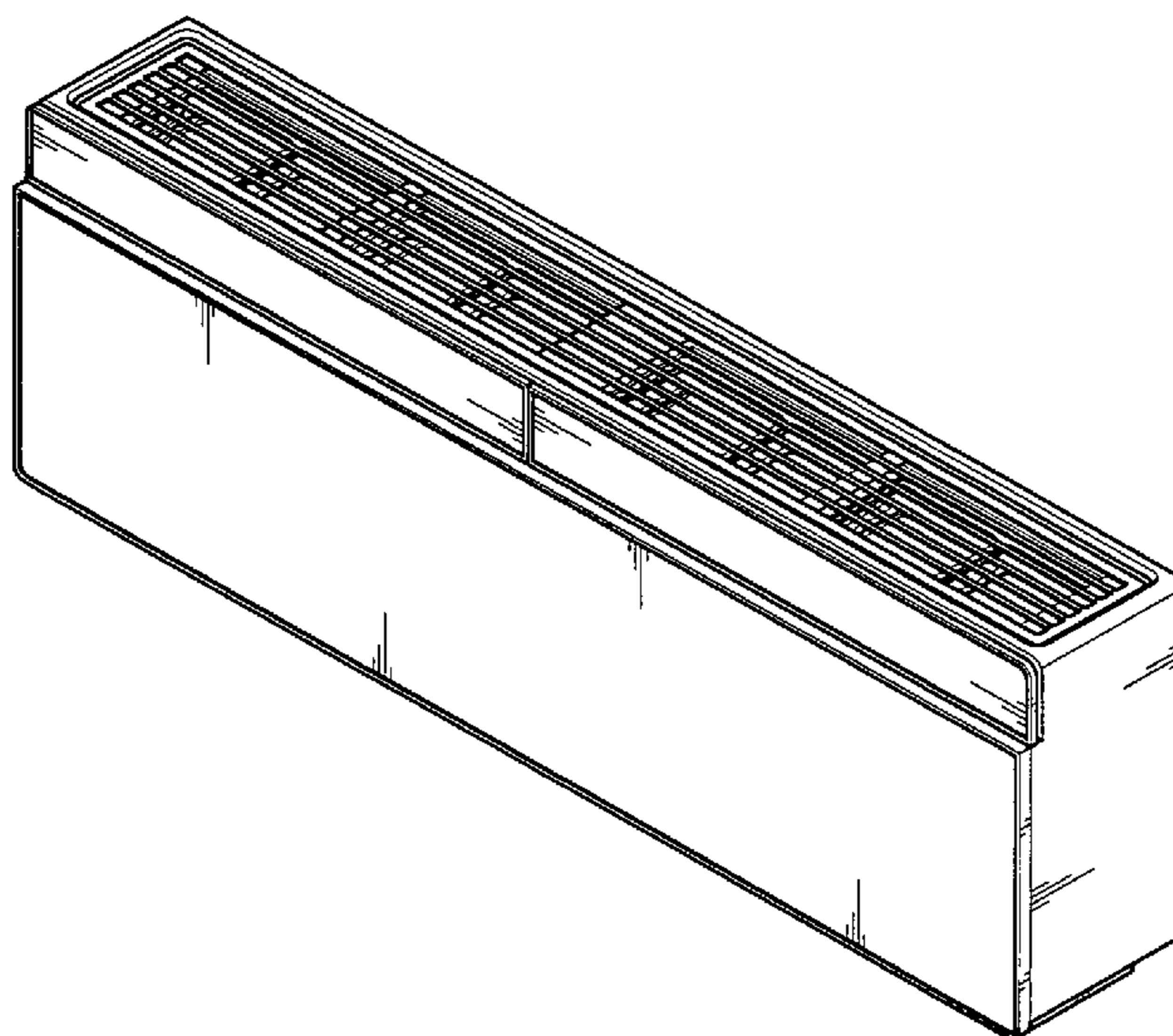


FIG. 1

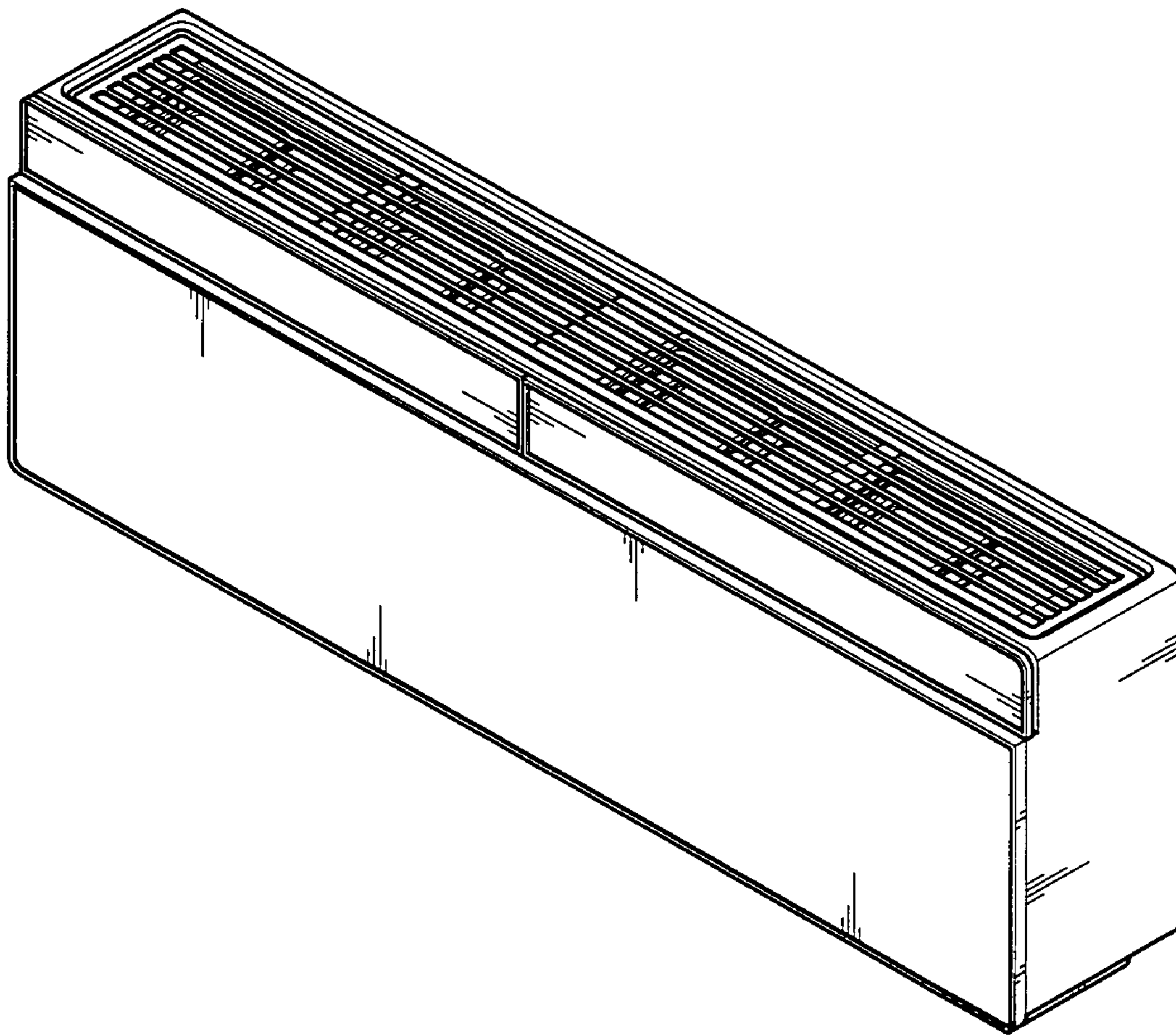


FIG. 2

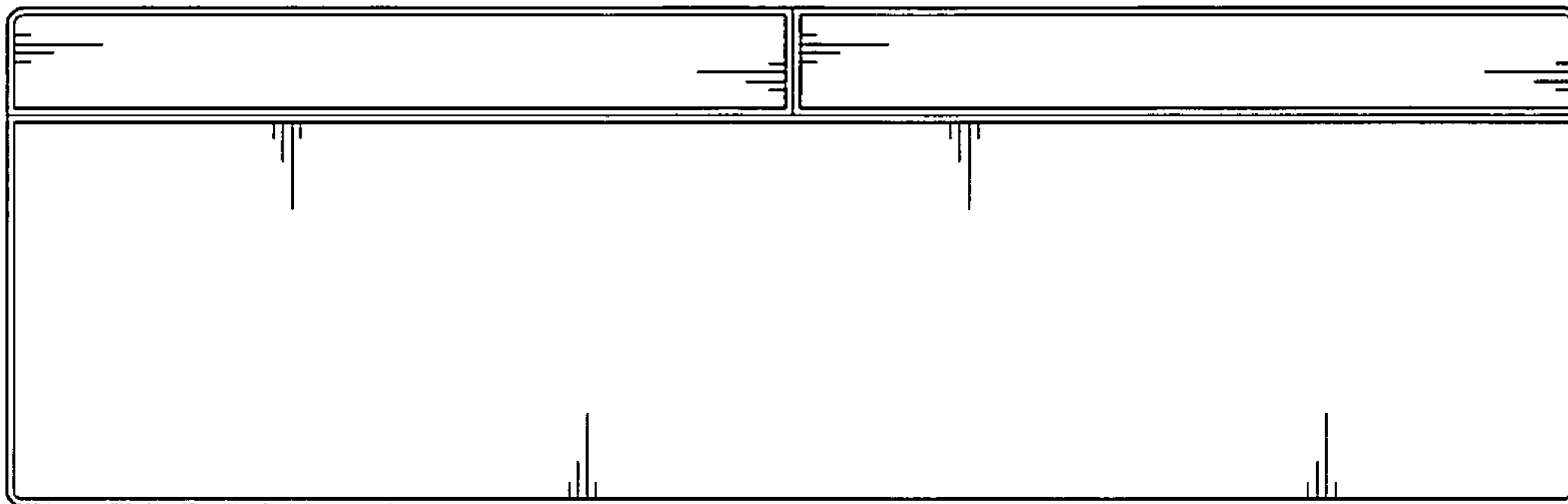
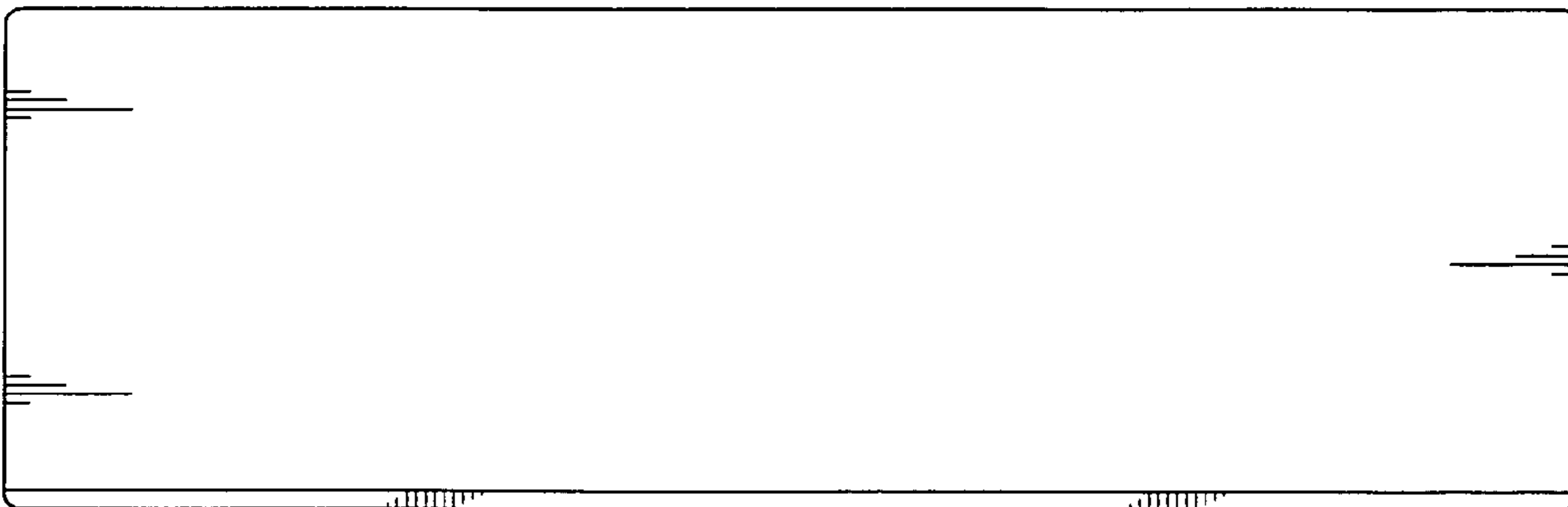


FIG. 3



# FIG. 4

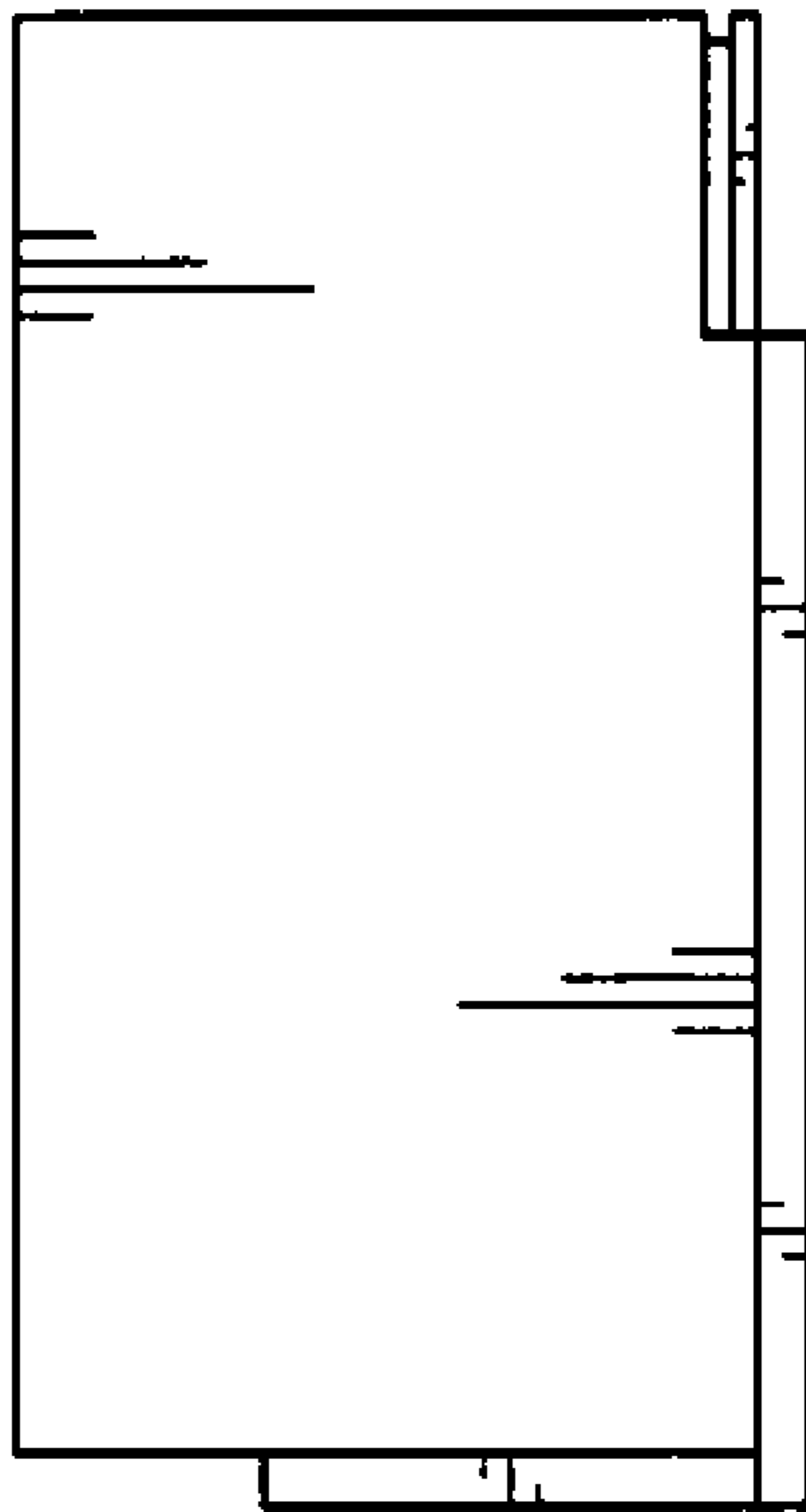


FIG. 5



FIG. 6

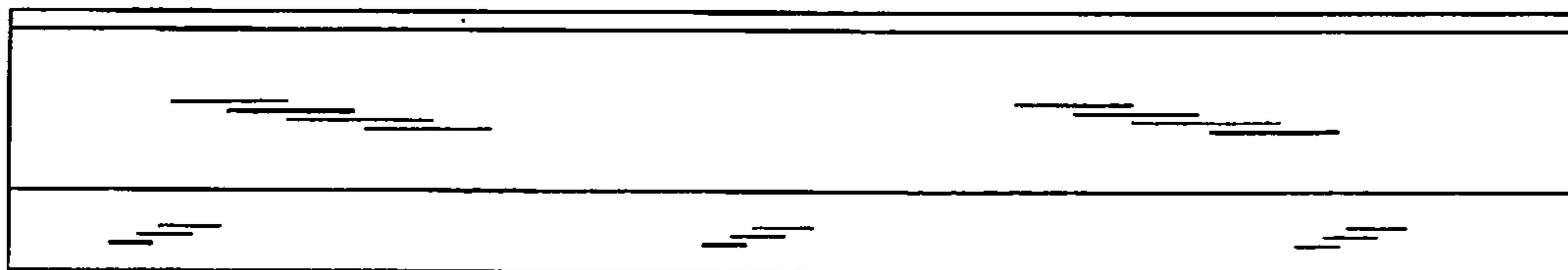


FIG. 7

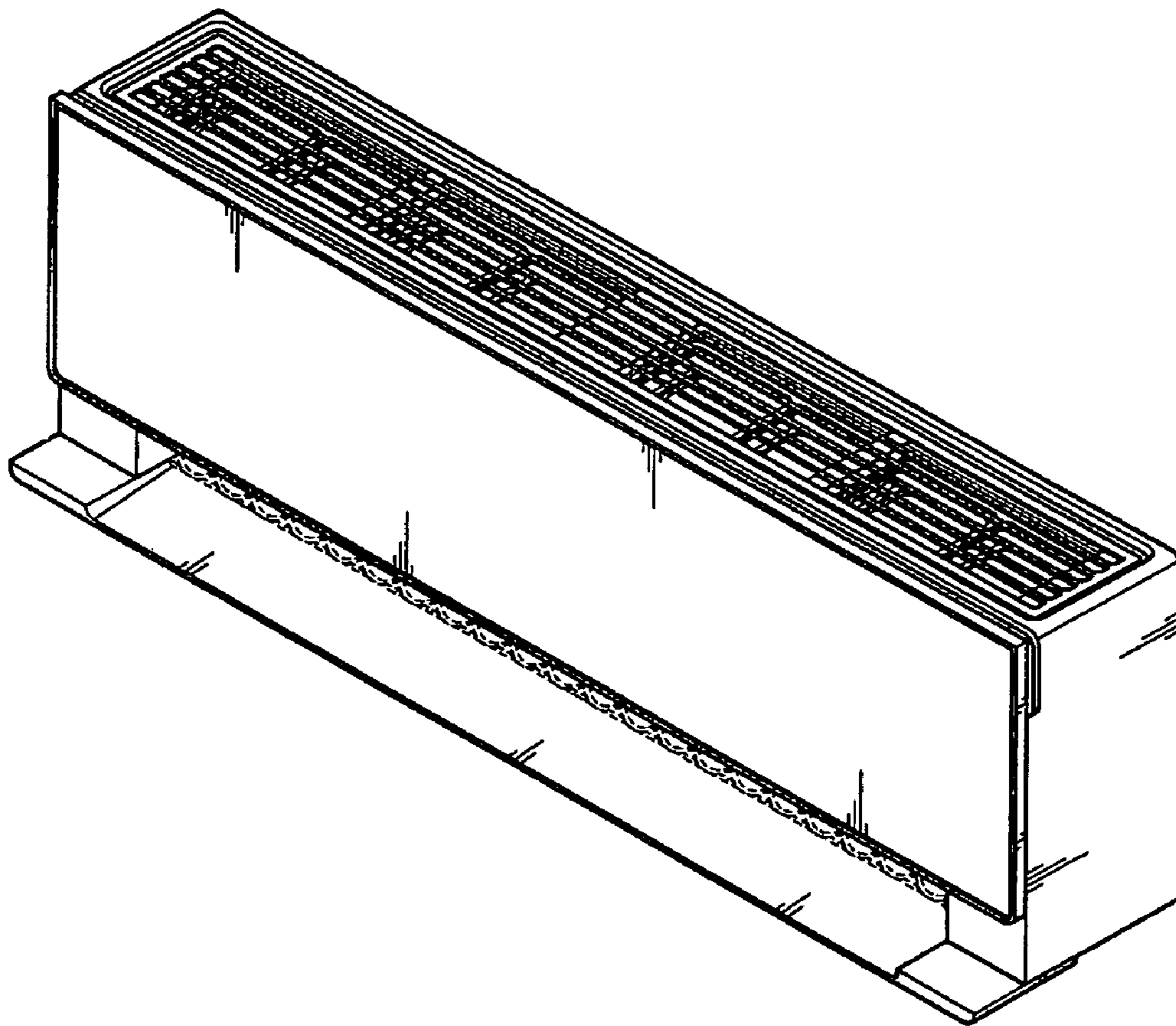


FIG. 8

