



US00D595393S

(12) **United States Design Patent**  
**Good et al.**

(10) **Patent No.:** **US D595,393 S**  
(45) **Date of Patent:** **\*\* Jun. 30, 2009**

(54) **TOILET**

D539,397 S 3/2007 Fritz

(75) Inventors: **Mark D. Good**, Ann Arbor, MI (US);  
**Brian Kelly**, Mason, MI (US); **Michael Juska**, Ann Arbor, MI (US)

(73) Assignee: **Theftford Corporation**, Ann Arbor, MI (US)

(\*\*) Term: **14 Years**

(21) Appl. No.: **29/325,987**

(22) Filed: **Oct. 9, 2008**

**Related U.S. Application Data**

(63) Continuation of application No. 29/295,860, filed on Oct. 9, 2007, now Pat. No. Des. 583,031.

(51) **LOC (9) Cl.** ..... **23-01**

(52) **U.S. Cl.** ..... **D23/295**

(58) **Field of Classification Search** ..... D23/273–274,  
D23/295–299, 303, 309; 4/663–664, 300,  
4/312, 329, 348, 352–353

See application file for complete search history.

(56) **References Cited**

**U.S. PATENT DOCUMENTS**

D114,166 S 4/1939 Andersen et al.  
D484,957 S 1/2004 Grech et al.  
D513,429 S 1/2006 Fritz  
D537,151 S 2/2007 Good et al.

**OTHER PUBLICATIONS**

Co-pending U.S. Appl. No. 12/245,051, filed Oct. 3, 2008.  
Raritan Engineering Company, Inc. brochure entitled “Compact IITM,” Undated, 2 Pages.

Raritan Engineering Company, Inc. brochure entitled “PHII and PHEII,” Undated, 2 Pages.

*Primary Examiner*—Robert A Delehanty

(74) *Attorney, Agent, or Firm*—Harness, Dickey & Pierce, P.L.C.

(57) **CLAIM**

The ornamental design for a toilet, as shown and described.

**DESCRIPTION**

FIG. 1 is a perspective view of a toilet in accordance with our design. The toilet shown is operative associated with a pump assembly;

FIG. 2 is a front view of the toilet of FIG. 1;

FIG. 3 is a left side view thereof;

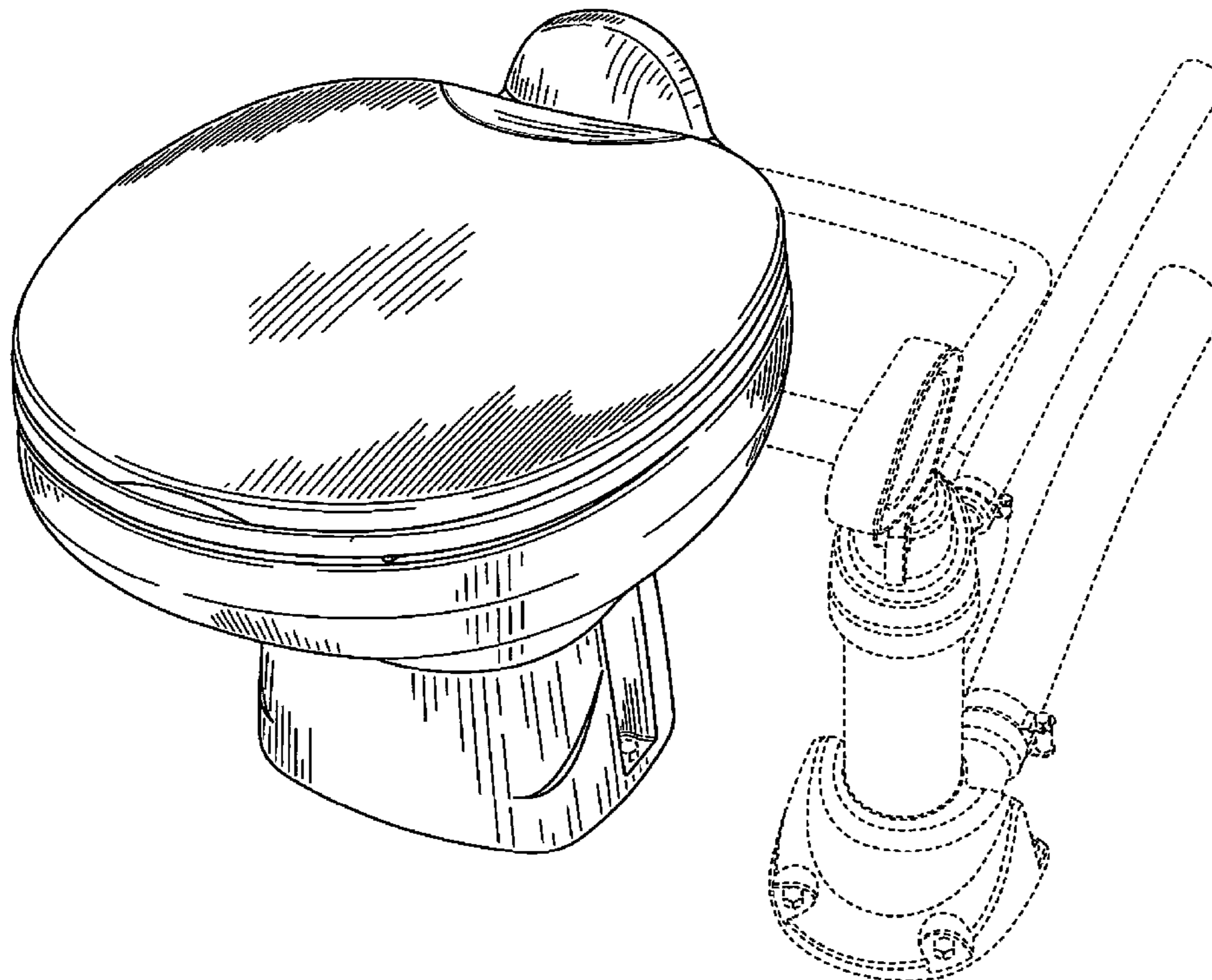
FIG. 4 is a right side view thereof;

FIG. 5 is a top view thereof; and,

FIG. 6 is a rear view thereof.

It being understood that the hidden lines shown throughout the drawings are for illustrative purposes only and form no part of the present design.

**1 Claim, 5 Drawing Sheets**



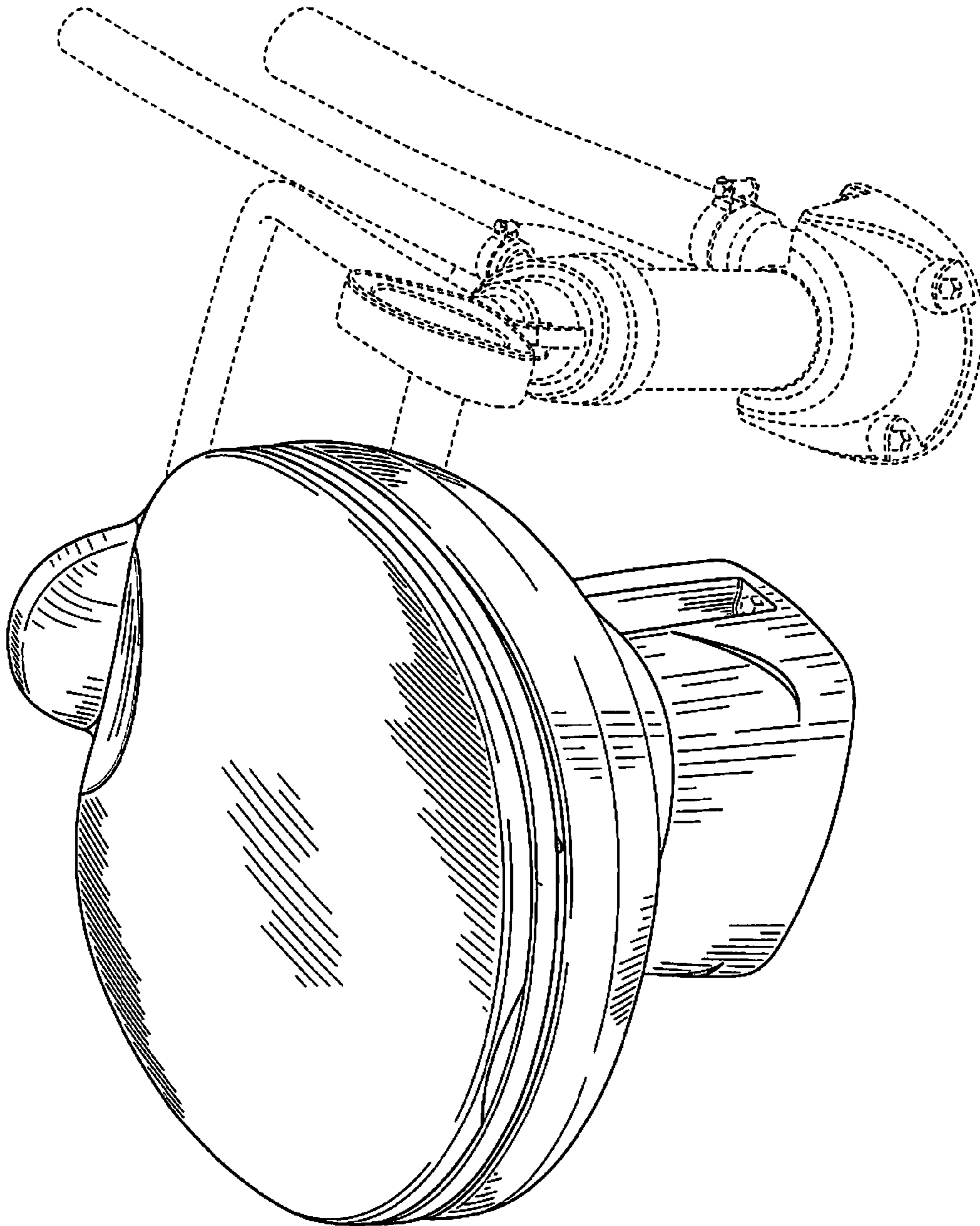


FIG. 1

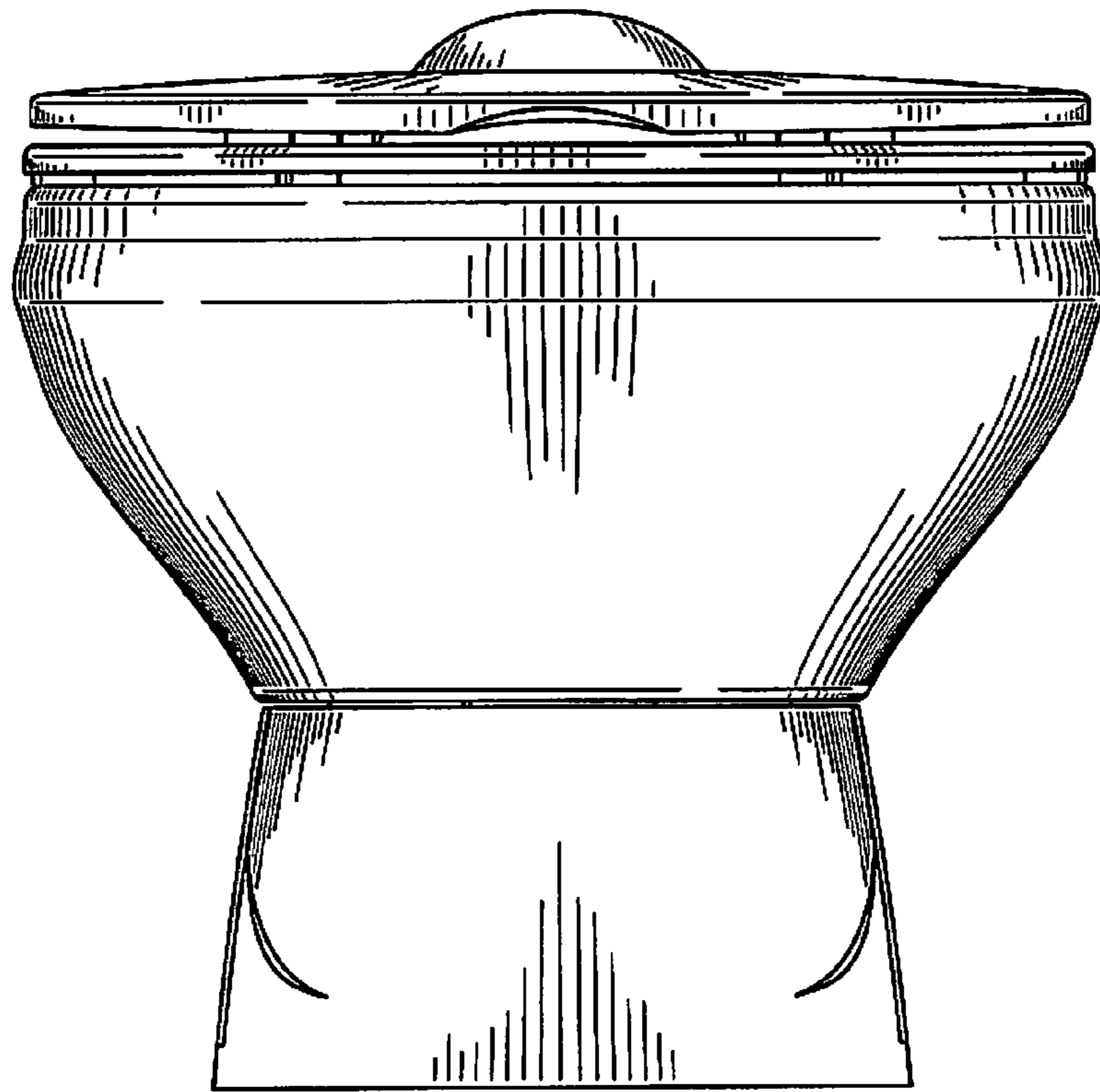


FIG. 2

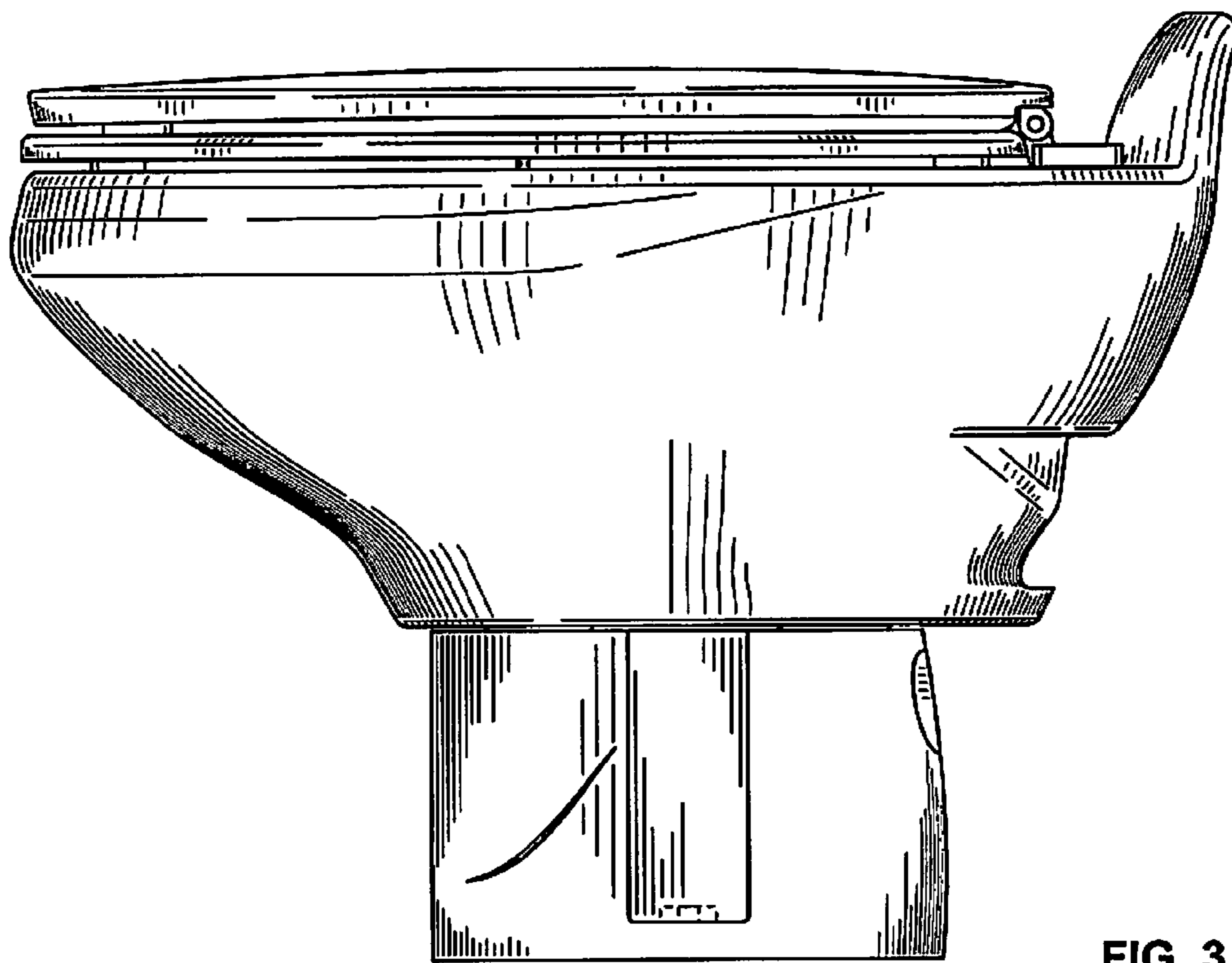


FIG. 3

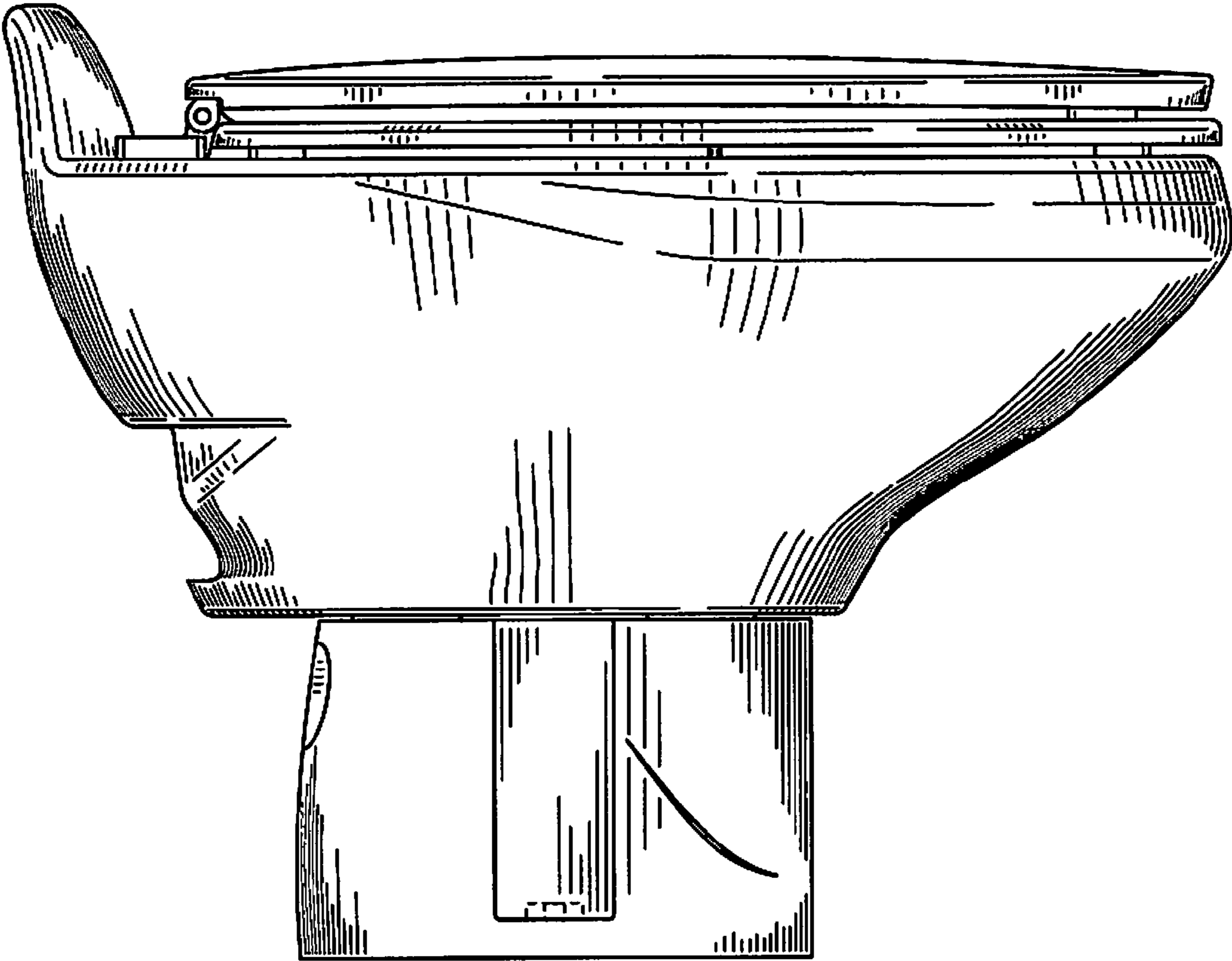


FIG. 4



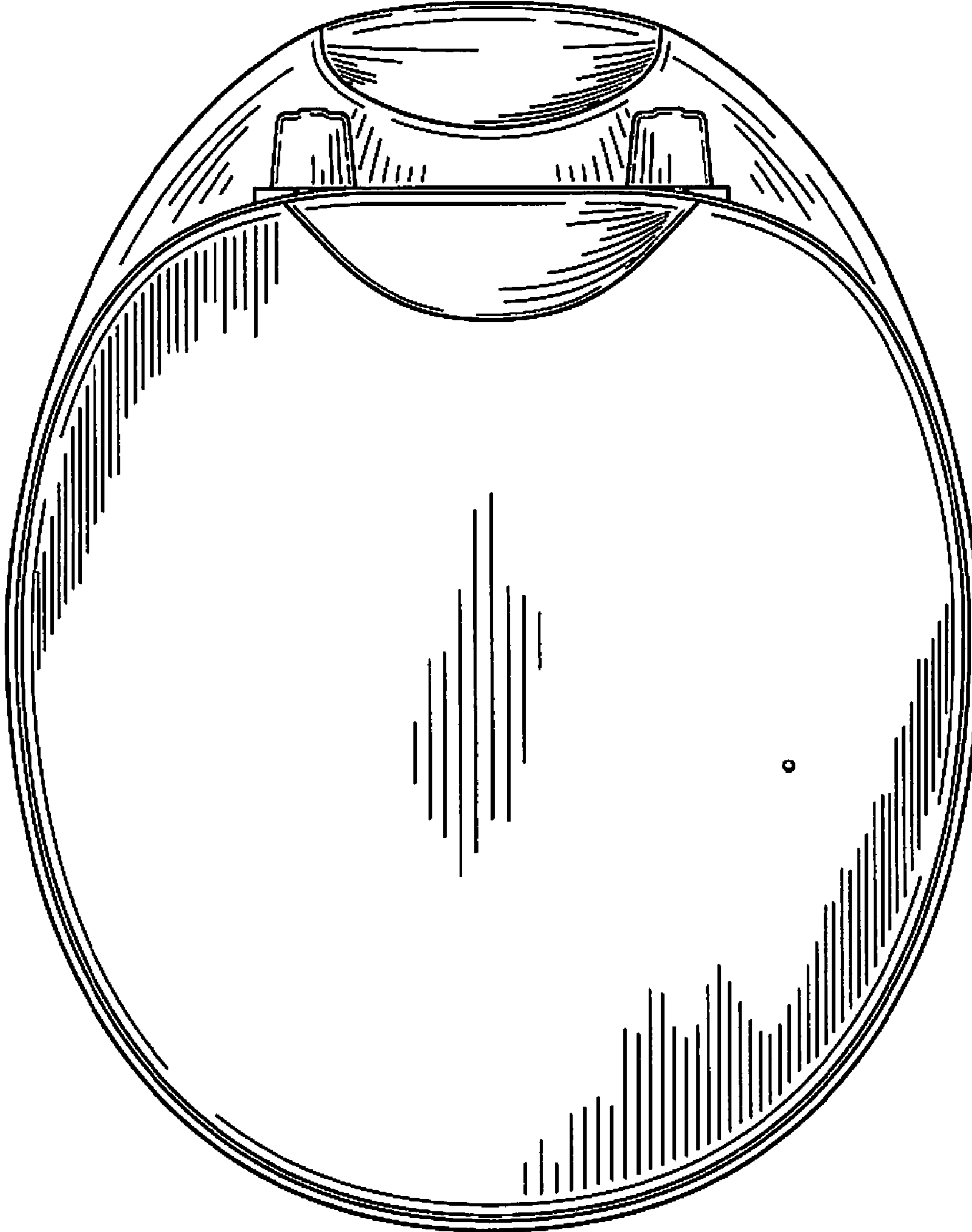


FIG. 5

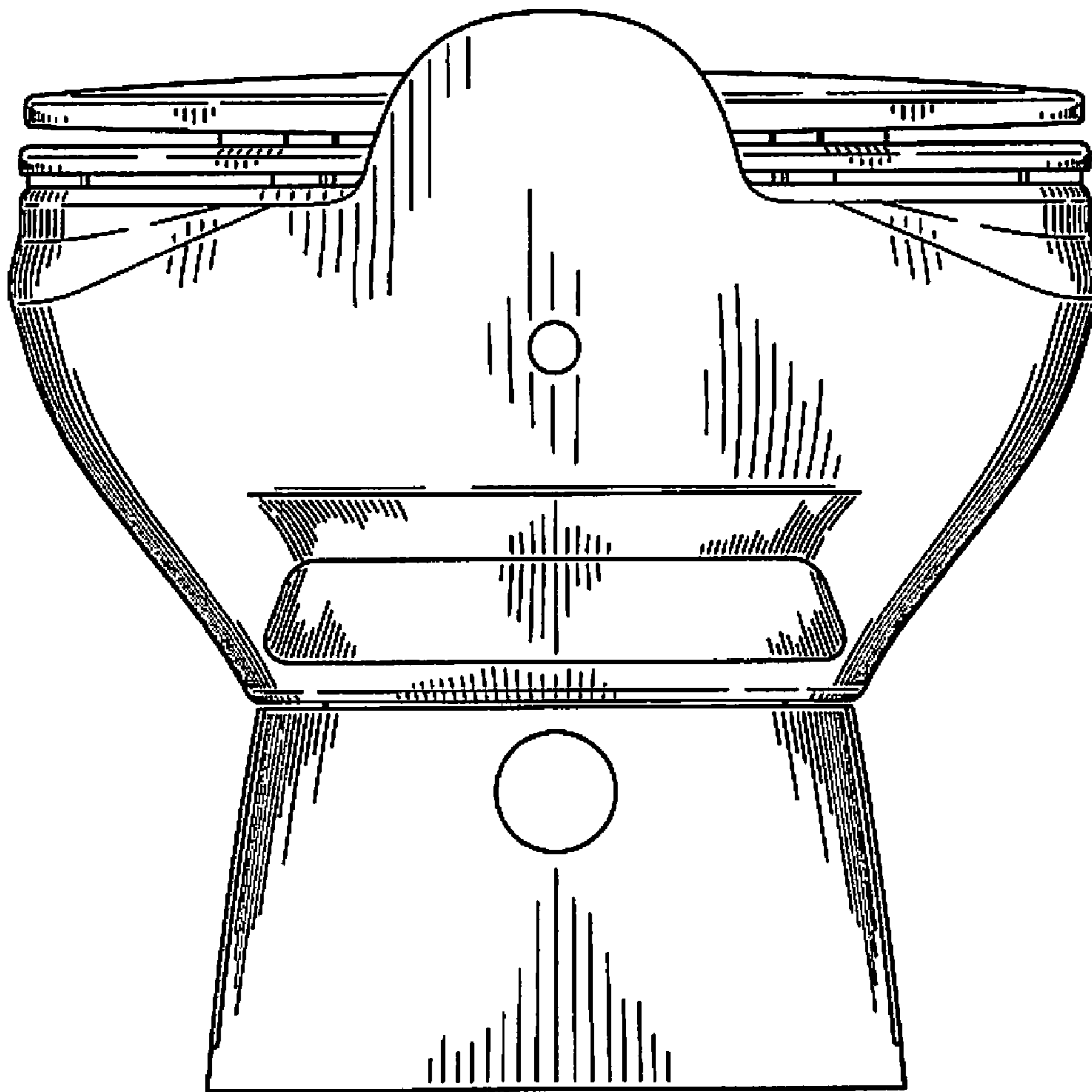


FIG. 6