



US00D595389S

(12) **United States Design Patent**  
**Leonard et al.**

(10) **Patent No.:** **US D595,389 S**  
(45) **Date of Patent:** **\*\* Jun. 30, 2009**

(54) **DISPENSER DEVICE**

(75) Inventors: **Stephen B. Leonard**, Franksville, WI (US); **Timothy R. Ordiway**, Racine, WI (US); **Jeffrey L. Crull**, McFarland, WI (US); **Jonathan M. Mick**, Marshall, WI (US)

(73) Assignee: **S.C. Johnson & Son, Inc.**, Racine, WI (US)

(\*\*) Term: **14 Years**

(21) Appl. No.: **29/333,580**

(22) Filed: **Mar. 12, 2009**

**Related U.S. Application Data**

(62) Division of application No. 29/289,754, filed on Jul. 31, 2007, now Pat. No. Des. 591,824.

(51) **LOC (9) Cl.** ..... **23-01**

(52) **U.S. Cl.** ..... **D23/208**

(58) **Field of Classification Search** ..... D23/207, D23/208, 209; 4/223, 225.1, 227.1, 231  
See application file for complete search history.

(56) **References Cited**

**U.S. PATENT DOCUMENTS**

- 3,342,379 A 9/1967 Foley
- D217,872 S 6/1970 Sessions
- D228,994 S 11/1973 Reinecke et al.
- D273,607 S 4/1984 Joyaux et al.
- RE32,017 E 11/1985 Hautmann et al.
- 4,555,819 A 12/1985 Weiss et al.
- 4,560,108 A 12/1985 Rubinstein
- 4,660,765 A 4/1987 Rosenberg
- 4,763,839 A 8/1988 Greenberg
- 4,817,869 A 4/1989 Rubinstein
- D419,347 S 1/2000 Leonard
- D423,639 S 4/2000 Leonard
- D436,160 S 1/2001 Leonard et al.
- 6,178,564 B1 1/2001 Leonard et al.
- 6,230,334 B1 5/2001 Camp et al.
- D444,978 S 7/2001 Kauzlarich et al.
- 6,389,610 B1 5/2002 Hautmann et al.
- 6,434,758 B2 8/2002 Camp et al.
- 6,505,356 B1 1/2003 Leonard et al.

- 6,519,783 B2 2/2003 Falchieri
- D477,956 S 8/2003 Grisdale et al.
- D481,896 S 11/2003 Shaanan
- 6,651,261 B1 11/2003 Leonard et al.
- 6,691,329 B2 2/2004 Slade
- 6,820,821 B2 11/2004 Linstedt et al.
- D499,295 S 12/2004 Grisdale et al.
- D500,548 S 1/2005 Conway et al.
- 6,898,806 B2 5/2005 Keramidas
- 6,976,277 B2 12/2005 Keramidas
- 7,021,494 B2 4/2006 Mazooji et al.
- 7,114,199 B2 10/2006 Conway et al.
- D540,907 S 4/2007 Liu
- 7,234,175 B2 6/2007 Wilson et al.
- D558,856 S 1/2008 King
- 2002/0083514 A1 7/2002 Lhoste
- 2007/0136937 A1 6/2007 Sawalski et al.

*Primary Examiner*—Robin V Webster

(57) **CLAIM**

The ornamental design for a dispenser device, as shown and described.

**DESCRIPTION**

In a preferred embodiment, the nature of this product is as a liquid dispensing device for dispensing liquids from the rim of a toilet.

FIG. 1 is a top, left, front perspective view of a dispenser device embodying our new design;

FIG. 2 is a front elevational view thereof;

FIG. 3 is a left elevational view thereof;

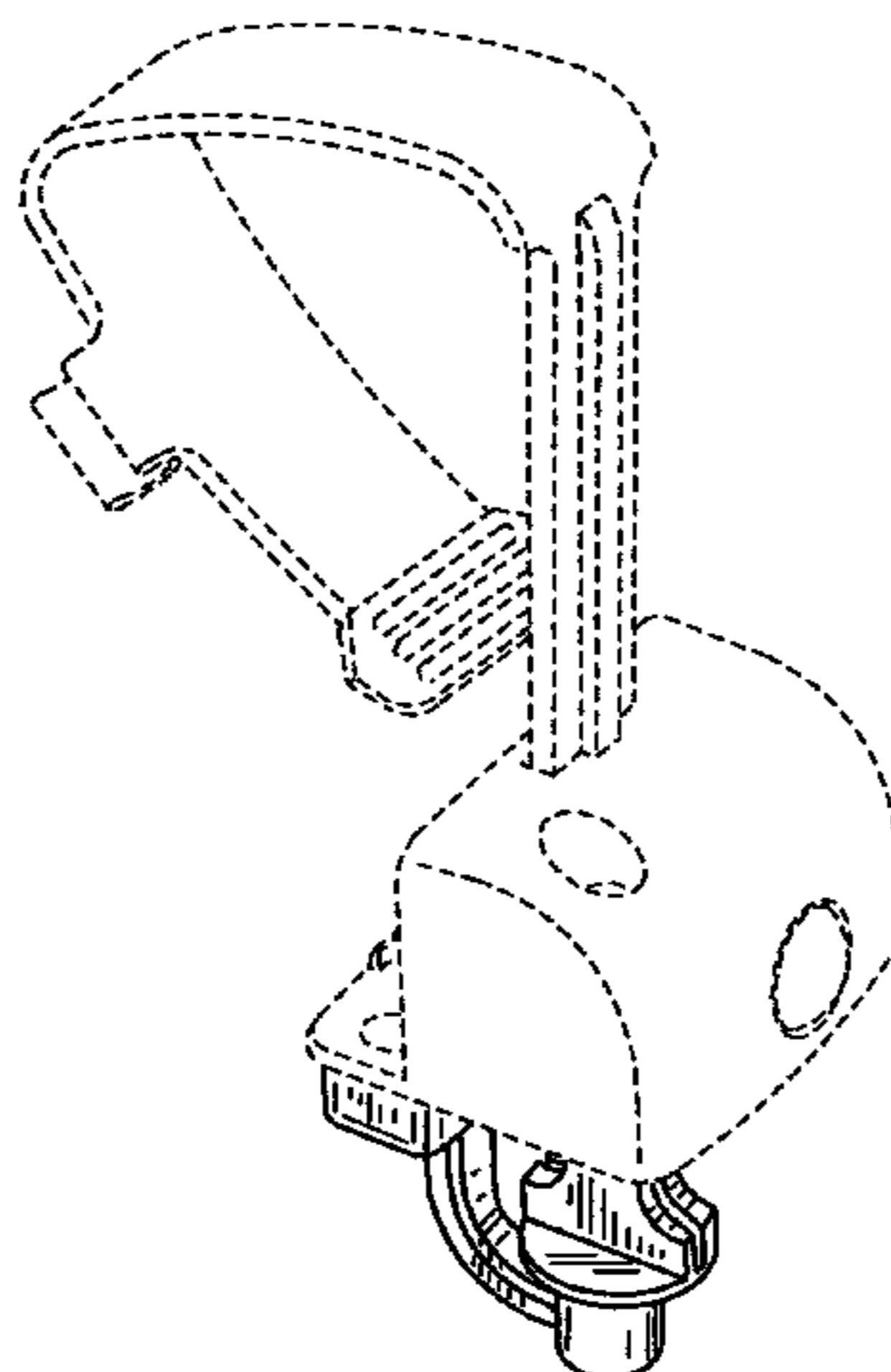
FIG. 4 is a right elevational view thereof;

FIG. 5 is a rear elevational view thereof; and,

FIG. 6 is a bottom plan view thereof.

The broken line representations of a hook in FIGS. 1–6, of a base in FIGS. 1–6, of a hook mounting structure in FIGS. 1–5, of a hose clip in FIGS. 1–6, of a hose inlet in FIGS. 1 and 2, of grips in FIGS. 1–4, of a screw hole in FIG. 1, and of a lens in FIGS. 1–4 and 6 are for illustrative purposes only and form no part of the claimed design.

**1 Claim, 4 Drawing Sheets**



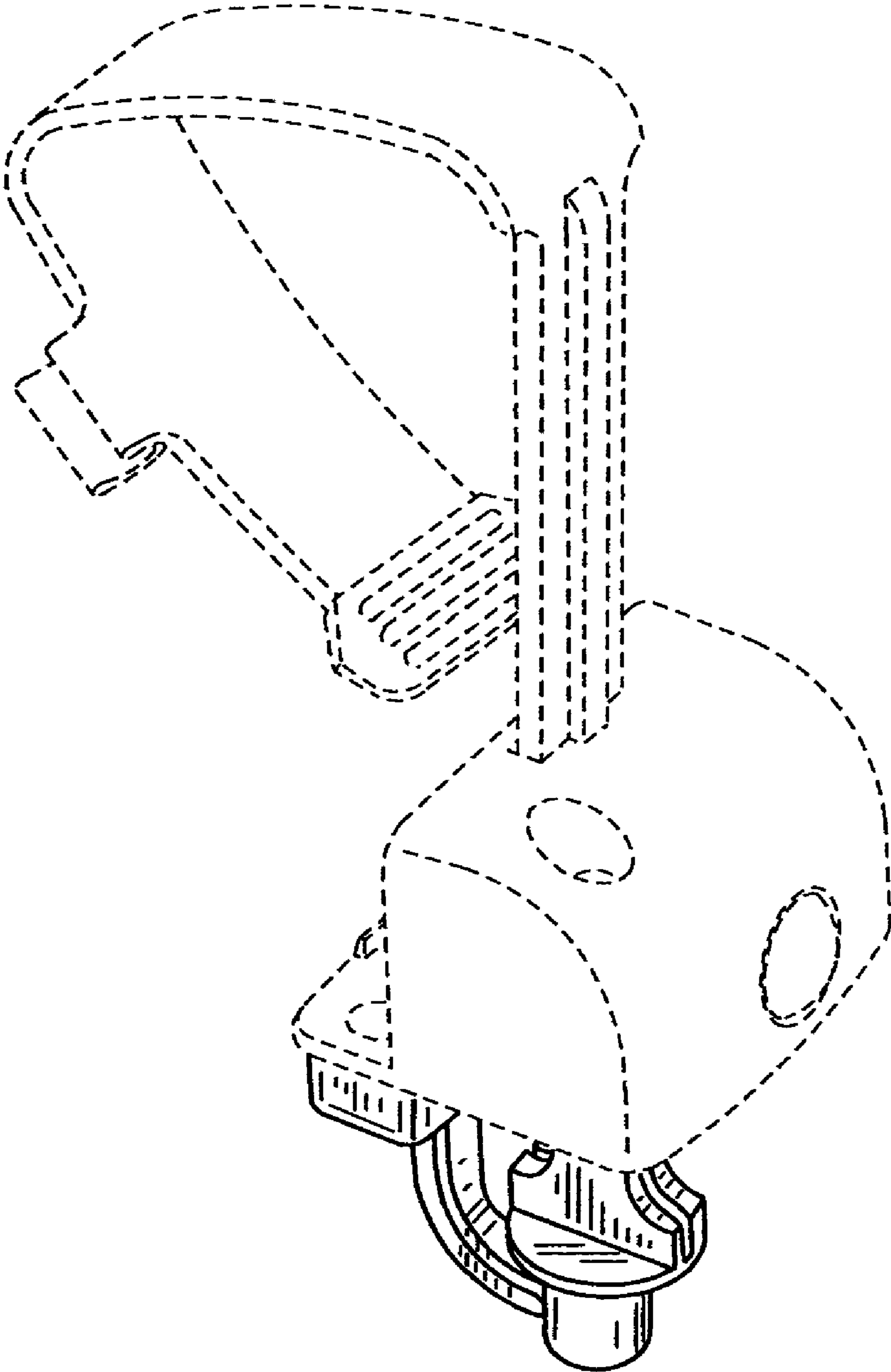


FIG. 1

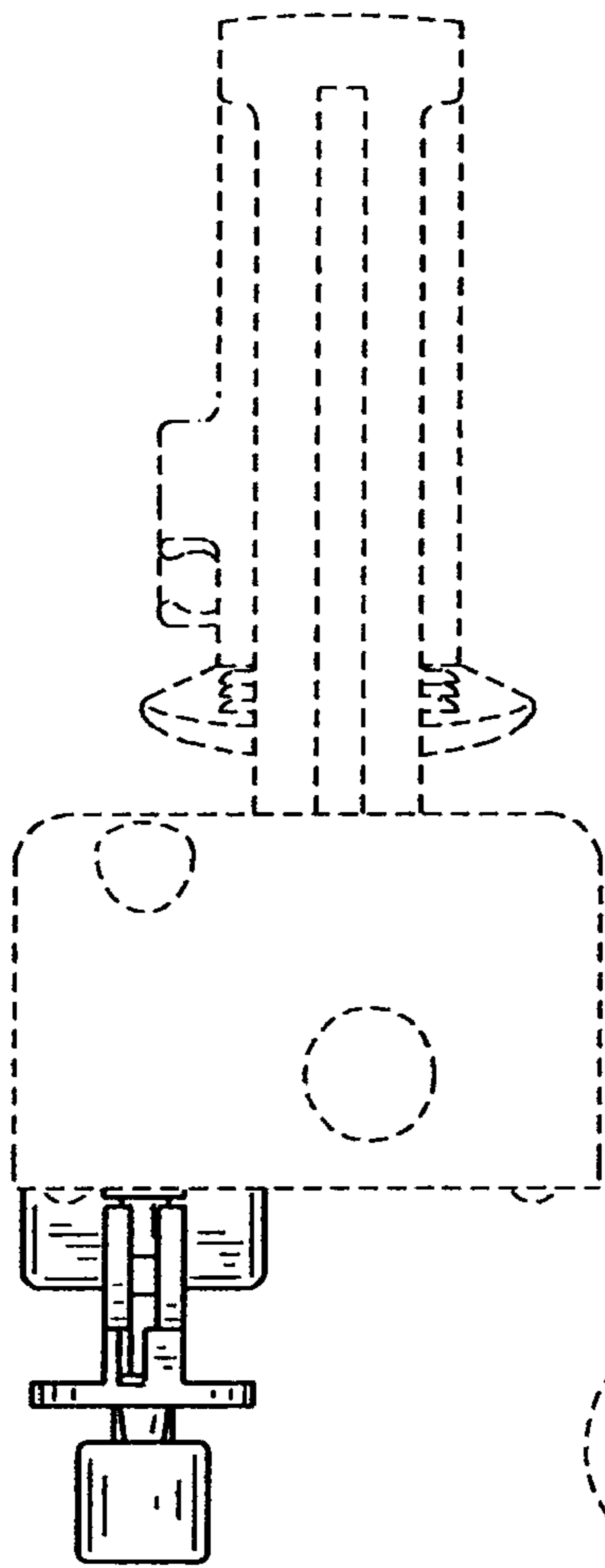


FIG. 2

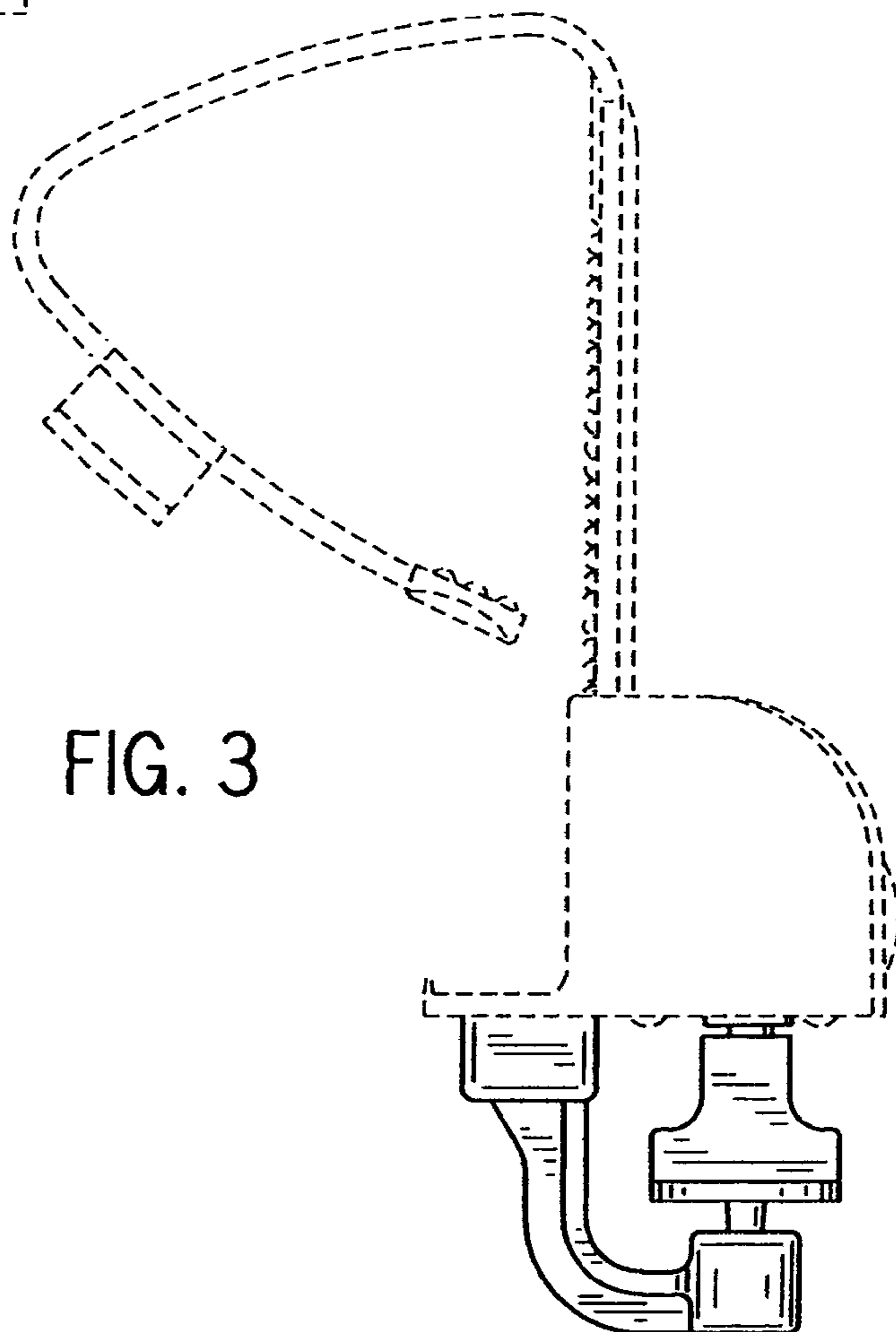


FIG. 3

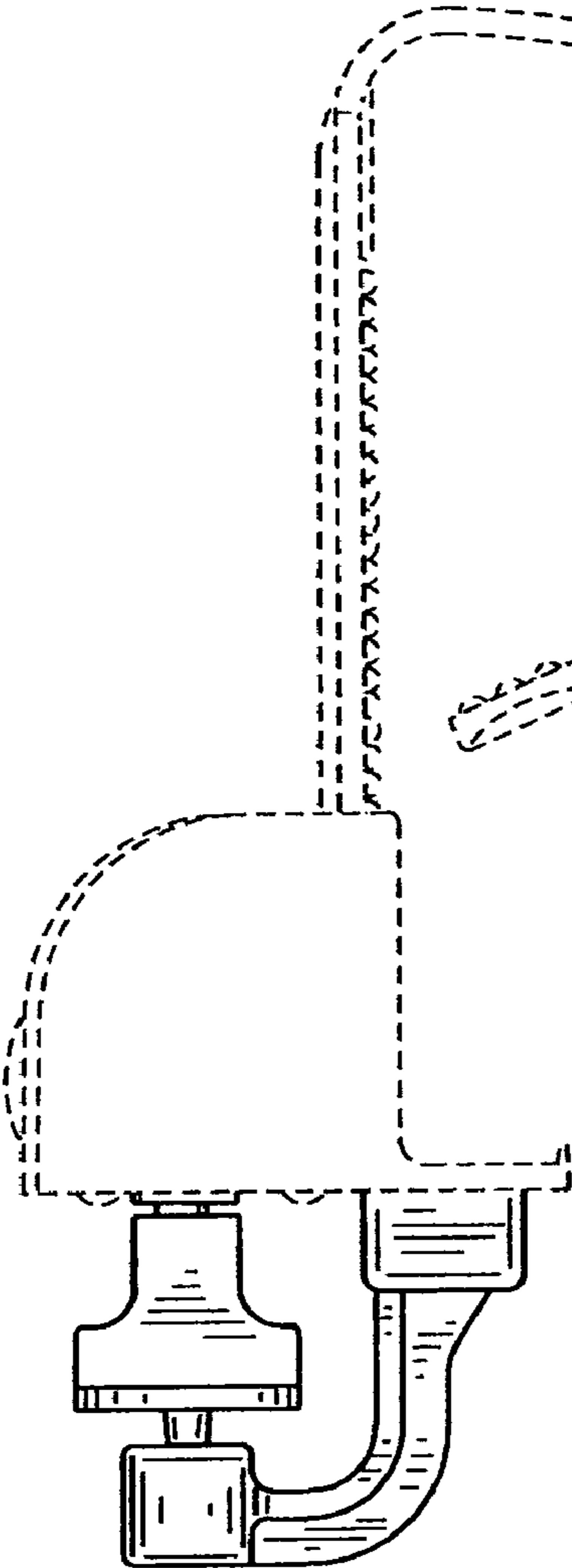


FIG. 4

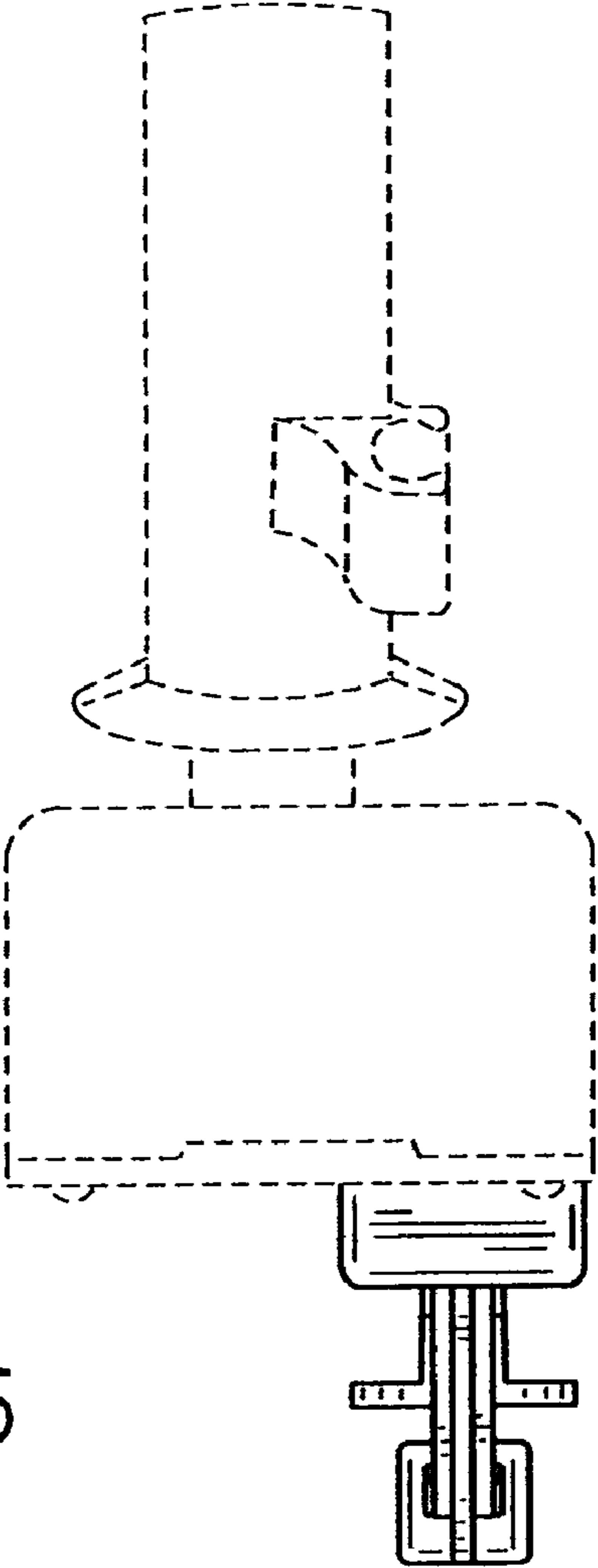


FIG. 5

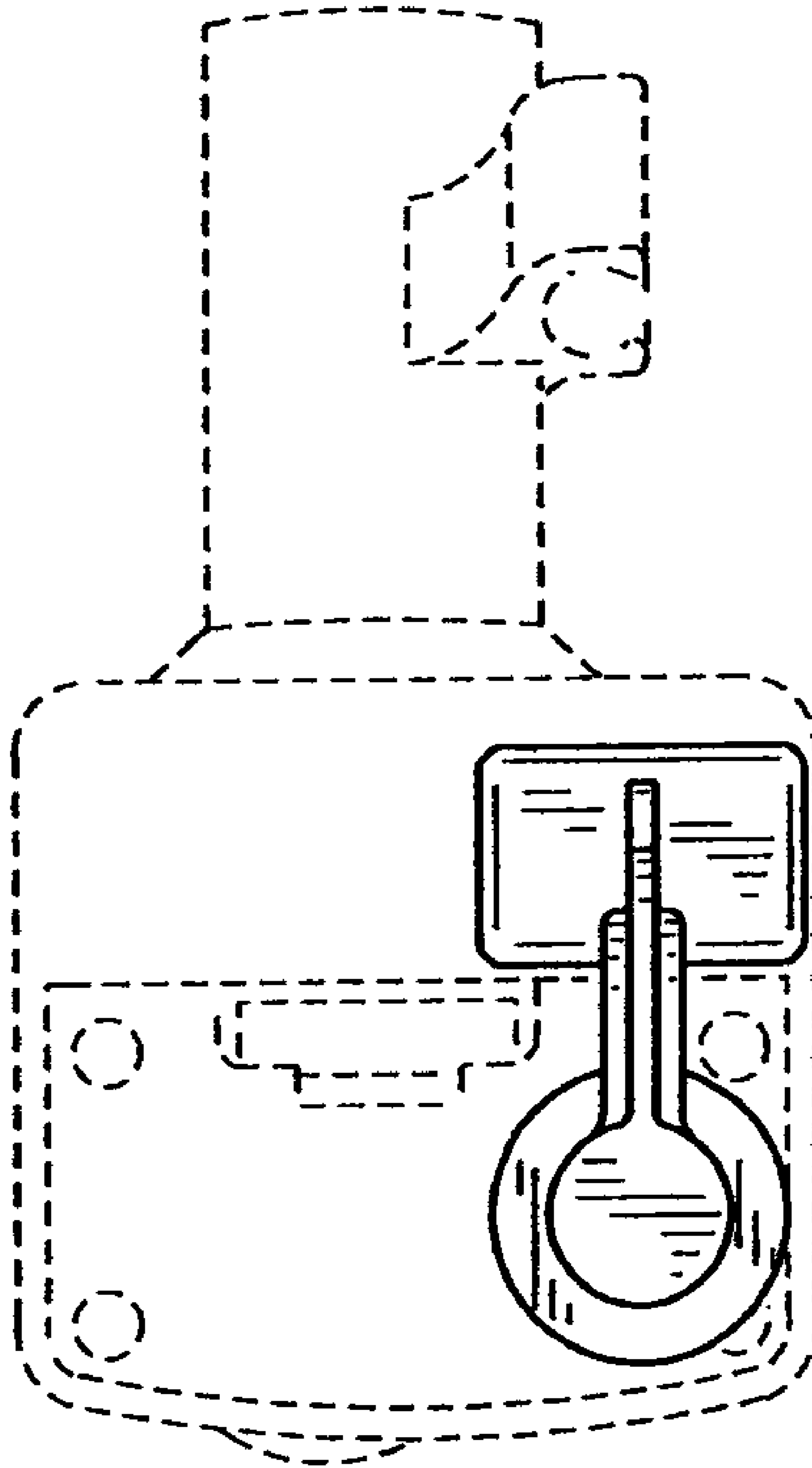


FIG. 6