



US00D595388S

(12) **United States Design Patent**
Leonard et al.

(10) **Patent No.:** **US D595,388 S**
(45) **Date of Patent:** **** Jun. 30, 2009**

- (54) **DISPENSER MOUNTING DEVICE**
- (75) Inventors: **Stephen B. Leonard**, Franksville, WI (US); **Timothy R. Ordiway**, Racine, WI (US); **Jeffrey L. Crull**, McFarland, WI (US); **Jonathan M. Mick**, Marshall, WI (US)
- (73) Assignee: **S. C. Johnson & Son, Inc.**, Racine, WI (US)
- (**) Term: **14 Years**

- D444,978 S 7/2001 Kauzlarich et al.
- 6,389,610 B1 5/2002 Hautmann et al.
- 6,434,758 B2 8/2002 Camp et al.
- 6,505,356 B1 1/2003 Leonard et al.
- 6,519,783 B2 2/2003 Falchieri
- D477,956 S 8/2003 Grisdale et al.
- D481,896 S 11/2003 Shaanan
- 6,651,261 B1 11/2003 Leonard et al.
- 6,691,329 B2 2/2004 Slade
- 6,820,821 B2 11/2004 Linstedt et al.
- D499,295 S 12/2004 Grisdale et al.
- D500,548 S 1/2005 Conway et al.
- 6,898,806 B2 5/2005 Keramidas

(21) Appl. No.: **29/333,579**

(Continued)

(22) Filed: **Mar. 12, 2009**

Primary Examiner—Robin V Webster

Related U.S. Application Data

(62) Division of application No. 29/289,754, filed on Jul. 31, 2007, now Pat. No. Des. 591,824.

(51) **LOC (9) Cl.** **23-01**

(52) **U.S. Cl.** **D23/208**

(58) **Field of Classification Search** D23/207, D23/208, 209; 4/223, 225.1, 227.1, 231
See application file for complete search history.

(56) **References Cited**

U.S. PATENT DOCUMENTS

- 3,342,379 A 9/1967 Foley
- D217,872 S 6/1970 Sessions
- D228,994 S 11/1973 Reinecke et al.
- D273,607 S 4/1984 Joyaux et al.
- RE32,017 E 11/1985 Hautmann et al.
- 4,555,819 A 12/1985 Weiss et al.
- 4,560,108 A 12/1985 Rubinstein
- 4,660,765 A 4/1987 Rosenberg
- 4,763,839 A 8/1988 Greenberg
- 4,817,869 A 4/1989 Rubinstein
- D419,347 S 1/2000 Leonard
- D423,639 S 4/2000 Leonard
- D436,160 S 1/2001 Leonard et al.
- 6,178,564 B1 1/2001 Leonard et al.
- 6,230,334 B1 5/2001 Camp et al.

(57) **CLAIM**

The ornamental design for a dispenser mounting device, as shown and described.

DESCRIPTION

In a preferred embodiment, the nature of this product is as a mounting for a liquid dispensing device for dispensing liquids from the rim of a toilet.

FIG. 1 is a top, left, front perspective view of a dispenser mounting device embodying our new design;

FIG. 2 is a front elevational view thereof;

FIG. 3 is a left elevational view thereof;

FIG. 4 is a right elevational view thereof;

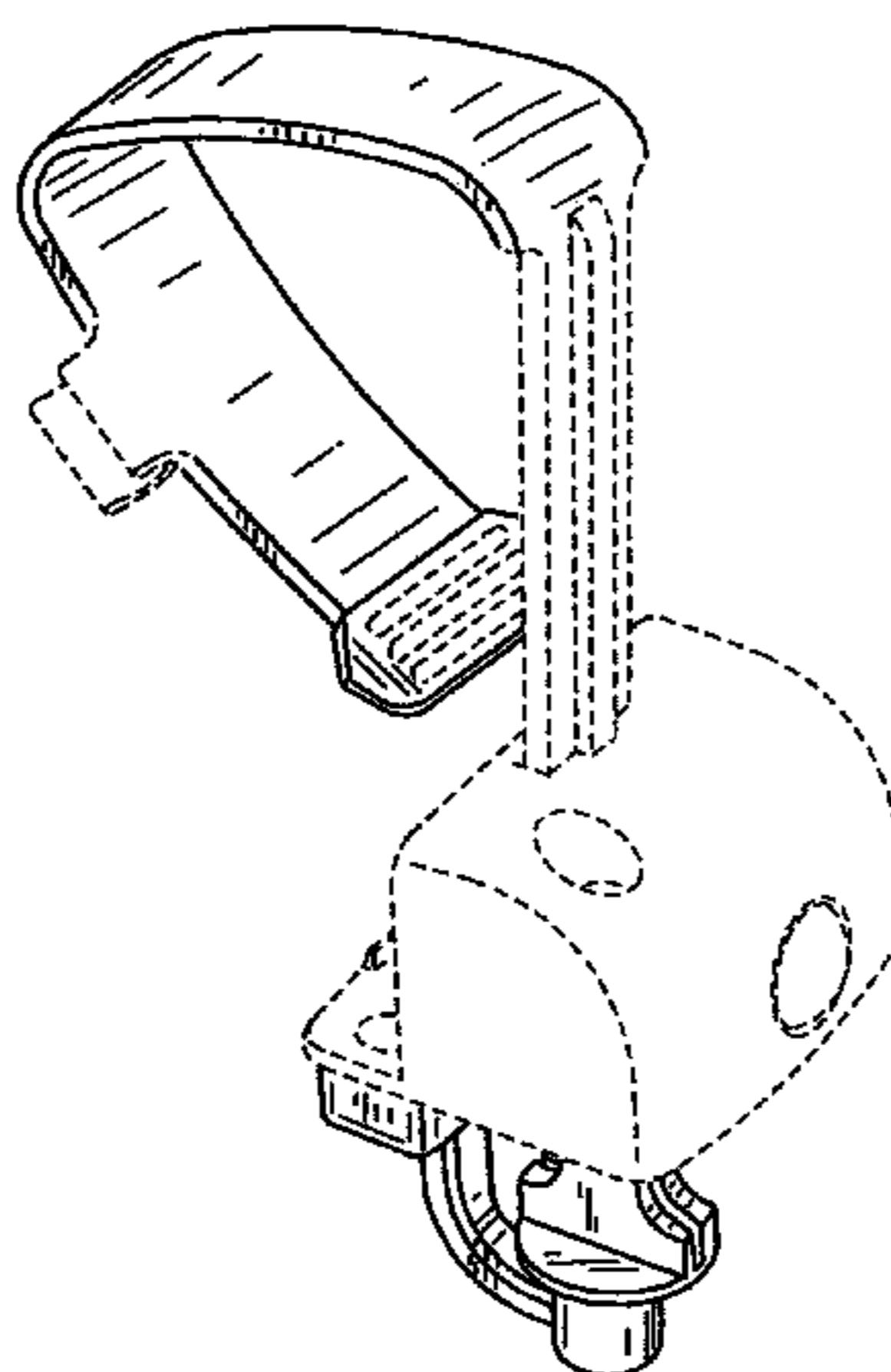
FIG. 5 is a rear elevational view thereof;

FIG. 6 is a top plan view thereof; and,

FIG. 7 is a bottom plan view thereof.

The broken line representations of a base in FIGS. 1–7, of a hook mounting structure in FIGS. 1–6, of a hose clip in FIGS. 1–7, of a hose inlet in FIGS. 1, 2 and 6, of grips in FIGS. 1–4, of a screw hole in FIGS. 1 and 6, and of a lens in FIGS. 1–4, 6 and 7, are for illustrative purposes only and form no part of the claimed design.

1 Claim, 4 Drawing Sheets



US D595,388 S

Page 2

U.S. PATENT DOCUMENTS

6,976,277 B2	12/2005	Keramidas	D540,907 S	4/2007	Liu
7,021,494 B2	4/2006	Mazooji et al.	7,234,175 B2	6/2007	Wilson et al.
7,114,199 B2	10/2006	Conway et al.	D558,856 S	1/2008	King
			2002/0083514 A1	7/2002	Lhoste
			2007/0136937 A1	6/2007	Sawalski et al.

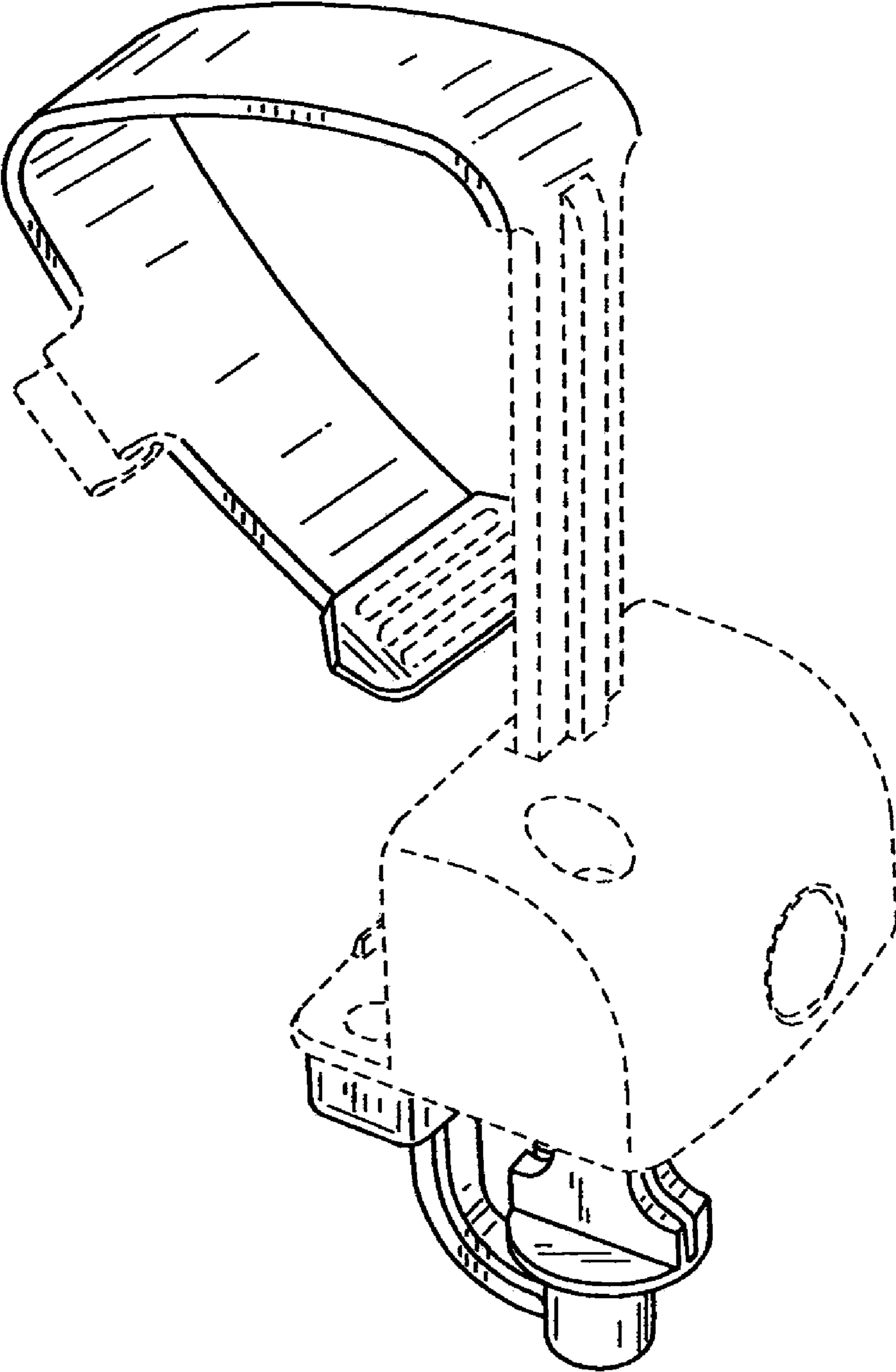


FIG. 1

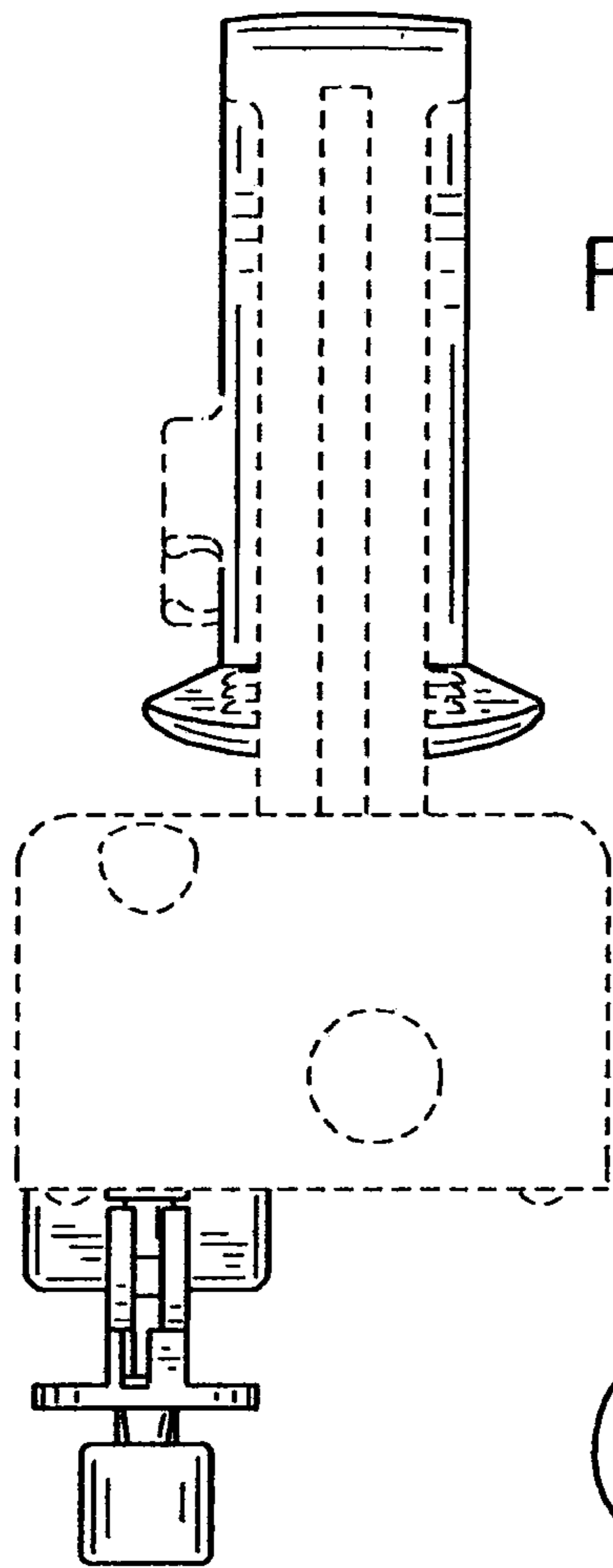


FIG. 2

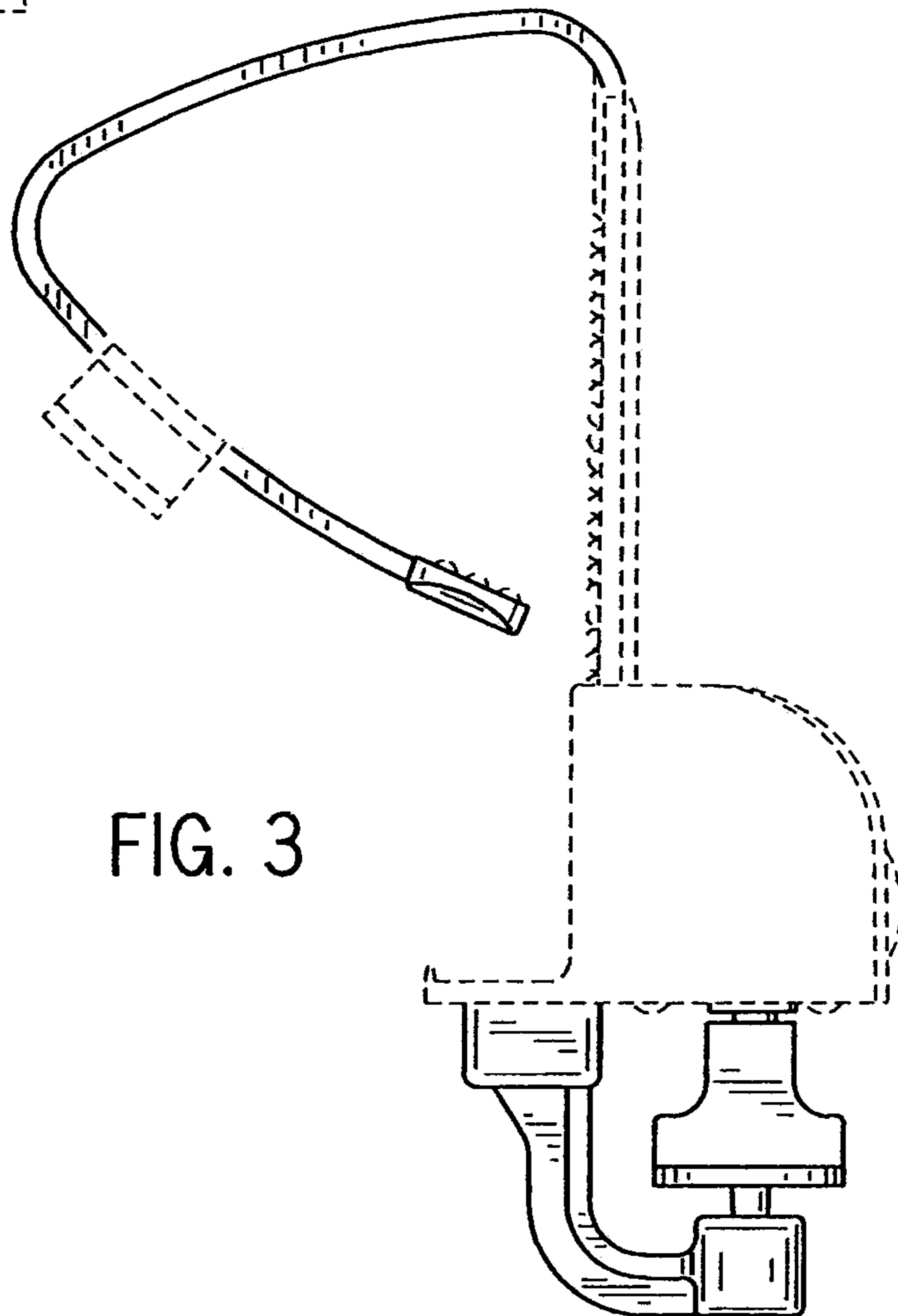


FIG. 3

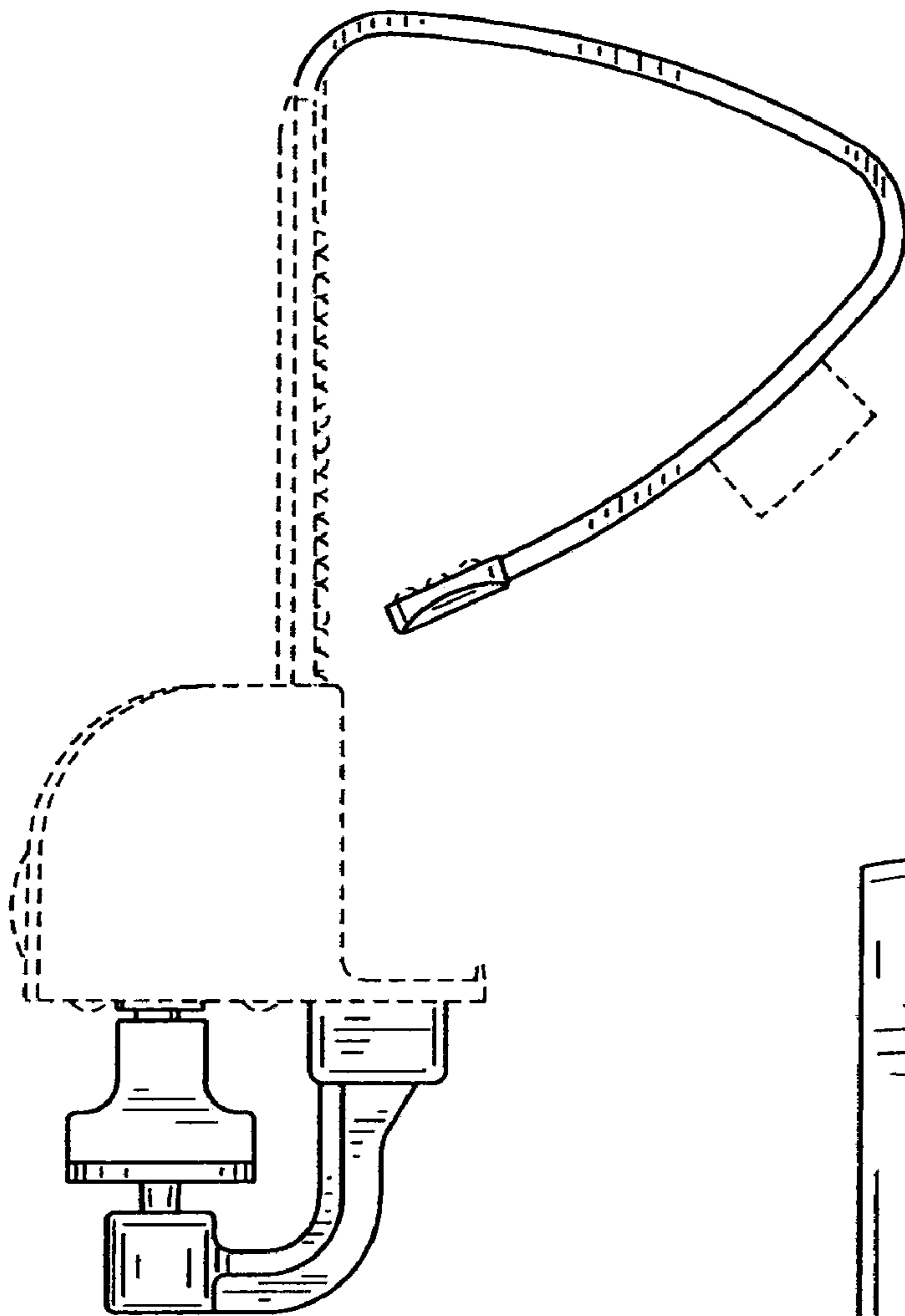


FIG. 4

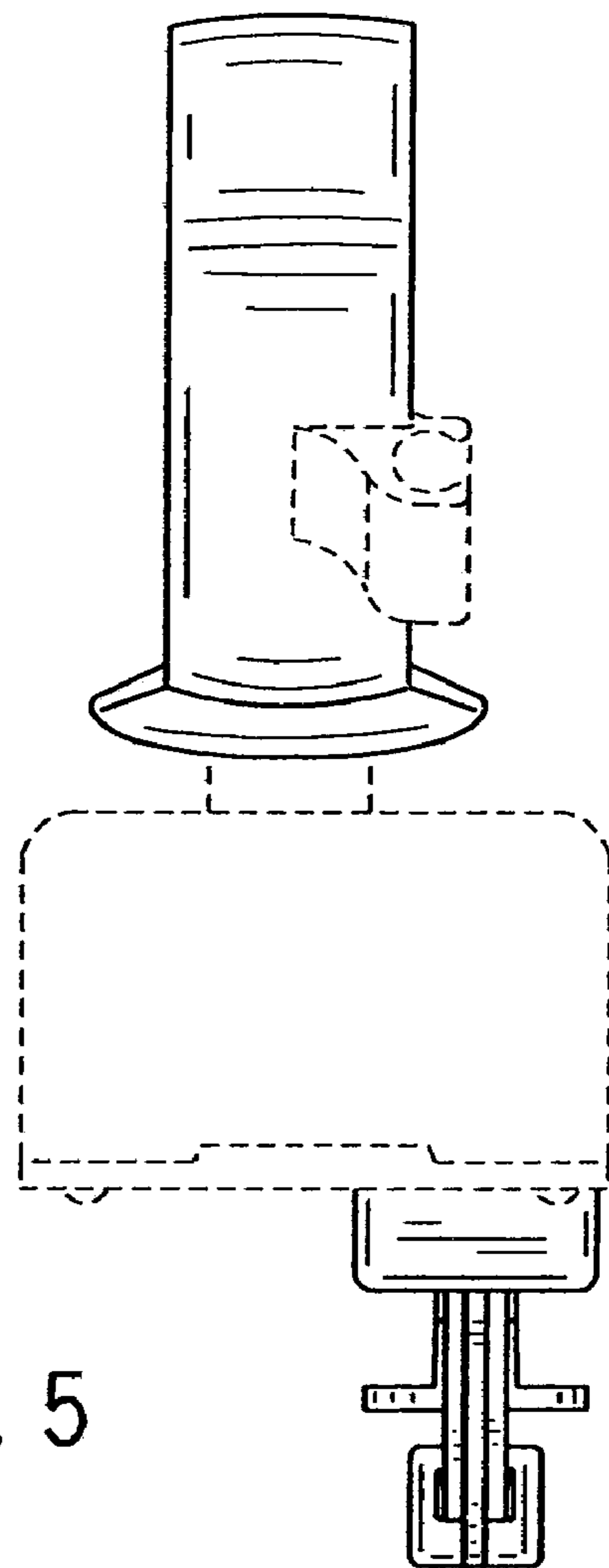


FIG. 5

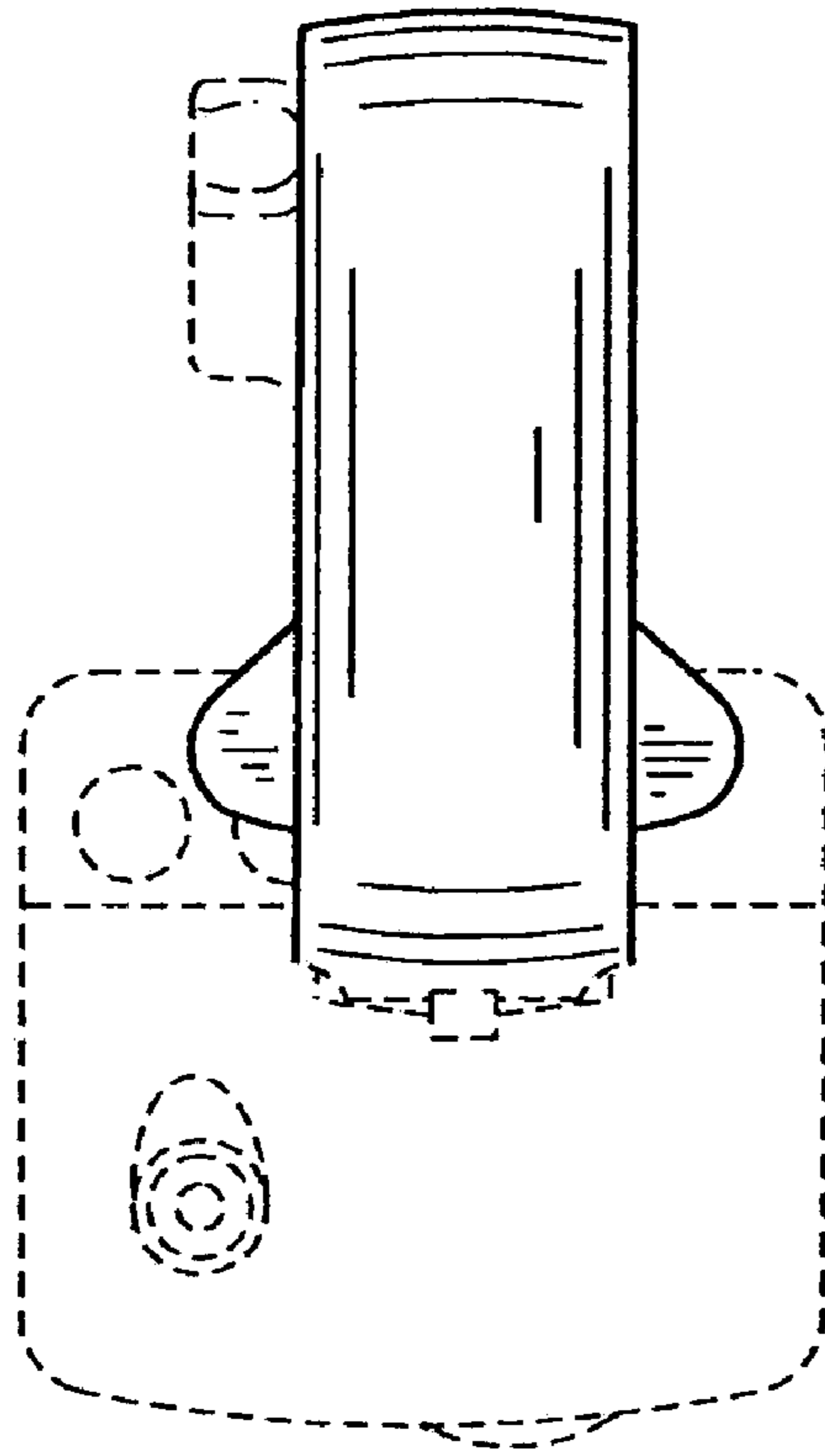


FIG. 6

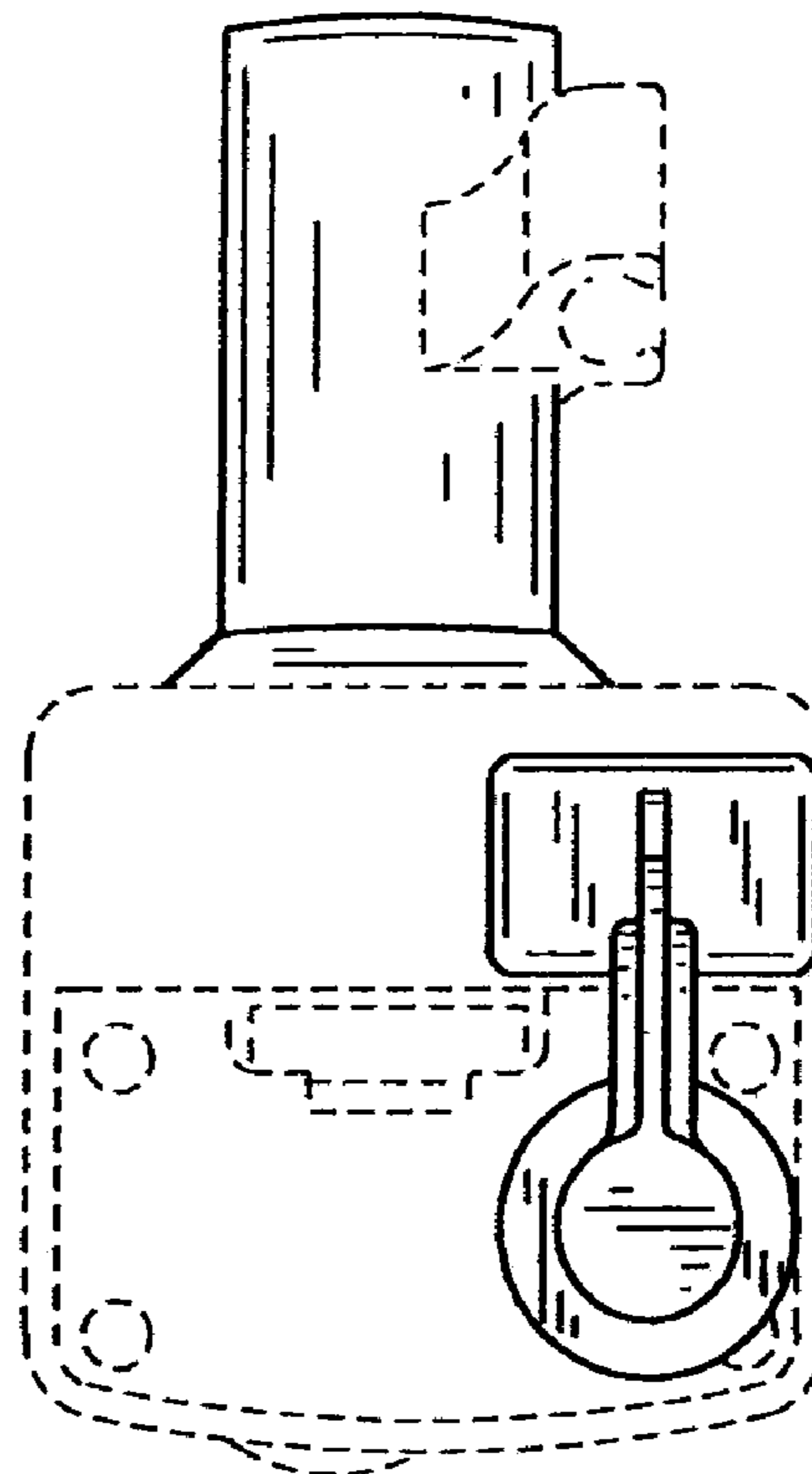


FIG. 7