



US00D595386S

(12) **United States Design Patent**  
**Nago**

(10) **Patent No.:** **US D595,386 S**  
(45) **Date of Patent:** **\*\* Jun. 30, 2009**

(54) **FISHING REEL**

(75) Inventor: **Akira Nago**, Osaka (JP)

(73) Assignee: **Shimano Inc.**, Osaka (JP)

(\*\*) Term: **14 Years**

(21) Appl. No.: **29/326,905**

(22) Filed: **Oct. 27, 2008**

(30) **Foreign Application Priority Data**

Jul. 15, 2008 (JP) ..... 2008-0018266

(51) **LOC (9) Cl.** ..... **22-05**

(52) **U.S. Cl.** ..... **D22/141**

(58) **Field of Classification Search** ..... D22/141,  
D22/140, 137-139; 242/223, 310, 314, 370;  
43/19-21

See application file for complete search history.

(56) **References Cited**

**U.S. PATENT DOCUMENTS**

D414,237 S \* 9/1999 Kang et al. .... D22/141

D497,969 S \* 11/2004 Iwabuchi ..... D22/141

D500,354 S \* 12/2004 Iwabuchi ..... D22/141

D500,835 S \* 1/2005 Iwabuchi ..... D22/141

\* cited by examiner

*Primary Examiner*—Catherine R Oliver

(74) *Attorney, Agent, or Firm*—Global IP Counselors, LLP

(57) **CLAIM**

The ornamental design for a fishing reel, as shown and described.

**DESCRIPTION**

FIG. 1 is a top left side perspective view of a fishing reel in accordance with my new design;

FIG. 2 is a bottom right side perspective view of the fishing reel of FIG. 1;

FIG. 3 is top right side perspective view of the fishing reel of FIG. 1;

FIG. 4 is a left side elevational view of the fishing reel of FIG. 1; and

FIG. 5 is a right side elevational view of the fishing reel of FIG. 1;

FIG. 6 is a rear end elevational view of the fishing reel of FIG. 1;

FIG. 7 is a front end elevational view of the fishing reel of FIG. 1;

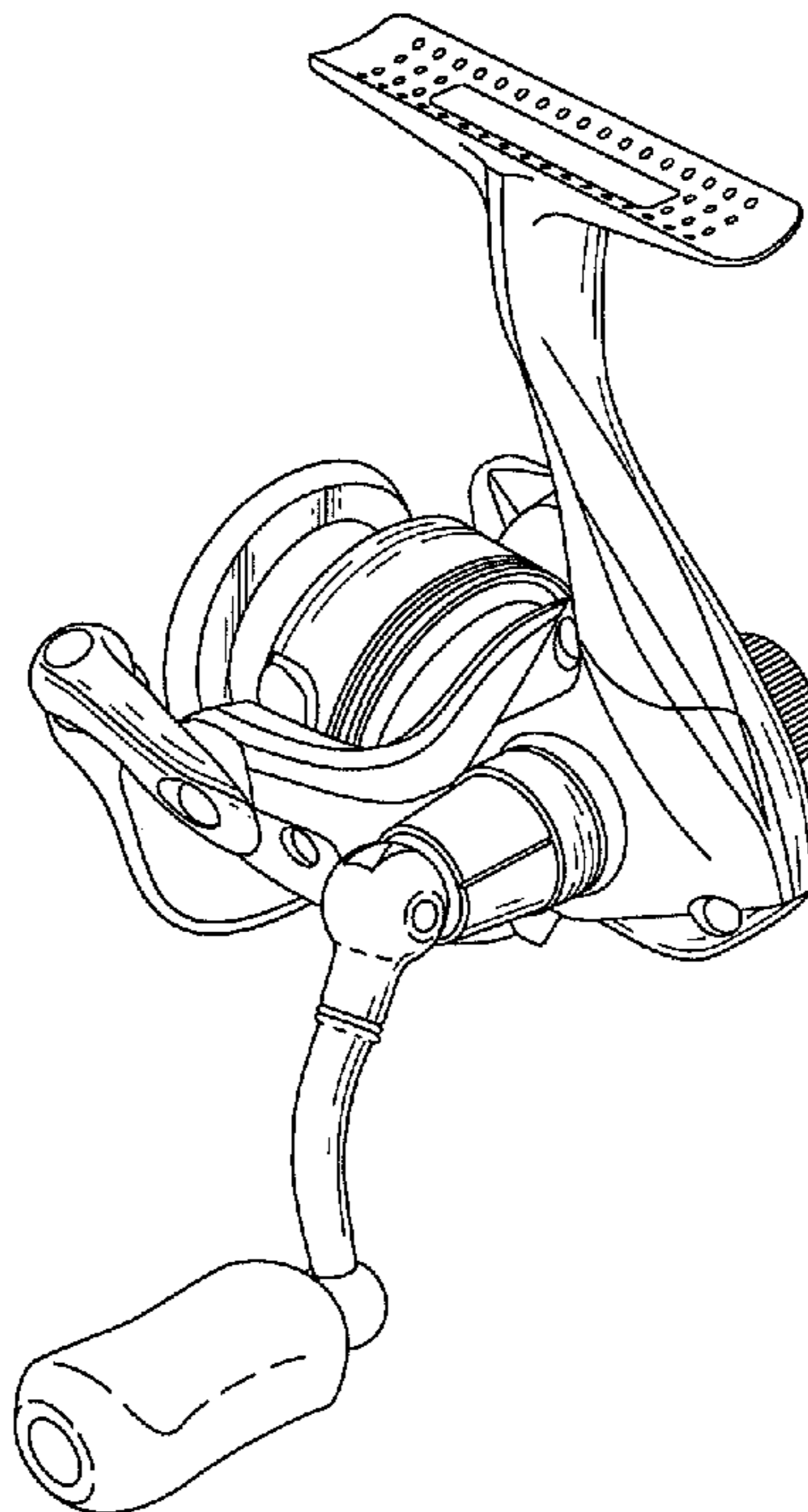
FIG. 8 is a top plan view of the fishing reel of FIG. 1;

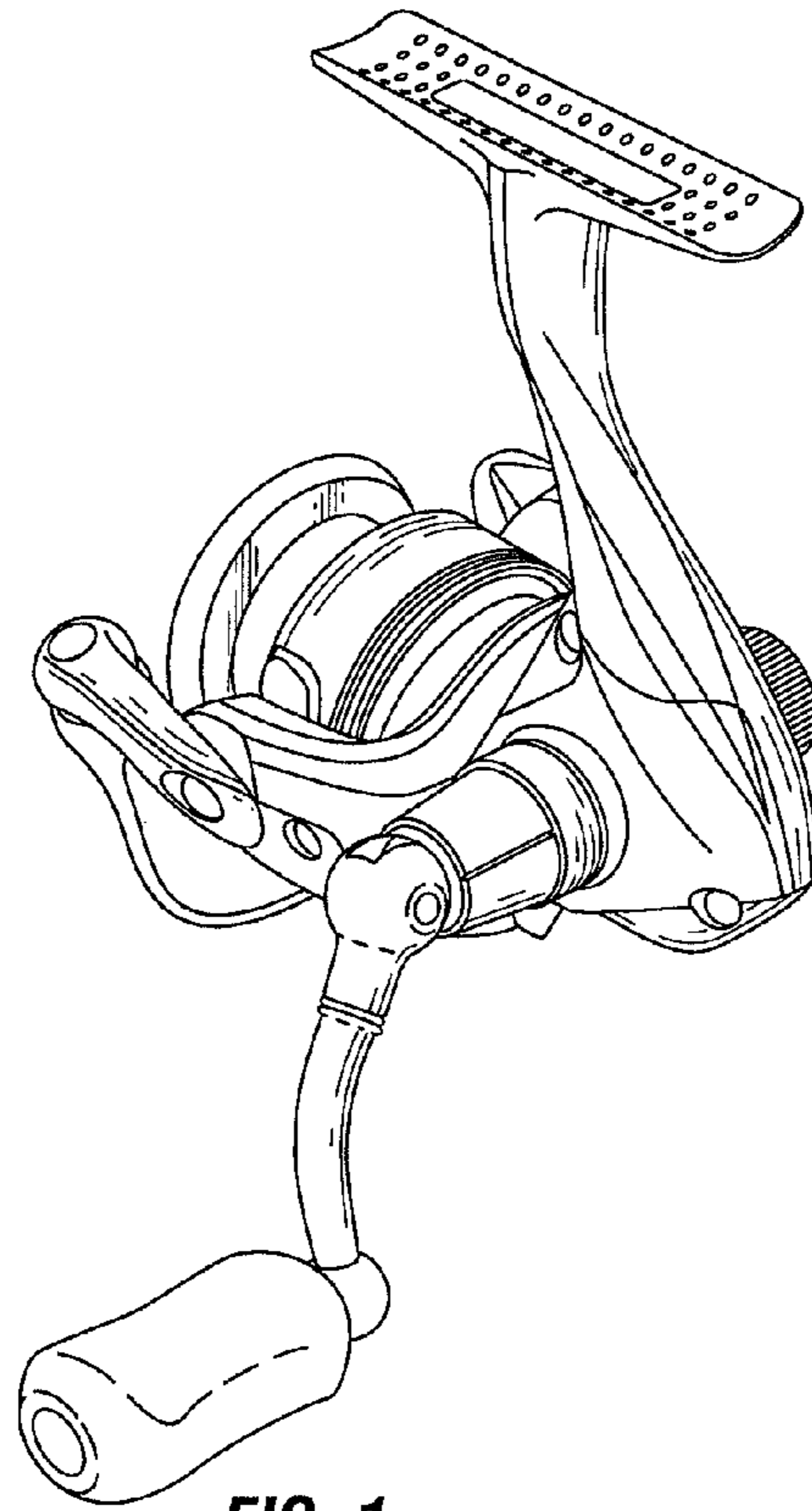
FIG. 9 is a bottom plan view of the fishing reel of FIG. 1;

FIG. 10 is a partial enlarged rear perspective view of the fishing reel of FIG. 1; and,

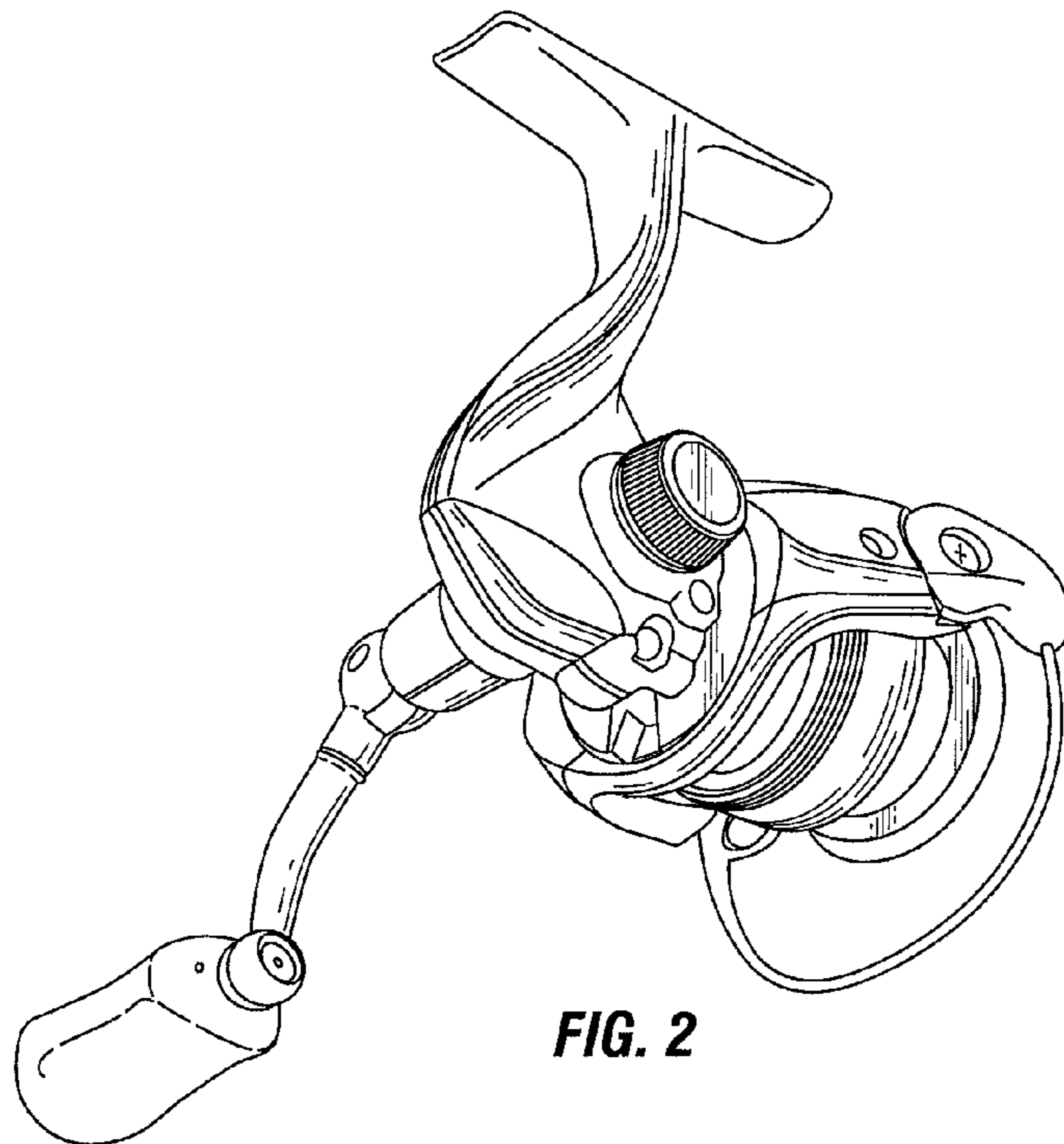
FIG. 11 is a partial enlarged rear perspective view of the fishing reel of FIG. 1.

**1 Claim, 6 Drawing Sheets**

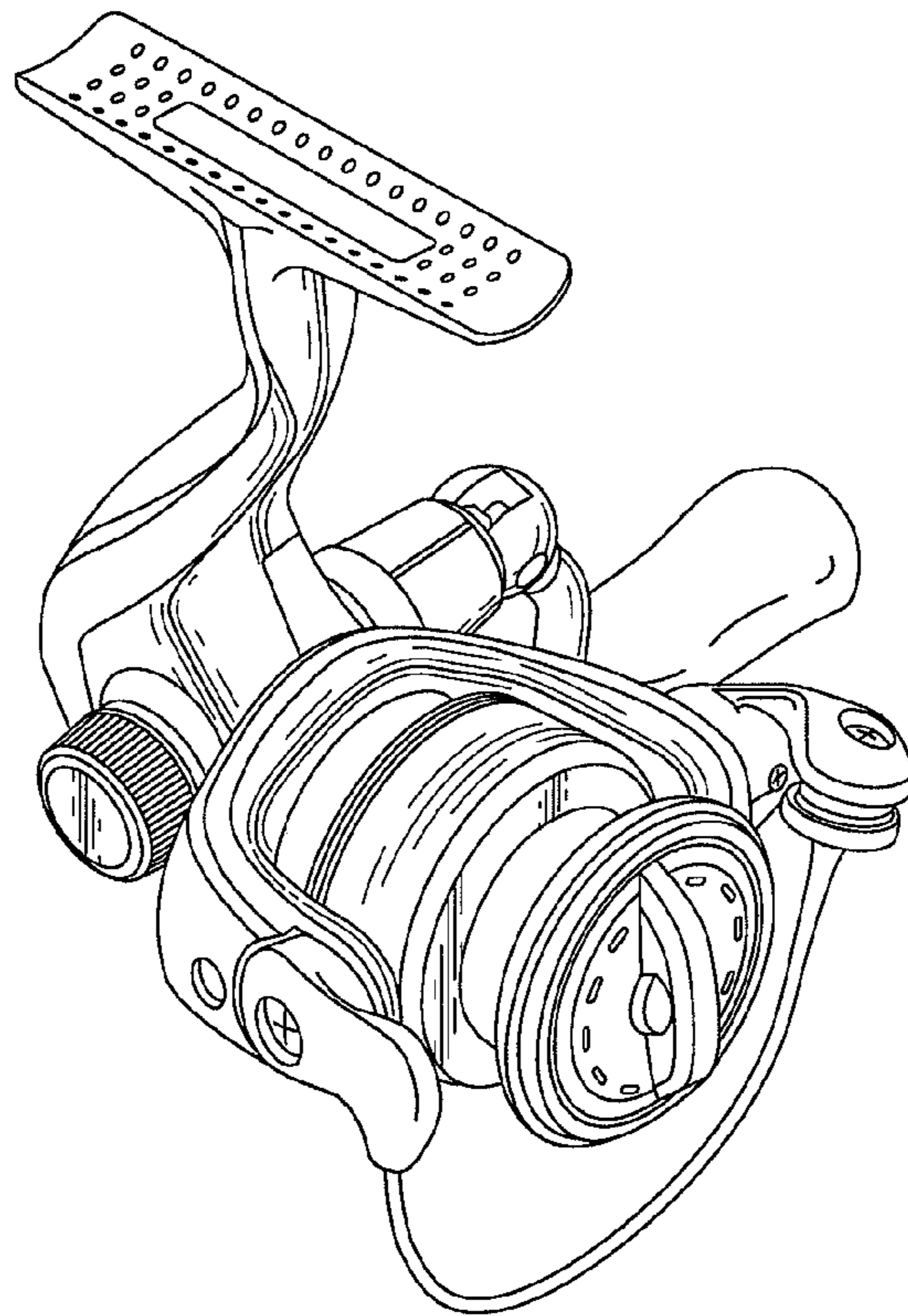




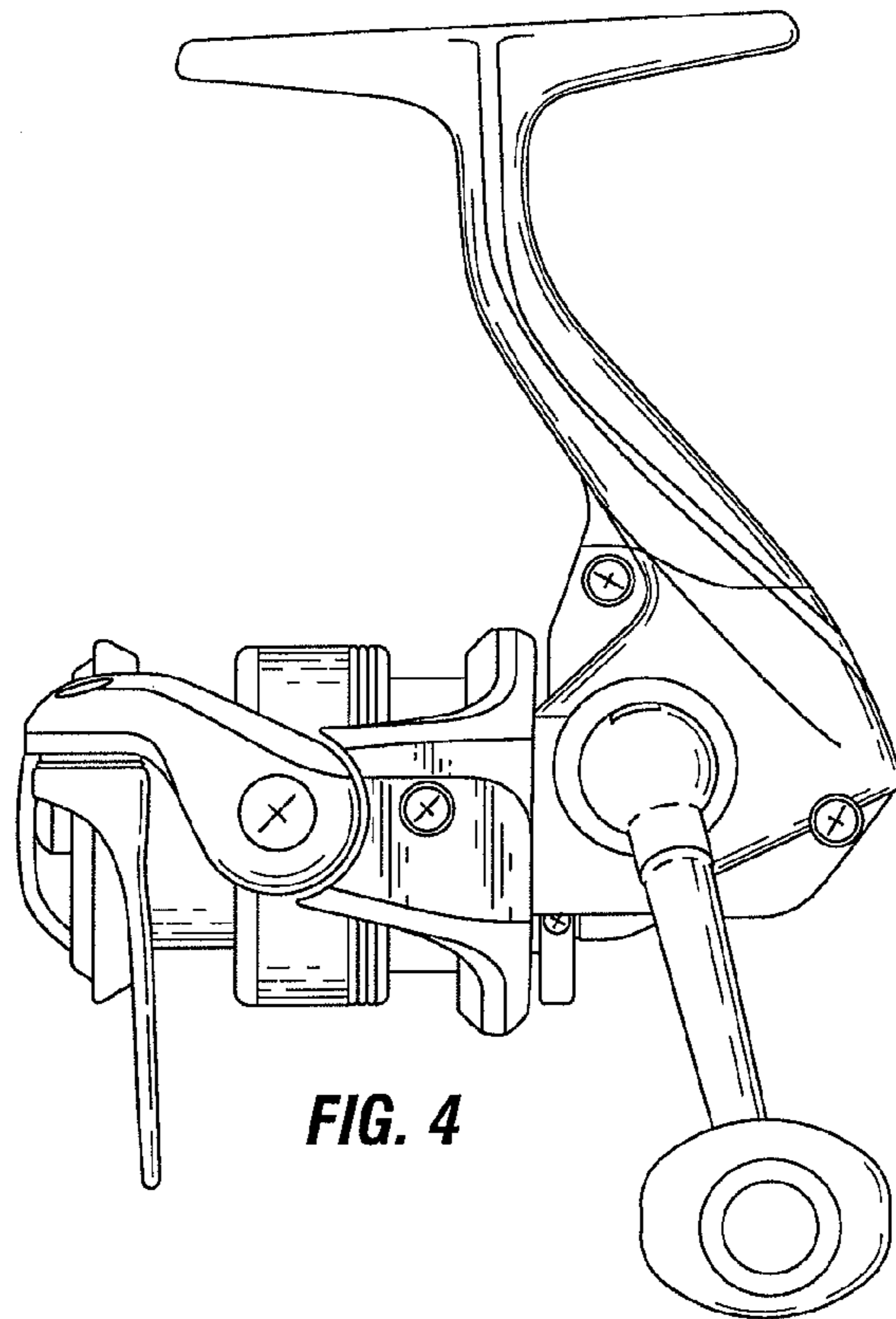
**FIG. 1**



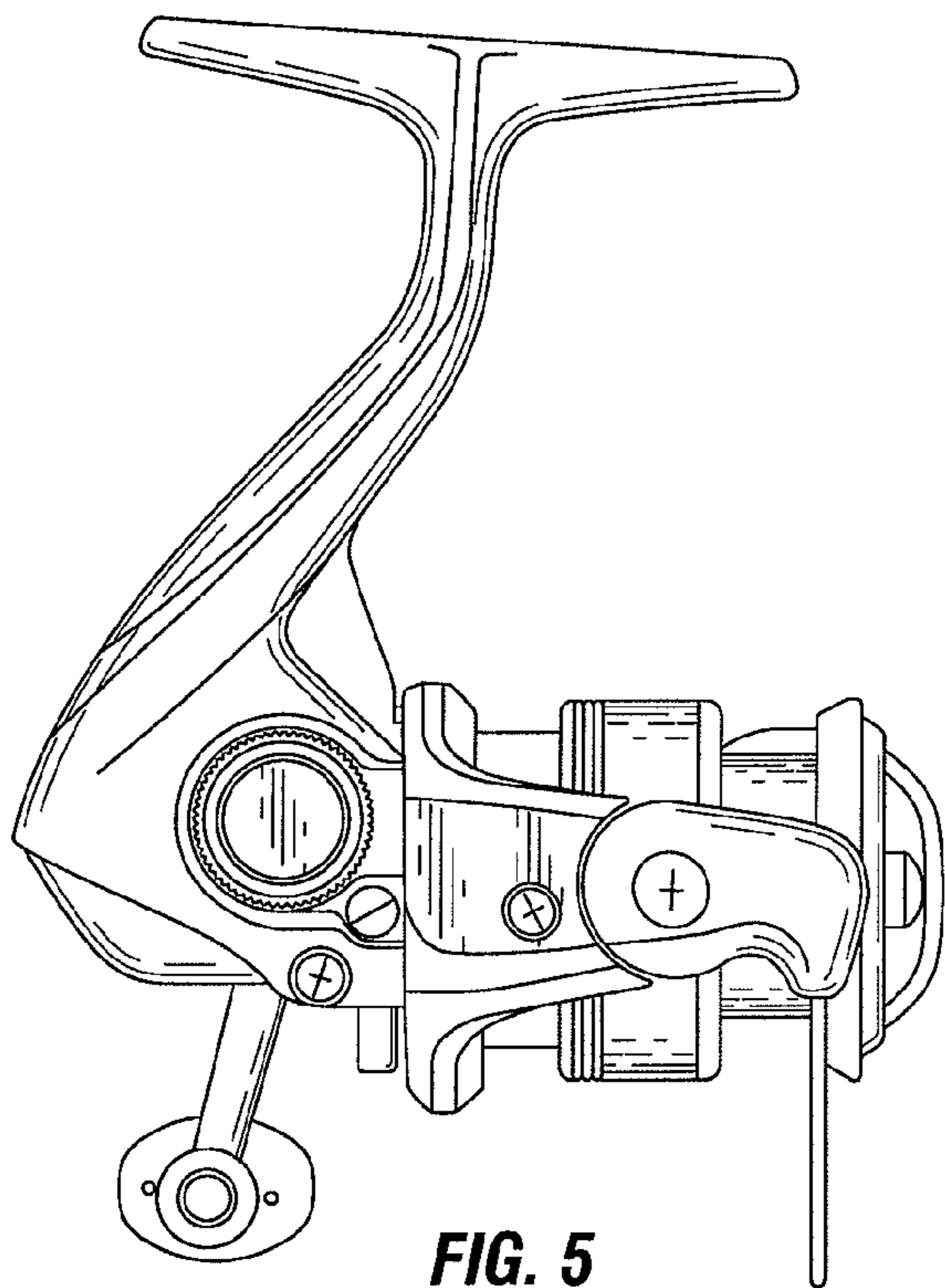
**FIG. 2**



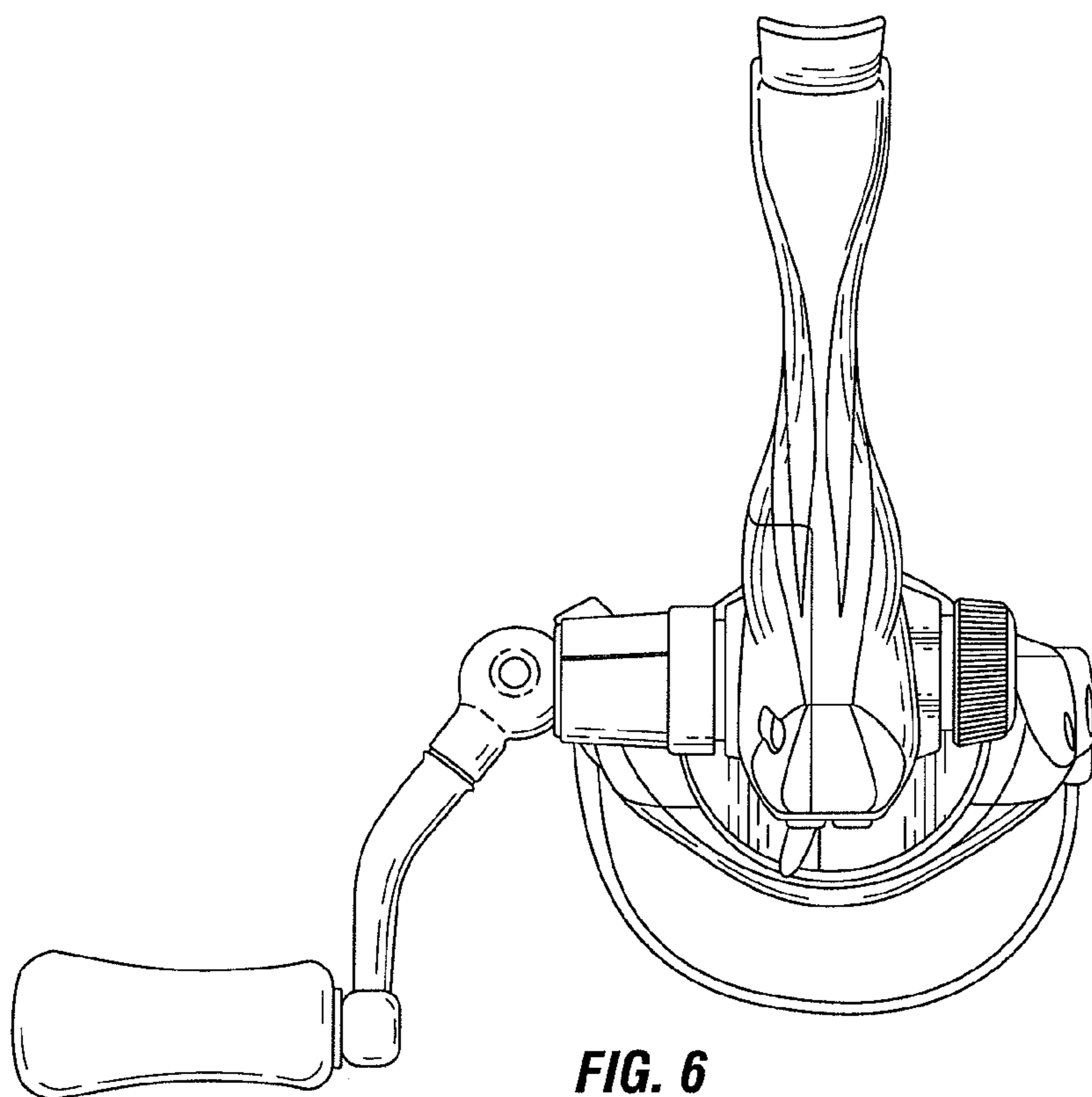
**FIG. 3**



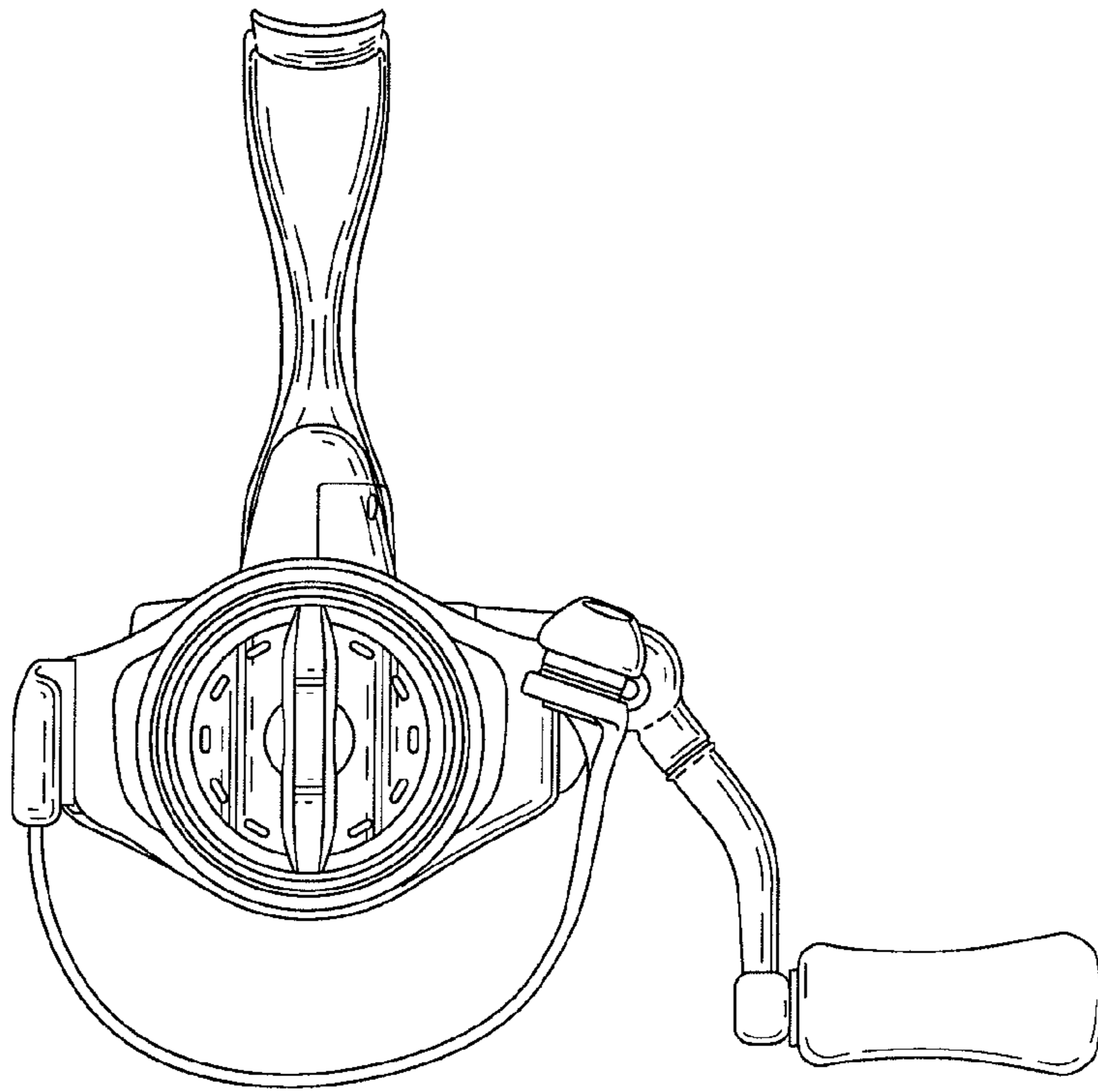
**FIG. 4**



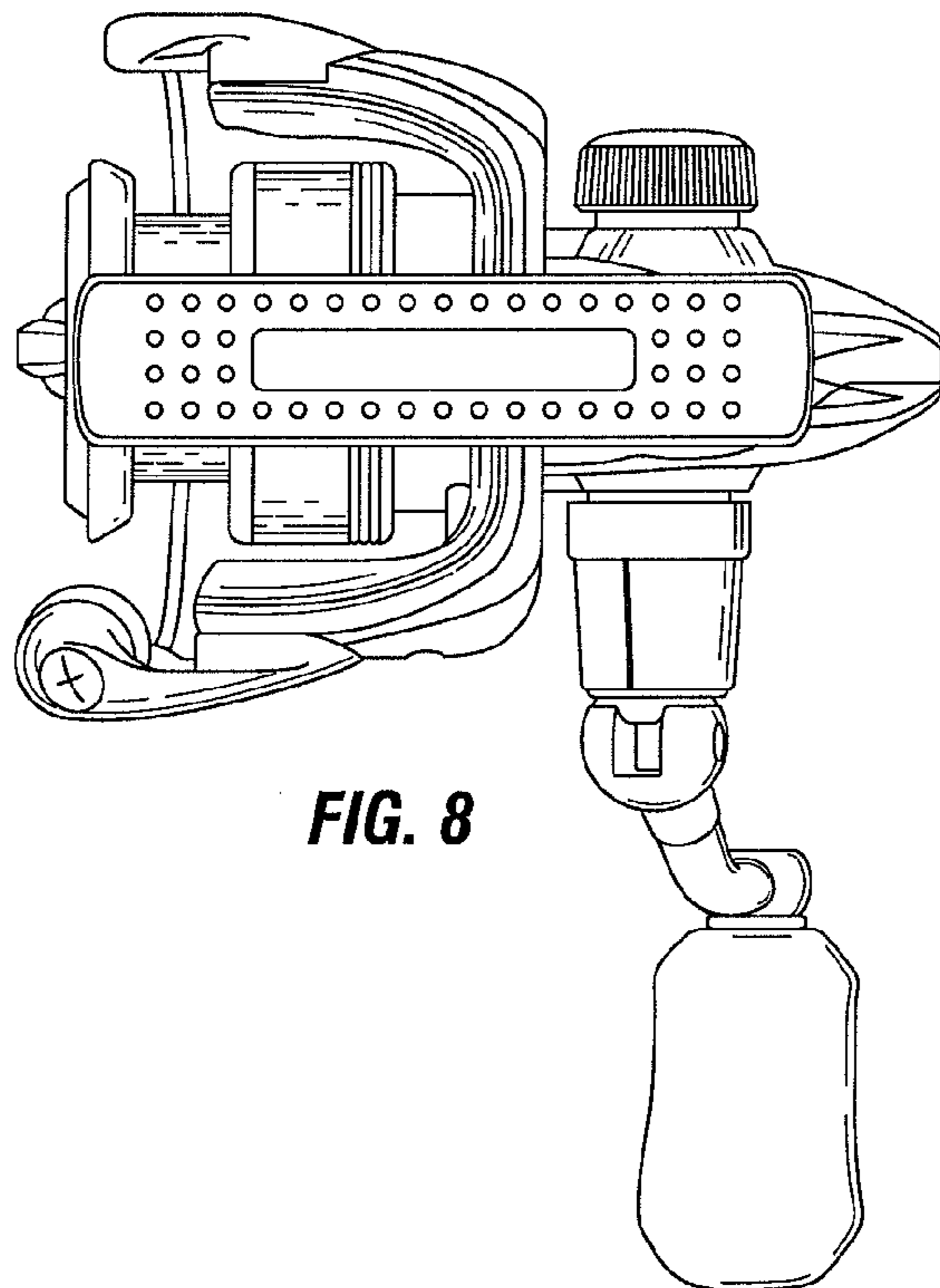
**FIG. 5**



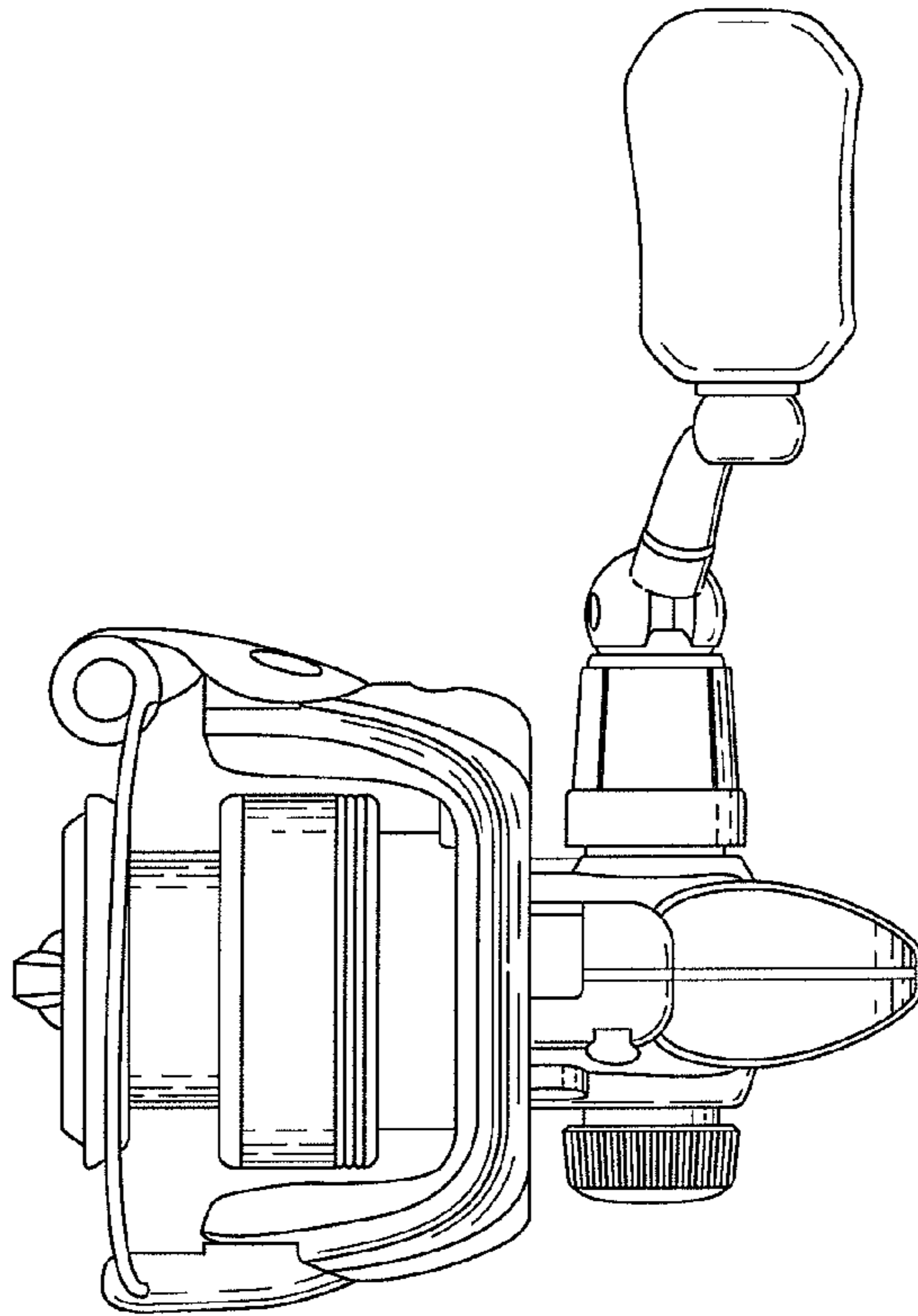
**FIG. 6**



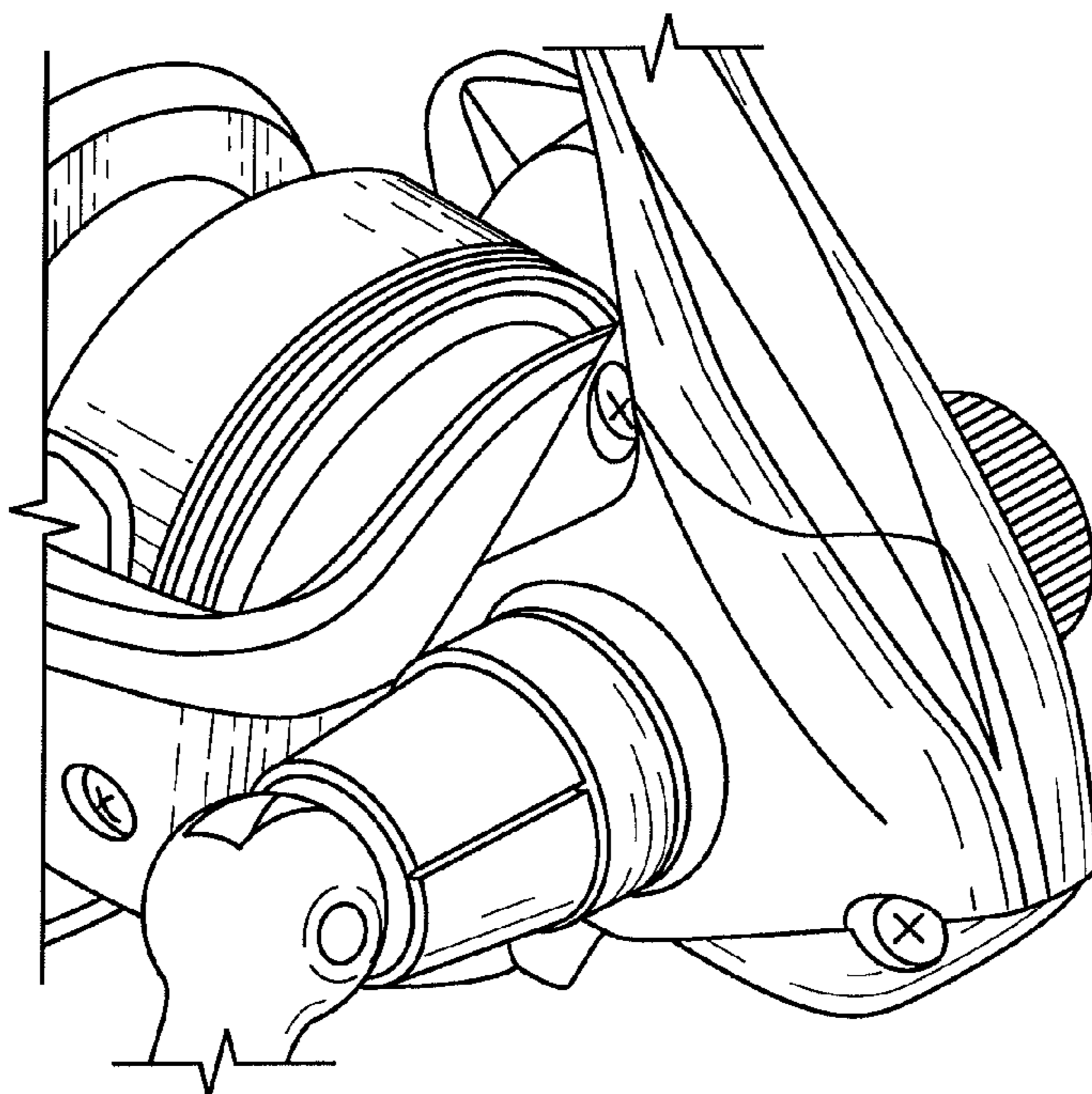
**FIG. 7**



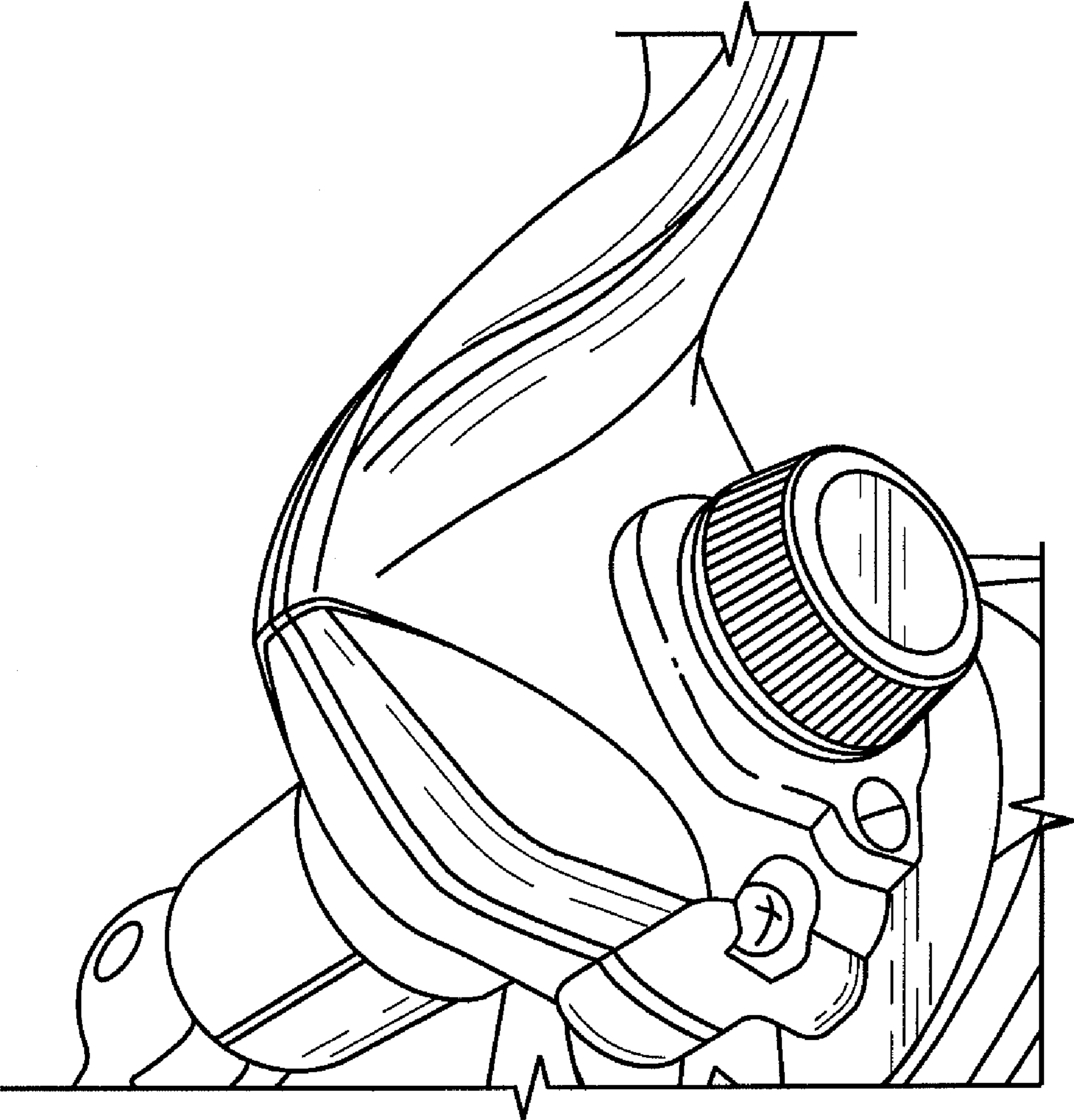
**FIG. 8**



**FIG. 9**



**FIG. 10**



**FIG. 11**