

US00D595383S

(12) **United States Design Patent**
Taggart et al.

(10) **Patent No.:** **US D595,383 S**
(45) **Date of Patent:** **** Jun. 30, 2009**

(54) **RACK**

(75) Inventors: **Terry Taggart**, Parker, CO (US);
Charlie Dittrick, Parker, CO (US);
Angel Preciado, Parker, CO (US); **Doug Wathen**, Parker, CO (US); **Carlos Babb**, Parker, CO (US); **Eric Sanchez**, Parker, CO (US)

(73) Assignee: **Taggart Enterprises, Inc.**, Parker, CO (US)

(**) Term: **14 Years**

(21) Appl. No.: **29/327,613**

(22) Filed: **Nov. 10, 2008**

Related U.S. Application Data

(63) Continuation of application No. 29/297,607, filed on Nov. 14, 2007, now Pat. No. Des. 588,669.

(51) **LOC (9) Cl.** **21-01**

(52) **U.S. Cl.** **D21/782**

(58) **Field of Classification Search** D21/782-784, D21/385; 473/40, 41

See application file for complete search history.

(56) **References Cited**

U.S. PATENT DOCUMENTS

1,052,461 A * 2/1913 Chase 473/40
1,167,137 A * 1/1916 Treiber 473/40
1,299,471 A * 4/1919 Hornbostel 473/40
2,273,239 A * 2/1942 Weicker 473/40

2,324,945 A * 7/1943 Mistacu 235/91 B
D159,558 S * 8/1950 Sundell D21/782
3,680,859 A * 8/1972 English 473/40
3,794,319 A * 2/1974 Miller 473/41
D367,306 S * 2/1996 Fiscella D21/782
5,556,341 A * 9/1996 Bonn, Jr. 473/40
D454,380 S * 3/2002 Porper D21/782
6,561,603 B2 5/2003 Knab et al.
D529,116 S * 9/2006 Hathcock D21/782

OTHER PUBLICATIONS

Japanese Office Action, mailed Oct. 3, 2008, corresponding to the Japanese Design Application No. 2008-011143, 3 pages.

* cited by examiner

Primary Examiner—Prabhakar Deshmukh

(74) *Attorney, Agent, or Firm*—Fennemore Craig, P.C.

(57) **CLAIM**

The ornamental design for a rack, as shown and described.

DESCRIPTION

FIG. 1 is a perspective view of a rack showing our new design;

FIG. 2 is an another perspective view thereof;

FIG. 3 is a rear elevational view thereof;

FIG. 4 is a front elevational view thereof;

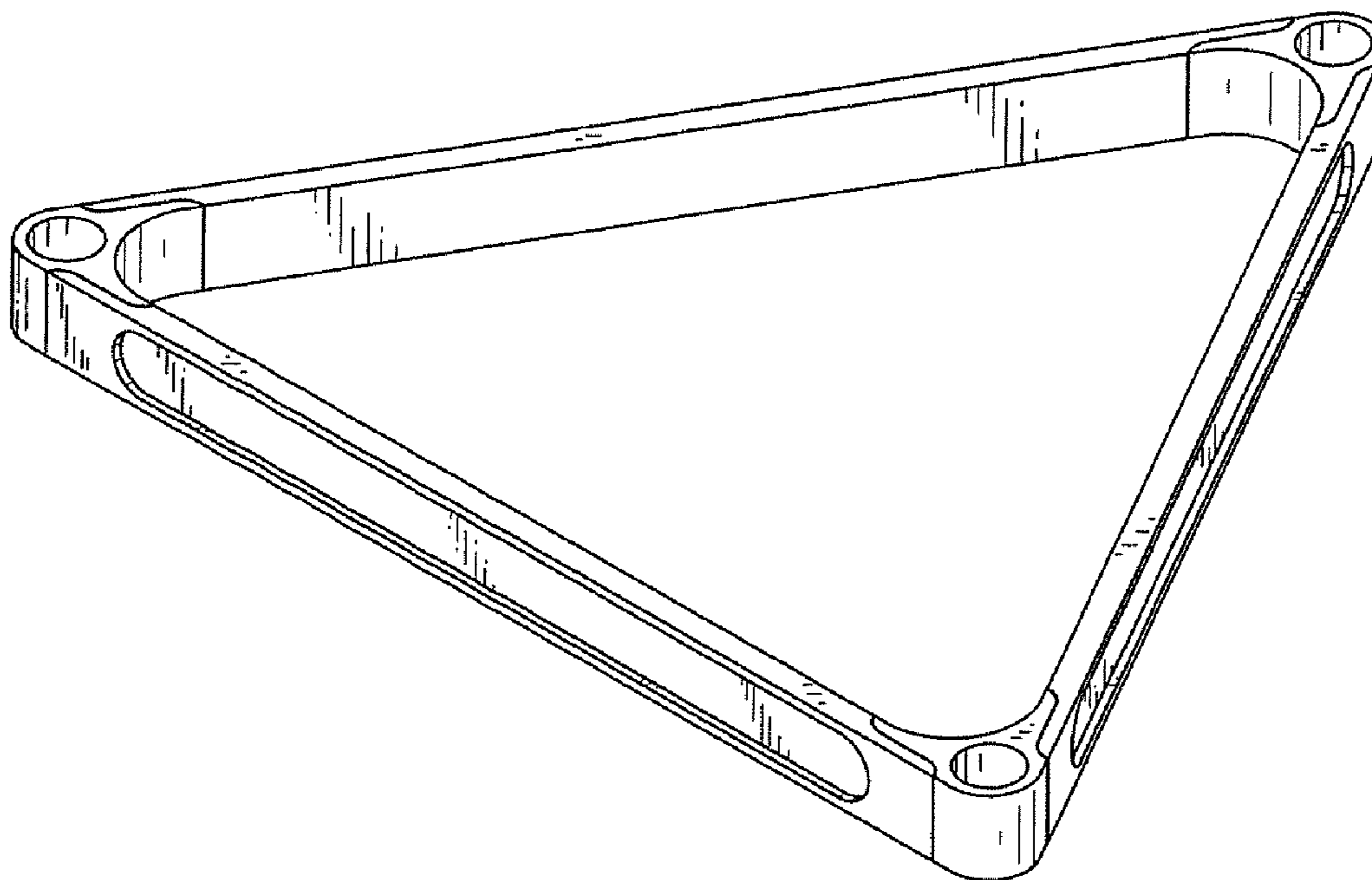
FIG. 5 is a left side elevational view thereof;

FIG. 6 is a right side elevational view thereof;

FIG. 7 is a top plan view thereof; and,

FIG. 8 is a bottom plan view thereof.

1 Claim, 6 Drawing Sheets



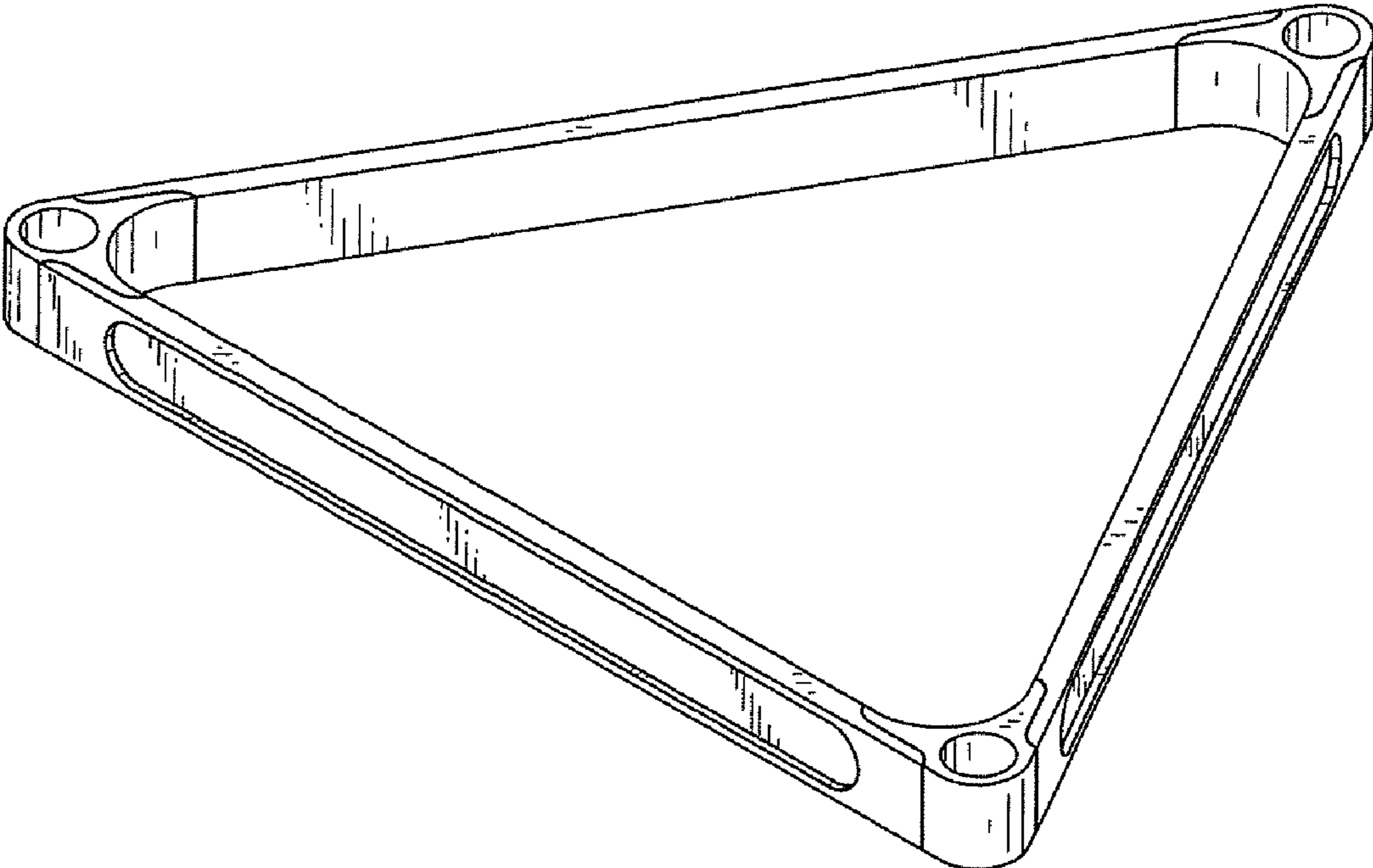


FIG.1

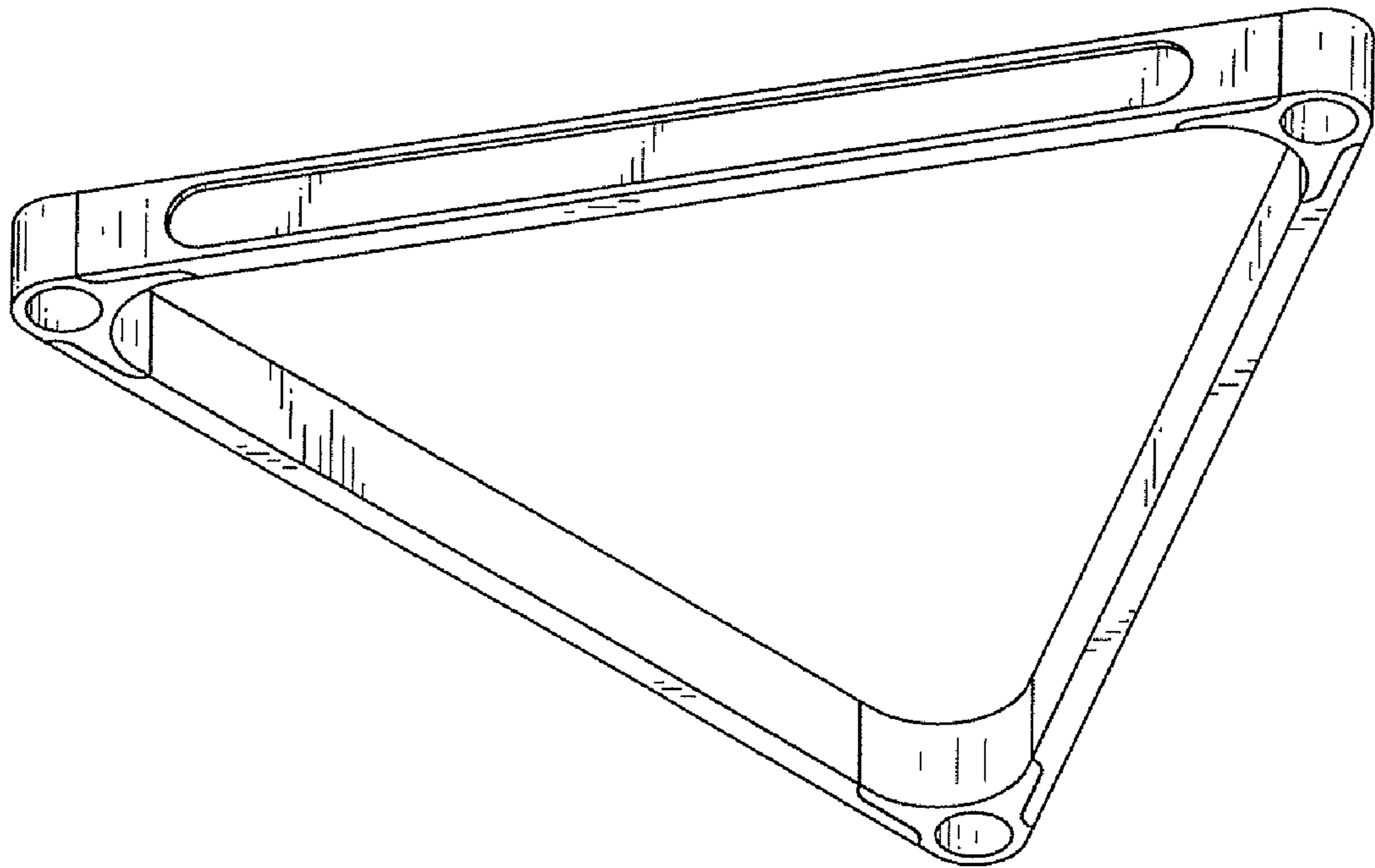


FIG.2

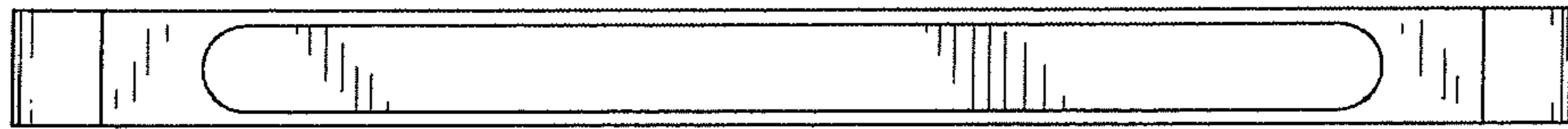


FIG.3

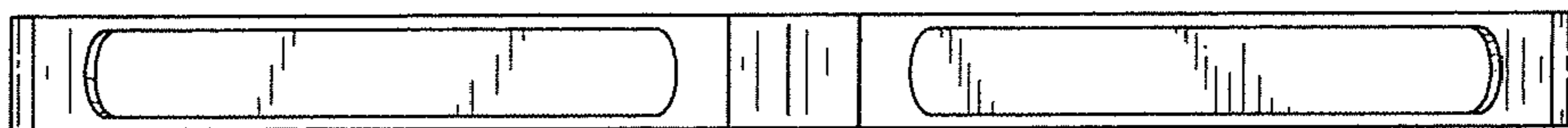


FIG.4

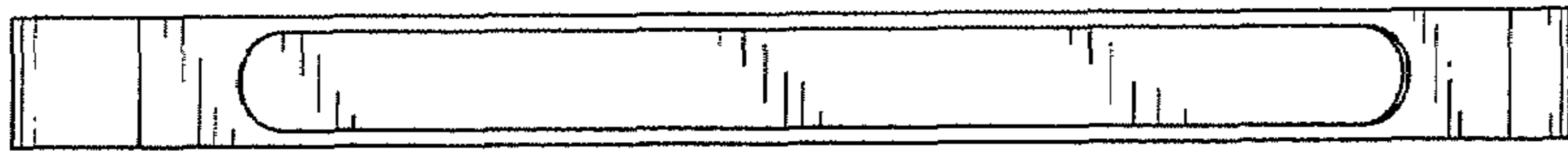


FIG.5

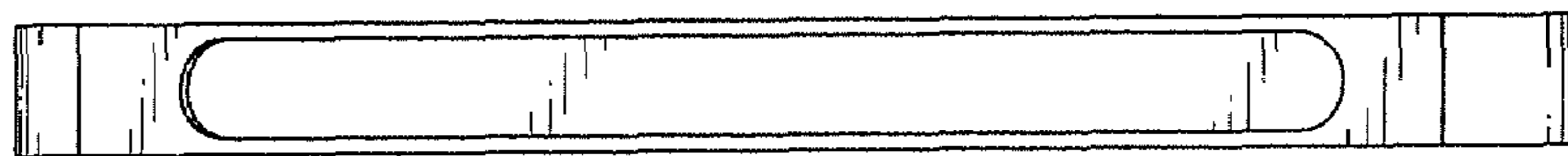


FIG.6

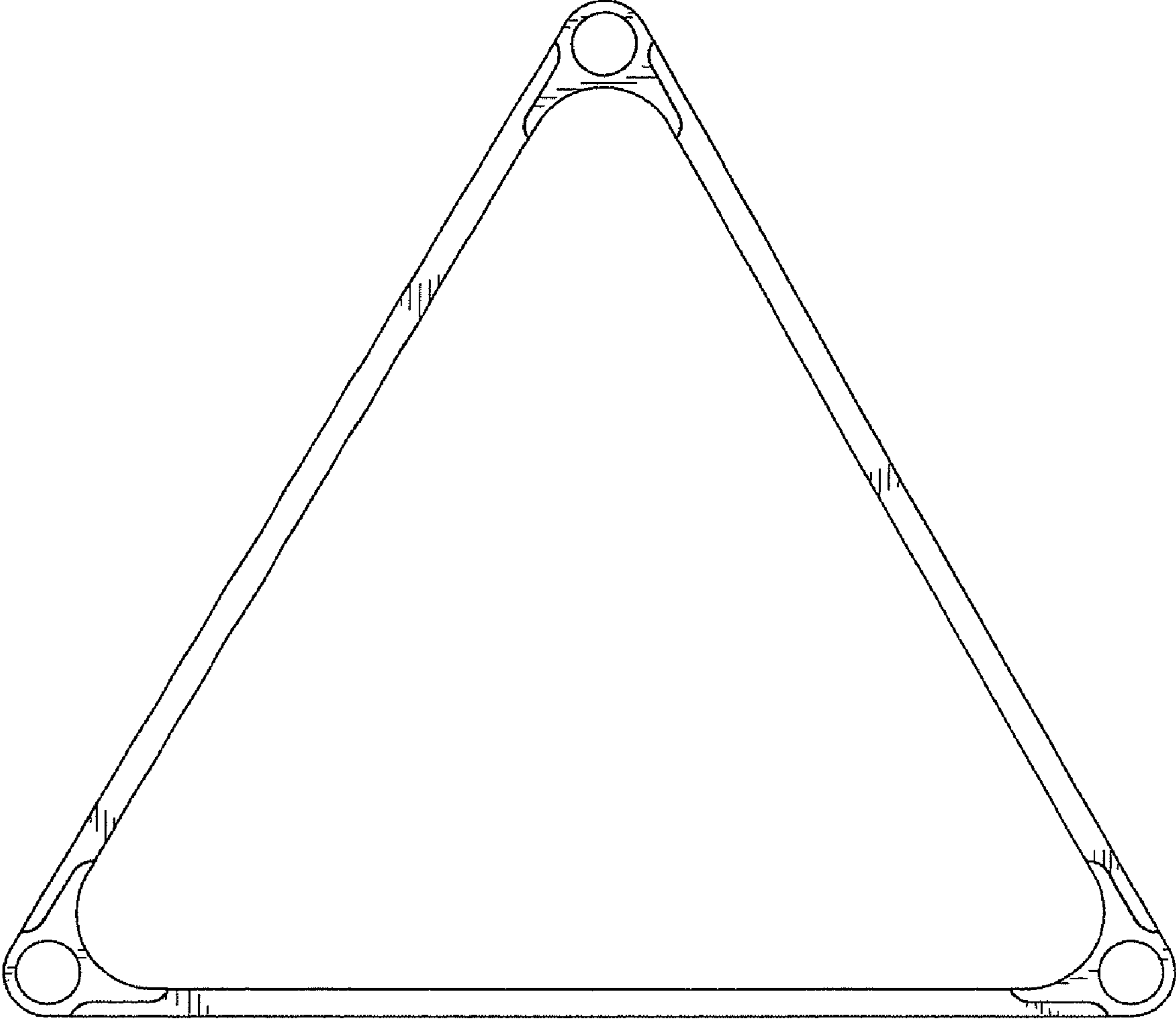


FIG.7

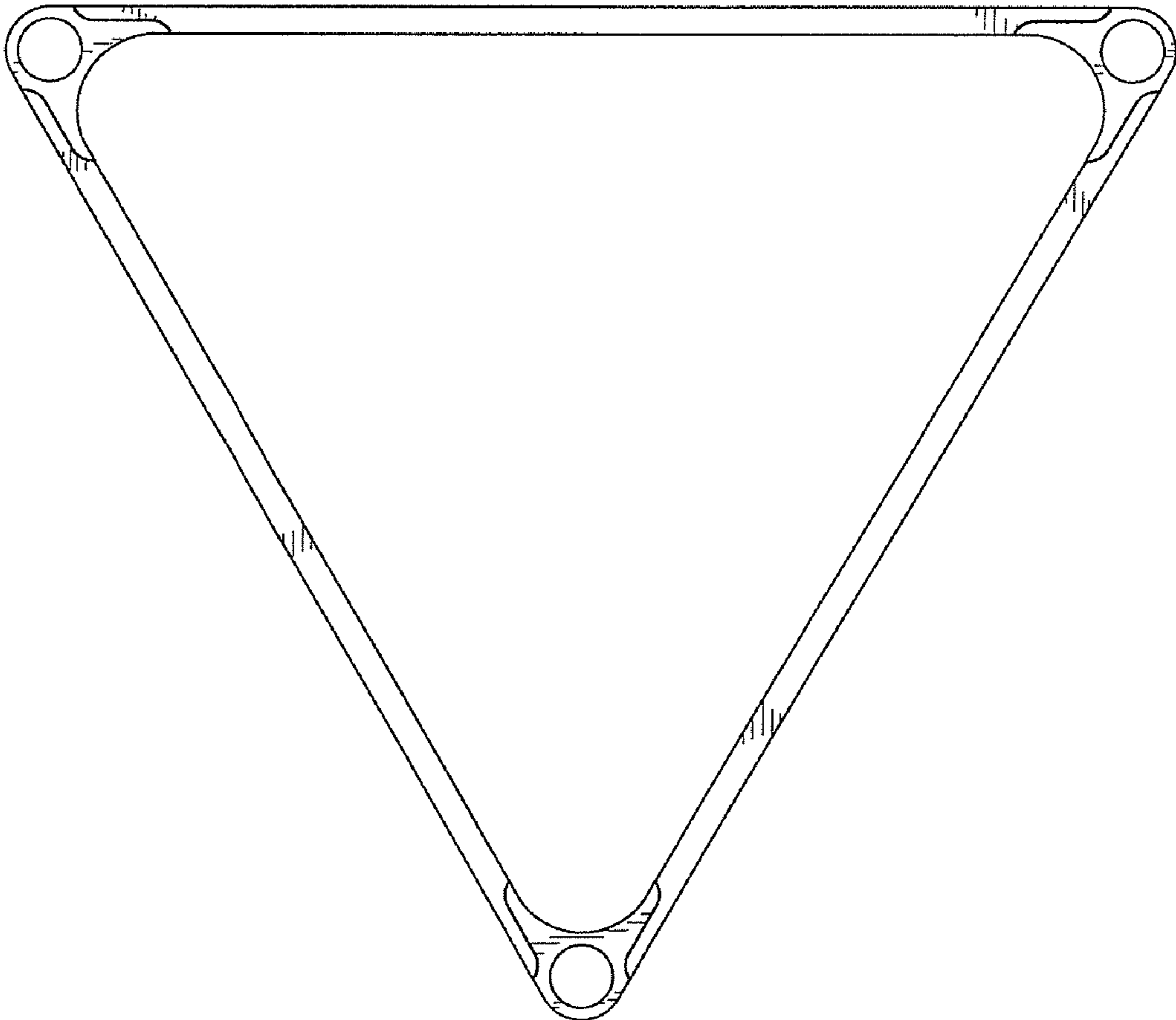


FIG.8