



US00D595381S

(12) **United States Design Patent**  
**Waggoner et al.**

(10) **Patent No.:** **US D595,381 S**

(45) **Date of Patent:** **\*\* \*Jun. 30, 2009**

(54) **GOLF CLUB HEAD**

(75) Inventors: **Lon Waggoner**, Allen, TX (US); **John Ruggiero**, McKinney, TX (US); **Jeffrey Albertsen**, Plano, TX (US); **Michael Scott Burnett**, McKinney, TX (US)

(73) Assignee: **Adams Golf IP, L.P.**, Plano, TX (US)

(\* ) Notice: This patent is subject to a terminal disclaimer.

(\*\*) Term: **14 Years**

(21) Appl. No.: **29/302,334**

(22) Filed: **Jan. 15, 2008**

(51) **LOC (9) Cl.** ..... **21-02**

(52) **U.S. Cl.** ..... **D21/759**

(58) **Field of Classification Search** ..... D21/733,  
D21/752, 759; 473/324-331, 343-346  
See application file for complete search history.

(56) **References Cited**

**U.S. PATENT DOCUMENTS**

D285,231 S	8/1986	Solomon
D353,176 S	12/1994	Poggi
D356,130 S	3/1995	Schild
D363,961 S	11/1995	Krzymowek et al.
D372,512 S	8/1996	Simmons
D389,886 S	1/1998	Kulchar et al.
D397,750 S	9/1998	Frazetta

D402,726 S *	12/1998	McCabe et al.	.....	D21/753
D425,158 S	5/2000	Long et al.		
D469,141 S *	1/2003	Poynor et al.	.....	D21/759
D489,425 S *	5/2004	Rice et al.	.....	D21/759
D521,093 S *	5/2006	Jorgensen et al.	.....	D21/759
D523,502 S *	6/2006	Jorgensen	.....	D21/752
D566,214 S *	4/2008	Evans et al.	.....	D21/752
D588,220 S *	3/2009	Ferguson et al.	.....	D21/759
D590,037 S *	4/2009	Ruggiero et al.	.....	D21/759

\* cited by examiner

*Primary Examiner*—Mitchell I Siegel

(74) *Attorney, Agent, or Firm*—David J. Dawsey, P.E., Esq.; Michael J. Gallagher, Esq.; Gallagher & Dawsey Co., L.P.A.

(57) **CLAIM**

We claim the ornamental design for a golf club head, as shown and described.

**DESCRIPTION**

FIG. 1 is an isometric view of a golf club head showing our new design.

FIG. 2 is a rear elevation view thereof;

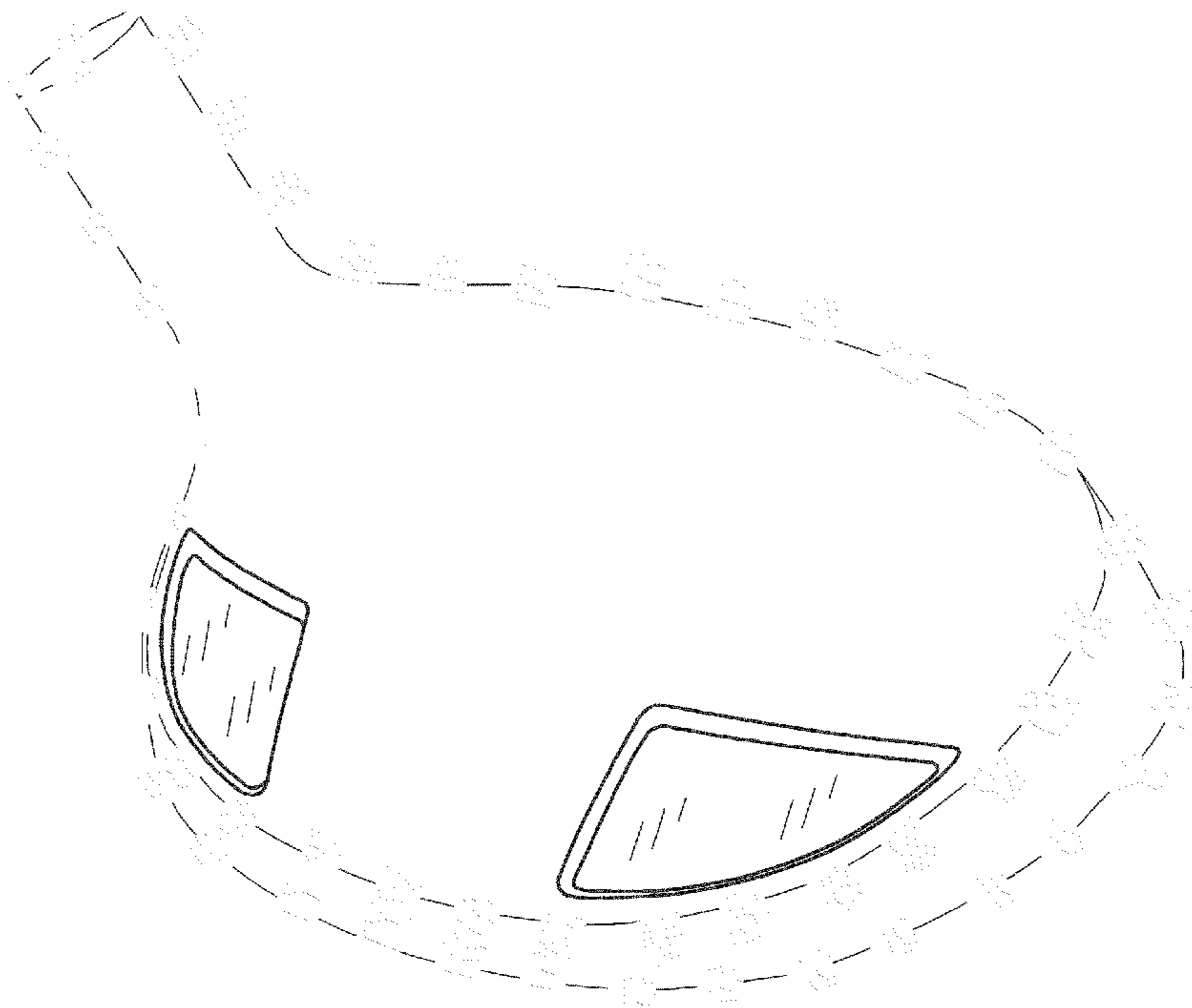
FIG. 3 is a top plan view thereof;

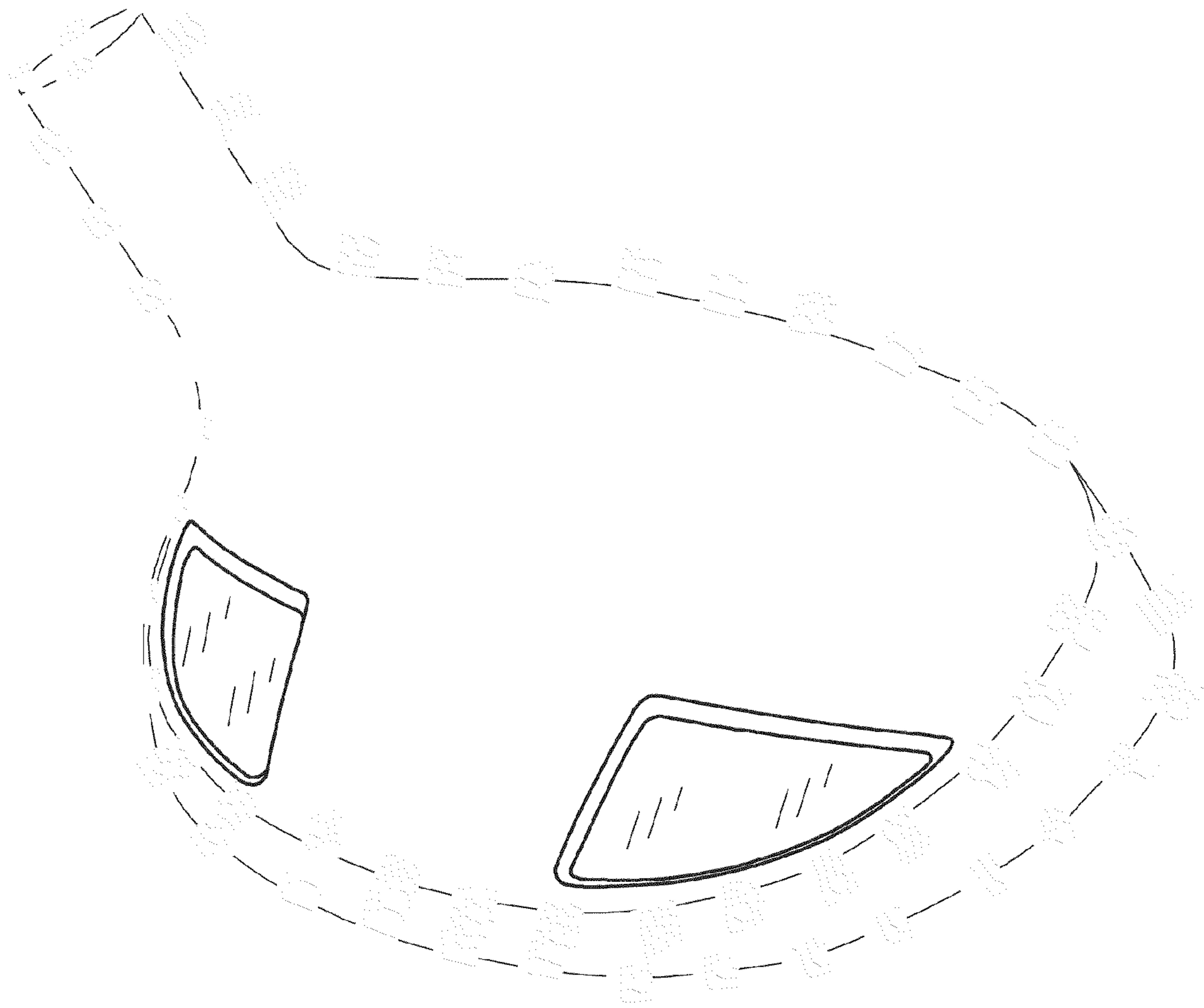
FIG. 4 is a toe side elevation view thereof; and,

FIG. 5 is a heel side elevation view thereof.

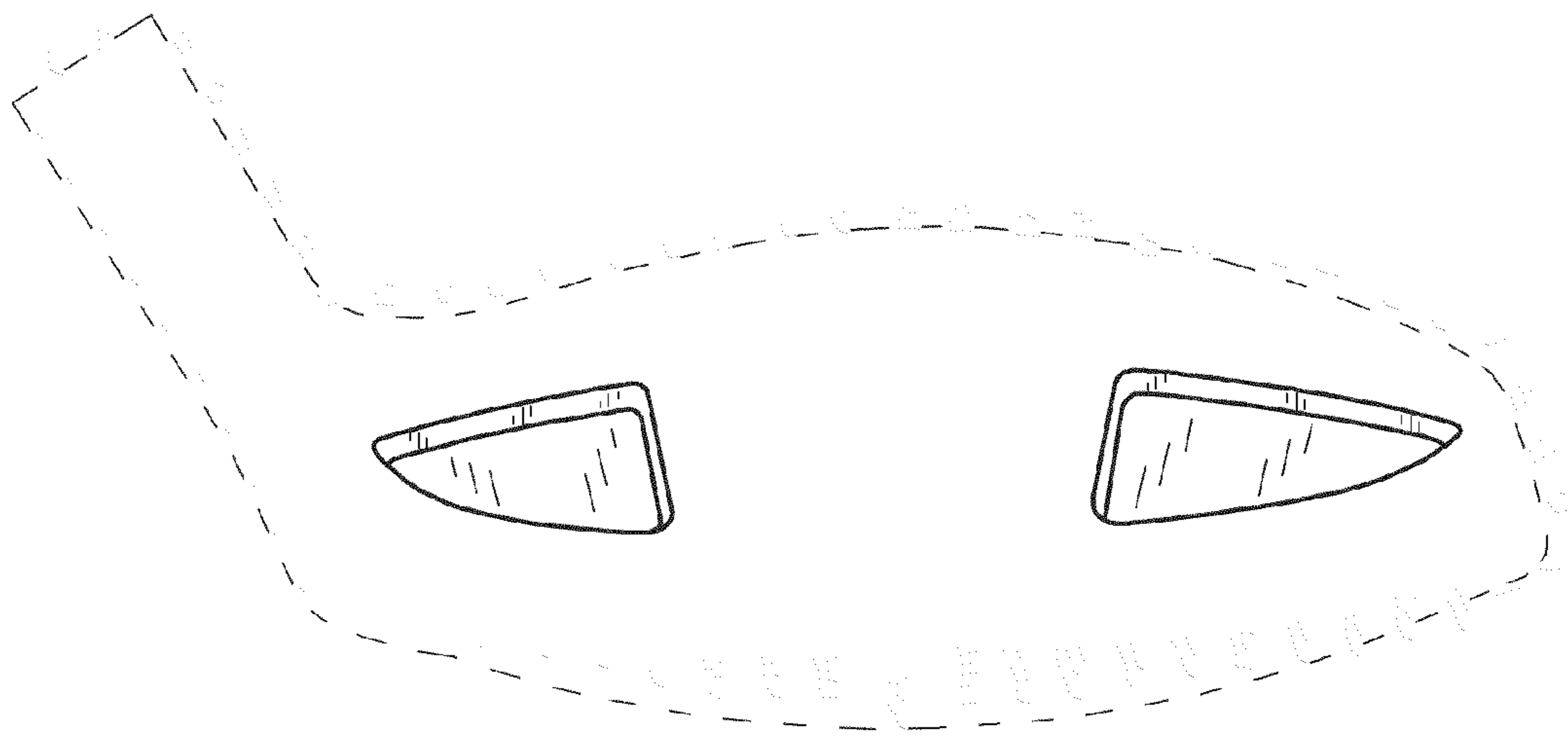
The broken lines are for illustrative purposes only and form no part of the claimed design.

**1 Claim, 4 Drawing Sheets**

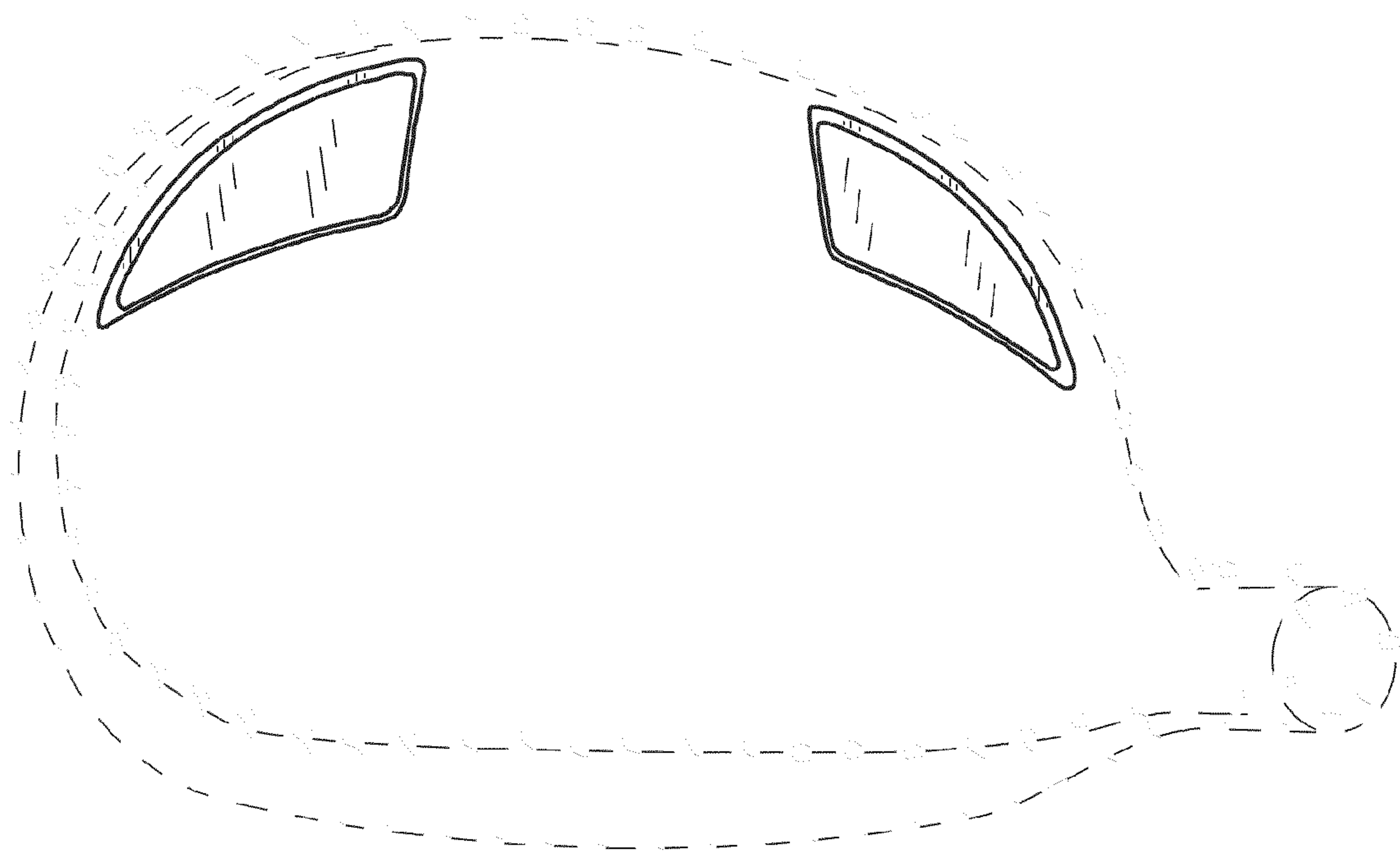




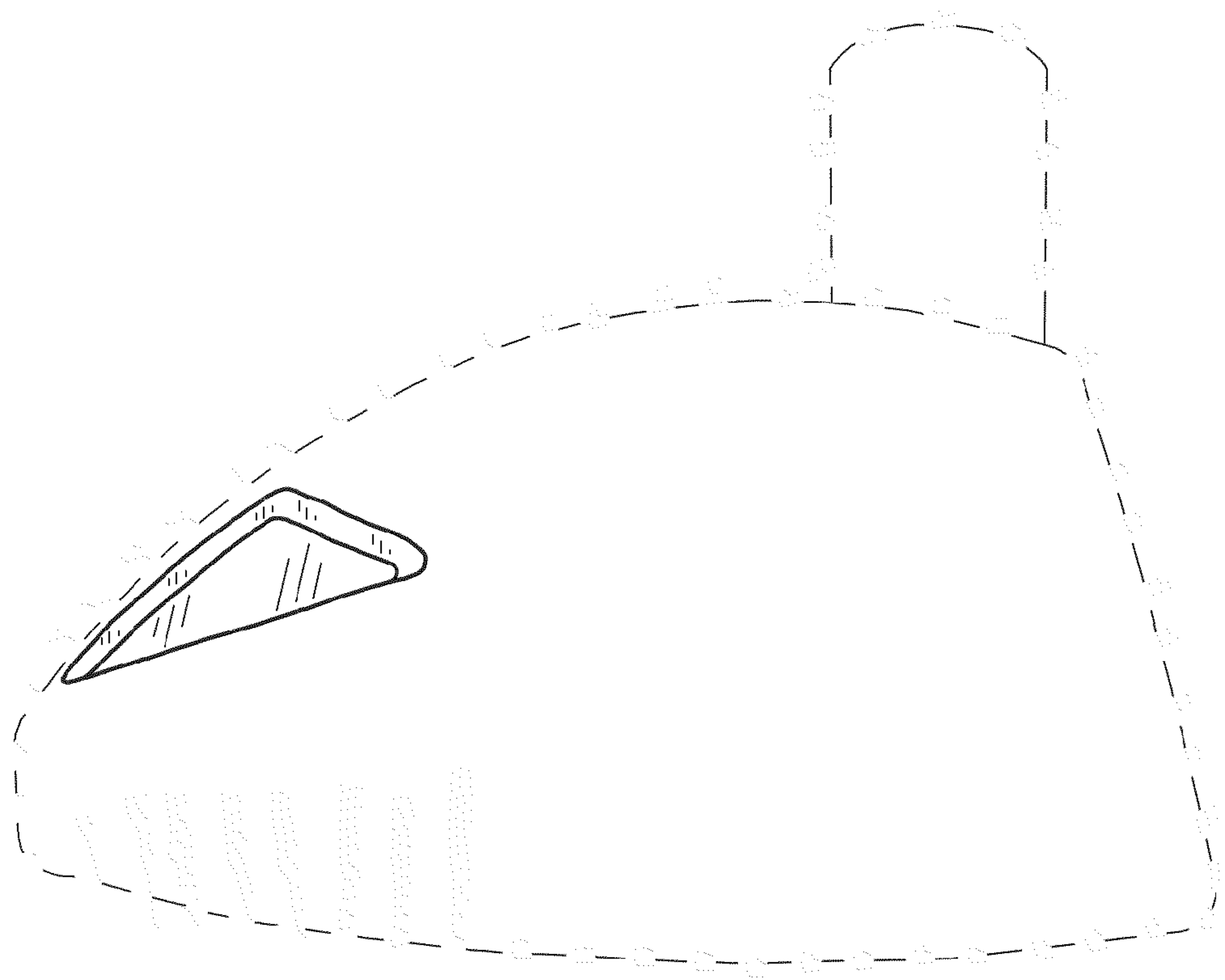
*Fig. 1*



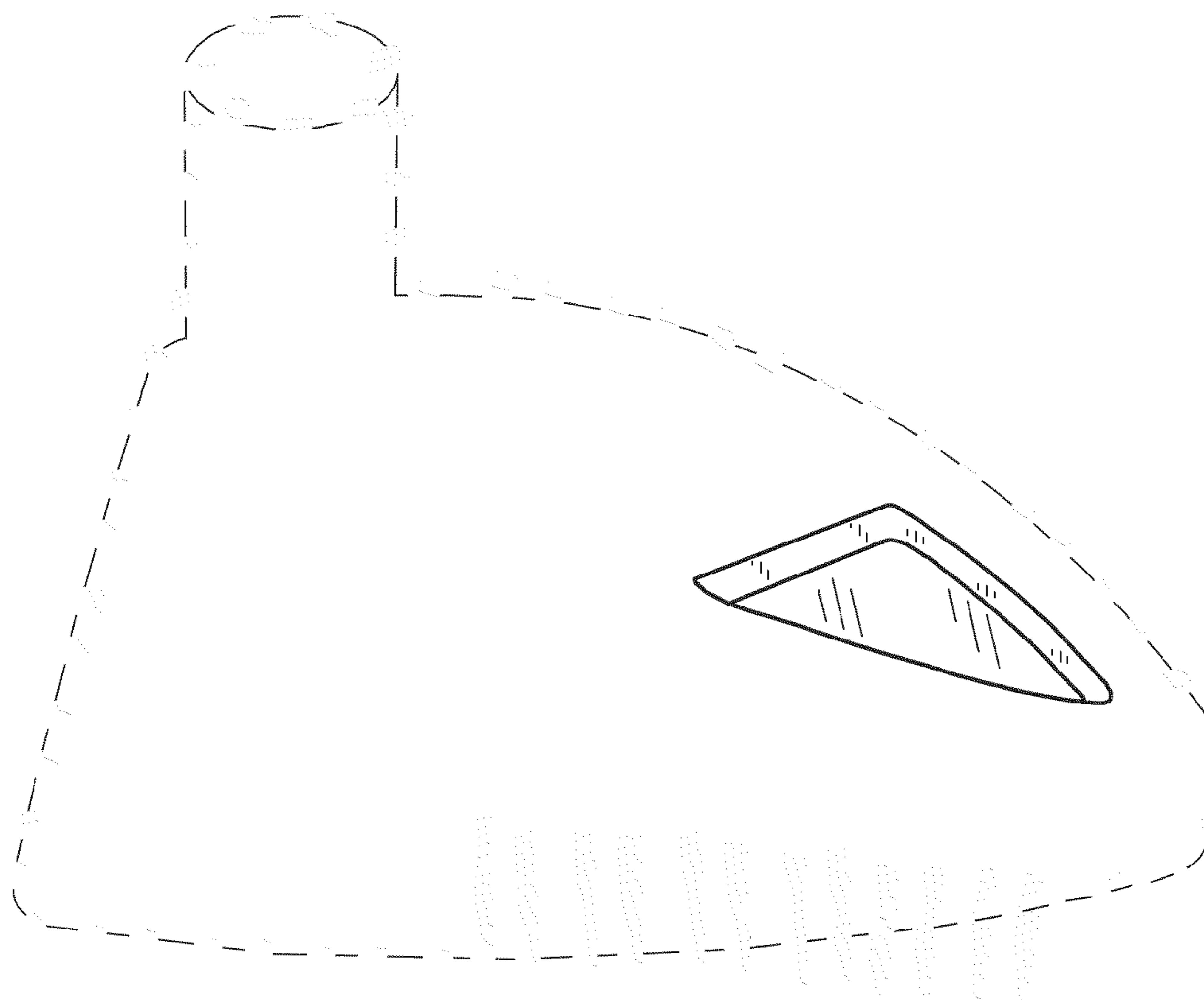
*Fig. 2*



*Fig. 3*



*Fig. 4*



*Fig. 5*