



US00D595376S

(12) **United States Design Patent**
Martin

(10) **Patent No.:** **US D595,376 S**
(45) **Date of Patent:** **** Jun. 30, 2009**

(54) **GOLF CLUB GRIP PROTECTION DEVICE**

D531,243 S * 10/2006 Davis D21/756

(76) **Inventor:** **Glenn Martin**, P.O. Box 340902, Austin,
TX (US) 78734

* cited by examiner

Primary Examiner—Mitchell I Siegel

(**) **Term:** **14 Years**

(57) **CLAIM**

(21) **Appl. No.:** **29/301,677**

The ornamental design for a golf club grip protection device,
as shown and described.

(22) **Filed:** **Mar. 13, 2008**

(51) **LOC (9) Cl.** **21-02**

DESCRIPTION

(52) **U.S. Cl.** **D21/753; D21/756**

FIG. 1 is a top view of the golf grip device showing my new
design, the bottom view being a mirror image;

(58) **Field of Classification Search** D21/753,

FIG. 2 is a perspective view thereof;

D21/756-757; 473/300-303

FIG. 3 is a front view thereof;

See application file for complete search history.

FIG. 4 is a rear view thereof; and,

(56) **References Cited**

FIG. 5 is a side view thereof, the other side being a mirror
image.

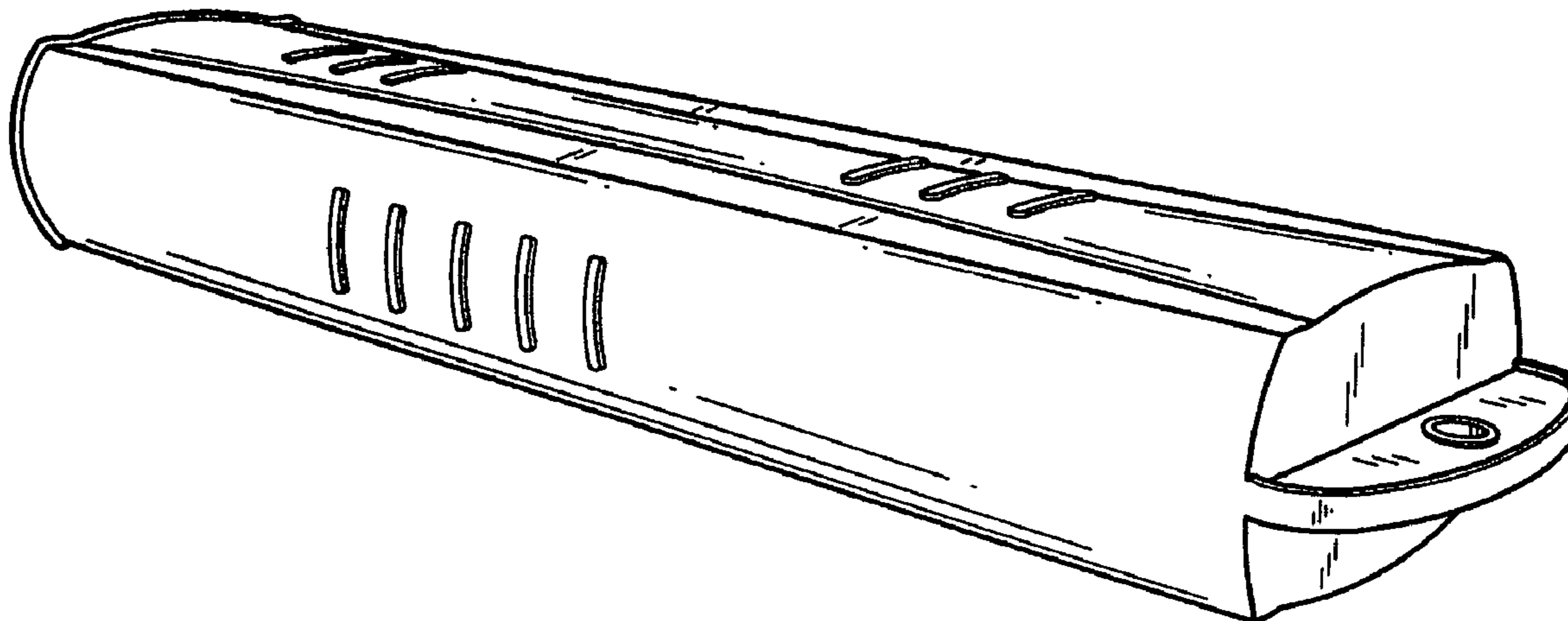
U.S. PATENT DOCUMENTS

5,398,930 A * 3/1995 Gibson 473/201

6,783,463 B2 * 8/2004 Zichmanis 473/204

D515,649 S * 2/2006 Zichmanis D21/756

1 Claim, 5 Drawing Sheets



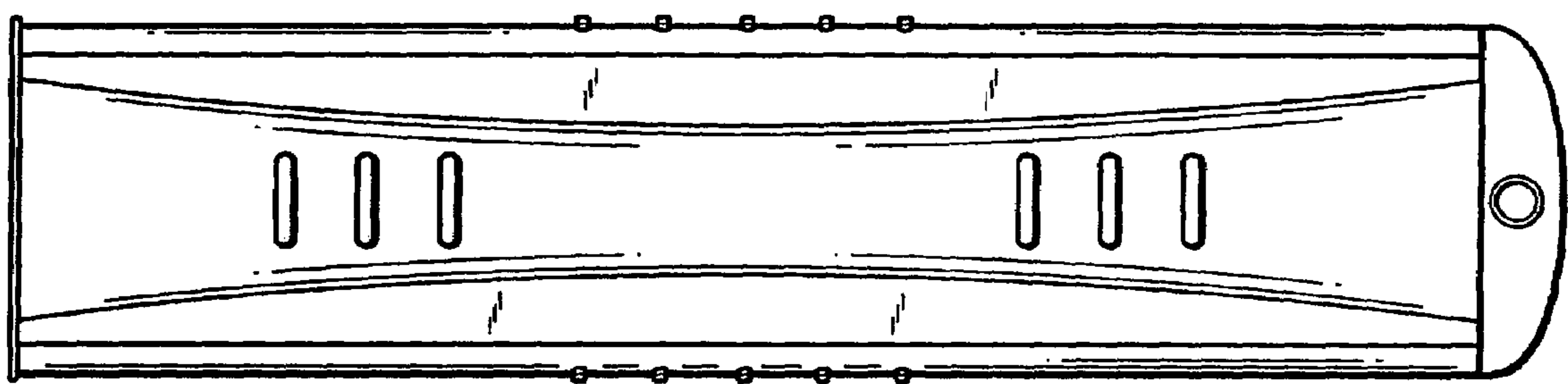


FIG. 1

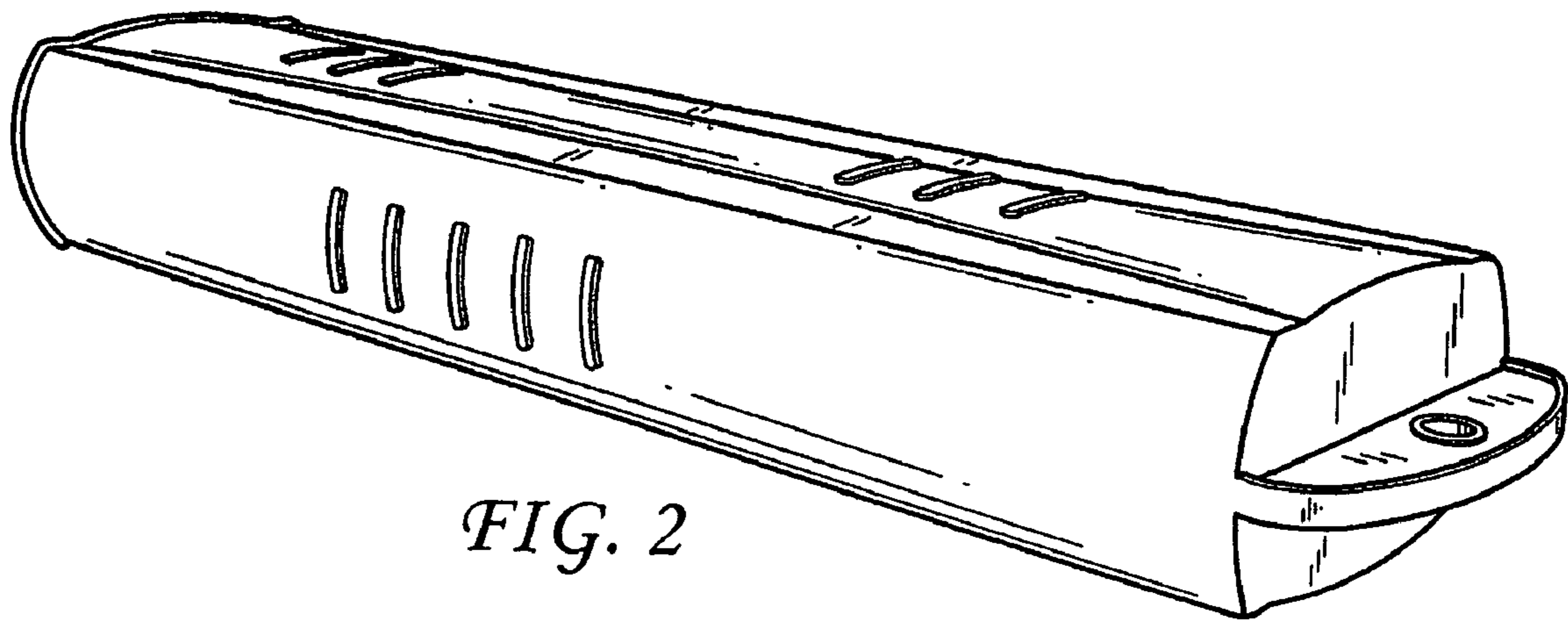


FIG. 2

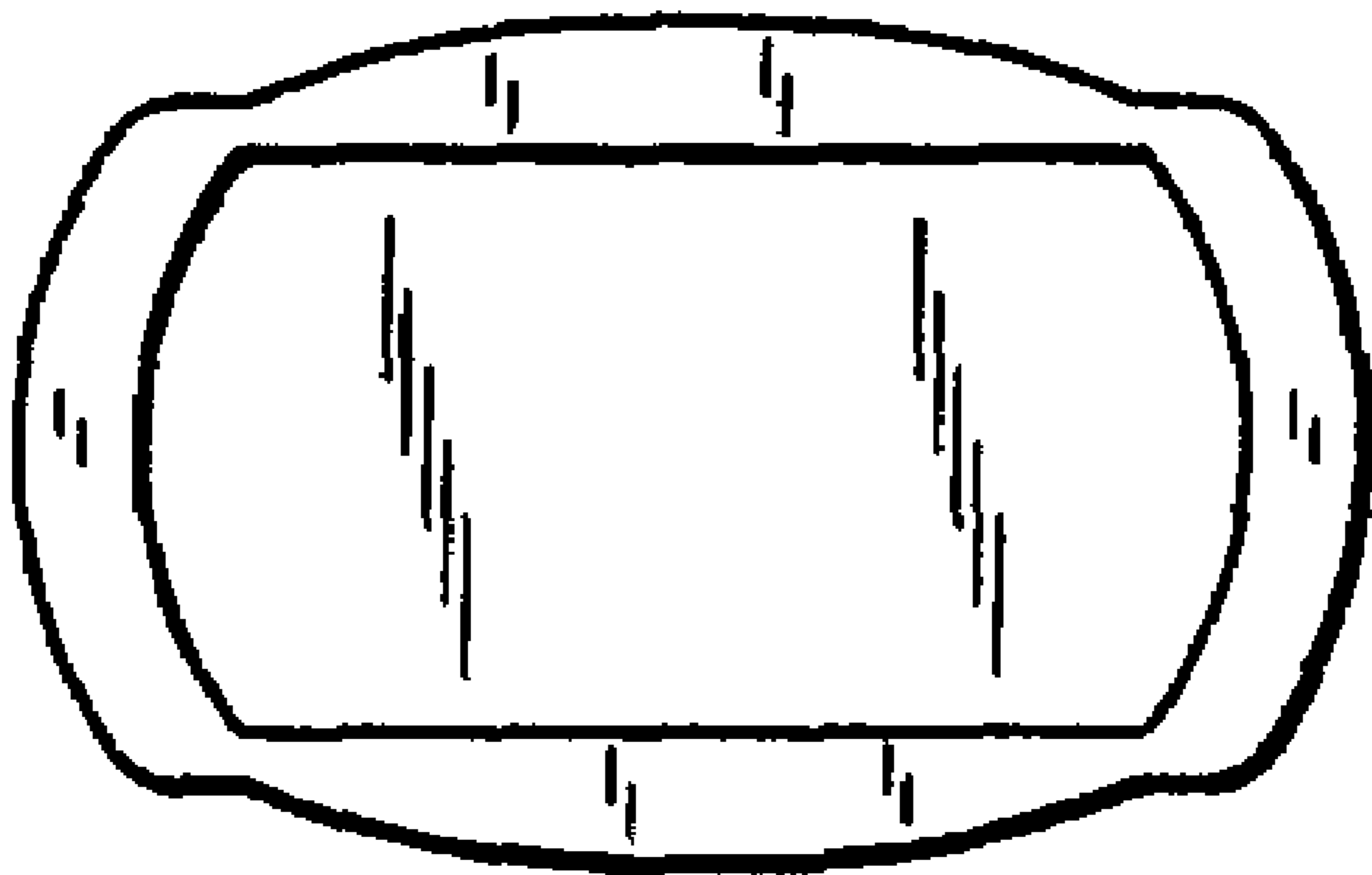


FIG. 3

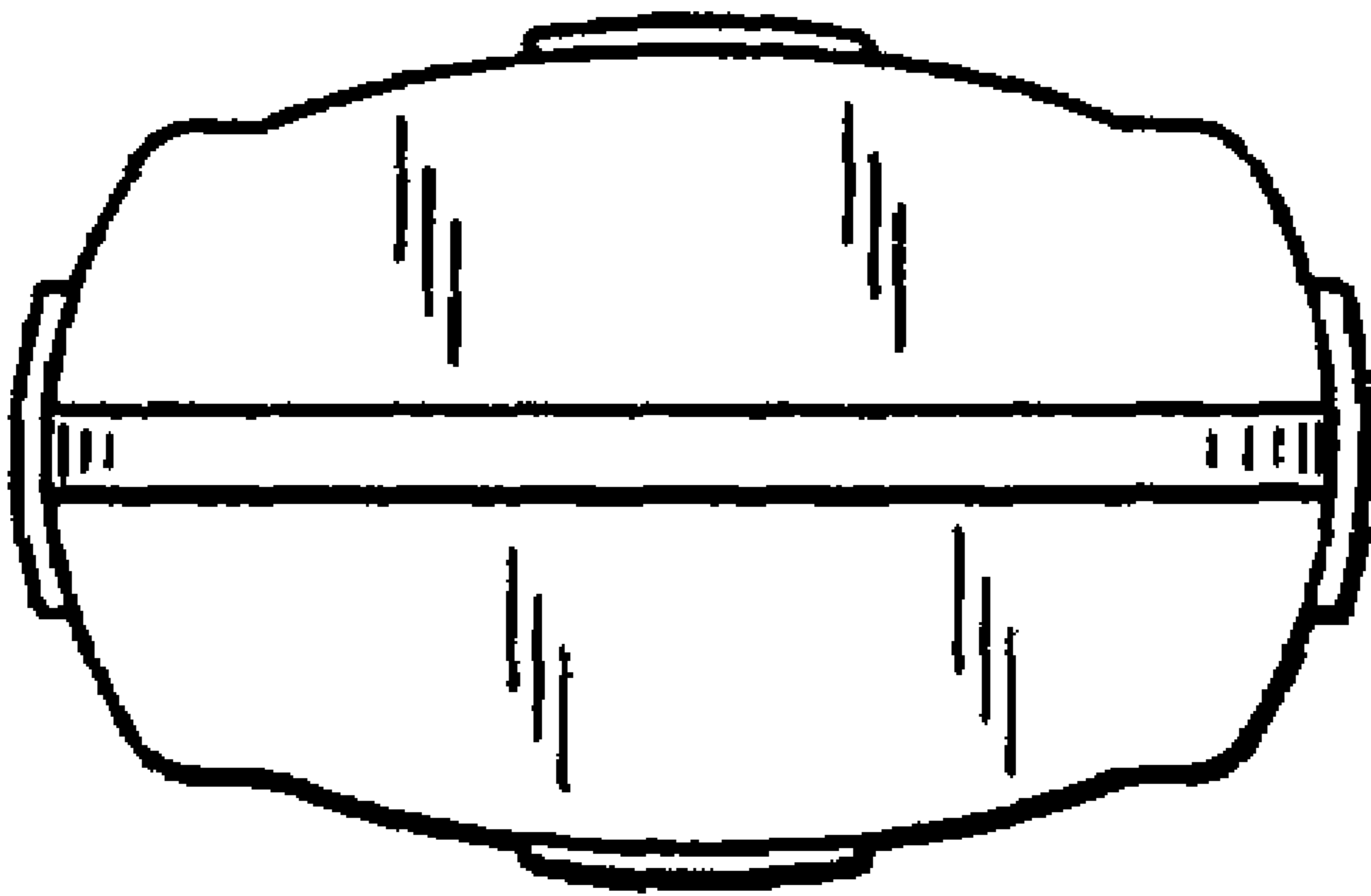


FIG. 4

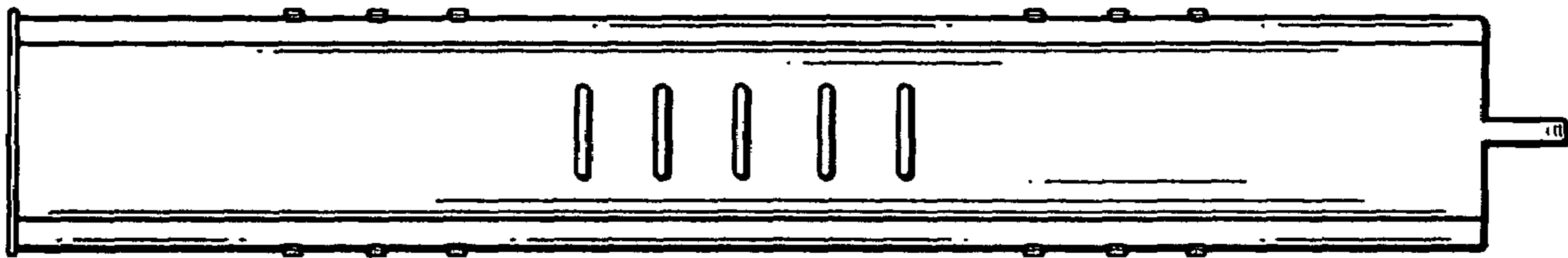


FIG. 5