

US00D595373S

(12) **United States Design Patent**
Kim et al.

(10) **Patent No.:** **US D595,373 S**

(45) **Date of Patent:** **** *Jun. 30, 2009**

(54) **PUTTER HEAD**

(75) Inventors: **Kevin Weejoung Kim**, Vista, CA (US);
Augustin W. Rollinson, Carlsbad, CA
(US)

(73) Assignee: **Callaway Golf Company**, Carlsbad, CA
(US)

(*) Notice: This patent is subject to a terminal disclaimer.

(**) Term: **14 Years**

(21) Appl. No.: **29/324,304**

(22) Filed: **Sep. 10, 2008**

(51) **LOC (9) Cl.** **21-02**

(52) **U.S. Cl.** **D21/744**

(58) **Field of Classification Search** D21/736-746;
473/324-331, 340-341, 251-256
See application file for complete search history.

(56) **References Cited**

U.S. PATENT DOCUMENTS

- D323,867 S * 2/1992 Rizzotto D21/740
- D350,177 S * 8/1994 Ramirez et al. D21/745
- D532,844 S * 11/2006 Rollinson D21/736
- D532,845 S * 11/2006 Rollinson D21/736

- D534,974 S * 1/2007 Haack D21/743
- D552,699 S * 10/2007 Rollinson D21/759
- D568,954 S * 5/2008 Oldknow et al. D21/759
- D573,673 S * 7/2008 Noyes D21/736
- D574,908 S * 8/2008 Hettinger et al. D21/743
- D577,398 S * 9/2008 Hilton D21/744
- D582,497 S * 12/2008 Rollinson D21/744

* cited by examiner

Primary Examiner—Mitchell I Siegel

(74) *Attorney, Agent, or Firm*—Michael A. Catania; Elaine H. Lo

(57) **CLAIM**

The ornamental design for a putter head, as shown and described.

DESCRIPTION

FIG. 1 is a top perspective view of a putter head as claimed herein;

FIG. 2 is a front elevational view thereof;

FIG. 3 is a rear elevational view thereof;

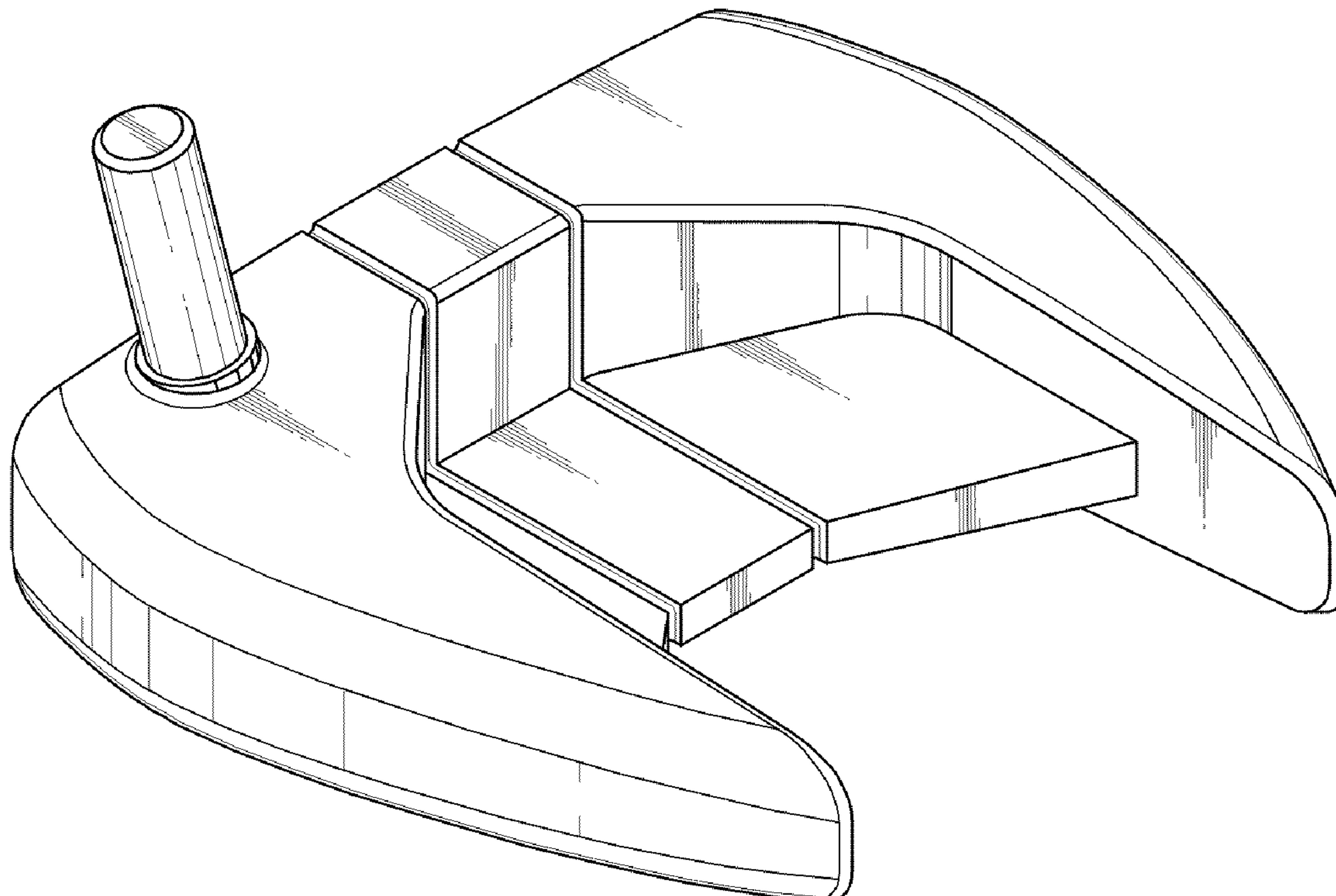
FIG. 4 is a top plan view thereof;

FIG. 5 is a heel view thereof;

FIG. 6 is a bottom plan view thereof; and,

FIG. 7 is a toe end view thereof.

1 Claim, 3 Drawing Sheets



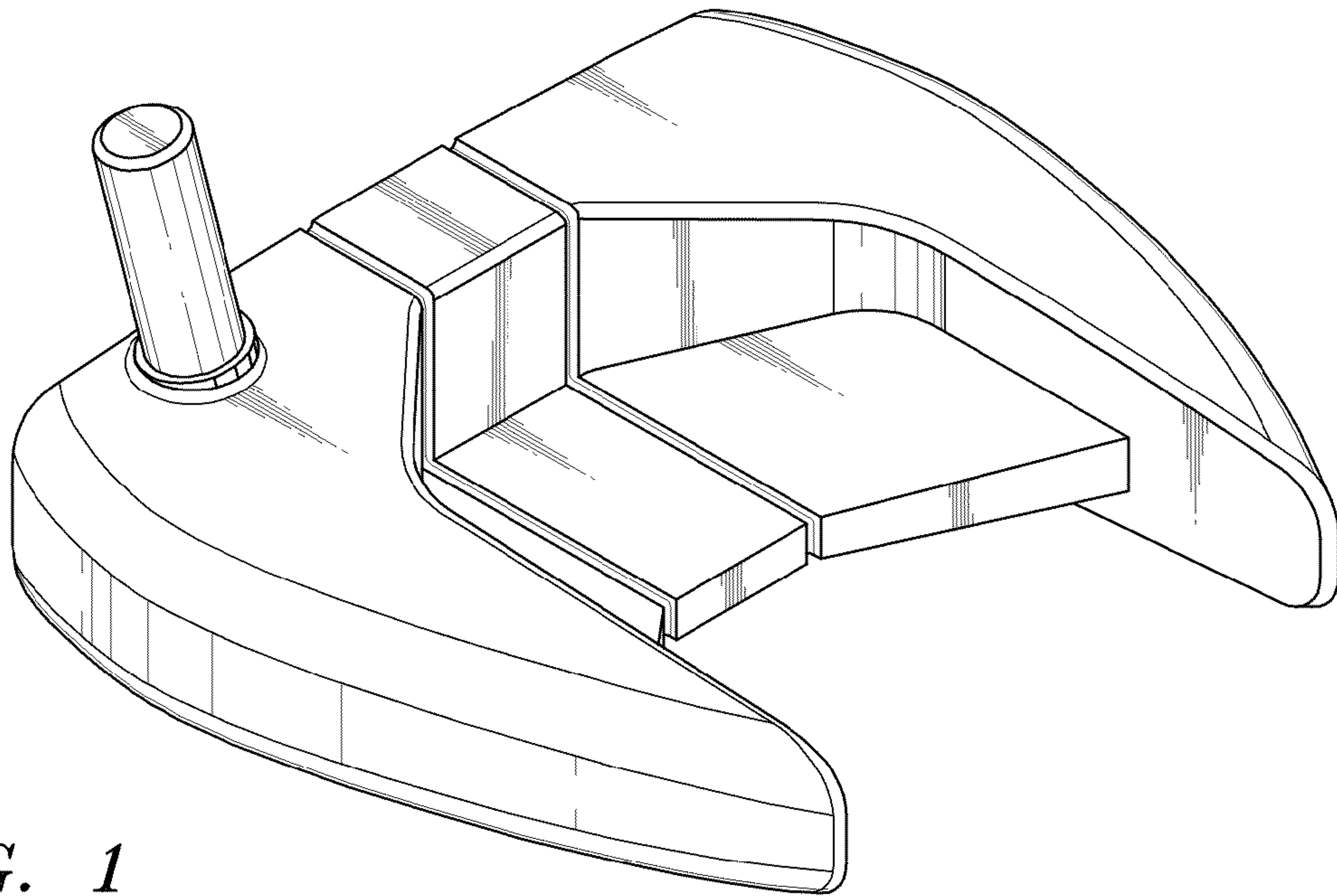


FIG. 1

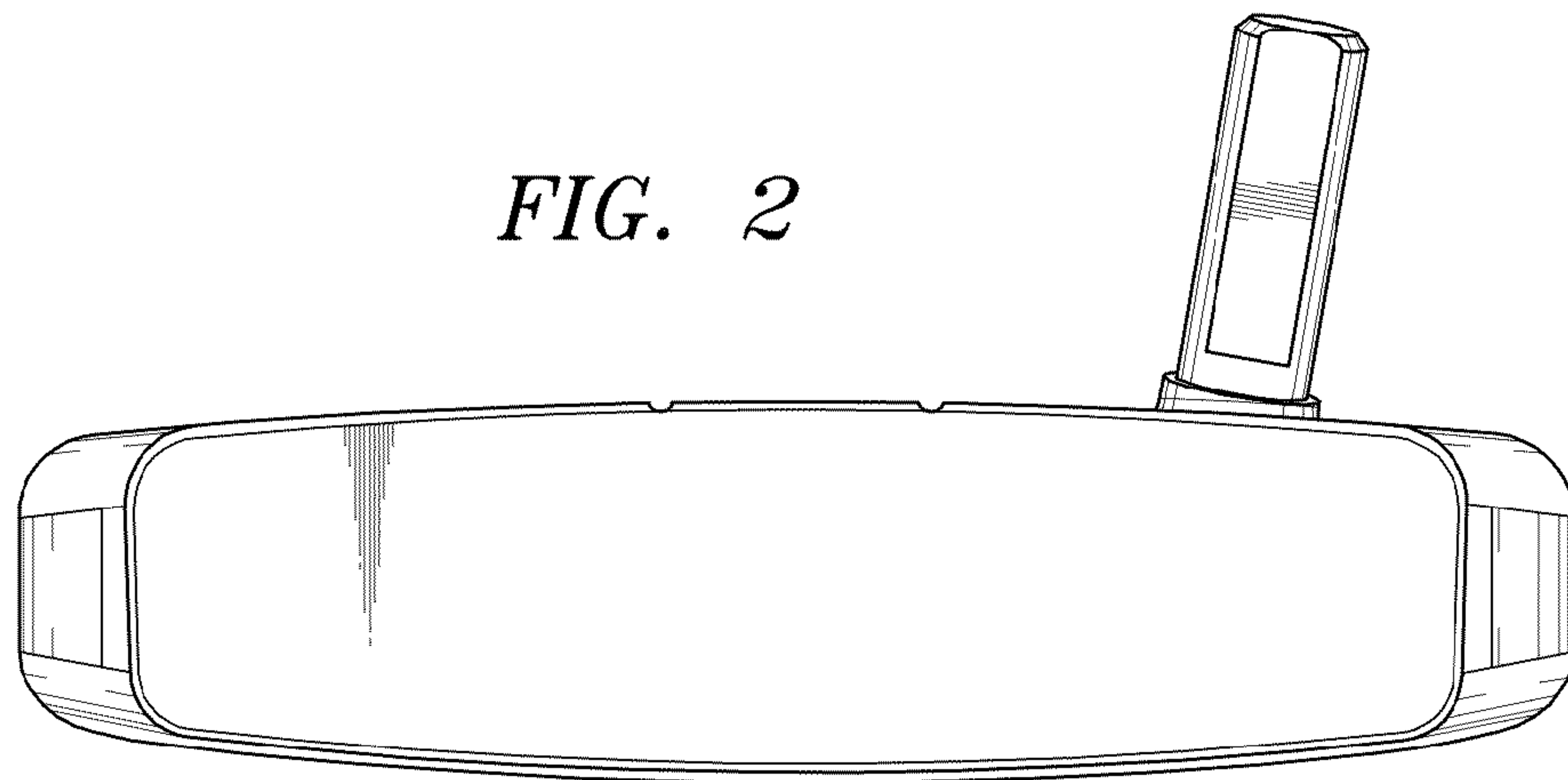


FIG. 2

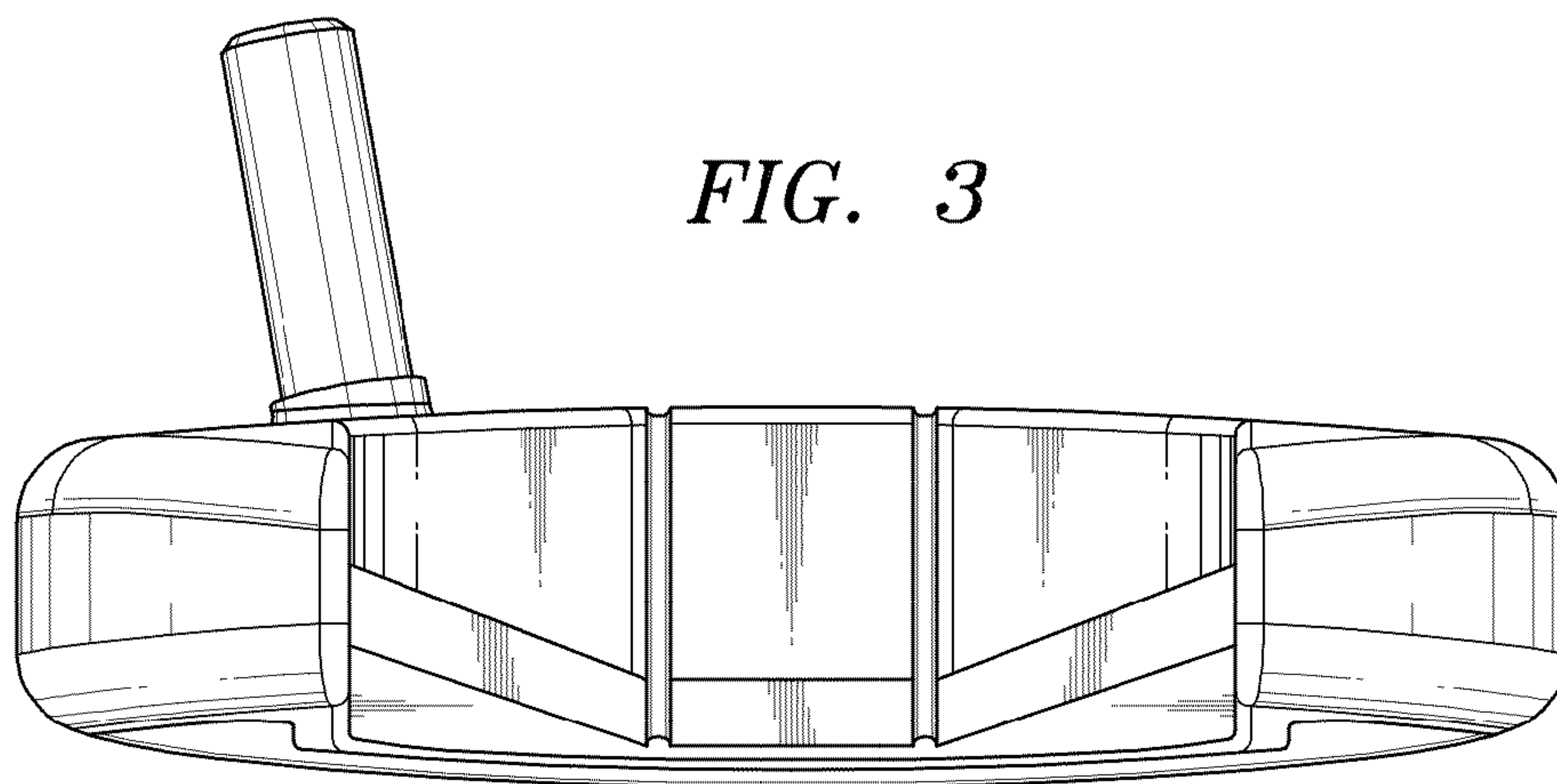


FIG. 3

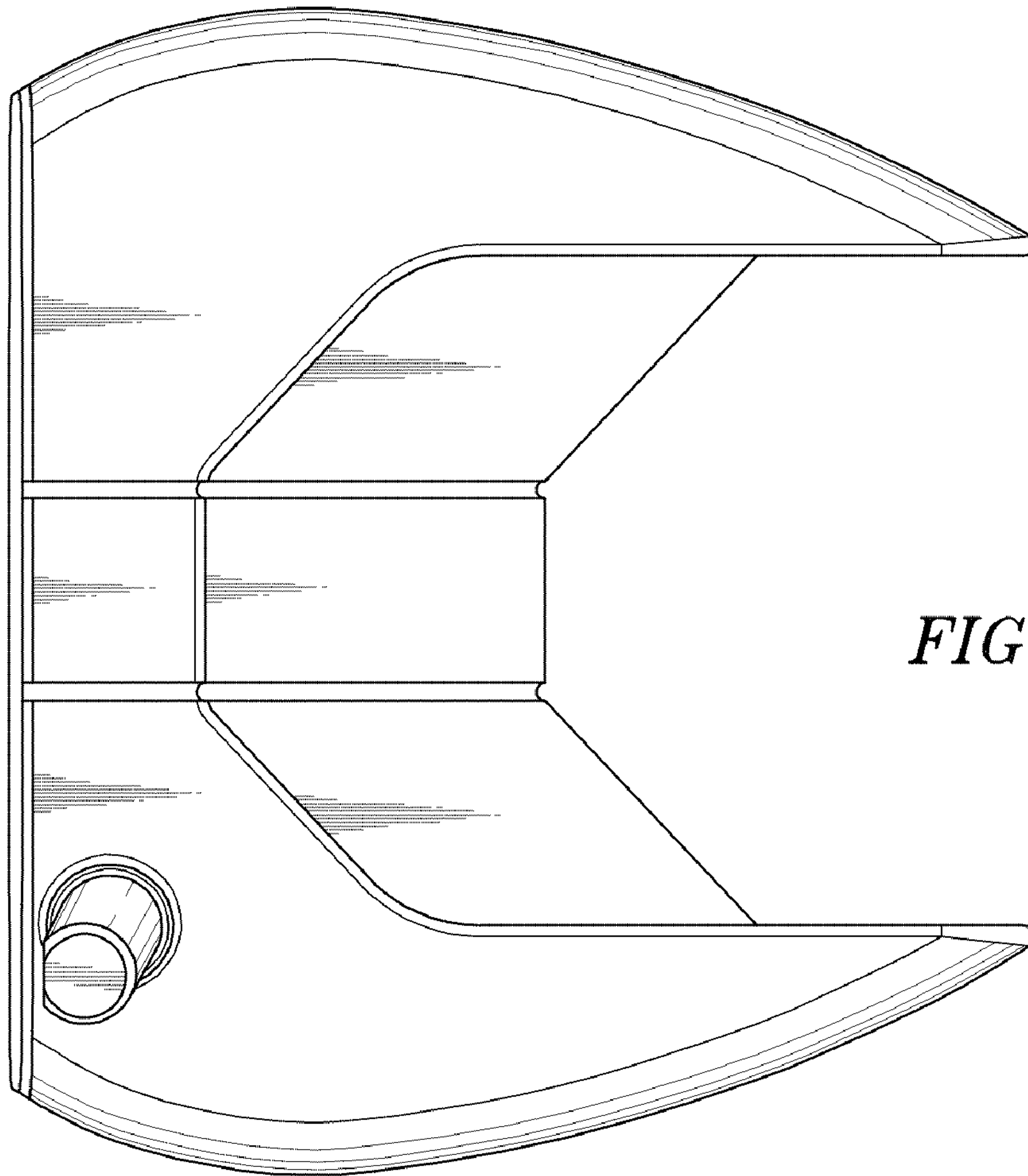


FIG. 4

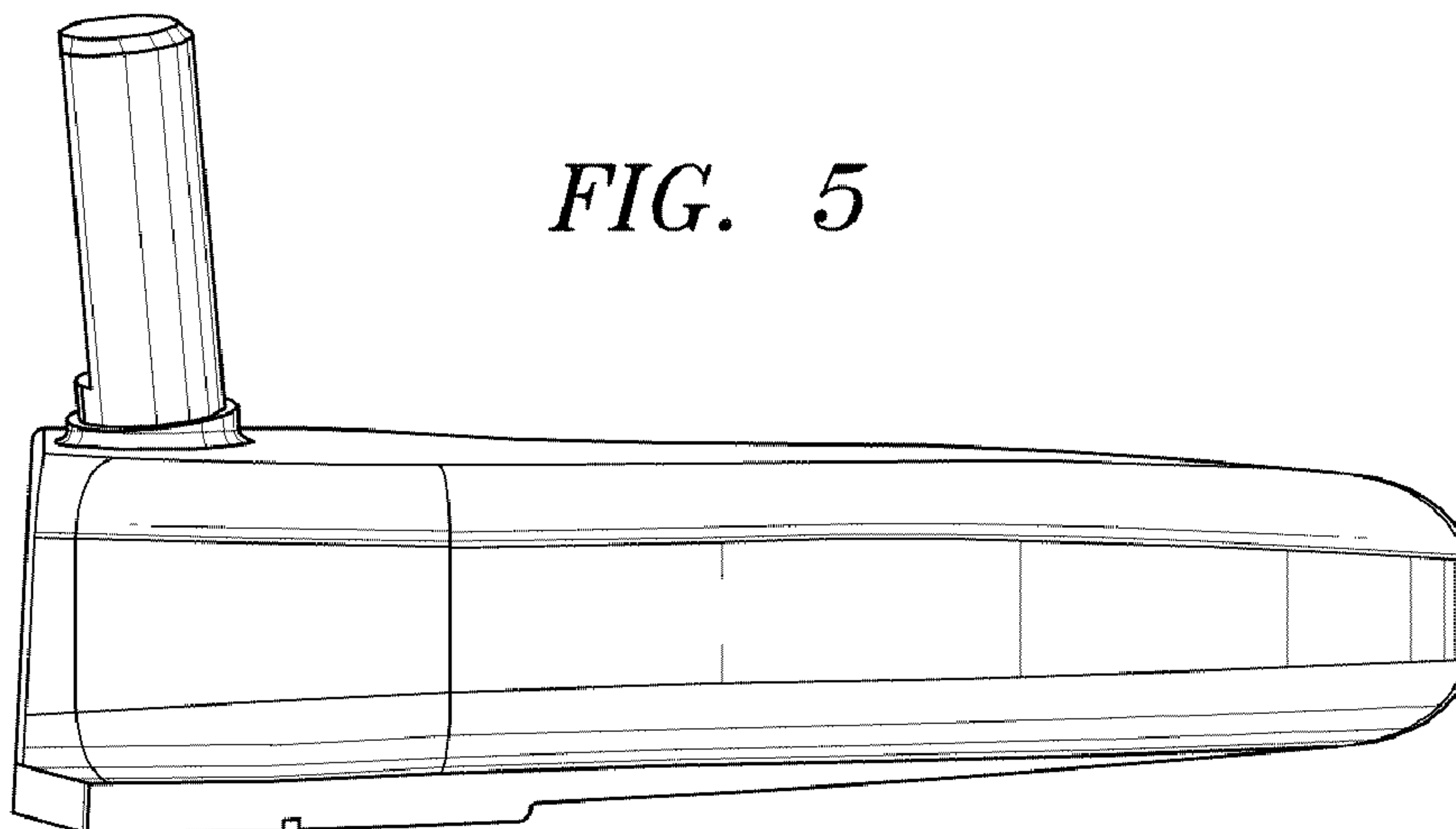


FIG. 5

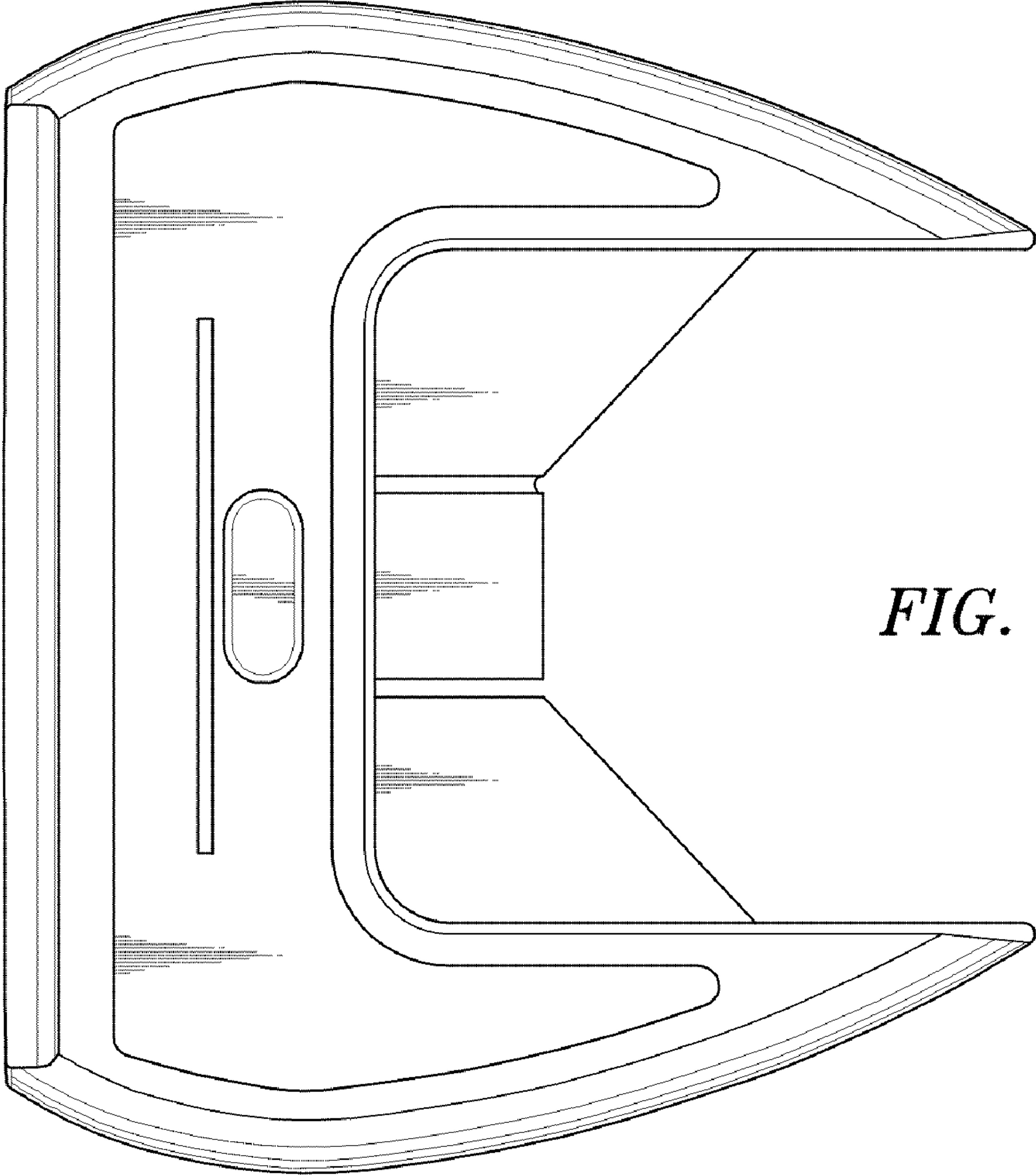


FIG. 6

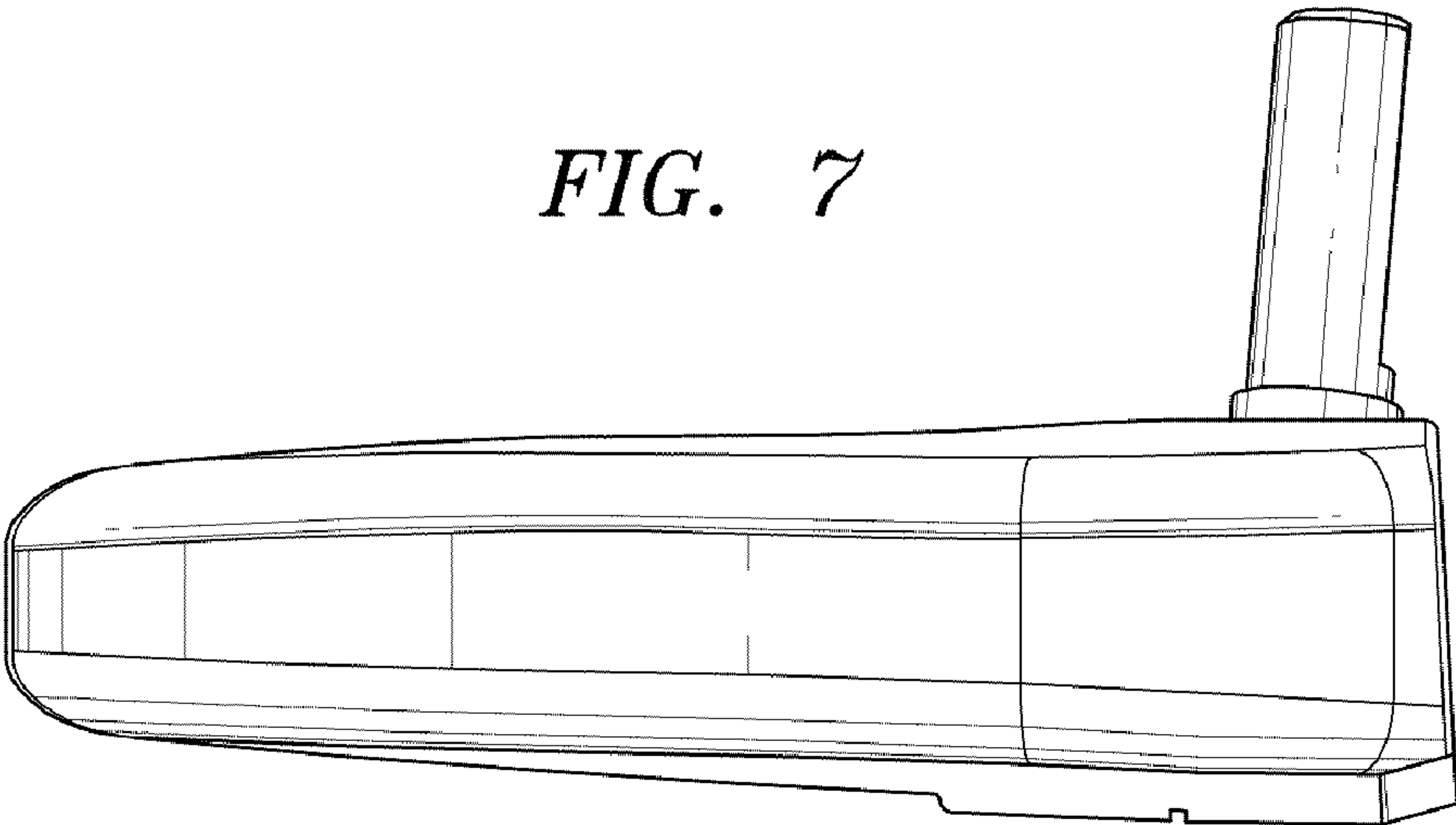


FIG. 7