



US00D595360S

(12) **United States Design Patent**  
**Ogawa et al.**

(10) **Patent No.:** **US D595,360 S**  
(45) **Date of Patent:** **\*\* Jun. 30, 2009**

(54) **ELECTRONIC BOARD**

6,263,602 B1 \* 7/2001 Seiber et al. .... 40/594  
D532,911 S \* 11/2006 Gardner ..... D25/136

(75) Inventors: **Junichi Ogawa**, Kadoma (JP);  
**Yukinobu Kudou**, Kadoma (JP)

\* cited by examiner

(73) Assignee: **Panasonic Corporation**, Osaka (JP)

*Primary Examiner*—Janice E Seeger

*Assistant Examiner*—Mary Ann Calabrese

(\*\*) Term: **14 Years**

(74) *Attorney, Agent, or Firm*—Brinks Hofer Gilson & Lione

(21) Appl. No.: **29/295,763**

(57) **CLAIM**

(22) Filed: **Oct. 5, 2007**

We claim the ornamental design for an electronic board, as shown and described.

(51) **LOC (9) Cl.** ..... **20-02**

(52) **U.S. Cl.** ..... **D20/10; D6/300**

(58) **Field of Classification Search** ..... D20/10,  
D20/11, 19, 22, 27, 40, 42, 43, 99; 40/341,  
40/446, 538, 541, 553, 564, 584, 594, 607.11,  
40/642.02, 646, 658, 661, 662, 700; D6/300,  
D6/308, 492; D8/403; D10/109; D19/52;  
D25/136; 206/448, 449, 153, 582, 586; 269/3;  
281/45; 352/7; 362/812

See application file for complete search history.

**DESCRIPTION**

FIG. 1 is a front perspective view of an electronic board of the present invention;

FIG. 2 is a front view thereof;

FIG. 3 is a rear view thereof;

FIG. 4 is a left side view thereof;

FIG. 5 is a right side view thereof;

FIG. 6 is a top view thereof;

FIG. 7 is a bottom view thereof;

FIG. 8 is an enlarged front perspective view of the claimed portion;

FIG. 9 is an enlarged front view of the claimed portion;

FIG. 10 is an enlarged right side view of the claimed portion; and,

FIG. 11 is an enlarged bottom view of the claimed portion.

The broken line showing of electronic board is included for the purpose of illustrating environment and forms no part of the claimed design.

(56) **References Cited**

**U.S. PATENT DOCUMENTS**

D27,106	S	*	5/1897	Cramer	.....	D8/403
1,286,208	A	*	12/1918	Bernau	.....	281/45
2,728,451	A	*	12/1955	Leander	.....	206/453
2,885,139	A	*	5/1959	Werner et al.	.....	206/586
3,041,604	A	*	6/1962	Collis et al.	.....	342/7
3,679,198	A	*	7/1972	Weggeland	.....	269/3
4,016,664	A	*	4/1977	Kaufmann	.....	40/642.02
D300,150	S		3/1989	Ishii		
D382,735	S	*	8/1997	Zapf	.....	D6/492
D393,008	S		3/1998	Hiraguchi et al.		
D438,258	S		2/2001	Itoh et al.		

**1 Claim, 11 Drawing Sheets**

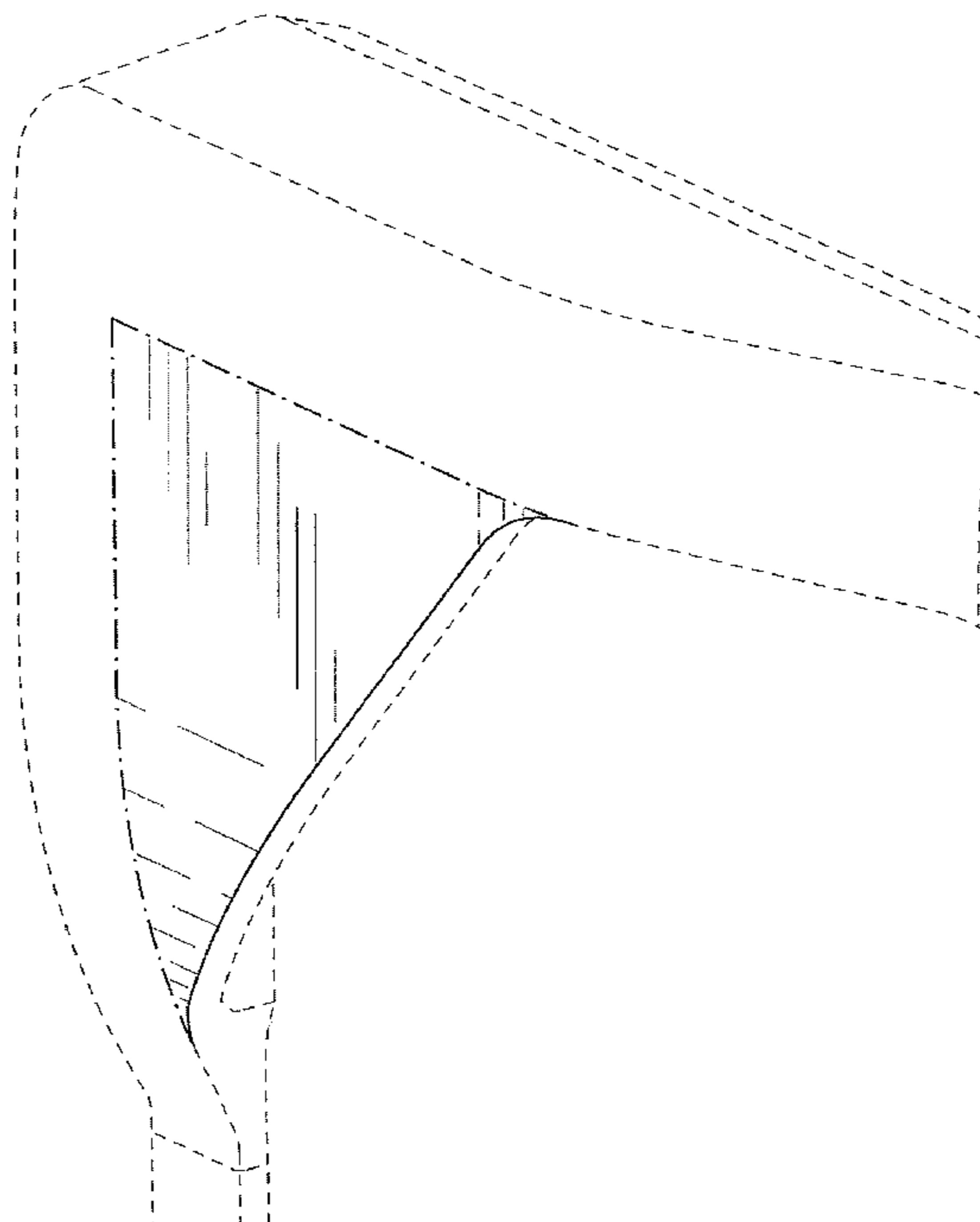


FIG. 1

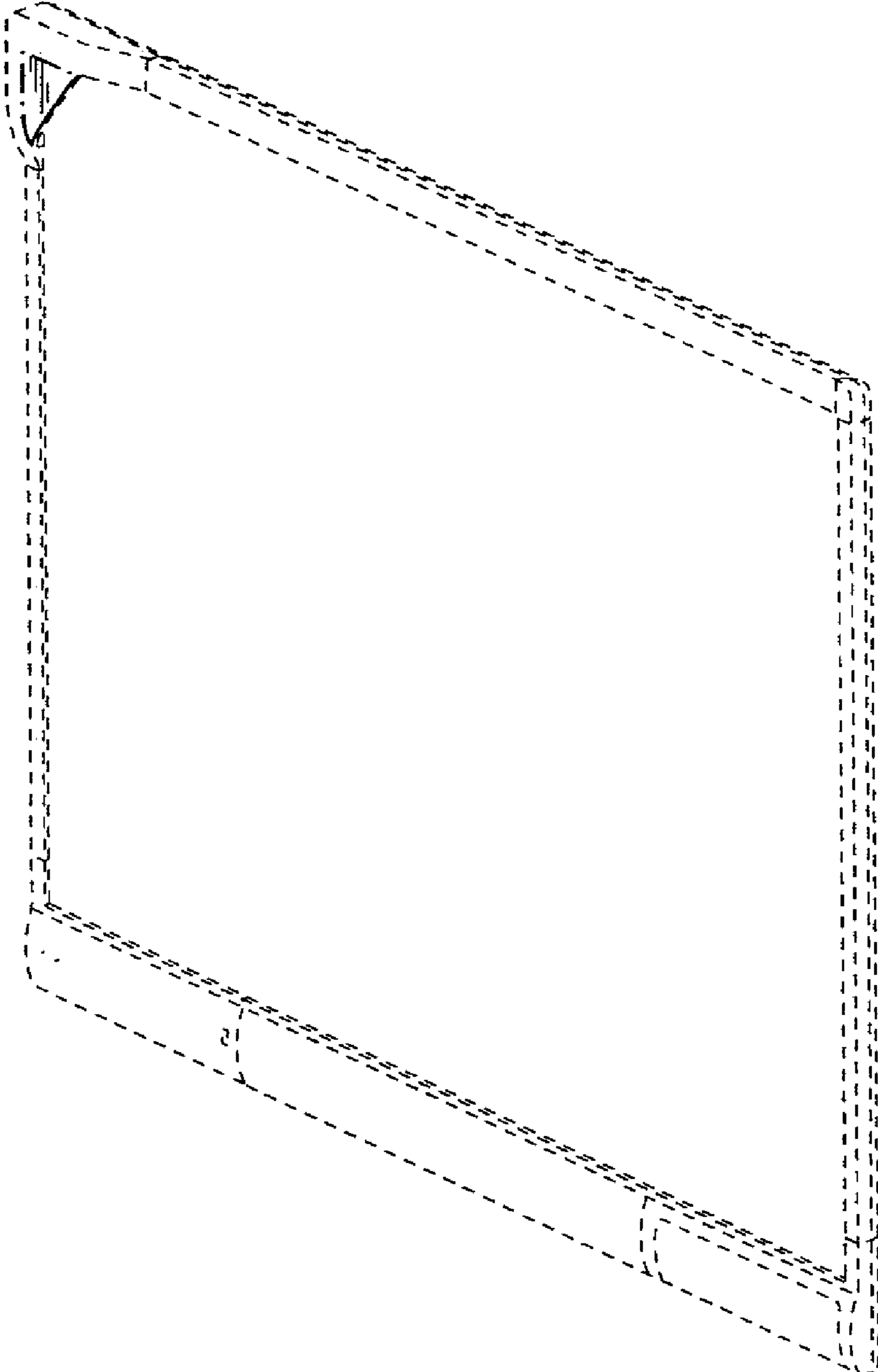


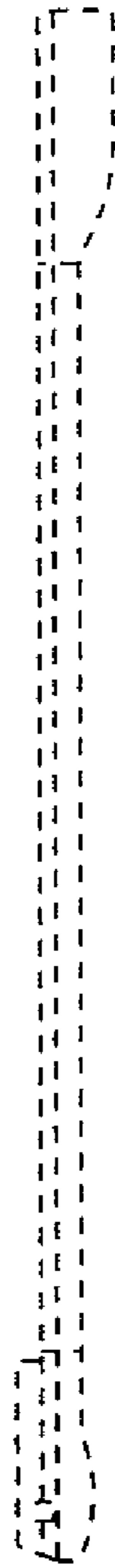
FIG. 2



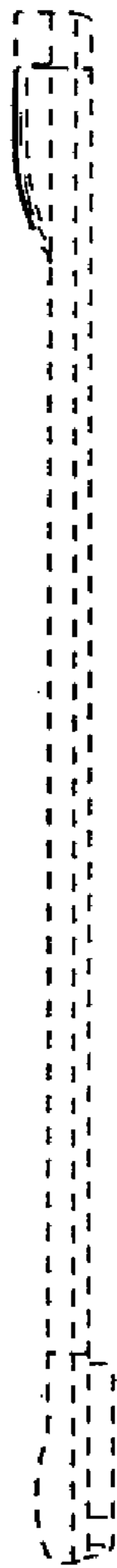
FIG.3



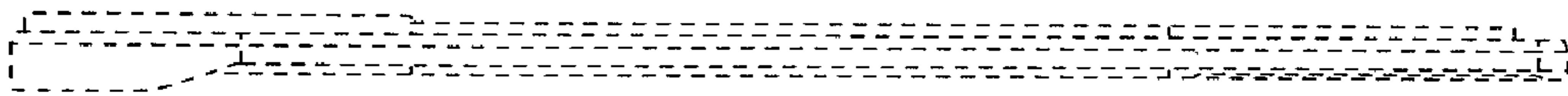
*FIG. 4*



*FIG. 5*



*FIG. 6*



*FIG. 7*

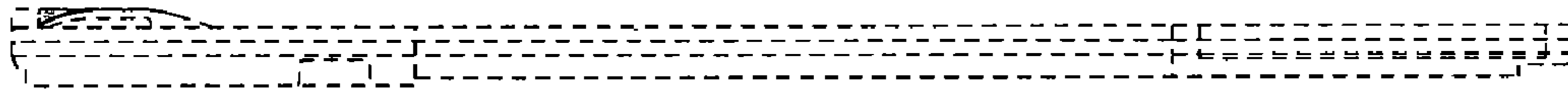




FIG. 8

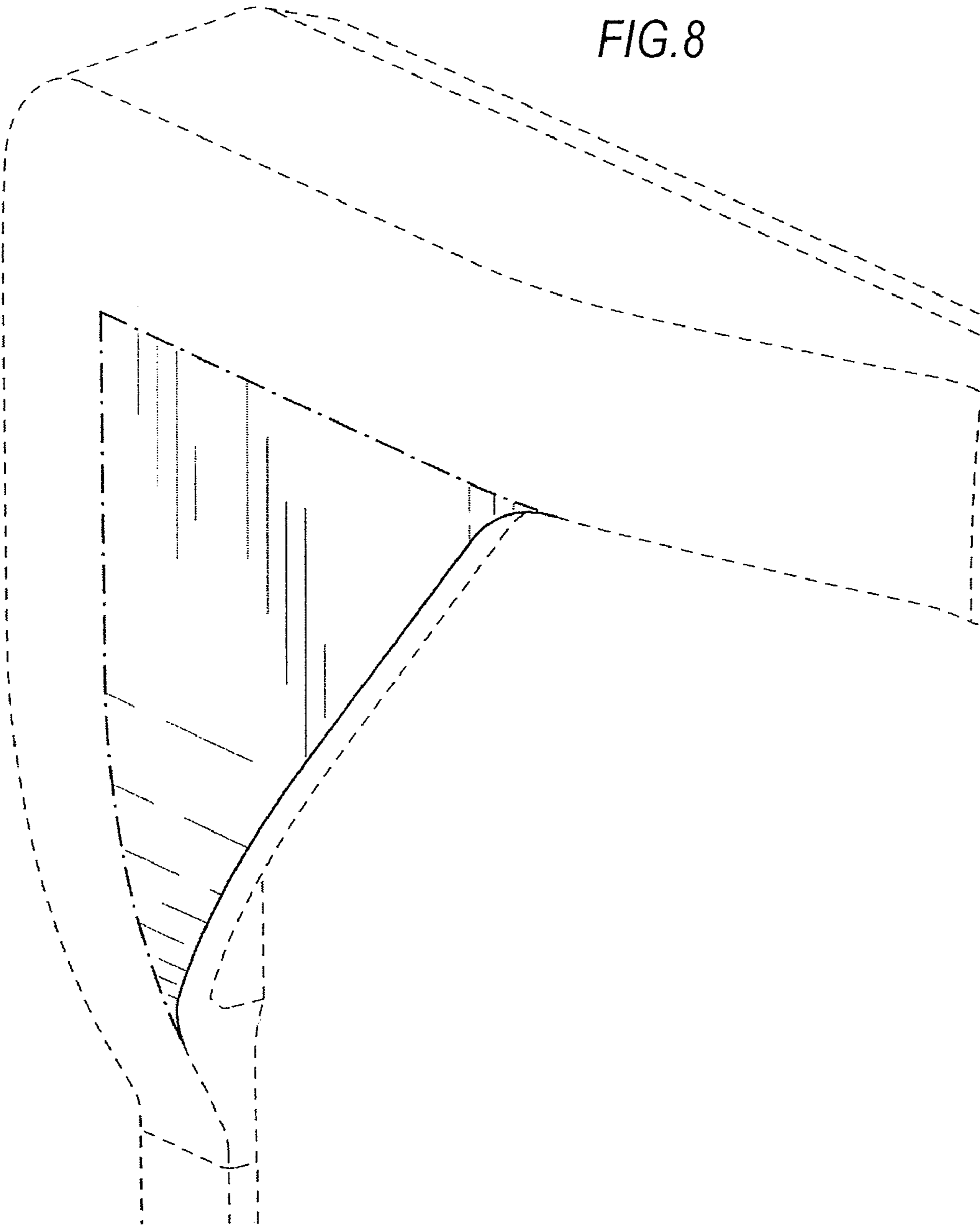


FIG. 9

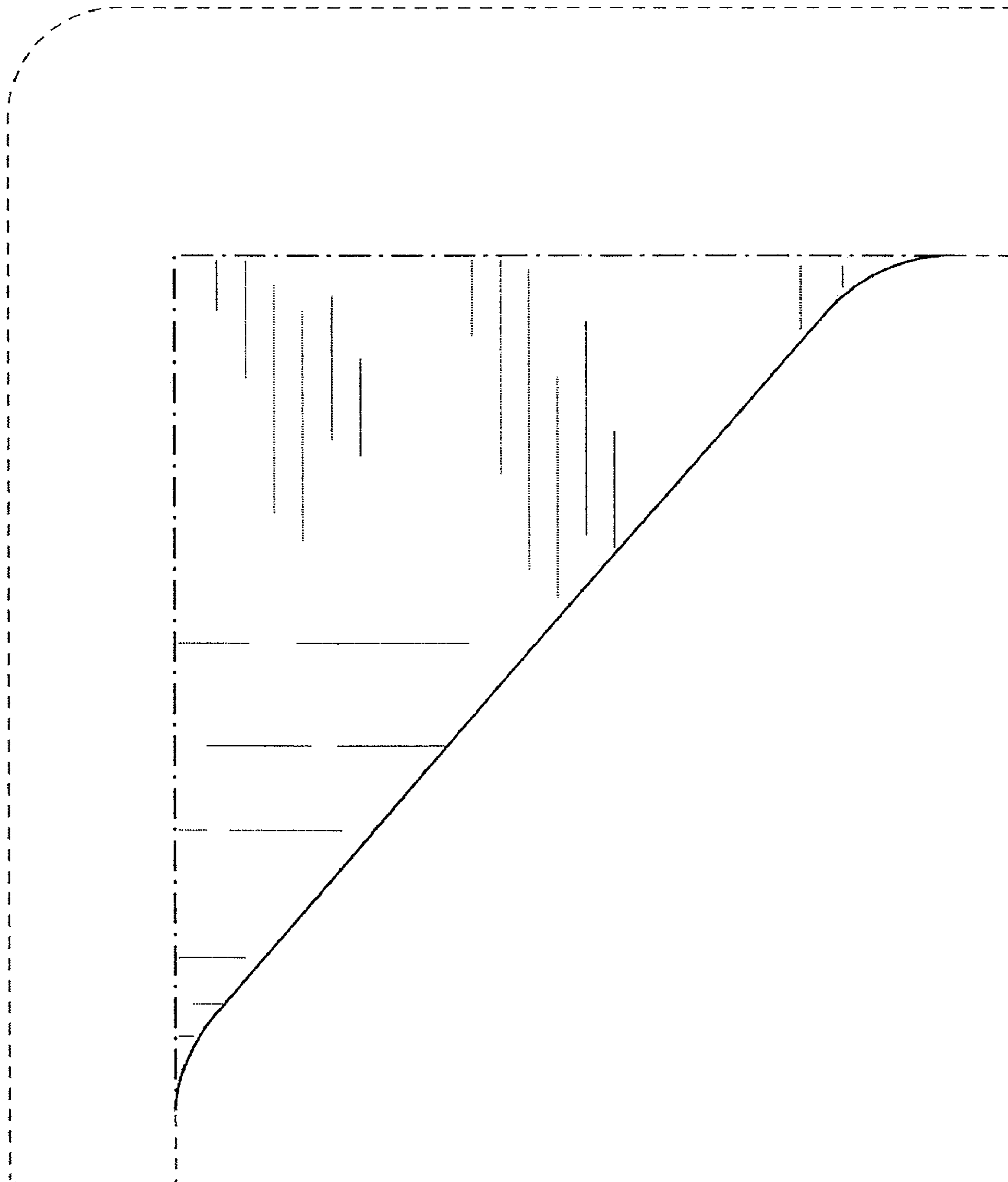


FIG. 10

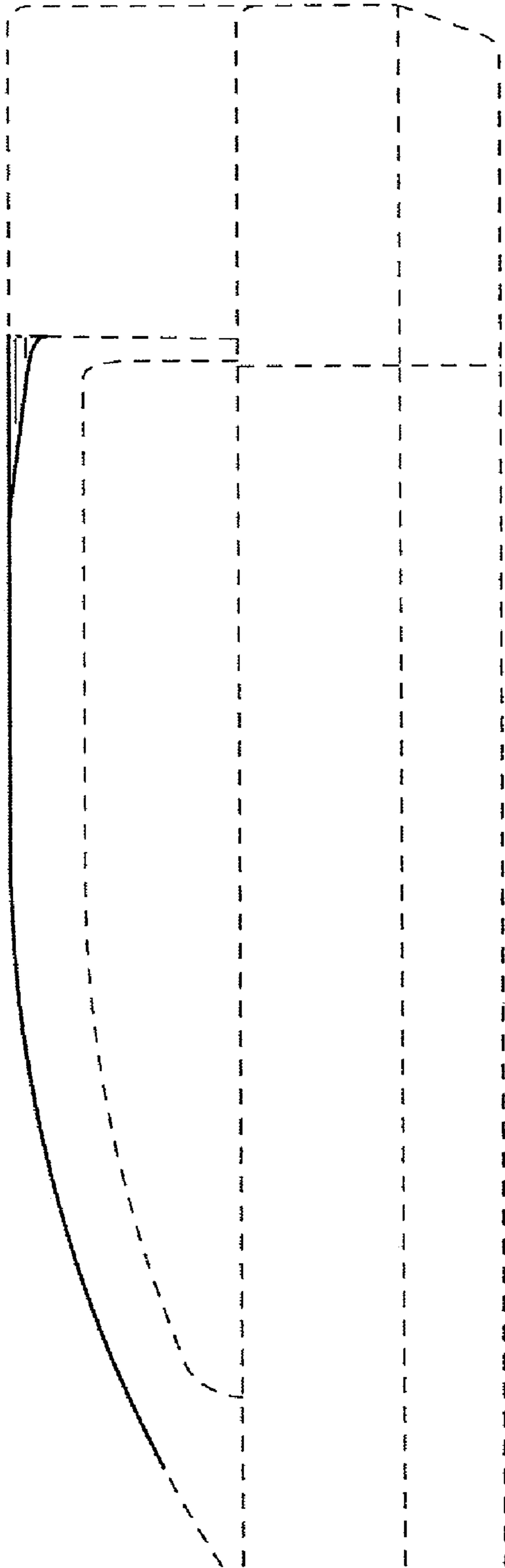


FIG.11

