



US00D595357S

(12) **United States Design Patent**
Simpson

(10) **Patent No.:** **US D595,357 S**

(45) **Date of Patent:** **** Jun. 30, 2009**

(54) **CLIPBOARD**

(76) **Inventor:** **Robert Allen Simpson**, 926 Sycamore Ave., Tinton Falls, NJ (US) 07724

(**) **Term:** **14 Years**

(21) **Appl. No.:** **29/291,732**

(22) **Filed:** **Sep. 13, 2007**

(51) **LOC (9) Cl.** **19-02**

(52) **U.S. Cl.** **D19/88**

(58) **Field of Classification Search** D6/419,
D6/420; D19/52, 88; 206/215, 224, 371,
206/425; 220/812; 248/441.1, 442.2, 447,
248/452; 281/45; 312/231; 362/99

See application file for complete search history.

(56) **References Cited**

U.S. PATENT DOCUMENTS

434,506	A *	8/1890	Frankey	211/50
1,375,399	A *	4/1921	Leonard	241/95
1,668,912	A *	5/1928	Keays et al.	24/67.5
D174,188	S *	3/1955	Martin	D19/52
3,670,370	A *	6/1972	Goodwin	24/67.7

D224,138	S *	7/1972	Mahler	D6/583
3,833,970	A *	9/1974	Smith, Jr.	24/67.5
D256,754	S *	9/1980	LoJacono et al.	D6/418
D285,270	S *	8/1986	Hannah et al.	D6/511
D303,811	S *	10/1989	de Witt	D19/65
D334,213	S *	3/1993	Evenson	D19/88
D344,197	S *	2/1994	Numbers	D6/419
D382,735	S *	8/1997	Zapf	D6/492
D491,001	S *	6/2004	Adams et al.	D6/419

* cited by examiner

Primary Examiner—Elizabeth A Albert

(57) **CLAIM**

The ornamental design for the clipboard, as shown and described.

DESCRIPTION

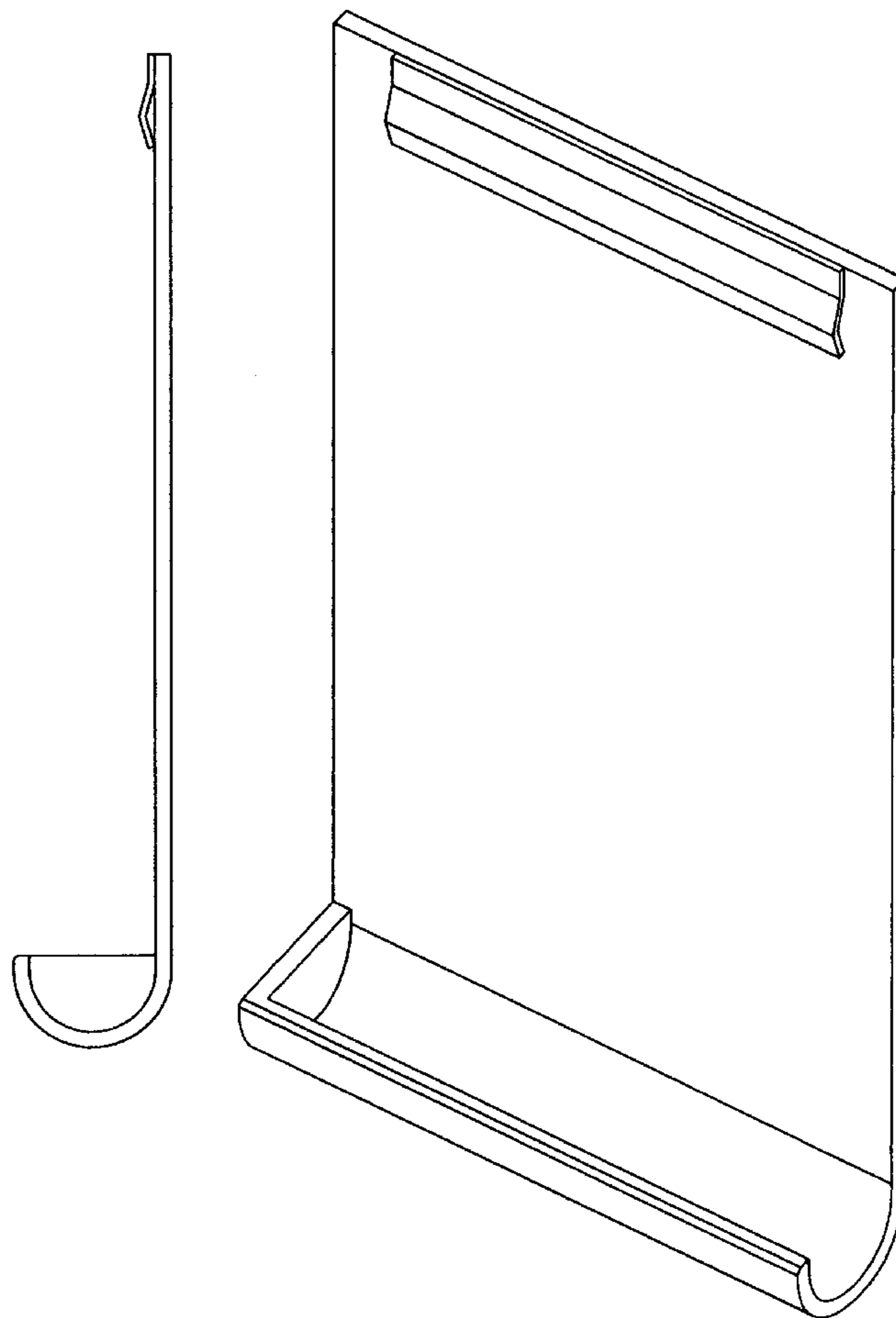
FIG. 1 is a top view of my new design for a clipboard.

FIG. 2 is a front view thereof;

FIG. 3 is a side view thereof; and,

FIG. 4 is a top front perspective view thereof.

1 Claim, 2 Drawing Sheets



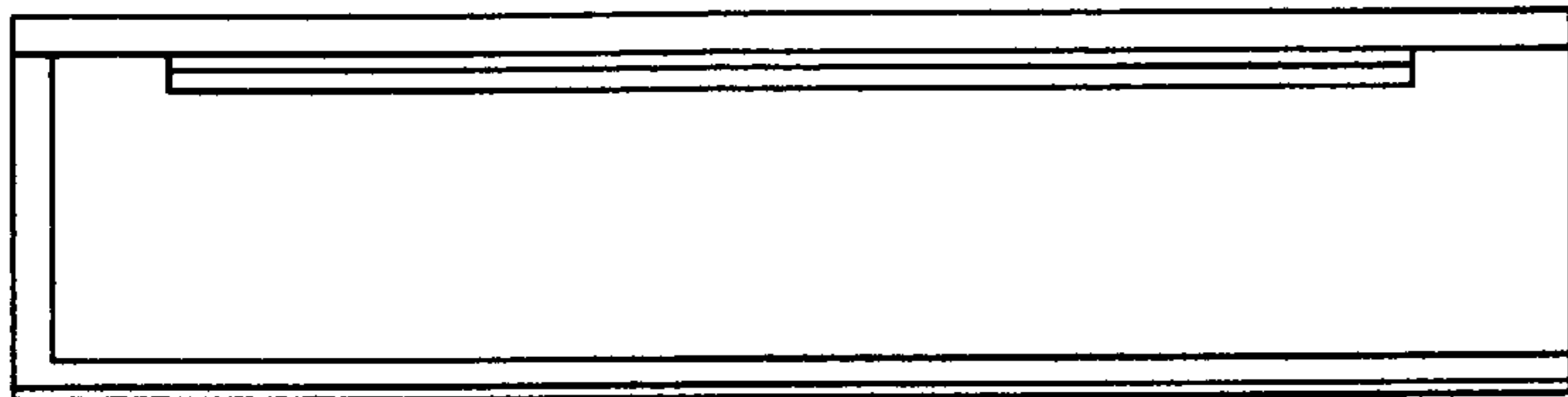


FIG. 1

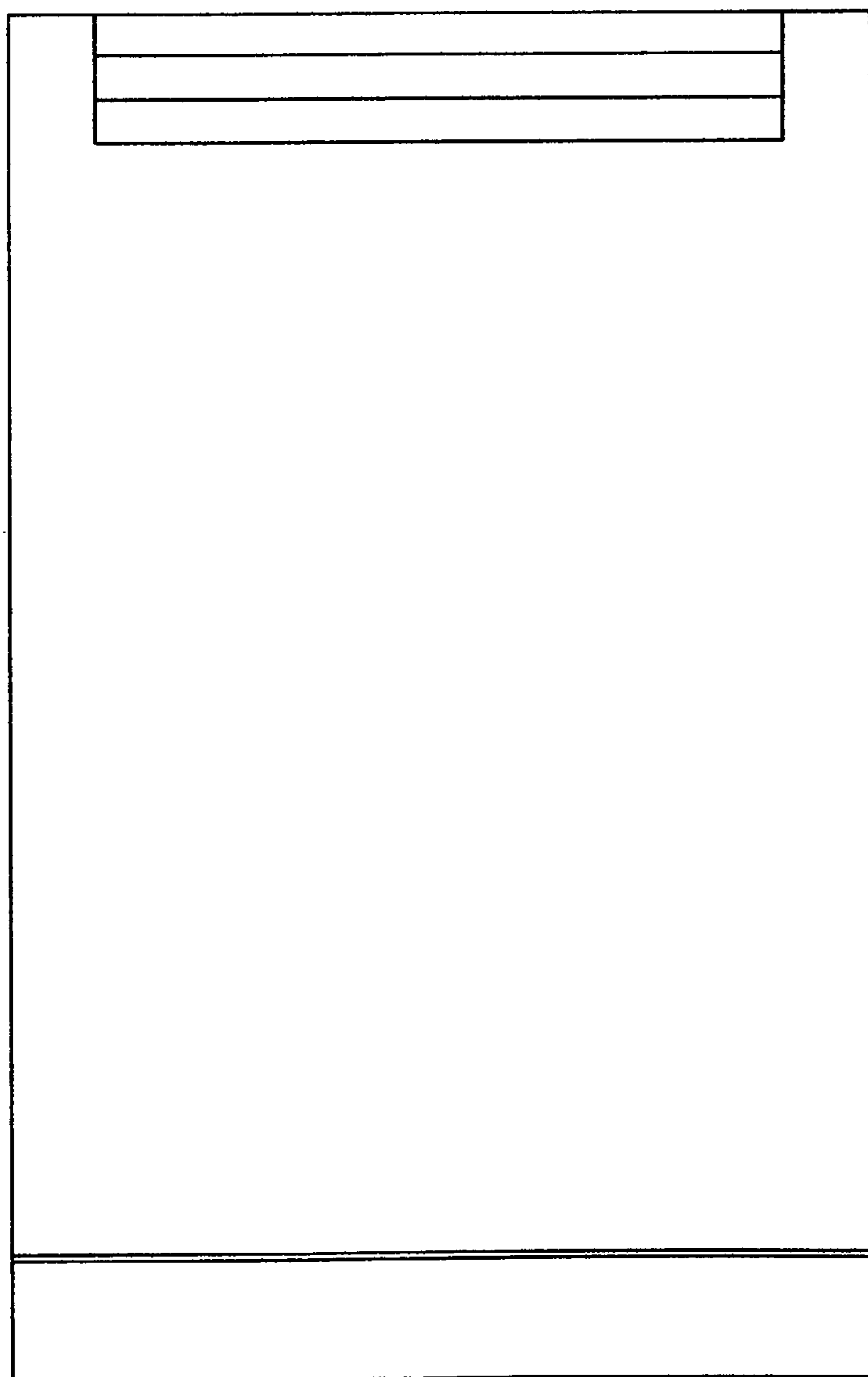


FIG. 2

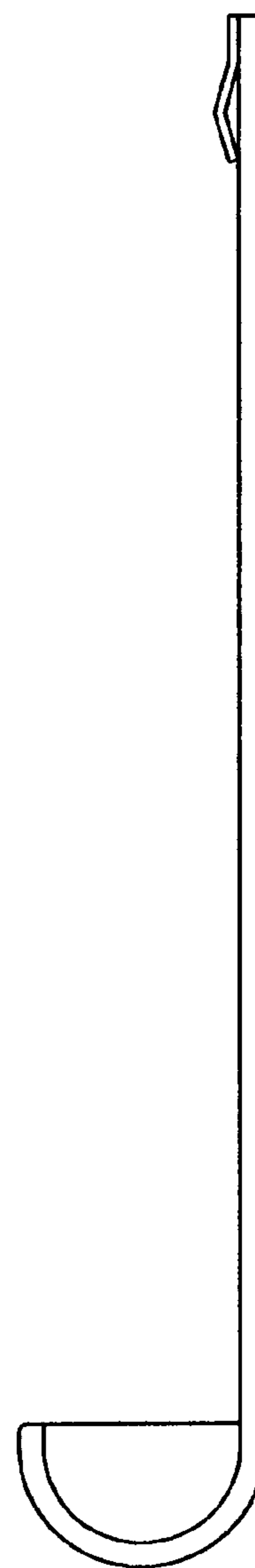


FIG. 3

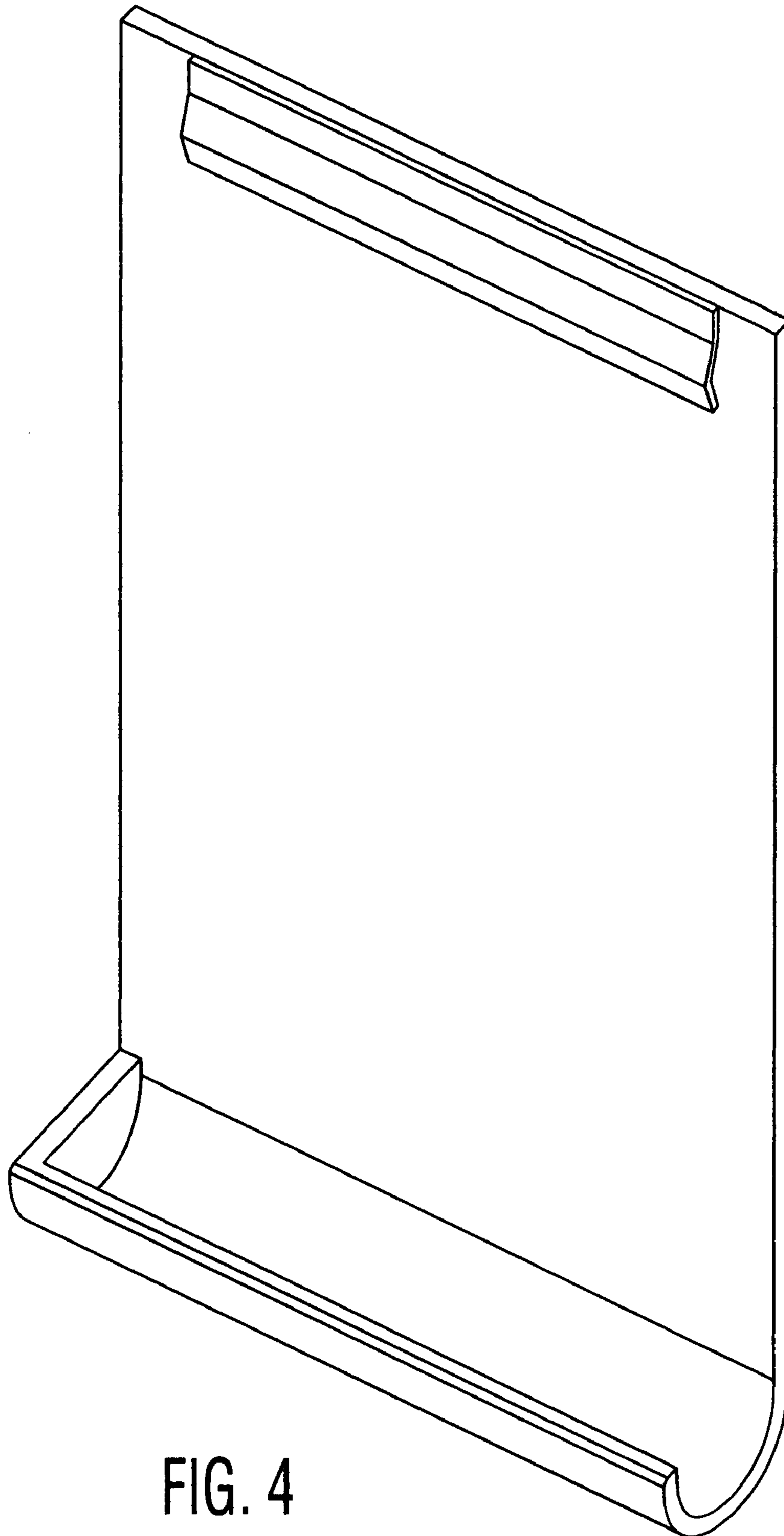


FIG. 4