



US00D595351S

(12) **United States Design Patent**
Yu et al.

(10) **Patent No.:** **US D595,351 S**
(45) **Date of Patent:** **** Jun. 30, 2009**

(54) **HIGHLIGHTER**

(75) Inventors: **Fei Yu**, Ningbo (CN); **Qiankun Ma**,
Ningbo (CN)

(73) Assignee: **Beifa Group Co., Ltd.**, Ningbo (CN)

(**) Term: **14 Years**

(21) Appl. No.: **29/305,269**

(22) Filed: **Mar. 17, 2008**

(30) **Foreign Application Priority Data**

Sep. 18, 2007 (CN) 2007 3 0323376

(51) **LOC (9) Cl.** **19-06**

(52) **U.S. Cl.** **D19/43**

(58) **Field of Classification Search** D19/35,
D19/36, 41, 42, 43, 44, 45, 46, 47, 48, 49,
D19/50, 51, 54, 55, 56, 57, 58; D27/146;
24/11 F, 11 P, 11 R; 401/6, 52, 99, 100,
401/104, 105, 106, 107, 108, 109, 192, 195,
401/243, 244, 245, 246, 247; 708/107
See application file for complete search history.

(56) **References Cited**

U.S. PATENT DOCUMENTS

- 3,776,673 A * 12/1973 DeGroft 425/125
- D417,698 S * 12/1999 Tsuchida D19/45
- D418,163 S 12/1999 Rosen
- D435,065 S 12/2000 Nagel
- D452,526 S 12/2001 Nishida
- D452,878 S 1/2002 Candelora
- D470,888 S * 2/2003 Kuboshima D19/65
- D491,986 S * 6/2004 Bain D19/69
- 6,802,664 B2 * 10/2004 Vial et al. 401/6
- D502,215 S * 2/2005 Hung D19/36
- D535,330 S 1/2007 Hung
- D545,364 S * 6/2007 Ternovits D19/43

- D545,898 S * 7/2007 Iwasaki D19/41
- D566,175 S * 4/2008 Qiu et al. D19/44
- D572,306 S * 7/2008 Qiu et al. D19/36
- D572,753 S * 7/2008 Brigham et al. D19/41
- D572,754 S * 7/2008 Li D19/43
- D572,755 S * 7/2008 Brigham et al. D19/44
- D573,183 S * 7/2008 Qiu et al. D19/36
- D581,460 S * 11/2008 Zhao et al. D19/44

* cited by examiner

Primary Examiner—Caron Veynar

Assistant Examiner—Karen E Eldridge Powers

(74) *Attorney, Agent, or Firm*—Christensen O'Connor
Johnson Kindness PLLC

(57) **CLAIM**

The ornamental design for a highlighter, as shown and described.

DESCRIPTION

FIG. 1 is an upper front right perspective view of a highlighter showing our new design;

FIG. 2 is an exploded lower front left perspective view thereof;

FIG. 3 is an upper front right perspective view thereof, with the cap removed and placed on the opposite end of the highlighter;

FIG. 4 is an enlarged top plan view of the highlighter shown in FIG. 1;

FIG. 5 is an enlarged bottom plan view thereof;

FIG. 6 is a left side elevation view thereof;

FIG. 7 is a front elevation view thereof;

FIG. 8 is a right side elevation view thereof; and,

FIG. 9 is a rear elevation view thereof.

1 Claim, 4 Drawing Sheets

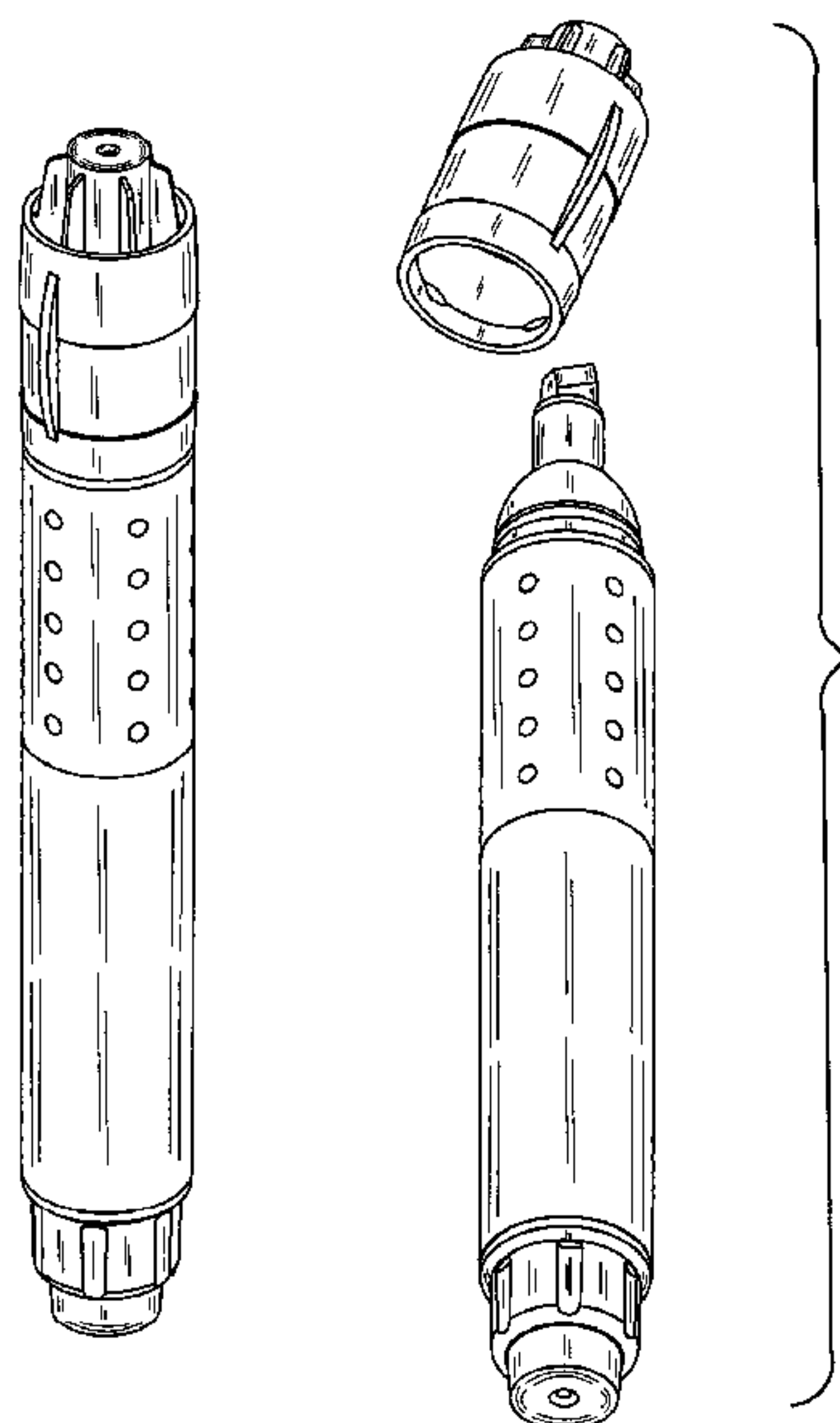


Fig. 1.

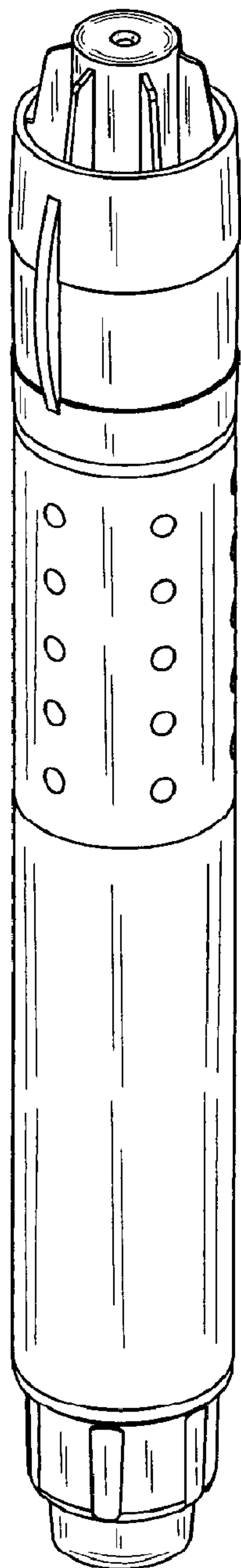
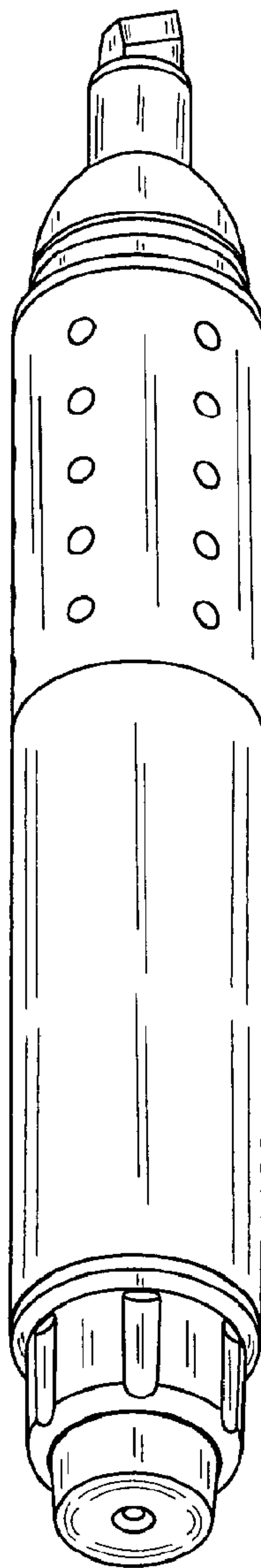
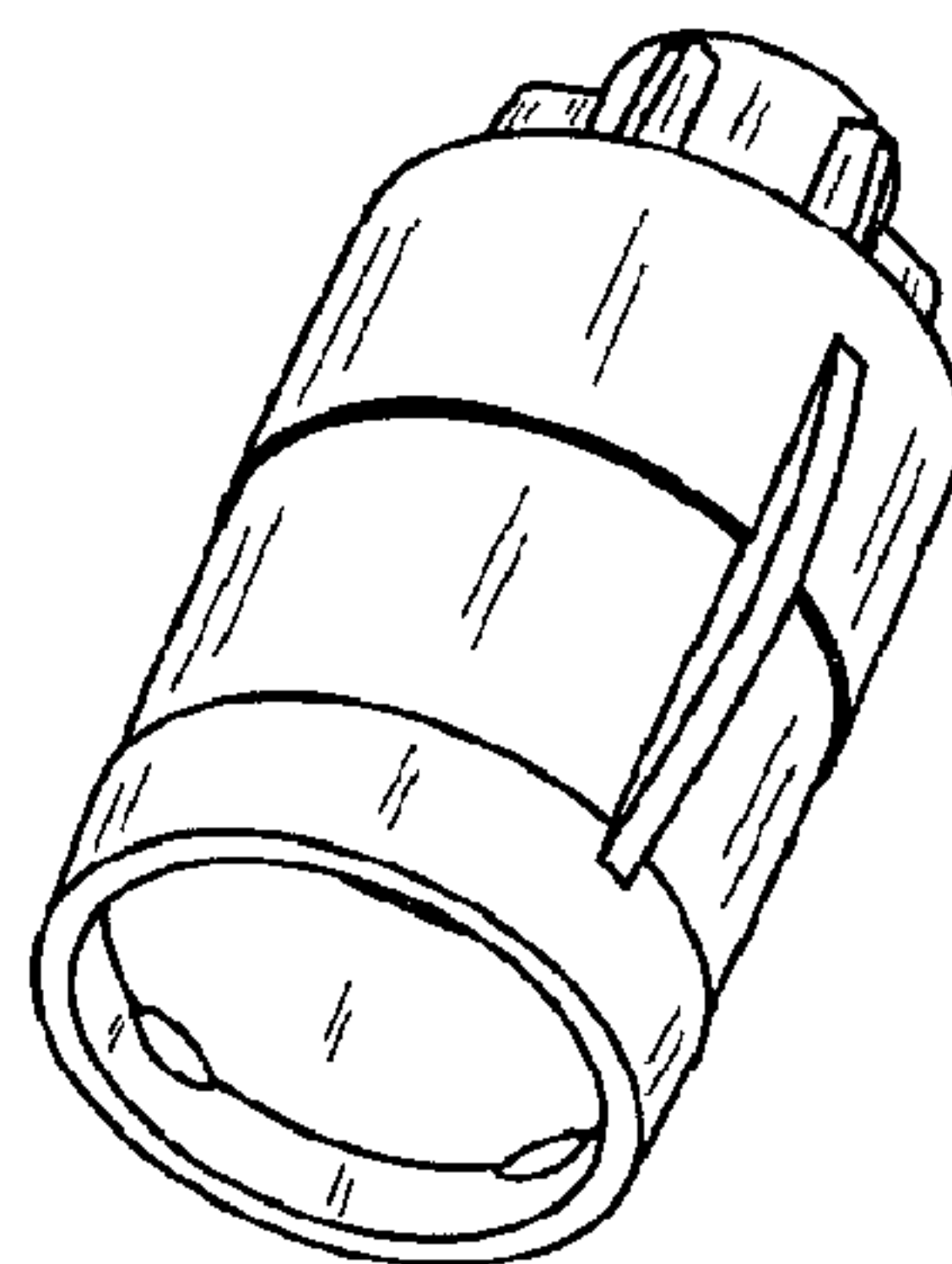


Fig. 2.



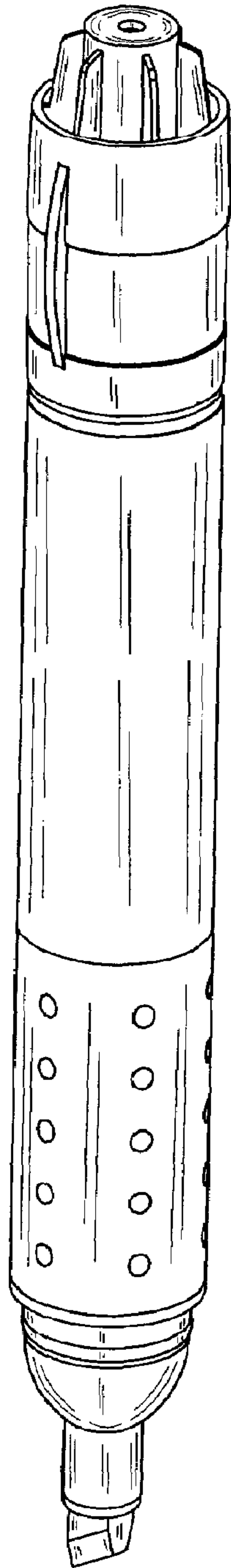


Fig. 3.

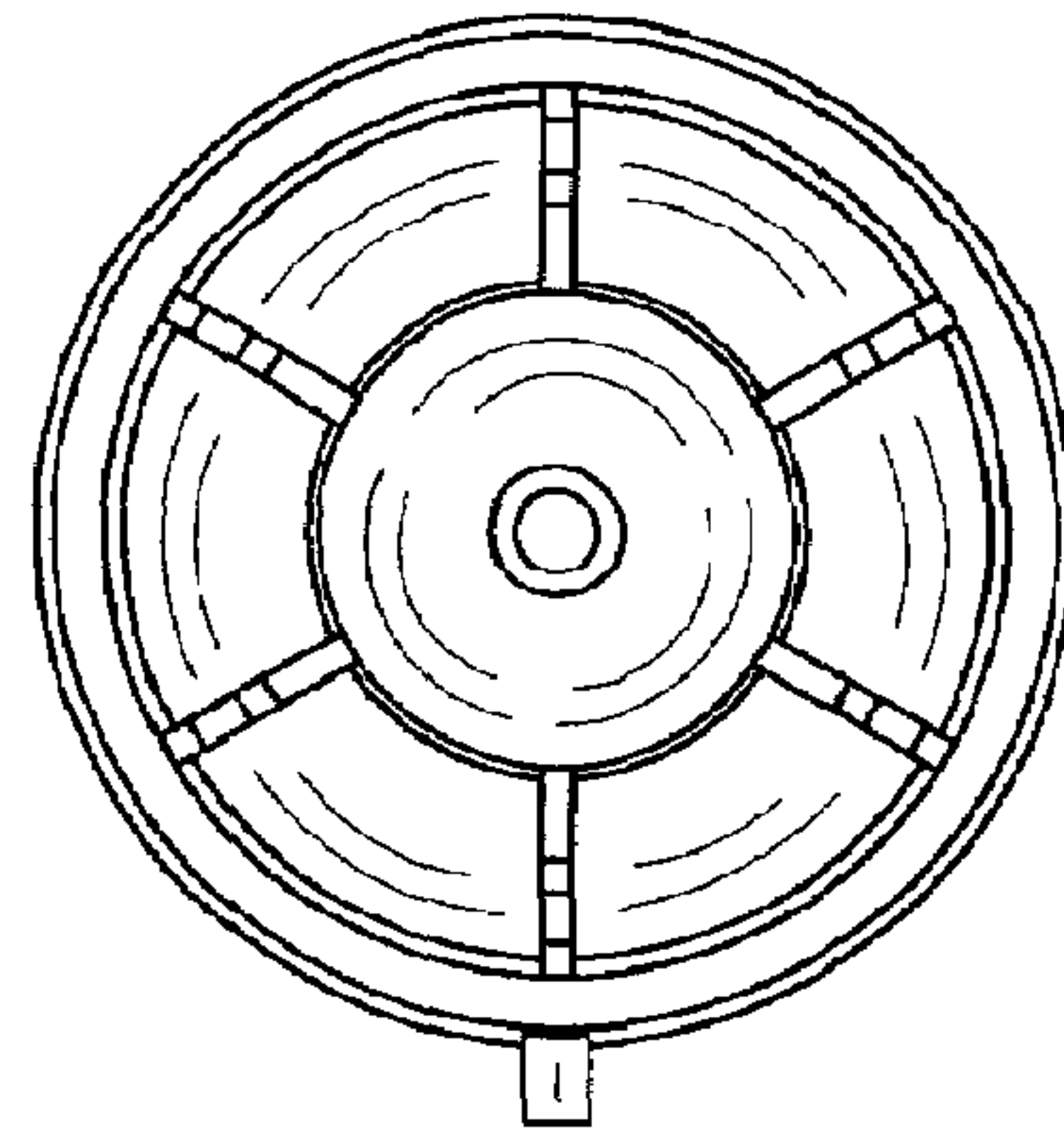


Fig. 4.

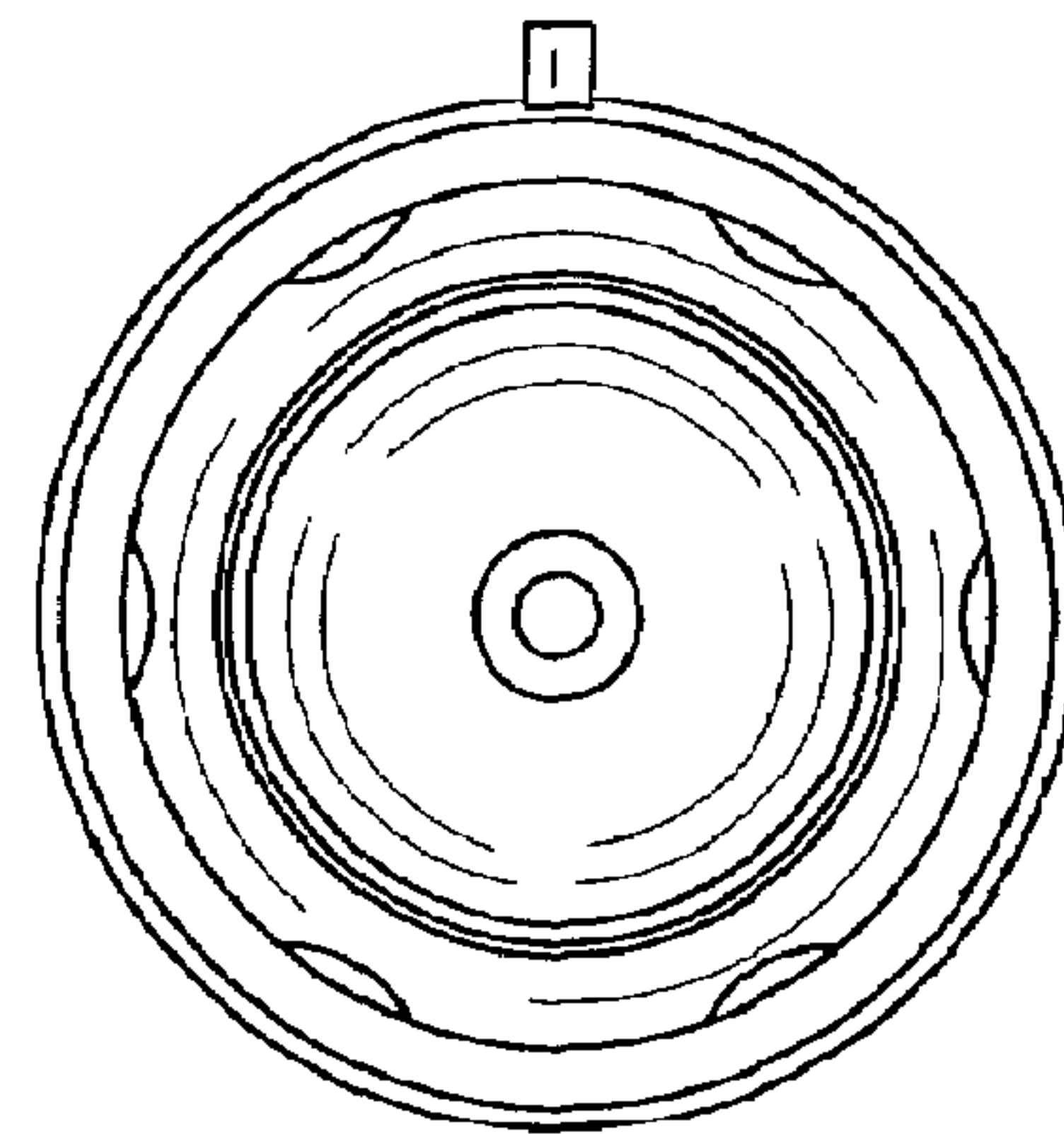


Fig. 5.

Fig. 6.

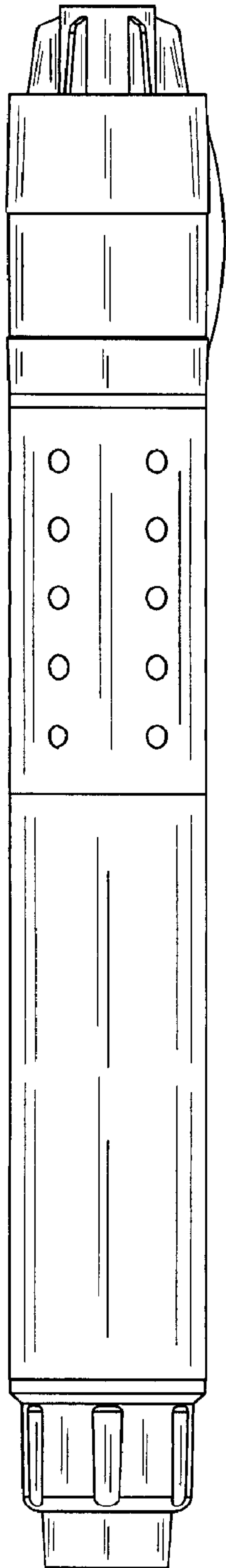
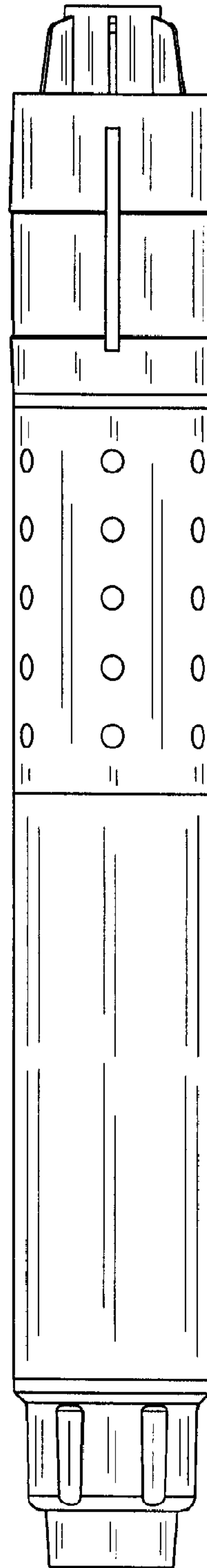


Fig. 7.



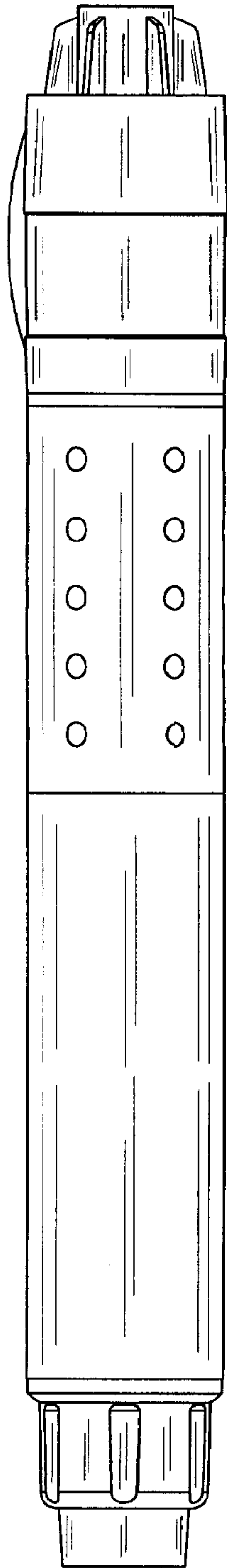


Fig. 8.

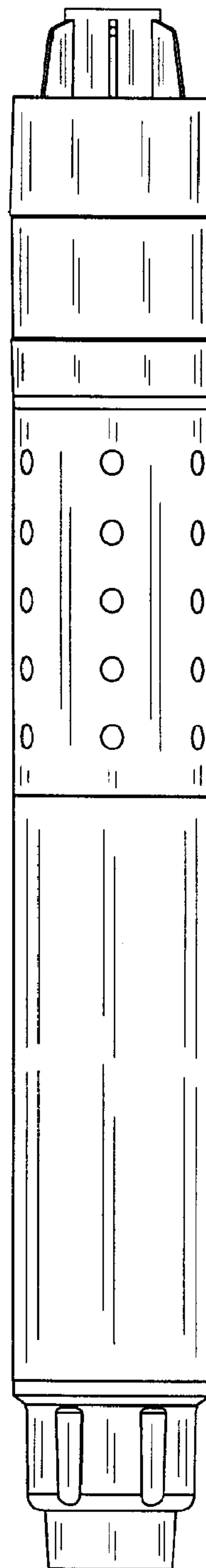


Fig. 9.