

US00D595349S

(12) **United States Design Patent**
Tartaglia

(10) **Patent No.:** **US D595,349 S**

(45) **Date of Patent:** **** Jun. 30, 2009**

(54) **BOOKMARK**

(76) Inventor: **John Joseph Tartaglia**, 1305 NE.
McClain Rd., Suite 5, Bentonville, AR
(US) 72712

(**) Term: **14 Years**

(21) Appl. No.: **29/293,269**

(22) Filed: **Nov. 13, 2007**

(51) **LOC (9) Cl.** **19-99**

(52) **U.S. Cl.** **D19/34**

(58) **Field of Classification Search** D19/34,
D19/36, 1, 2, 32; D8/394; D11/78.1; D9/600;
116/236, 237, 238, 239, 240, 234, 235; 24/67 R;
281/142; 40/124.01
See application file for complete search history.

(56) **References Cited**

U.S. PATENT DOCUMENTS

D300,228 S *	3/1989	Eddins	D19/34
D362,016 S *	9/1995	Faulkingham	D19/34
D374,459 S *	10/1996	Vartanian	D19/34
6,205,947 B1 *	3/2001	Drew	116/235

D453,185 S *	1/2002	Kehrlein	D19/34
D469,121 S *	1/2003	Manzo	D19/34
D518,101 S *	3/2006	Boone-Johnson	D19/34
D552,173 S *	10/2007	Scolaro	D19/34

* cited by examiner

Primary Examiner—Cathron Brooks
Assistant Examiner—Austin Murphy
(74) *Attorney, Agent, or Firm*—Keisling Piepers & Scott,
PLC; Meredith K. Lowry

(57) **CLAIM**

The ornamental design for a bookmark, as shown and described.

DESCRIPTION

FIG. 1 is a perspective view of a bookmark showing my design;

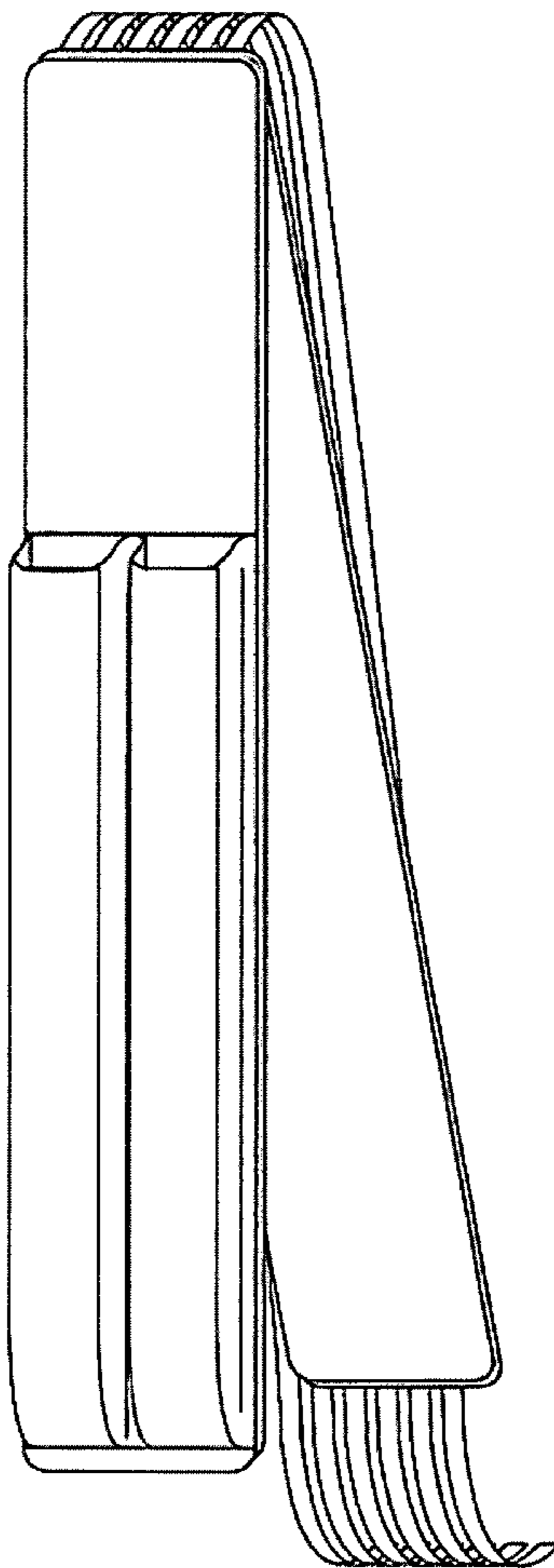
FIG. 2 is a front elevational view thereof;

FIG. 3 is a right side elevational view thereof;

FIG. 4 is a left side elevational view thereof; and,

FIG. 5 is a back elevational view thereof.

1 Claim, 3 Drawing Sheets



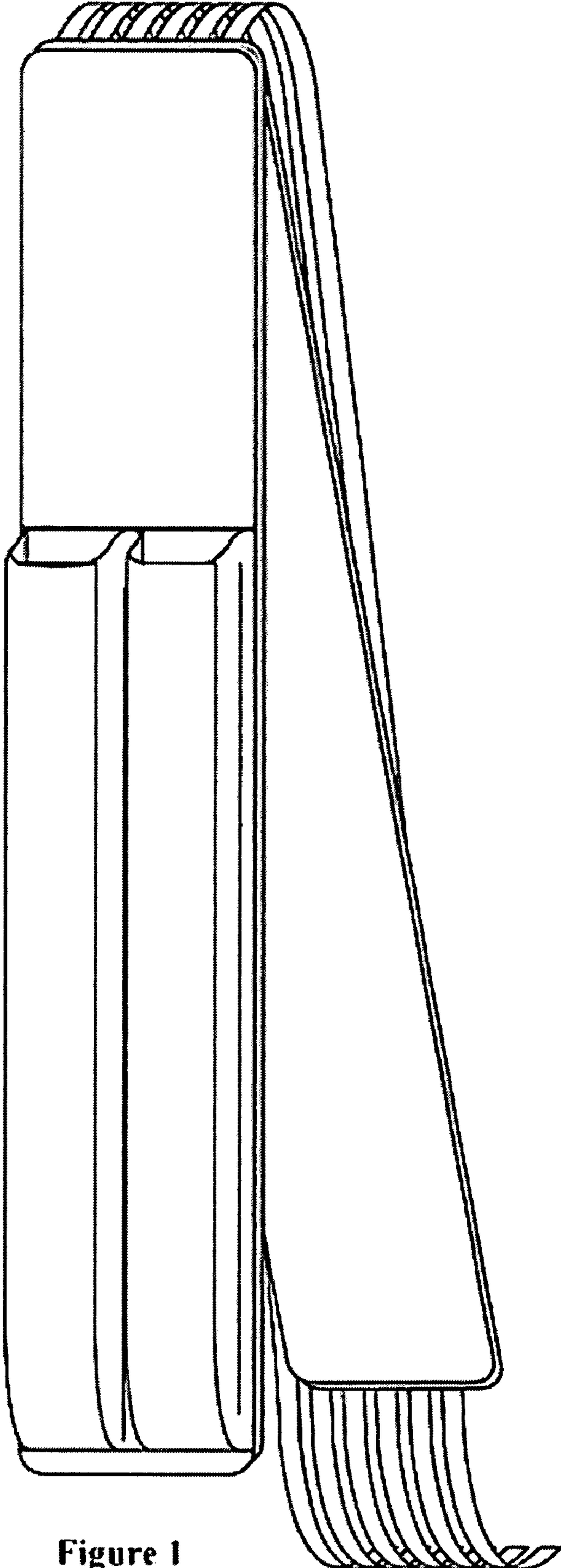


Figure 1

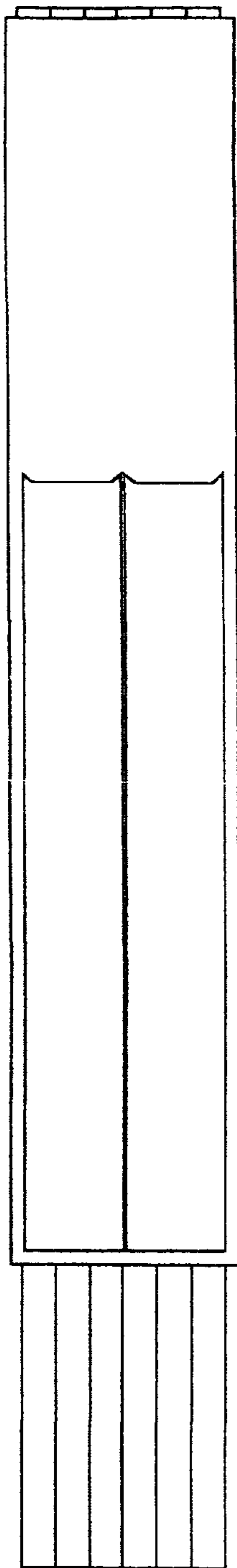


Figure 2

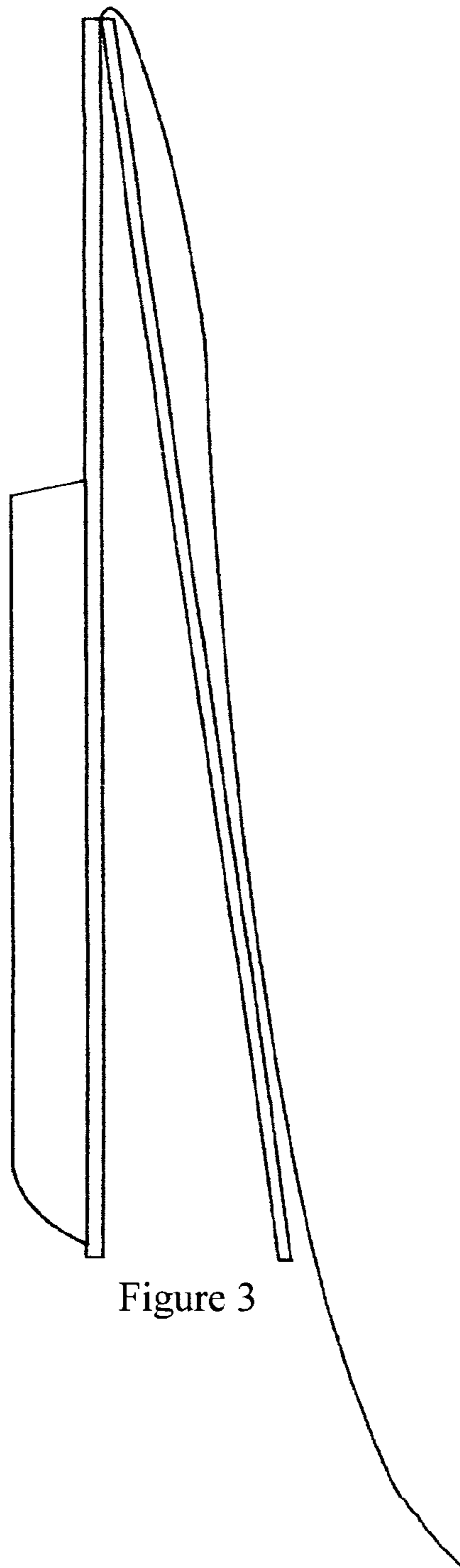


Figure 3

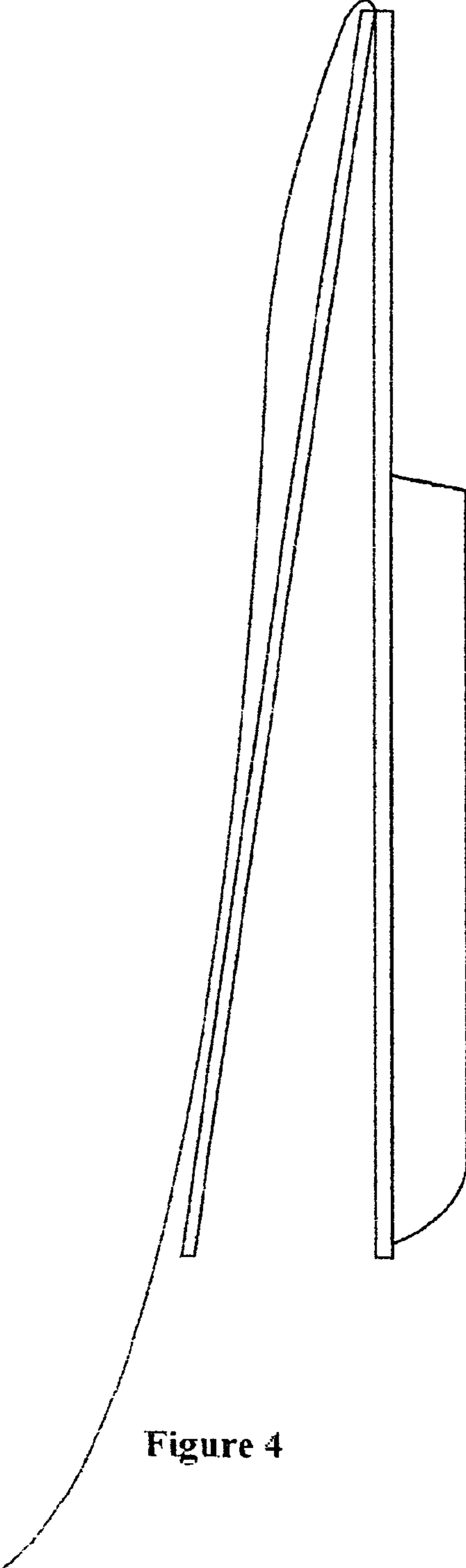


Figure 4

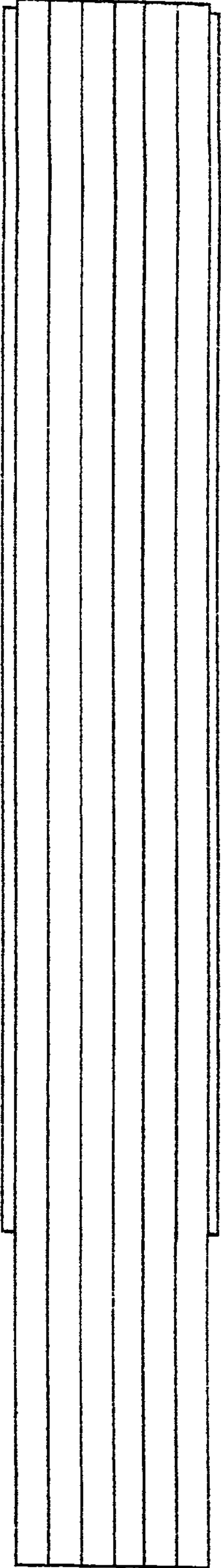


Figure 5