



US00D595347S

(12) **United States Design Patent**  
**Tjin Wong Joe et al.**

(10) **Patent No.:** **US D595,347 S**  
(45) **Date of Patent:** **\*\* Jun. 30, 2009**

(54) **PRINTER**

(75) Inventors: **Mylene A. K. Tjin Wong Joe**, Singapore (SG); **Kok Chai Chong**, Yishun (SG); **Qian Tao**, Singapore (SG)

(73) Assignee: **Hewlett-Packard Development Company, L.P.**, Houston, TX (US)

(\*\*) Term: **14 Years**

(21) Appl. No.: **29/305,086**

(22) Filed: **Mar. 13, 2008**

(51) **LOC (9) Cl.** ..... **14-02**

(52) **U.S. Cl.** ..... **D18/55**

(58) **Field of Classification Search** ..... D18/36-39, D18/19, 50, 54, 54.1, 55; D14/420-425, D14/463-470; 400/613, 613.1-613.4, 690.1-690.4, 400/691-694

See application file for complete search history.

(56) **References Cited**

**U.S. PATENT DOCUMENTS**

- D501,667 S \* 2/2005 Ishigami et al. .... D18/50
- D518,515 S \* 4/2006 Miyauchi et al. .... D18/55
- D532,449 S \* 11/2006 Tjin Wong Joe et al. .... D18/55
- D532,450 S \* 11/2006 Smith et al. .... D18/55

- D550,279 S \* 9/2007 Tani ..... D18/50
- D561,250 S \* 2/2008 Smith et al. .... D18/55
- D561,251 S \* 2/2008 Tjin Wong Joe et al. .... D18/55
- D573,633 S \* 7/2008 Laidlaw et al. .... D18/55
- D579,973 S \* 11/2008 Park et al. .... D18/55
- D581,976 S \* 12/2008 Park et al. .... D18/55

\* cited by examiner

*Primary Examiner*—Cathy Anne MacCormac

(57) **CLAIM**

The ornamental design for a printer, as shown and described.

**DESCRIPTION**

FIG. 1 is a front perspective view of a printer showing our new design.

FIG. 2 is a front elevation view of the printer.

FIG. 3 is a right side elevation view of the printer.

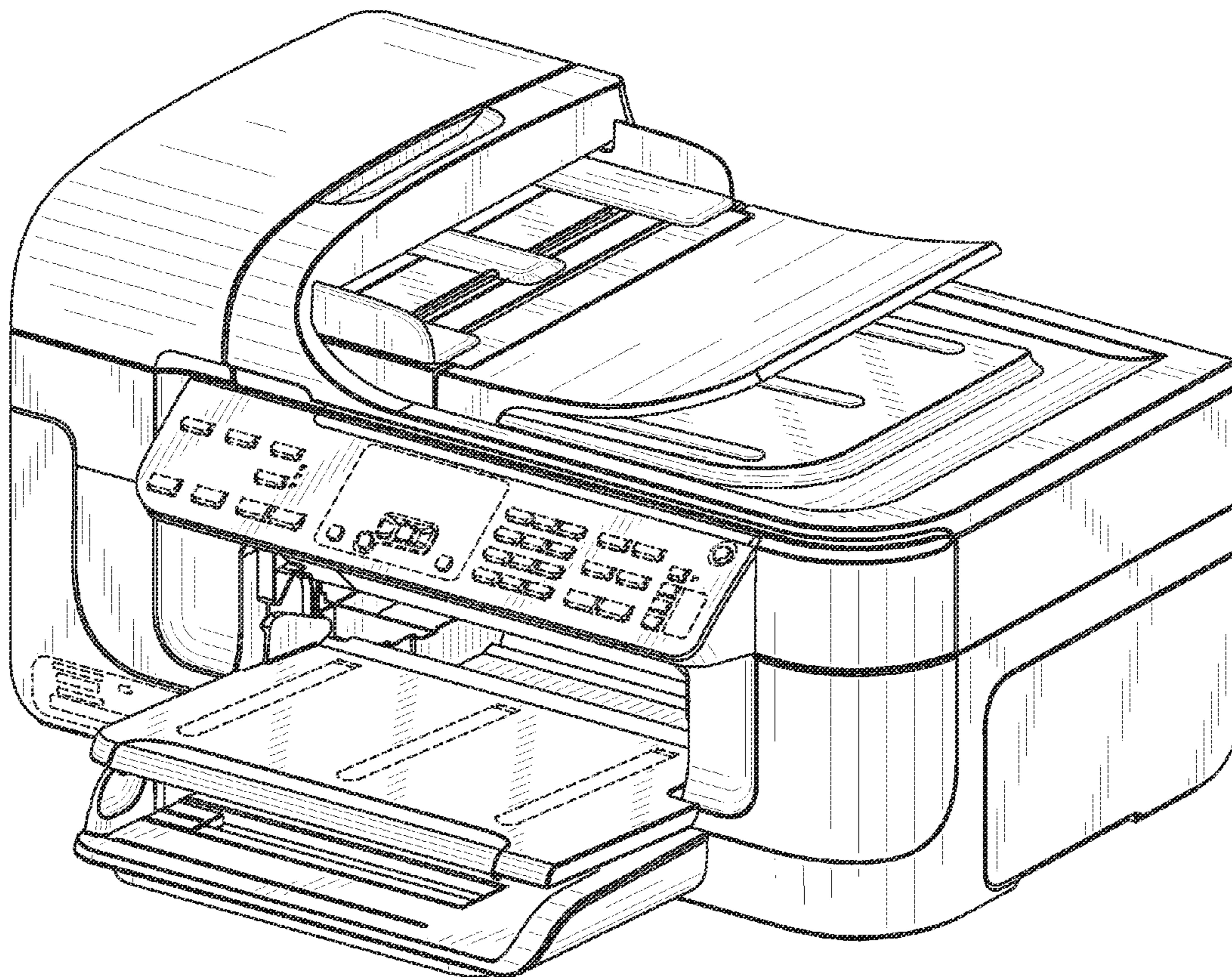
FIG. 4 is a left side elevation view of the printer.

FIG. 5 is a top plan view of the printer; and,

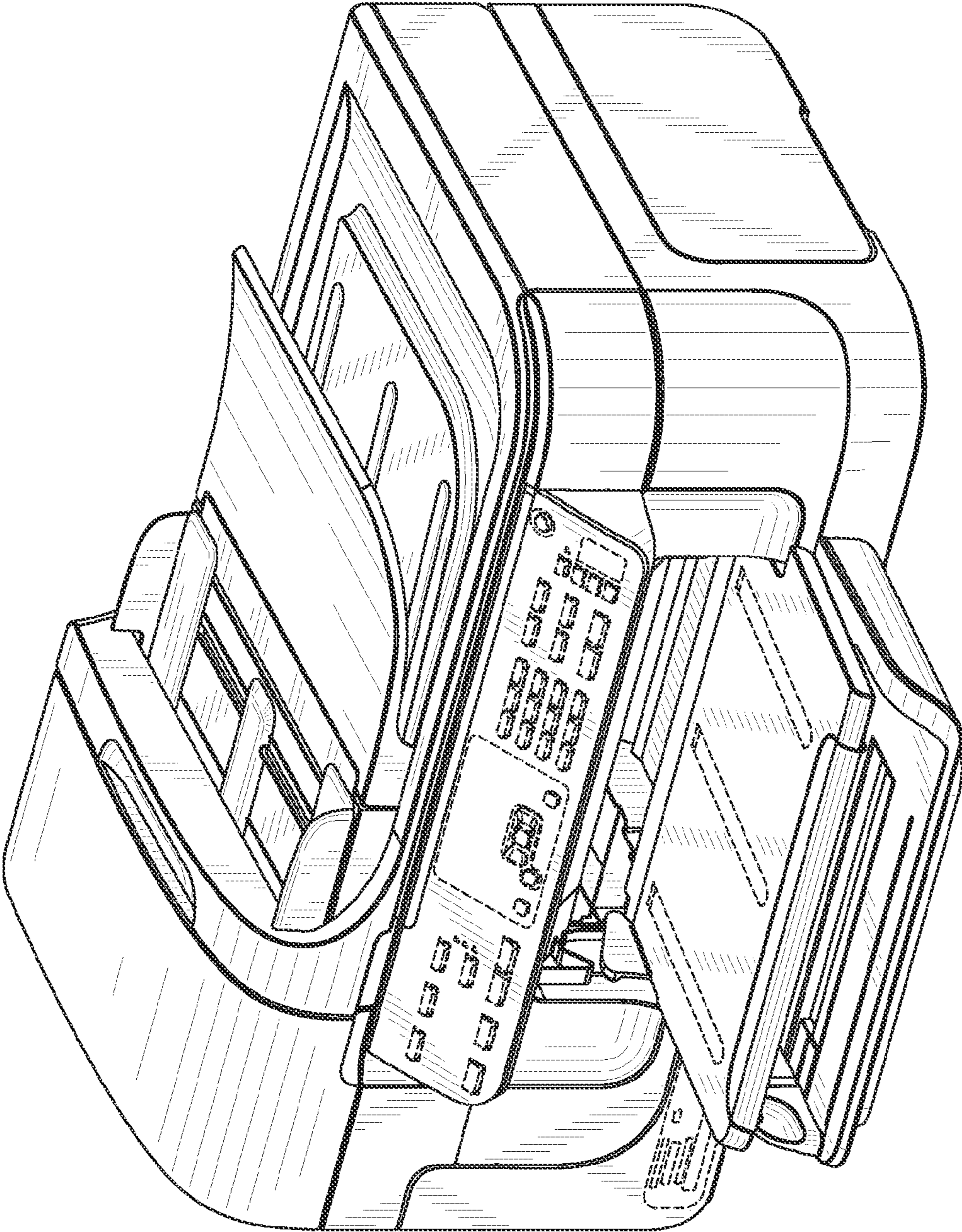
FIG. 6 is a rear elevation view of the printer.

All Figures show various control devices, various connectors of the printer and/or user interface elements of the printer in broken lines. The broken lines in the Figures are for illustrative purposes only and form no part of the claimed design.

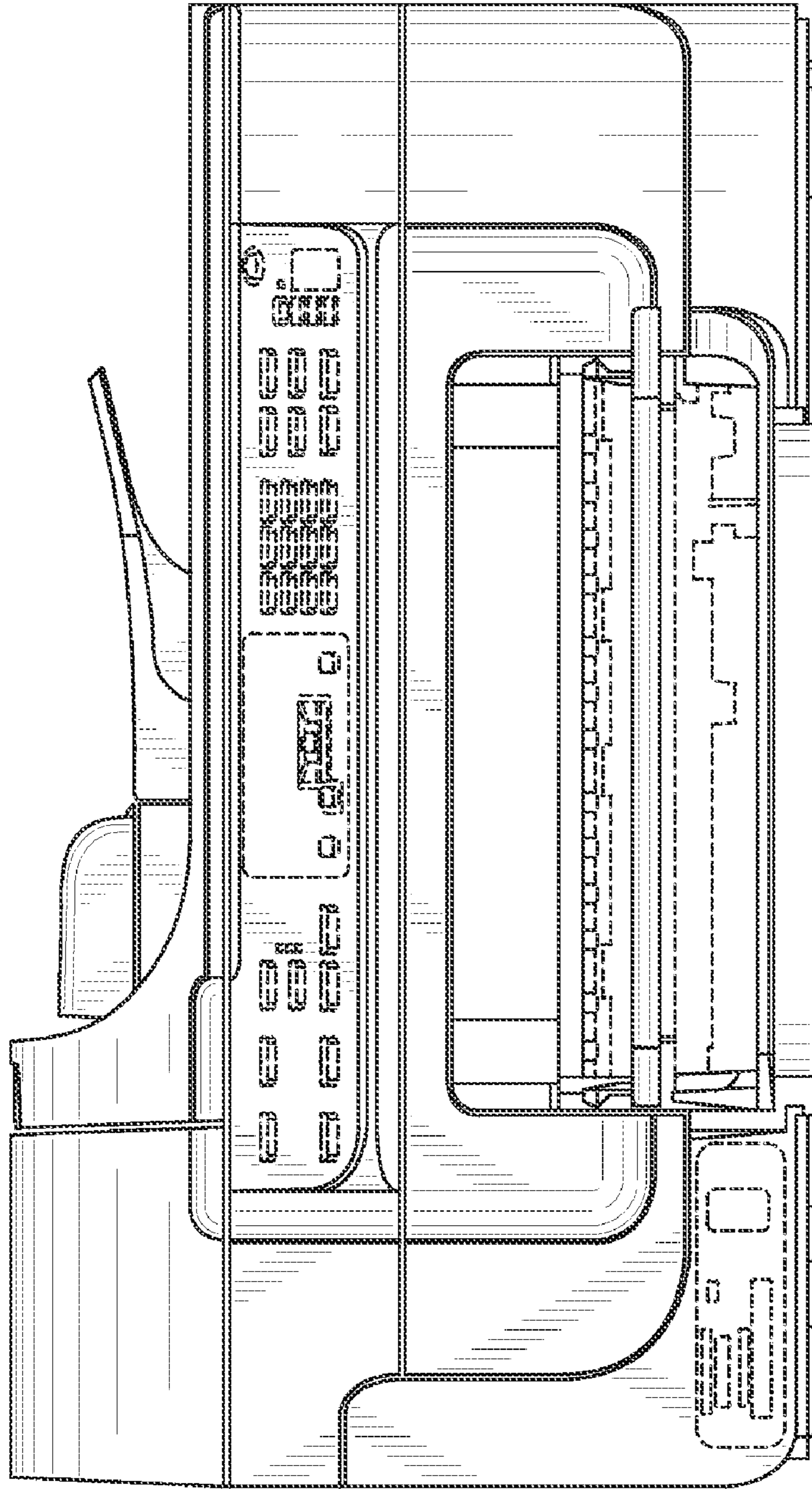
**1 Claim, 6 Drawing Sheets**



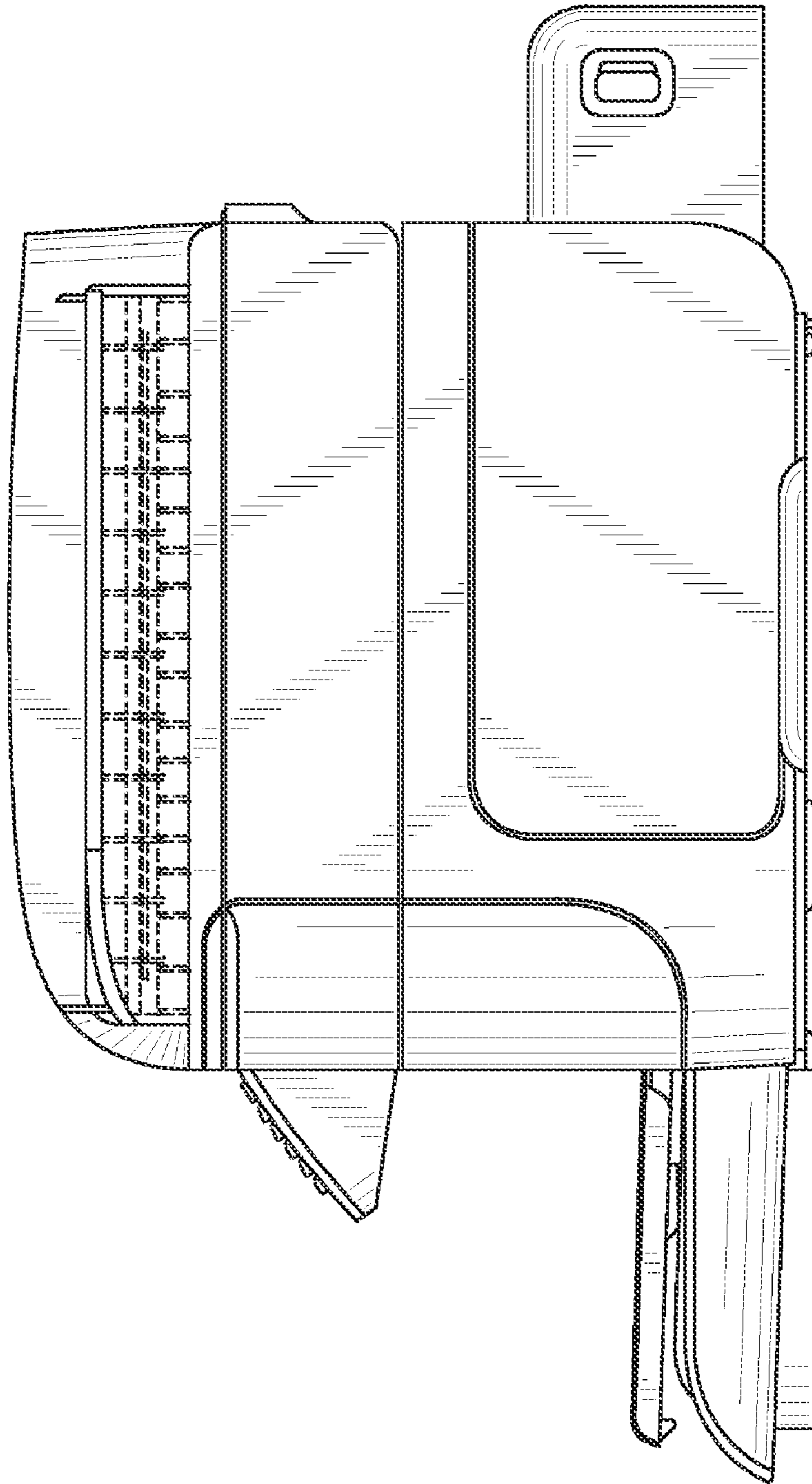




**FIG. 1**

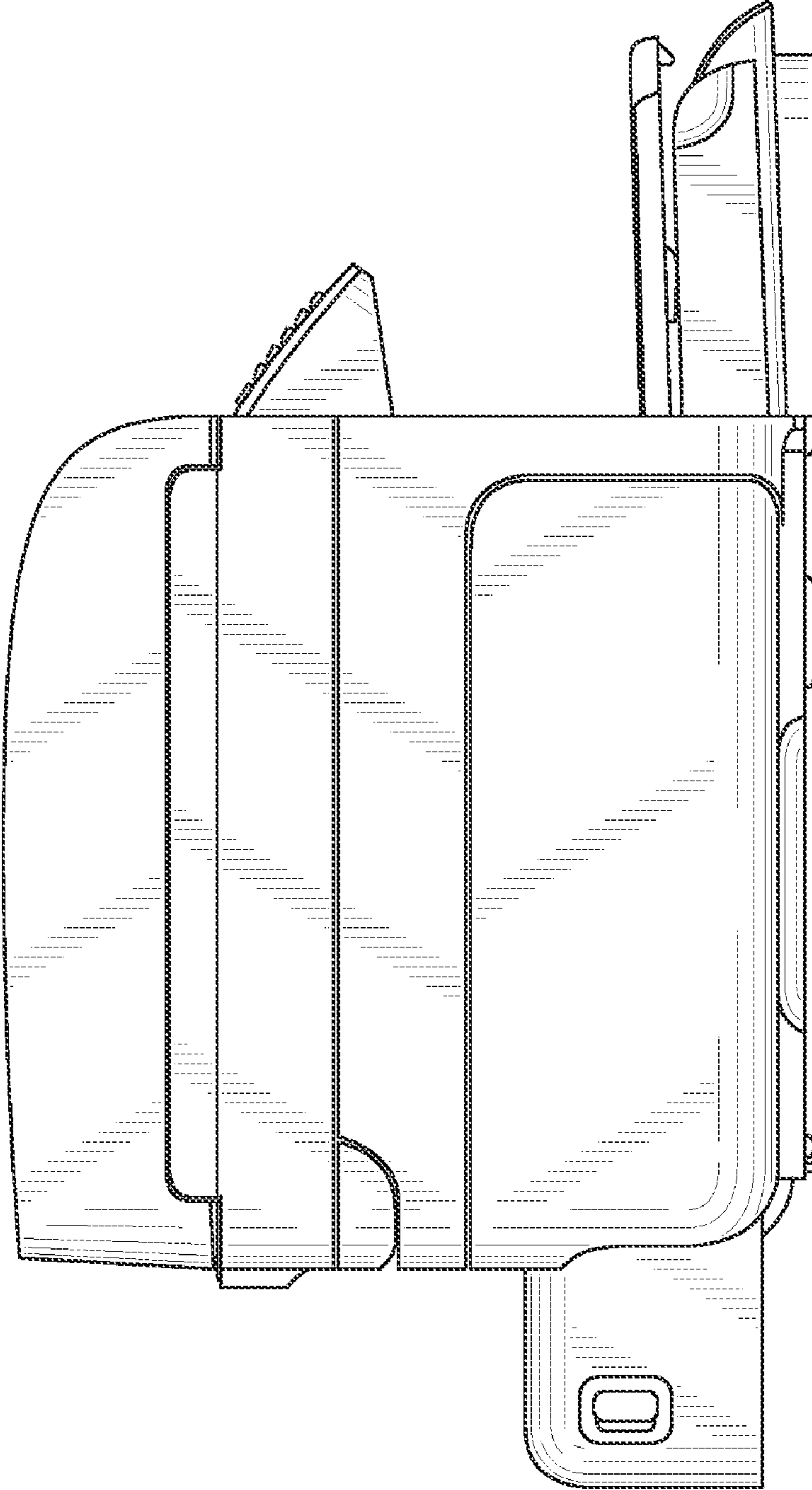


**FIG. 2**



**FIG. 3**





**FIG. 4**

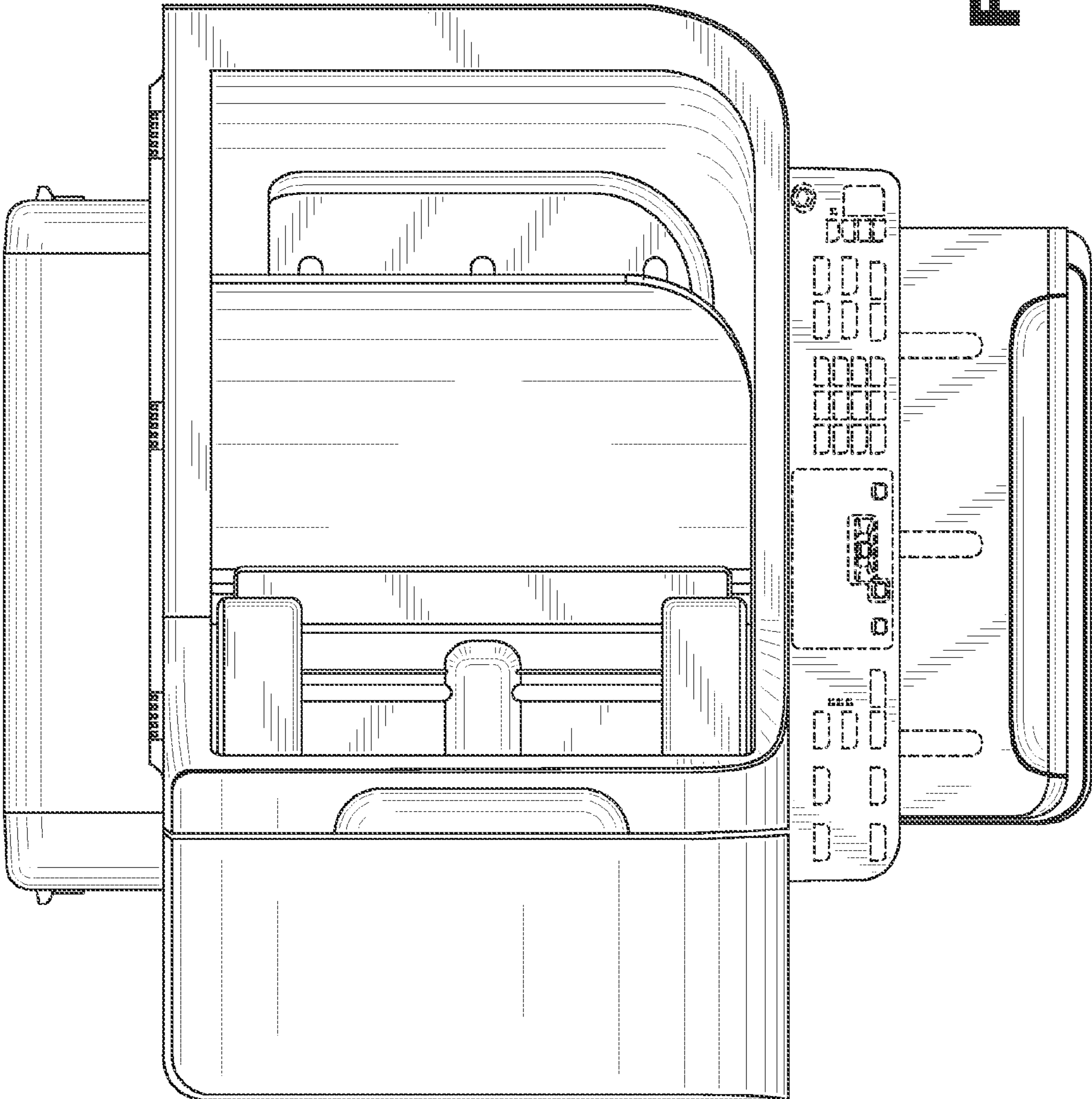
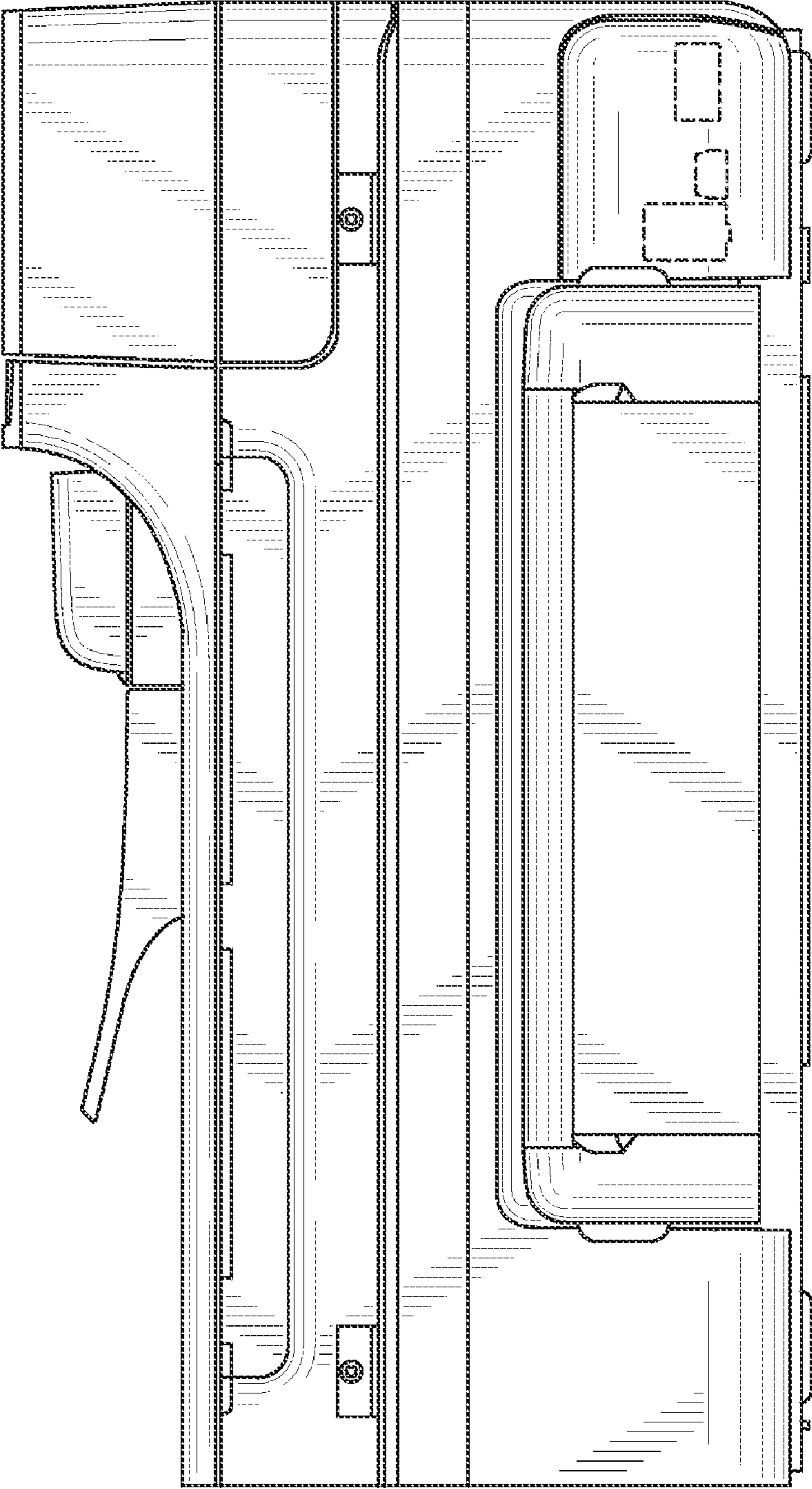


FIG. 5



**FIG. 6**