



US00D595346S

(12) **United States Design Patent**  
**Yamano et al.**

(10) **Patent No.:** **US D595,346 S**  
(45) **Date of Patent:** **\*\* Jun. 30, 2009**

(54) **PRINTER**

(75) Inventors: **Hirokazu Yamano**, Chino (JP); **Tomoko Yagi**, Shiojiri (JP); **Takeo Kishida**, Azumino (JP); **Hirofumi Yanagisawa**, Shiojiri (JP); **Wataru Suzuki**, Shiojiri (JP)

(73) Assignee: **Seiko Epson Corporation** (JP)

(\*\*) Term: **14 Years**

(21) Appl. No.: **29/308,350**

(22) Filed: **Jun. 11, 2008**

(30) **Foreign Application Priority Data**

Mar. 3, 2008 (JP) ..... 2008-005022

(51) **LOC (9) Cl.** ..... **18-01**

(52) **U.S. Cl.** ..... **D18/53**

(58) **Field of Classification Search** ..... D18/34.1, D18/34.2, 36-41, 46-19, 53, 35.1, 51; D14/302, D14/305; 399/1-7, 16, 75, 81, 107, 130, 399/151, 361, 365, 367, 381-383, 388  
See application file for complete search history.

(56) **References Cited**

**U.S. PATENT DOCUMENTS**

D212,050 S \* 8/1968 Naderlof et al. .... D18/39  
D332,623 S \* 1/1993 Iwanaga ..... D18/53  
D347,239 S \* 5/1994 Okamoto et al. .... D18/53

D400,917 S \* 11/1998 Kajikawa et al. .... D18/53  
D407,740 S \* 4/1999 Ina et al. .... D18/53  
D408,848 S \* 4/1999 Flores et al. .... D18/53  
D445,824 S \* 7/2001 Yamano et al. .... D18/53  
D450,755 S \* 11/2001 Gimenez et al. .... D18/53  
D458,963 S \* 6/2002 Caamano et al. .... D18/53  
D464,080 S \* 10/2002 Yamano et al. .... D18/53  
D529,545 S \* 10/2006 Kimura et al. .... D18/53  
D544,533 S \* 6/2007 Moliner et al. .... D18/53  
D561,823 S \* 2/2008 Morillo et al. .... D18/53

\* cited by examiner

*Primary Examiner*—Charles A Rademaker

*Assistant Examiner*—Charles D Hanson

(74) *Attorney, Agent, or Firm*—Harness, Dickey & Pierce, P.L.C.

(57) **CLAIM**

The ornamental design for a printer, as shown and described.

**DESCRIPTION**

FIG. 1 is a perspective view of a printer, as viewed from the top, front and right side, embodying our new design;

FIG. 2 is a front view thereof;

FIG. 3 is a rear view thereof;

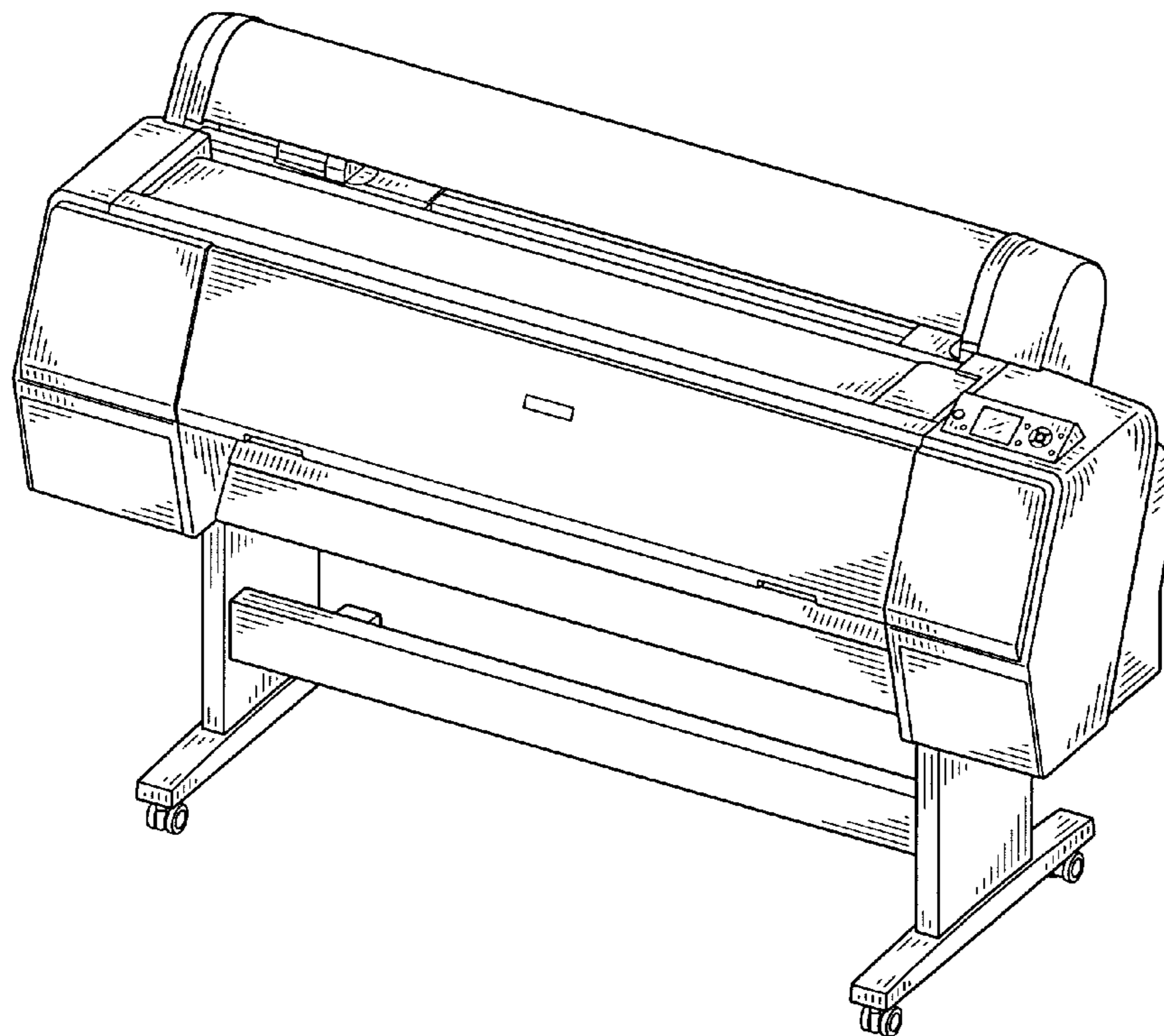
FIG. 4 is a left side view thereof;

FIG. 5 is a right side view thereof;

FIG. 6 is a top view thereof; and,

FIG. 7 is a bottom view thereof.

**1 Claim, 4 Drawing Sheets**



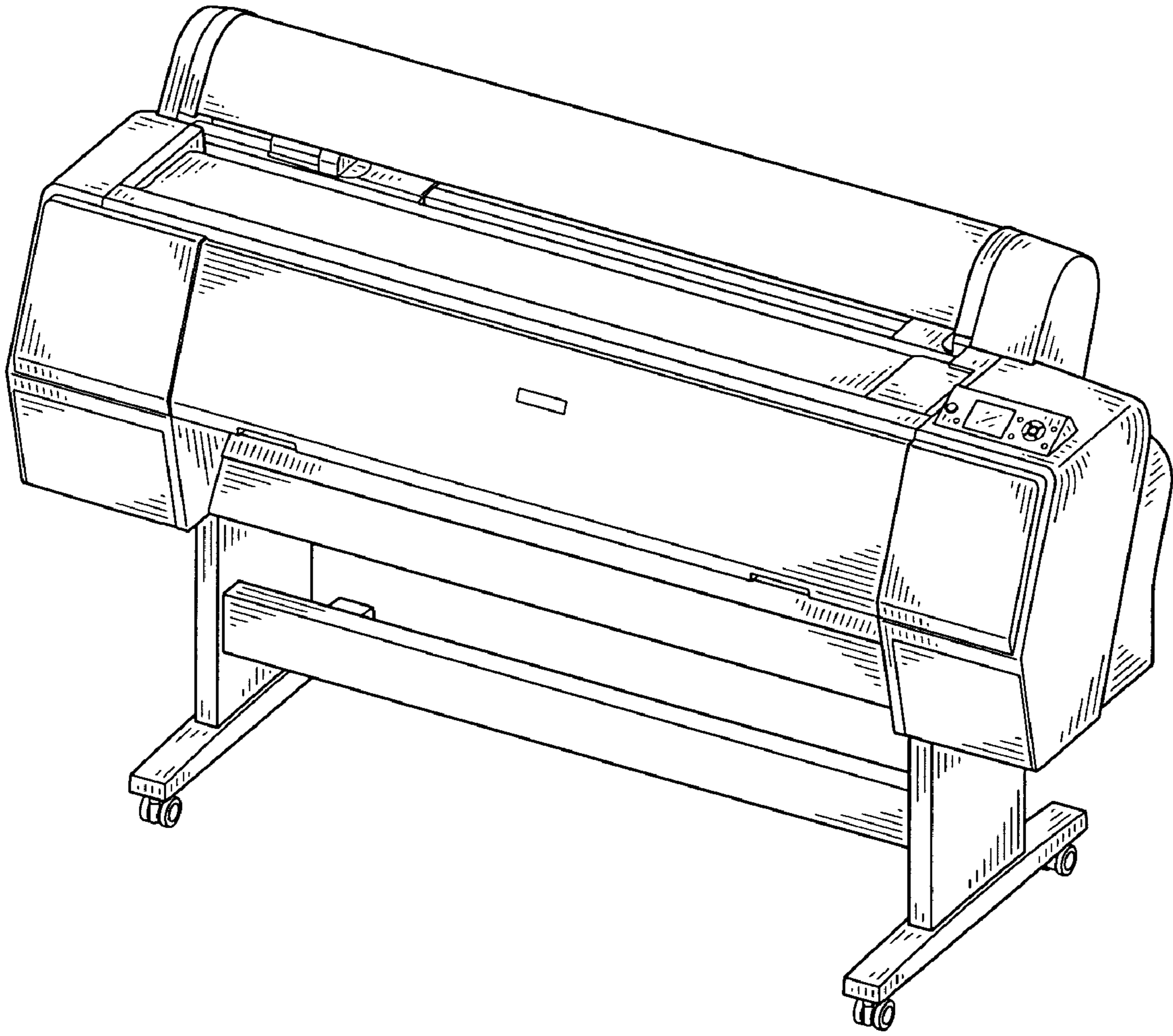


FIG. 1

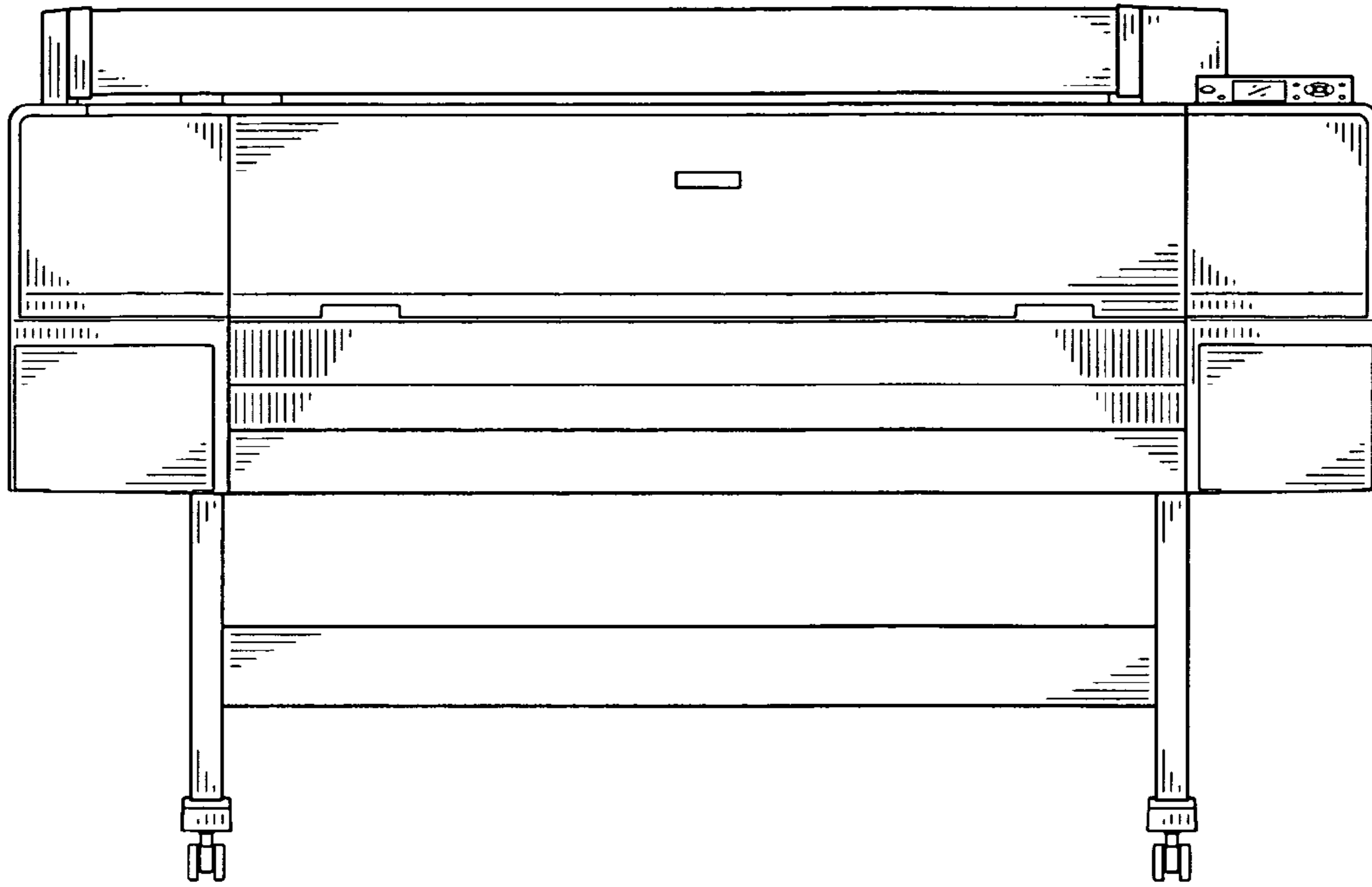


FIG. 2

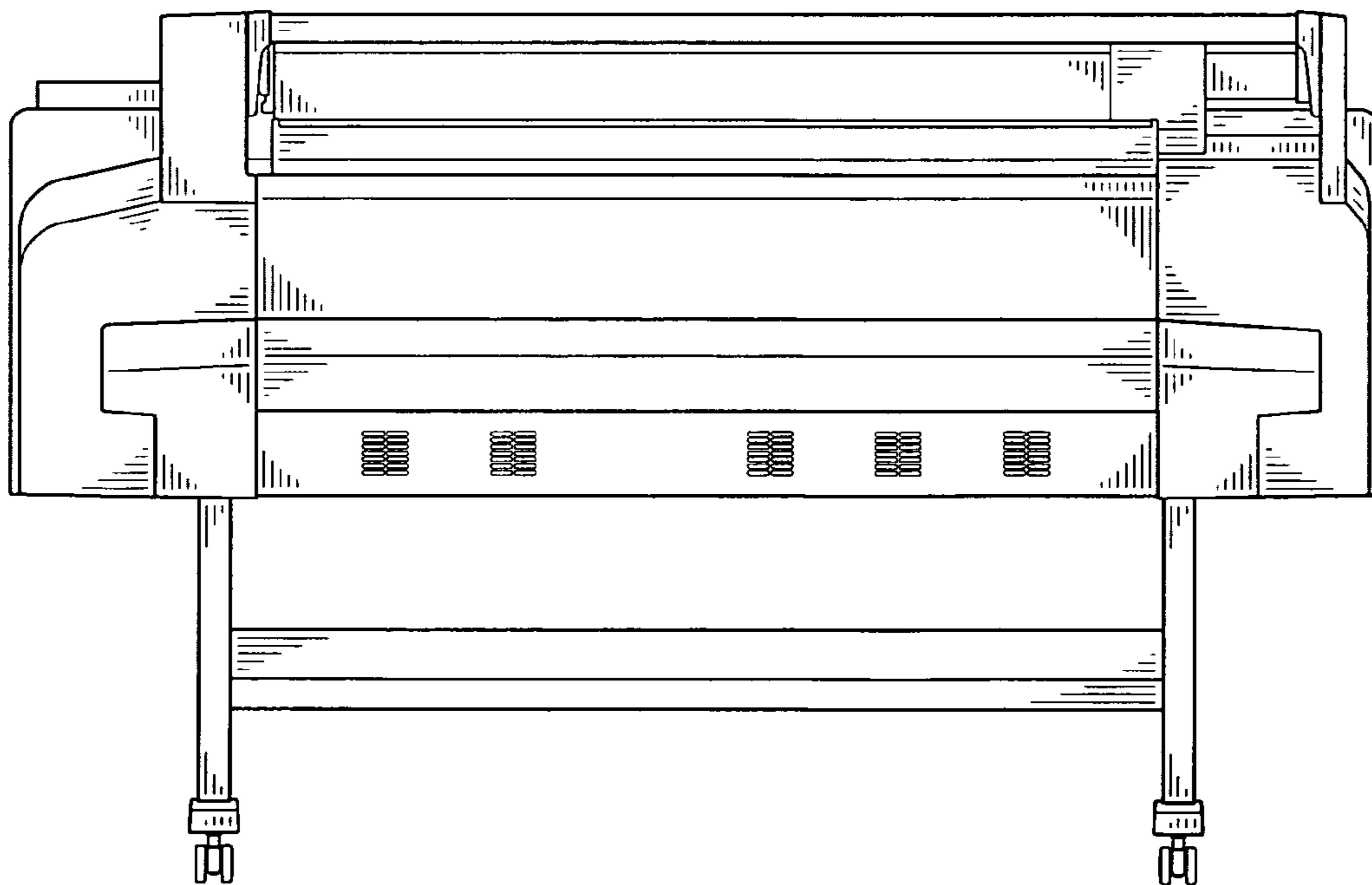


FIG. 3

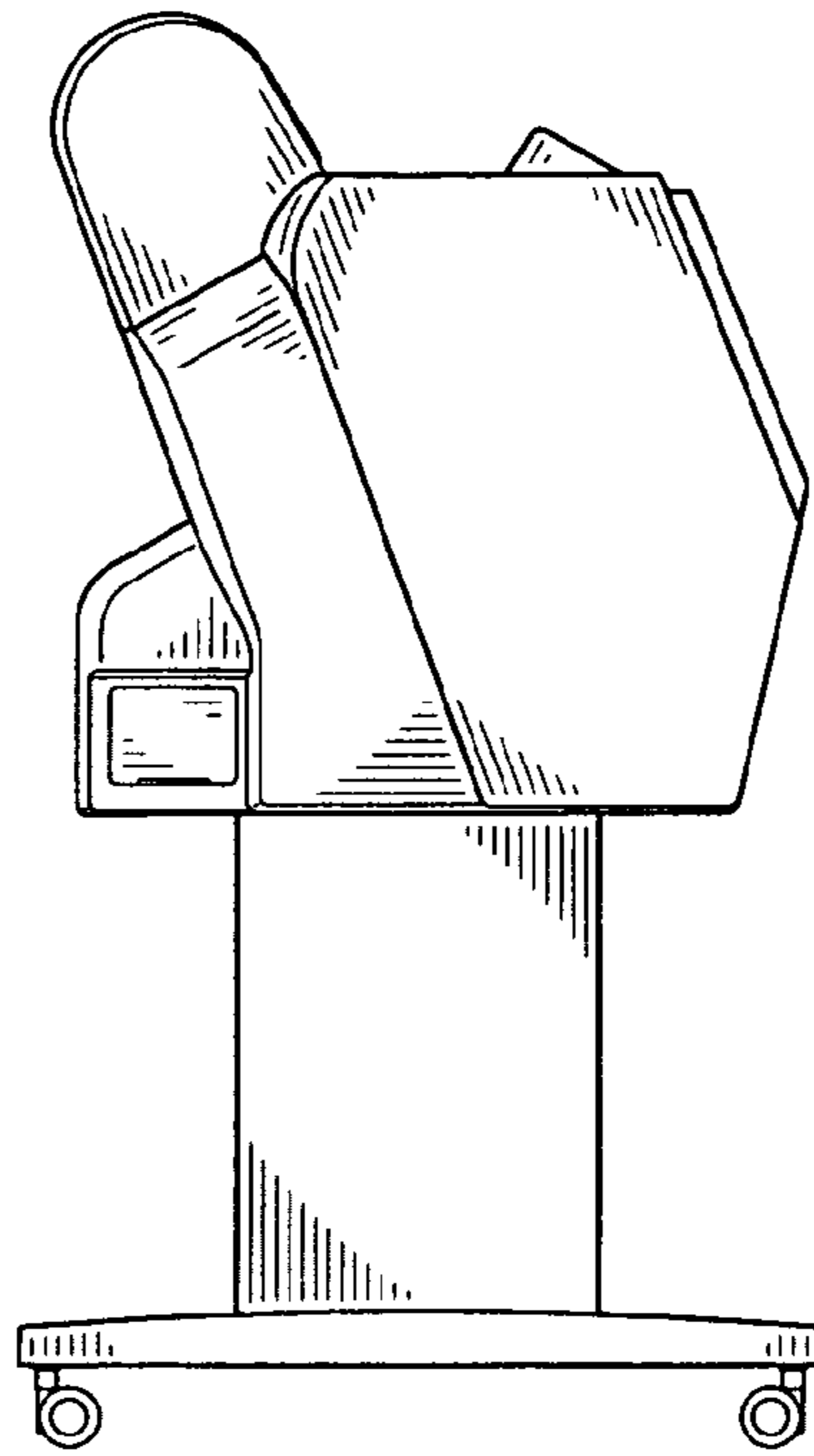


FIG. 4

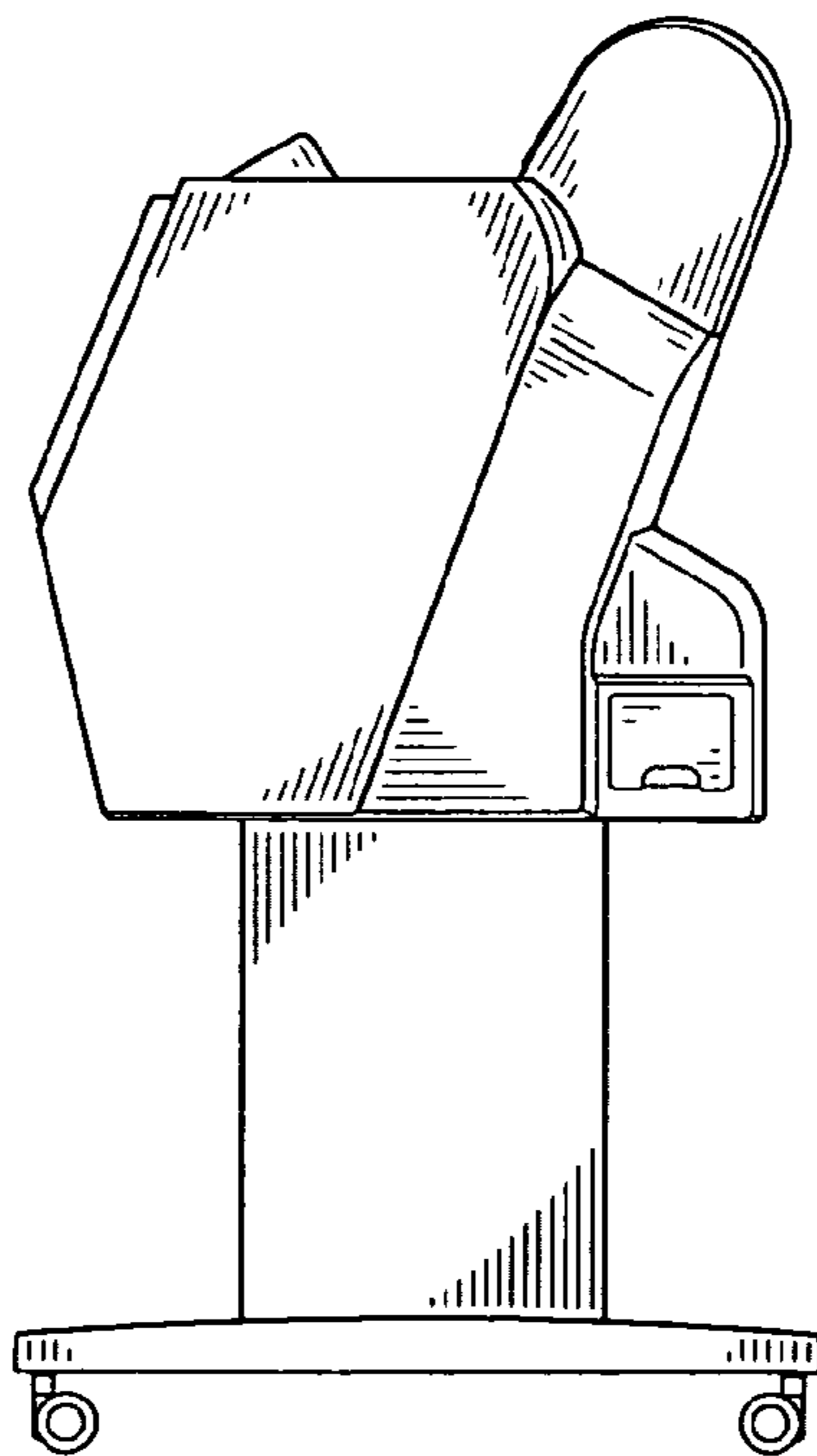


FIG. 5

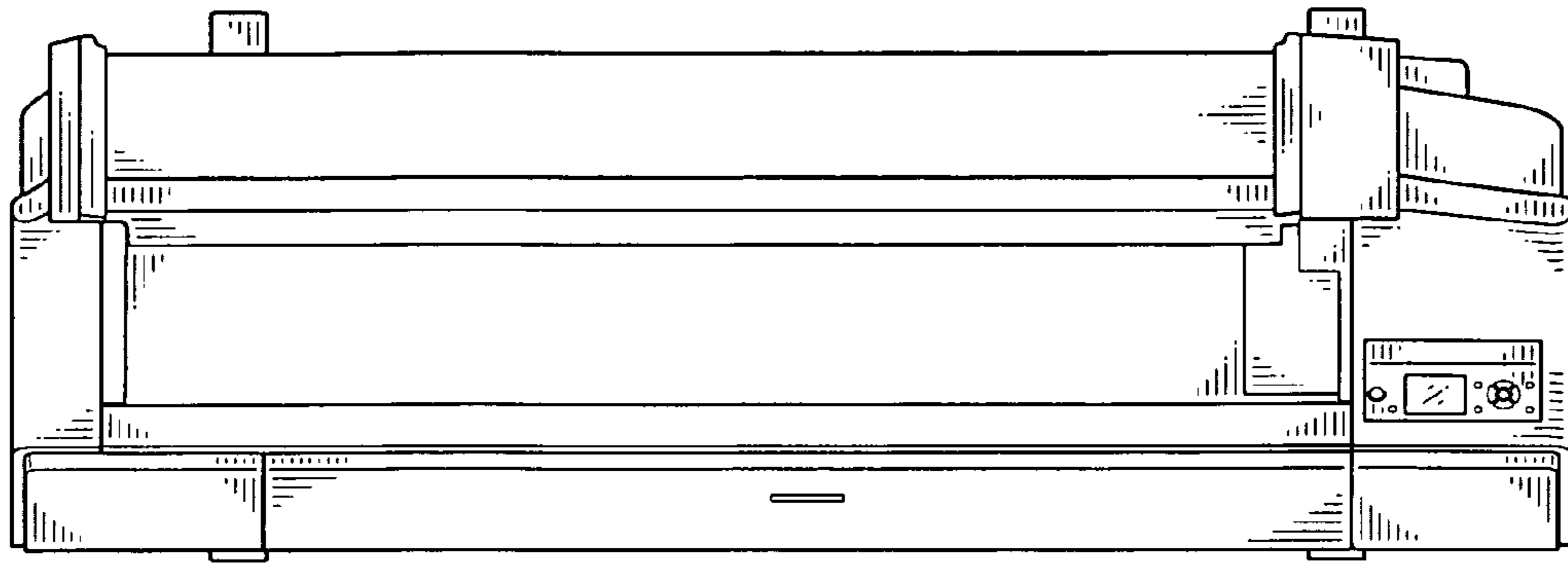


FIG. 6

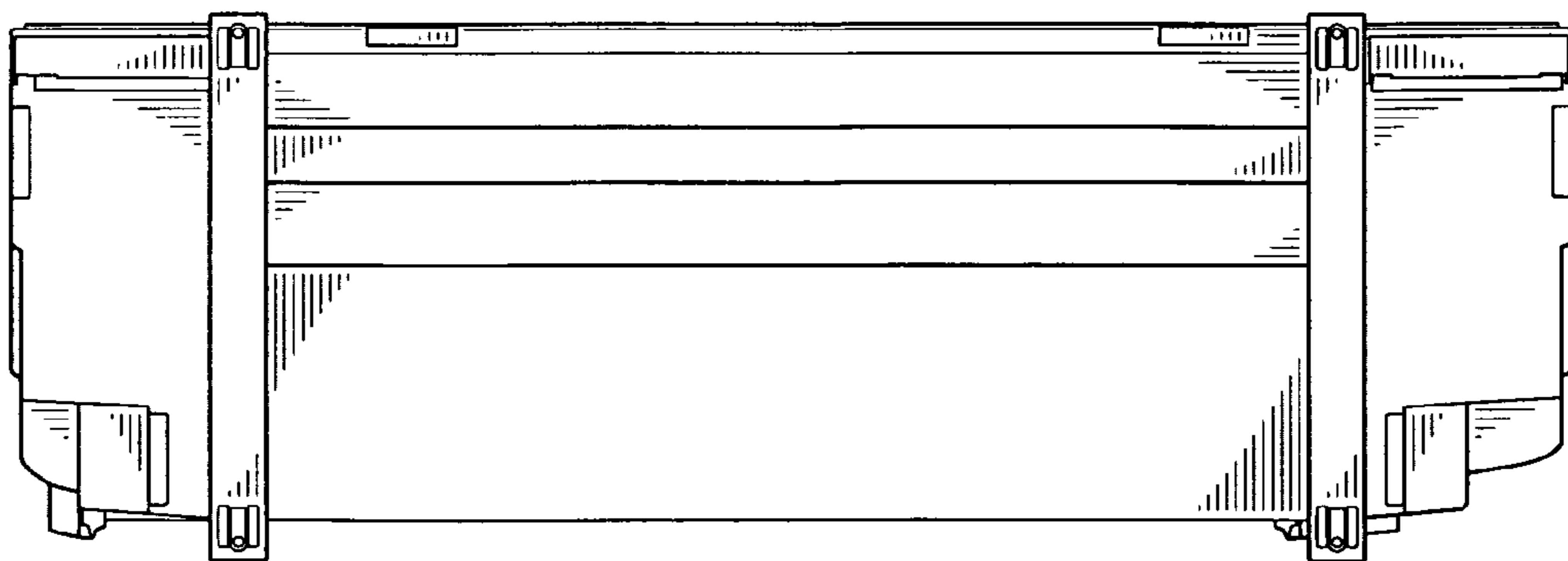


FIG. 7