



US00D595342S

(12) **United States Design Patent**  
**Nakamura et al.**

(10) **Patent No.:** **US D595,342 S**  
(45) **Date of Patent:** **\*\* Jun. 30, 2009**

(54) **PRINTER UNIT FOR DUPLEX PRINTING**

(75) Inventors: **Kazuhisa Nakamura**, Matsumoto (JP);  
**Hideki Kato**, Matsumoto (JP)

(73) Assignee: **Seiko Epson Corporation** (JP)

(\*\*) Term: **14 Years**

(21) Appl. No.: **29/310,084**

(22) Filed: **Jul. 24, 2008**

**Related U.S. Application Data**

(62) Division of application No. 29/272,125, filed on Feb. 1, 2007, now Pat. No. Des. 588,631.

**Foreign Application Priority Data**

Sep. 25, 2006 (JP) ..... 2006-025561  
Sep. 25, 2006 (JP) ..... 2006-025562

(51) **LOC (9) Cl.** ..... **16-03**

(52) **U.S. Cl.** ..... **D18/40**

(58) **Field of Classification Search** ..... D14/471;  
D18/12, 36-40, 43-49, 56; 222/DIG. 1;  
347/197, 222; 399/24-28, 107-112, 119,  
399/121, 122, 222-224

See application file for complete search history.

(56) **References Cited**

**U.S. PATENT DOCUMENTS**

D272,156 S \* 1/1984 Meister, Jr. .... D18/49  
D303,543 S \* 9/1989 Seki ..... D18/36  
D312,268 S \* 11/1990 Helmetsie ..... D18/36  
D312,652 S \* 12/1990 Fukuda et al. .... D18/36  
D313,615 S 1/1991 Tokuda ..... D18/36

D313,616 S 1/1991 Tokuda ..... D18/36  
D313,813 S 1/1991 Tokuda ..... D18/36  
D321,712 S 11/1991 Tsutsui ..... D18/49  
D352,055 S \* 11/1994 Girard ..... D18/49  
5,423,529 A \* 6/1995 Saito et al. .... 271/127  
5,729,795 A \* 3/1998 Kavolius et al. .... 399/109  
D518,851 S 4/2006 Awano et al. .... D18/40  
D520,051 S 5/2006 Harumoto ..... D18/40  
D539,336 S 3/2007 Goh et al. .... D18/46  
D549,276 S \* 8/2007 Clark, III ..... D18/46  
2001/0008588 A1 7/2001 Numazu et al. .... 399/107

\* cited by examiner

*Primary Examiner*—Caron Veynar

*Assistant Examiner*—Garth Rademaker

(74) *Attorney, Agent, or Firm*—Harness, Dickey & Pierce, P.L.C.

(57) **CLAIM**

The ornamental design for a printer unit for duplex printing, as shown and described.

**DESCRIPTION**

FIG. 1 is a rear view of a printer unit for duplex printing showing our new design;

FIG. 2 is a front view thereof;

FIG. 3 is a right side view thereof;

FIG. 4 is a left side view thereof;

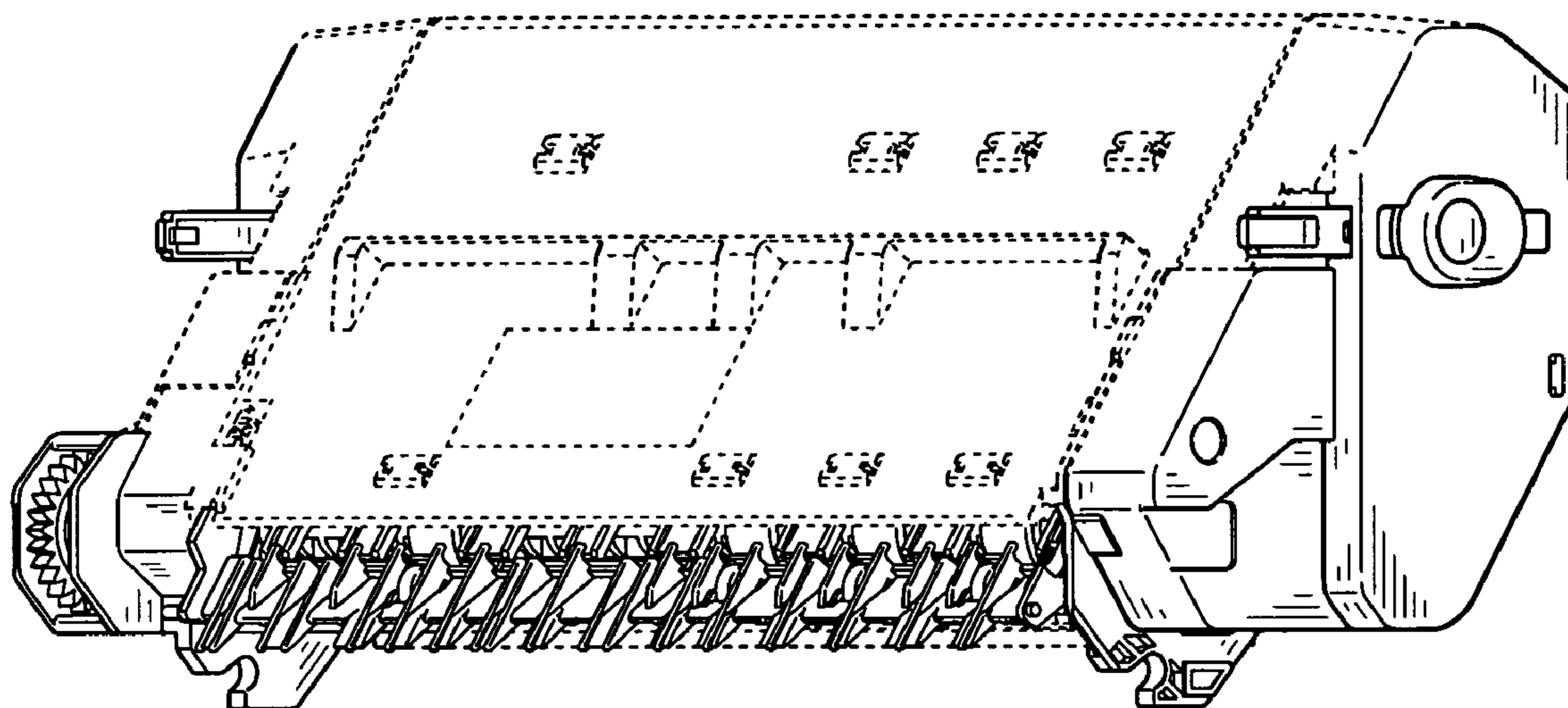
FIG. 5 is a top view thereof;

FIG. 6 is a bottom view thereof; and,

FIG. 7 is a rear perspective view thereof.

The broken lines depict environmental subject matter only and form no part of the claimed design.

**1 Claim, 4 Drawing Sheets**



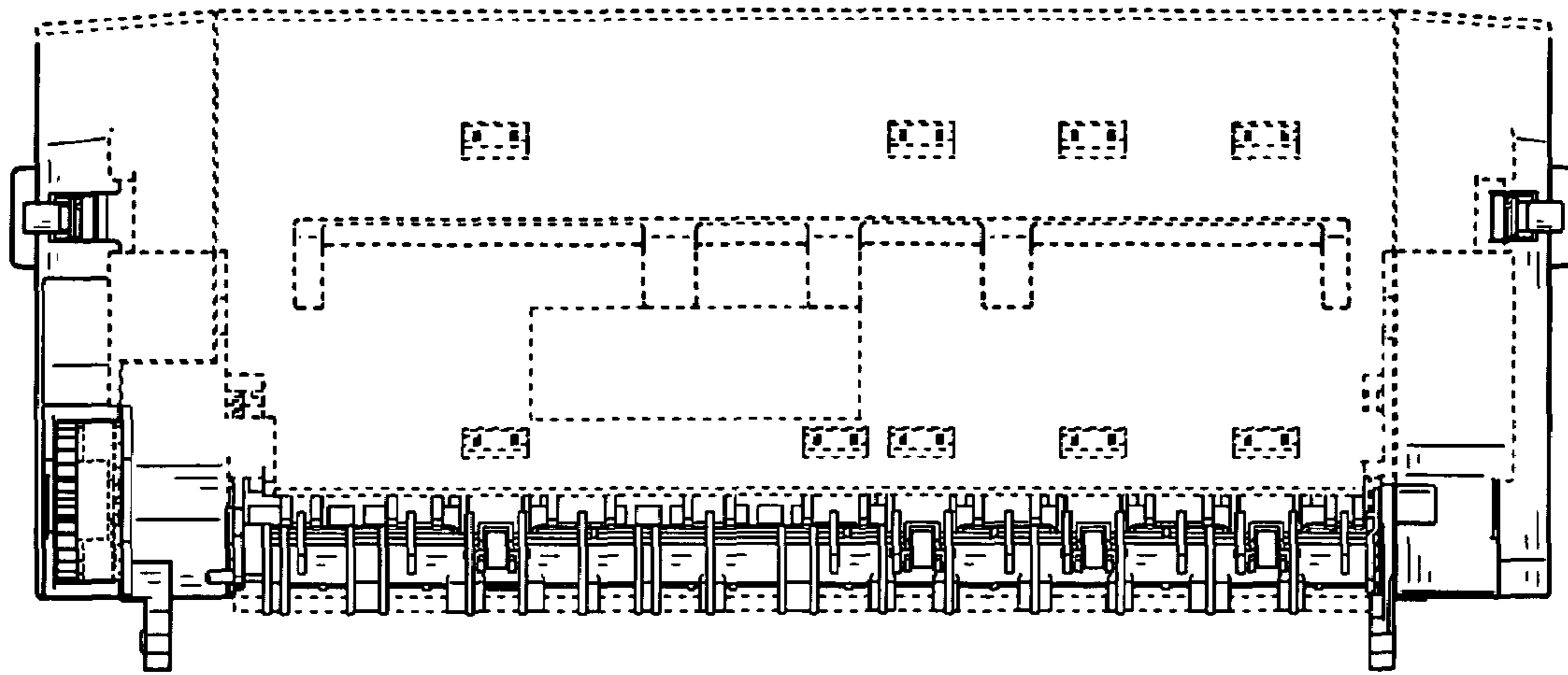


FIG. 1

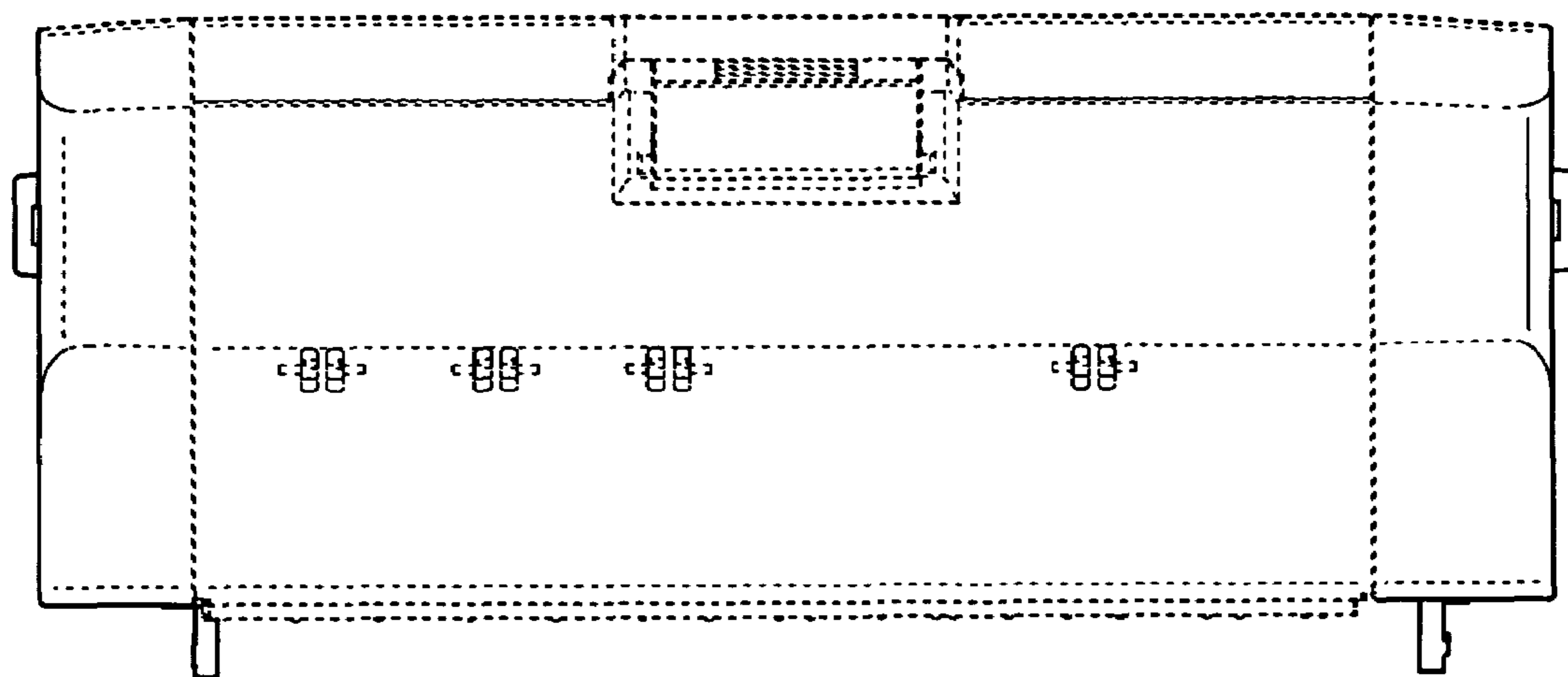


FIG. 2

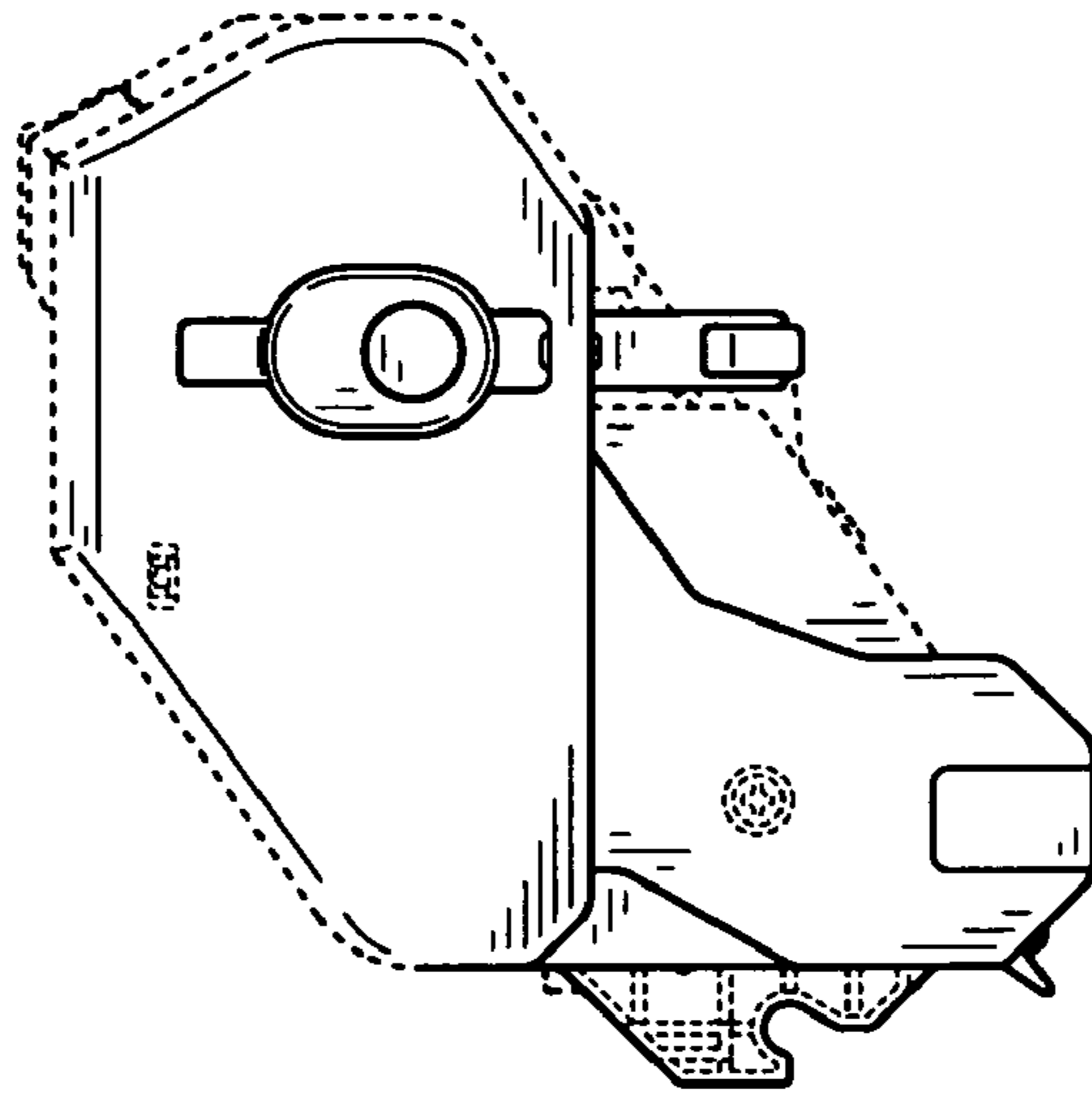


FIG. 3

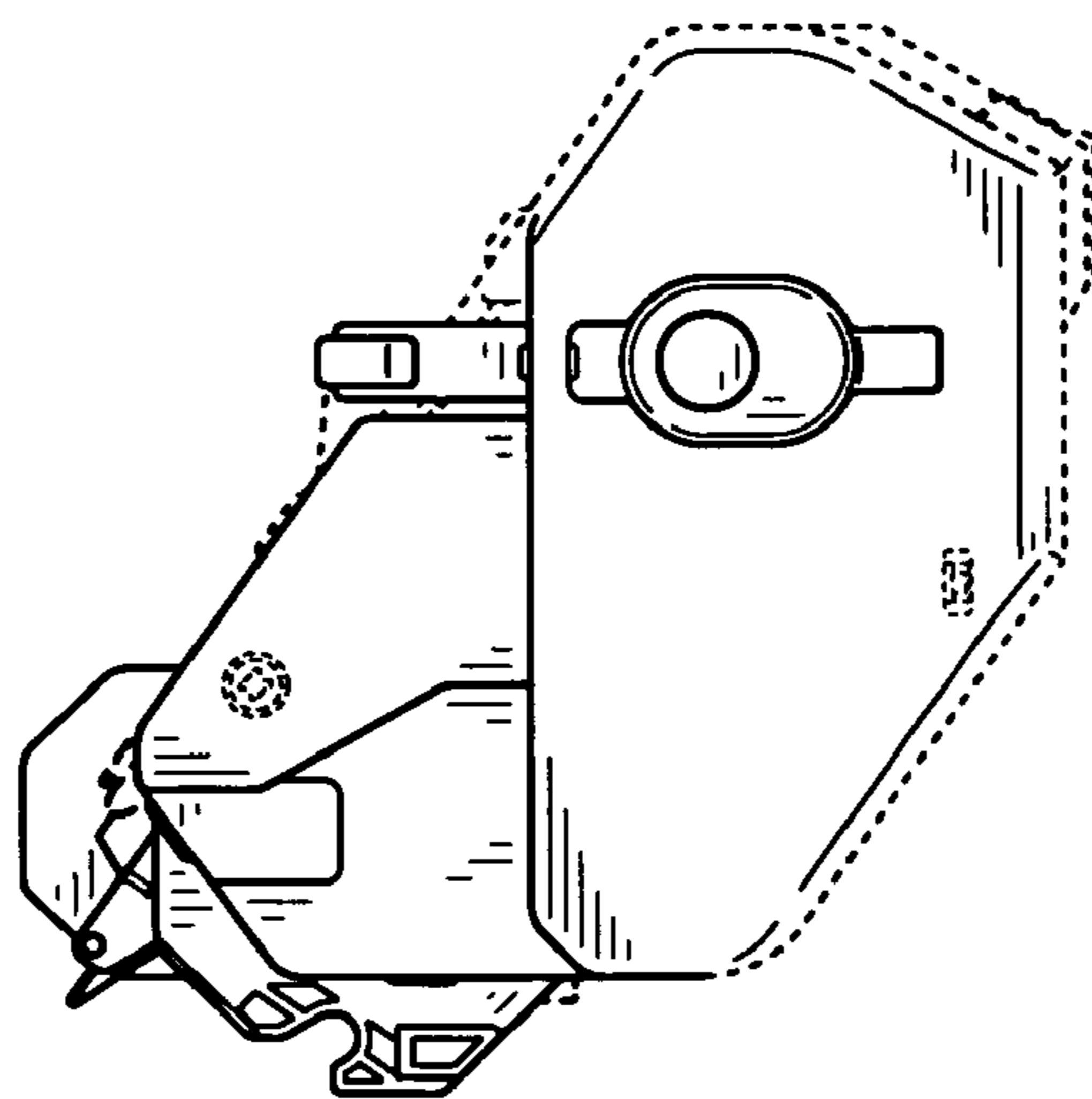


FIG. 4

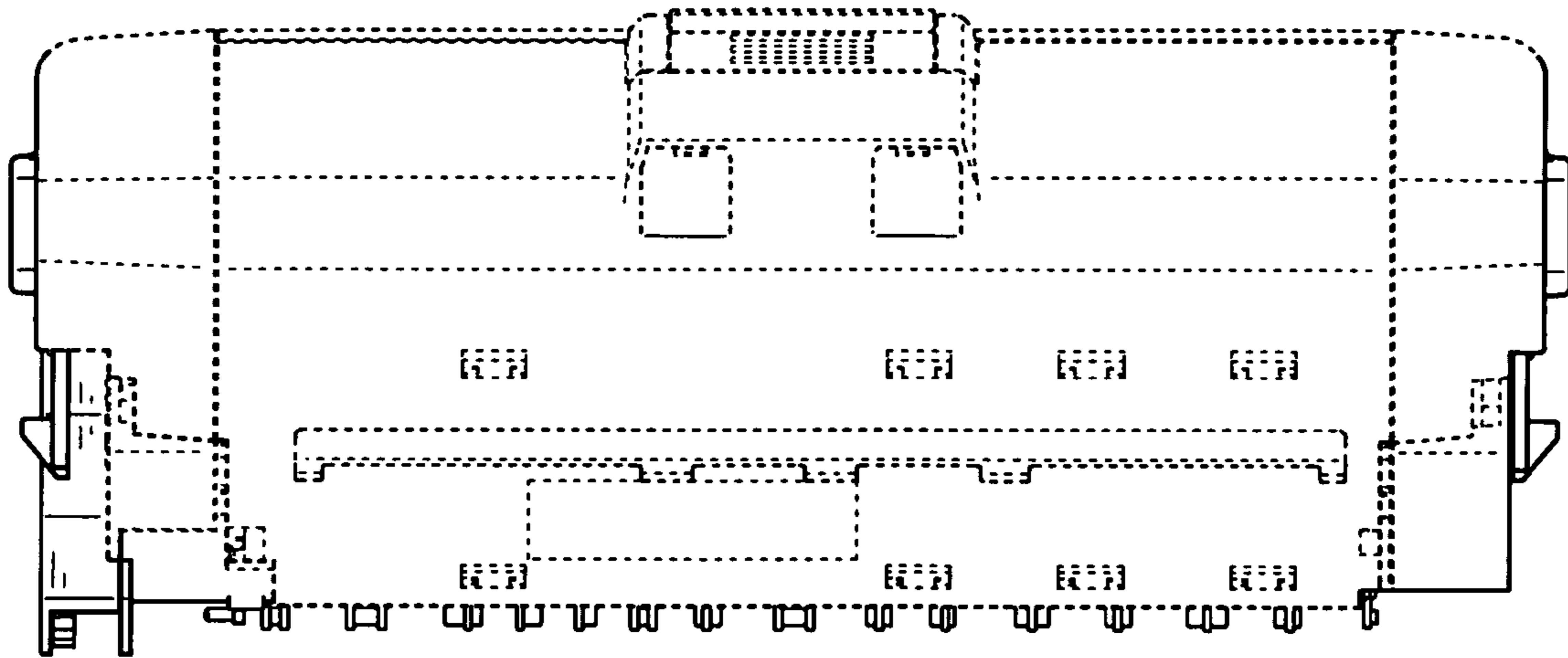


FIG. 5

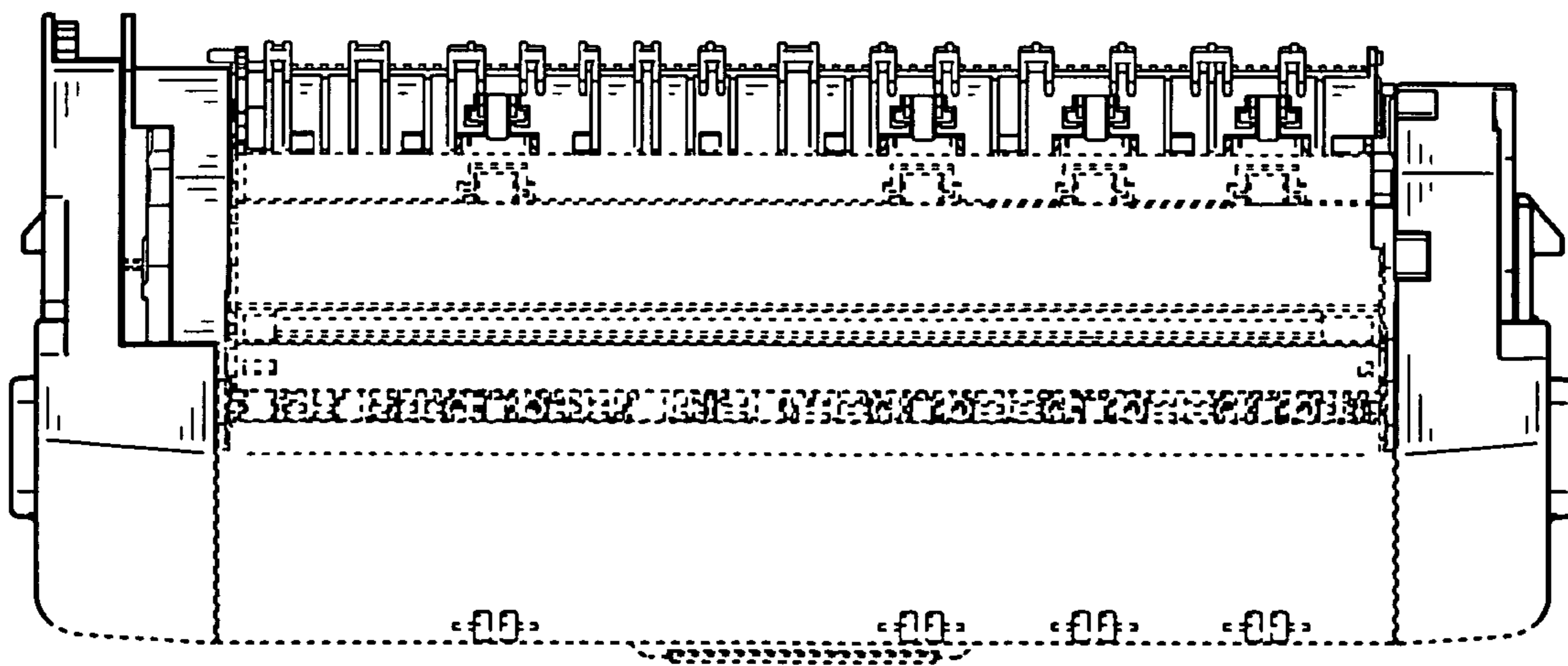


FIG. 6

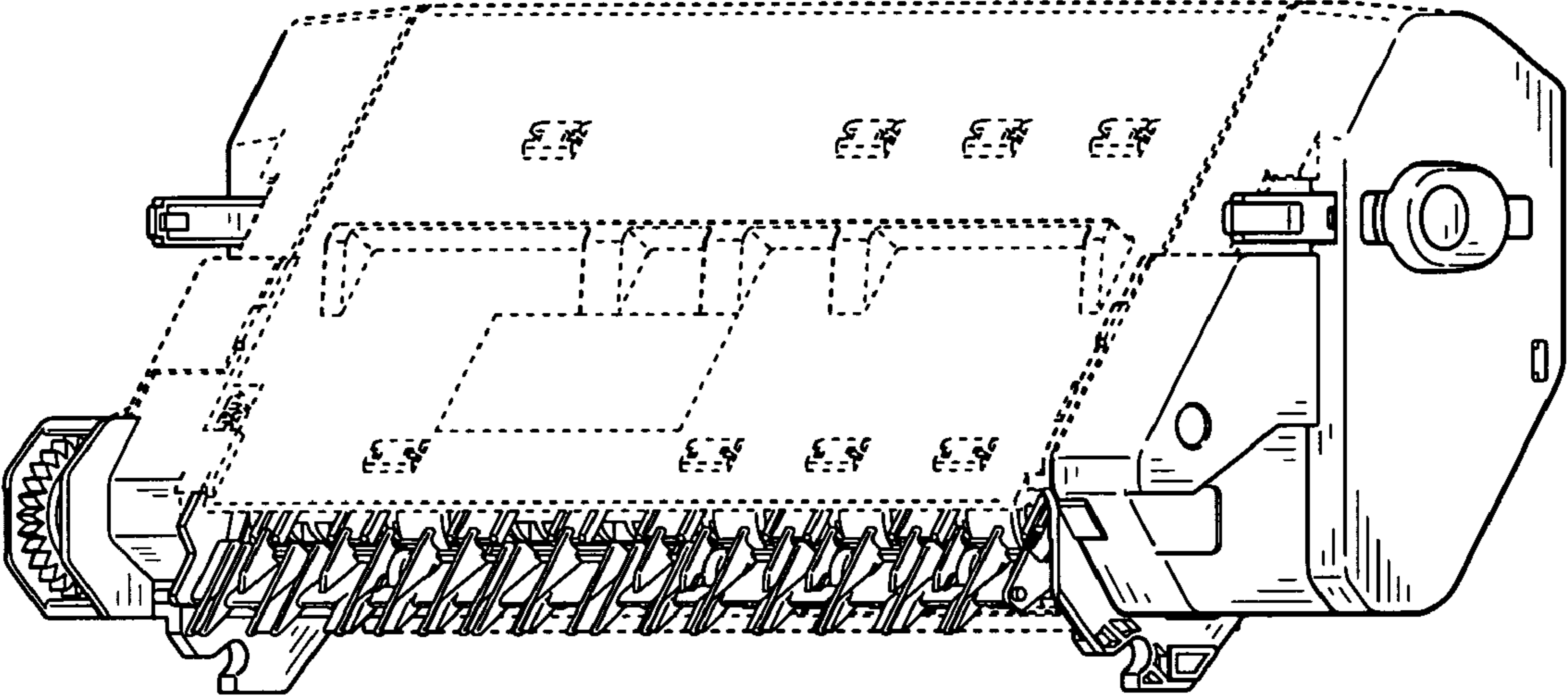


FIG. 7