



US00D595339S

(12) **United States Design Patent**
Oas

(10) **Patent No.:** **US D595,339 S**
(45) **Date of Patent:** **** Jun. 30, 2009**

(54) **CALCULATOR**

D576,996 S * 9/2008 Choe et al. D14/138 AD
D583,855 S * 12/2008 Oas D18/7

(76) Inventor: **Daniel Oas**, 6250 N. Irwindale Ave.,
Irwindale, CA (US) 91702

* cited by examiner

(**) Term: **14 Years**

Primary Examiner—Caron Veynar
Assistant Examiner—Garth Rademaker
(74) *Attorney, Agent, or Firm*—Kenneth L. Green; Edgar W. Averill, Jr.

(21) Appl. No.: **29/308,197**

(22) Filed: **Jun. 2, 2008**

(57) **CLAIM**

(51) **LOC (9) Cl.** **18-01**

(52) **U.S. Cl.** **D18/7**

(58) **Field of Classification Search** D14/138 AD,
D14/191, 203.7, 218, 341–347, 383, 387,
D14/388, 496; D18/1, 2, 4.4, 4.5, 6–12,
D18/12.1–12.3; D21/512; 235/58 R, 59 A,
235/59 BC, 59 BD, 59 BE, 59 BF, 59 BG,
235/59 BH, 59 CP, 59 T, 59 TP, 61 R; 708/100,
708/105, 130

The ornamental design for a calculator, as shown and described.

See application file for complete search history.

DESCRIPTION

(56) **References Cited**

U.S. PATENT DOCUMENTS

- D424,604 S * 5/2000 Leung D18/7
- D426,849 S * 6/2000 Lee D18/7
- D506,476 S * 6/2005 Andre et al. D14/203.7
- D514,097 S * 1/2006 De Leon D14/191
- D516,576 S * 3/2006 Ive et al. D14/203.7
- D544,522 S * 6/2007 Chow D18/7
- D546,313 S * 7/2007 Lheem D14/138 AD
- D562,848 S * 2/2008 Andre et al. D14/496
- D564,017 S * 3/2008 Wang D18/7
- D569,389 S * 5/2008 Andre et al. D14/496
- D570,875 S * 6/2008 Sheba et al. D14/496

FIG. 1 is a perspective view showing the front, bottom and right side of the calculator showing my new design.

FIG. 2 is a front view thereof.

FIG. 3 is a right side view thereof.

FIG. 4 is a top view thereof.

FIG. 5 is a back view thereof.

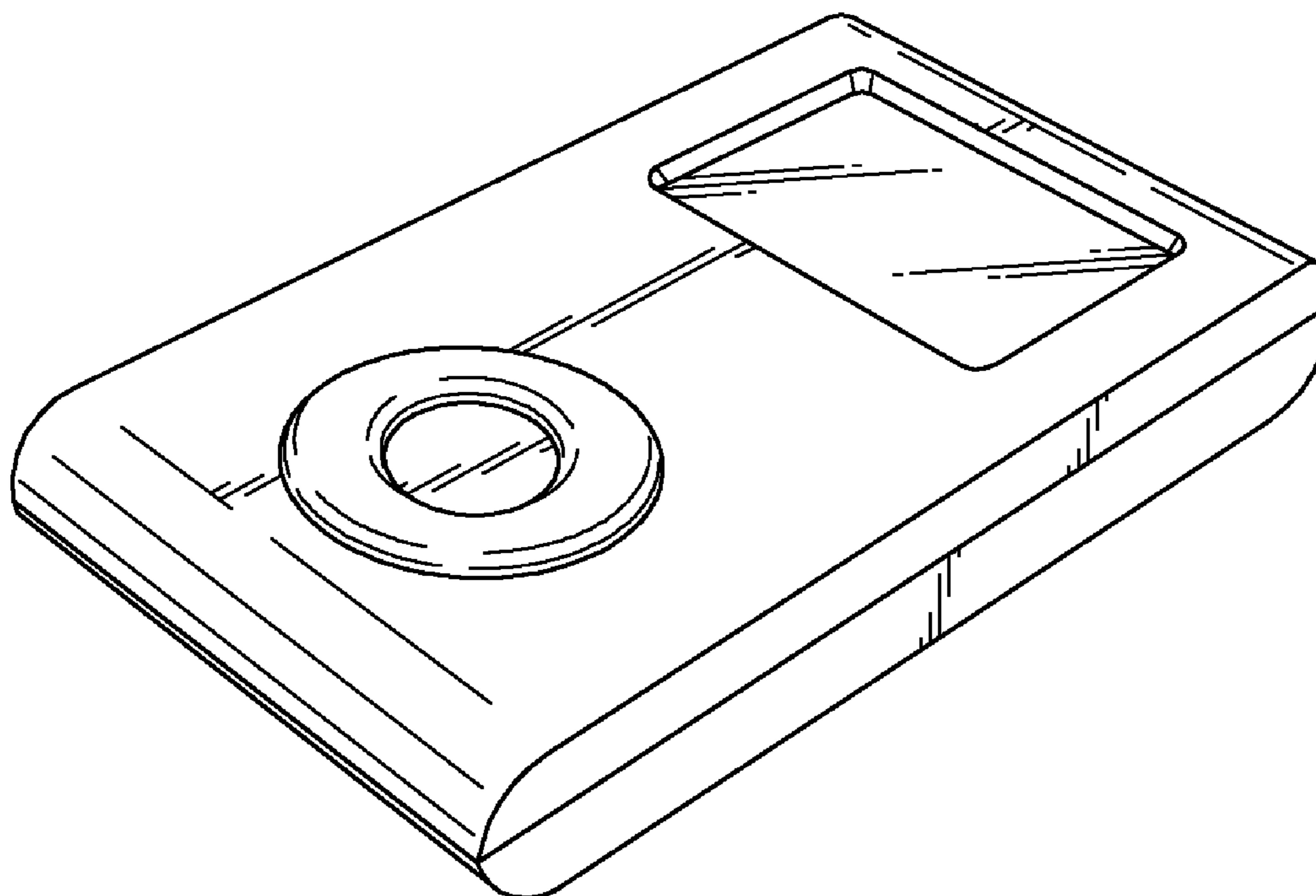
FIG. 6 is a bottom view thereof.

FIG. 7 is a perspective view thereof showing the front, right side and bottom of the calculator of FIG. 1 with the keyboard extended; and,

FIG. 8 is a perspective view thereof showing the back, bottom and left side with the keyboard extended.

The broken lines depict environmental subject matter only and form no part of the claimed design.

1 Claim, 3 Drawing Sheets



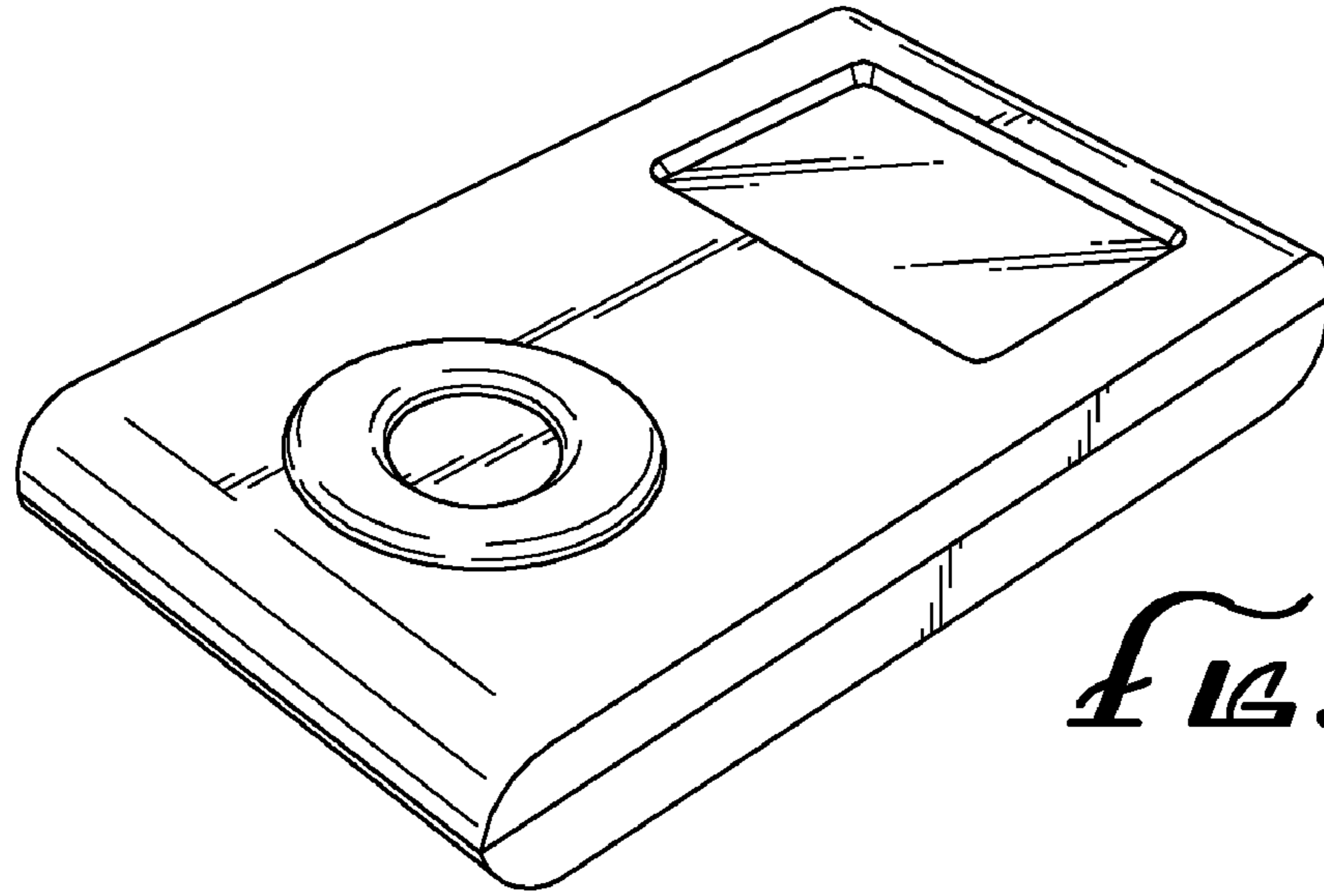


FIG. 1

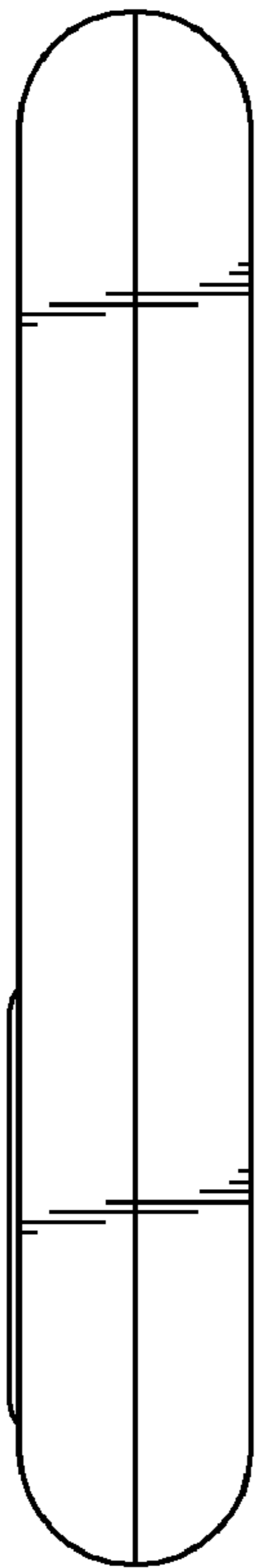


FIG. 3

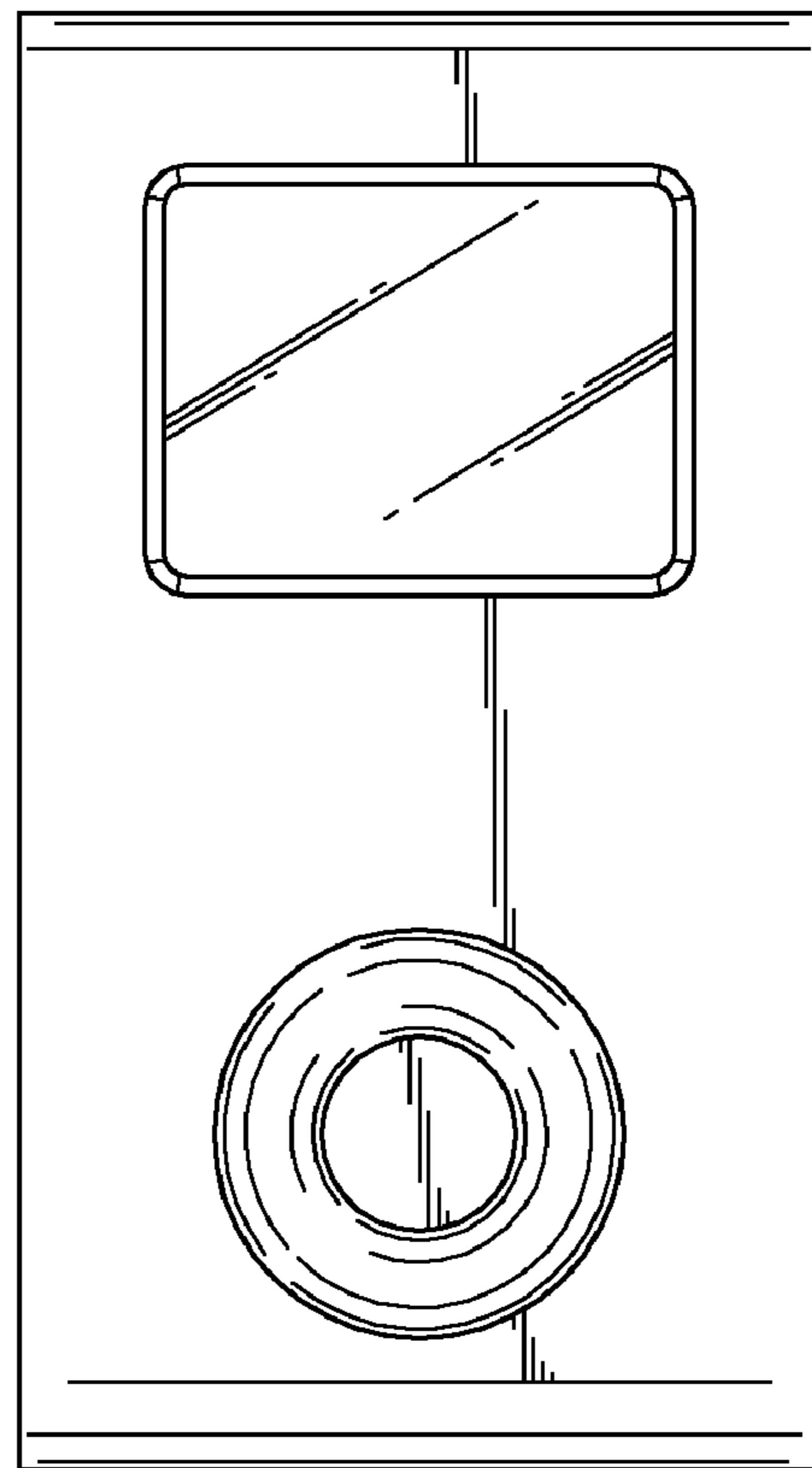


FIG. 2

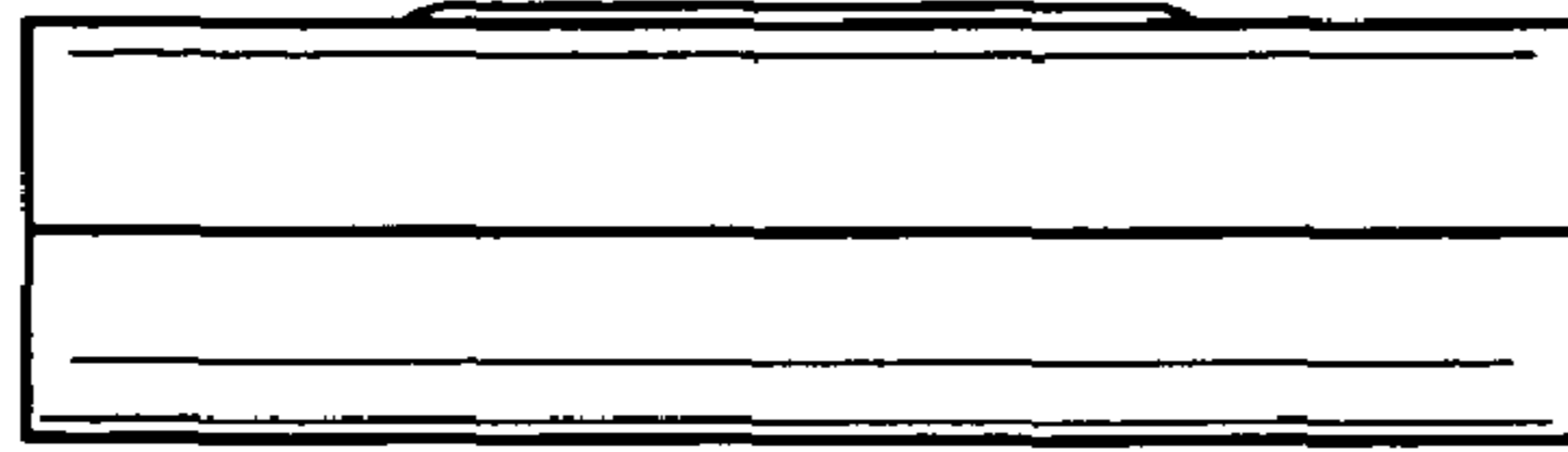


FIG. 4

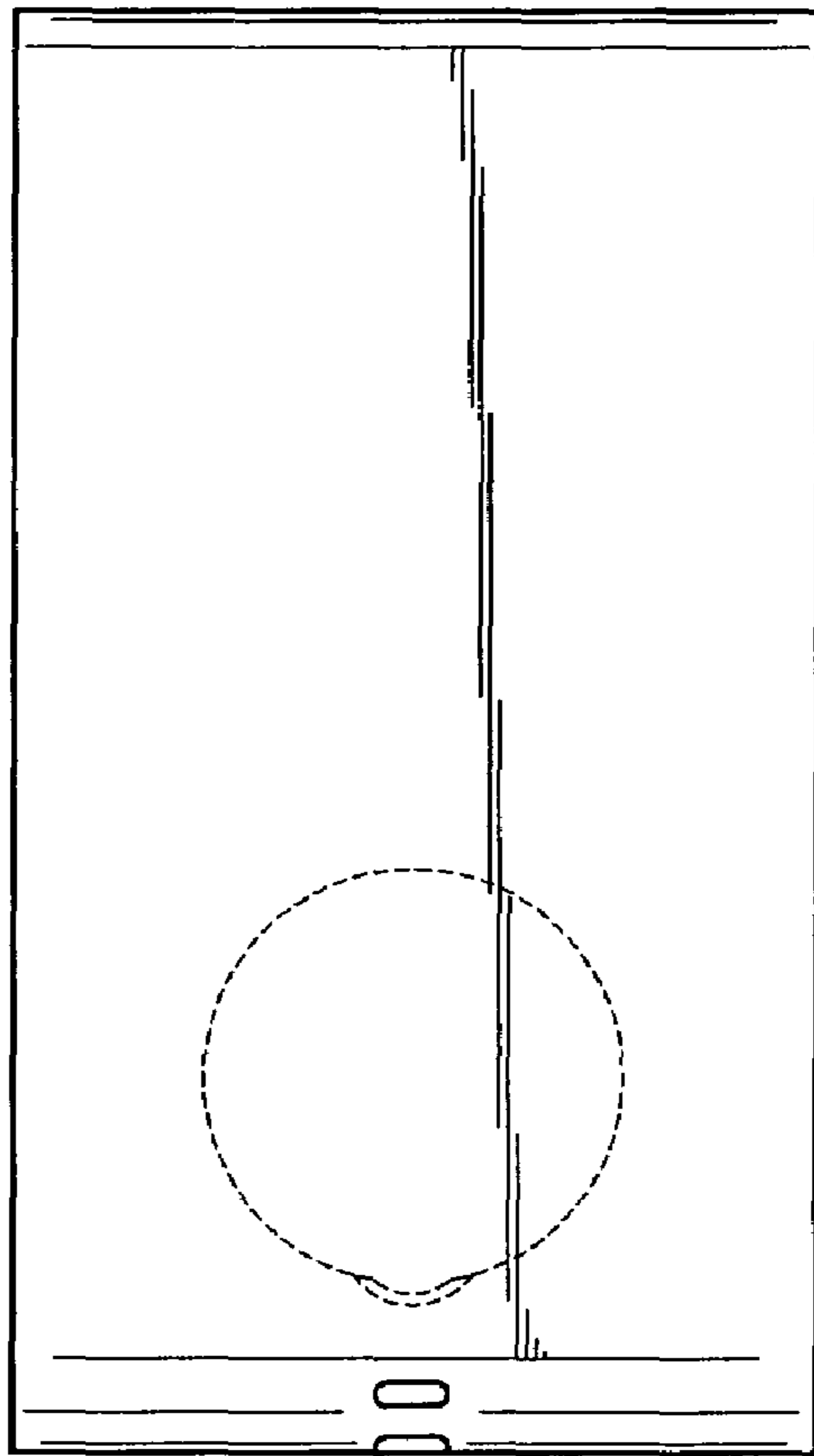


FIG. 5

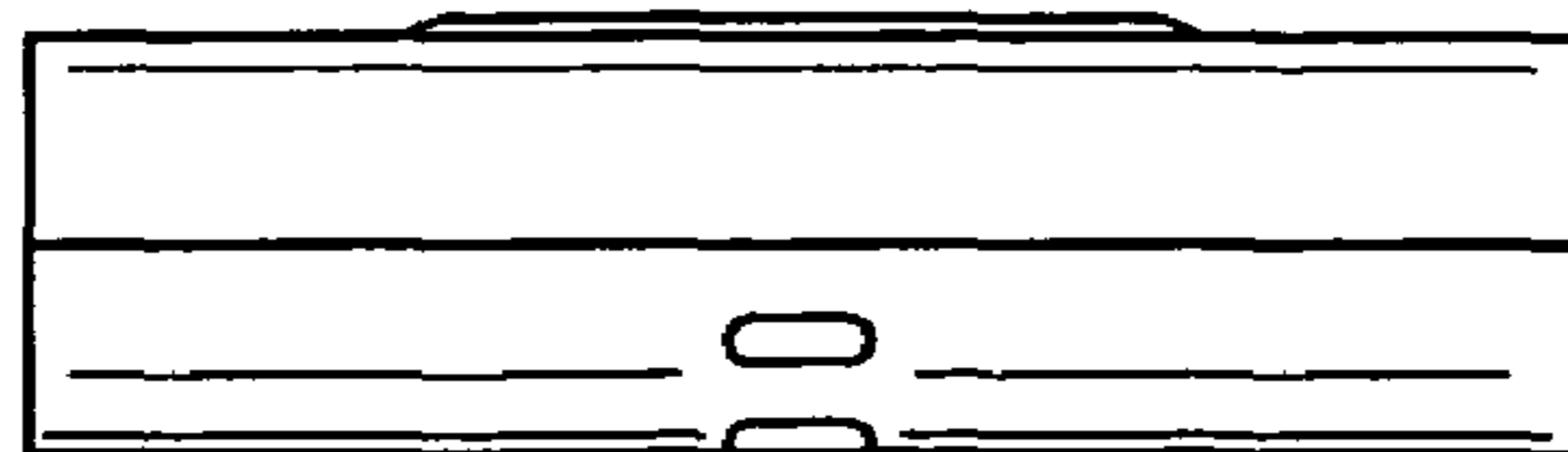


FIG. 6

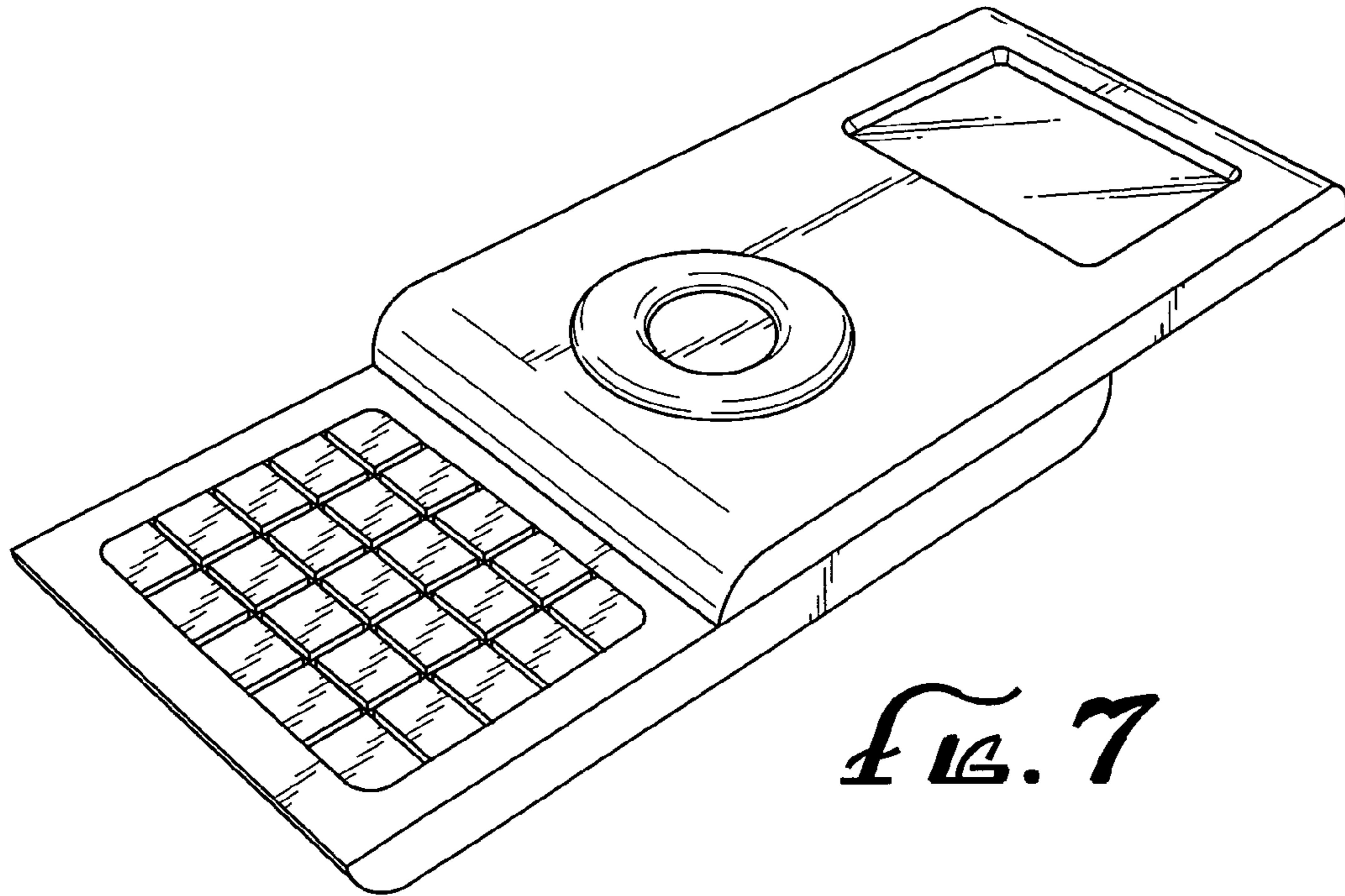


FIG. 7

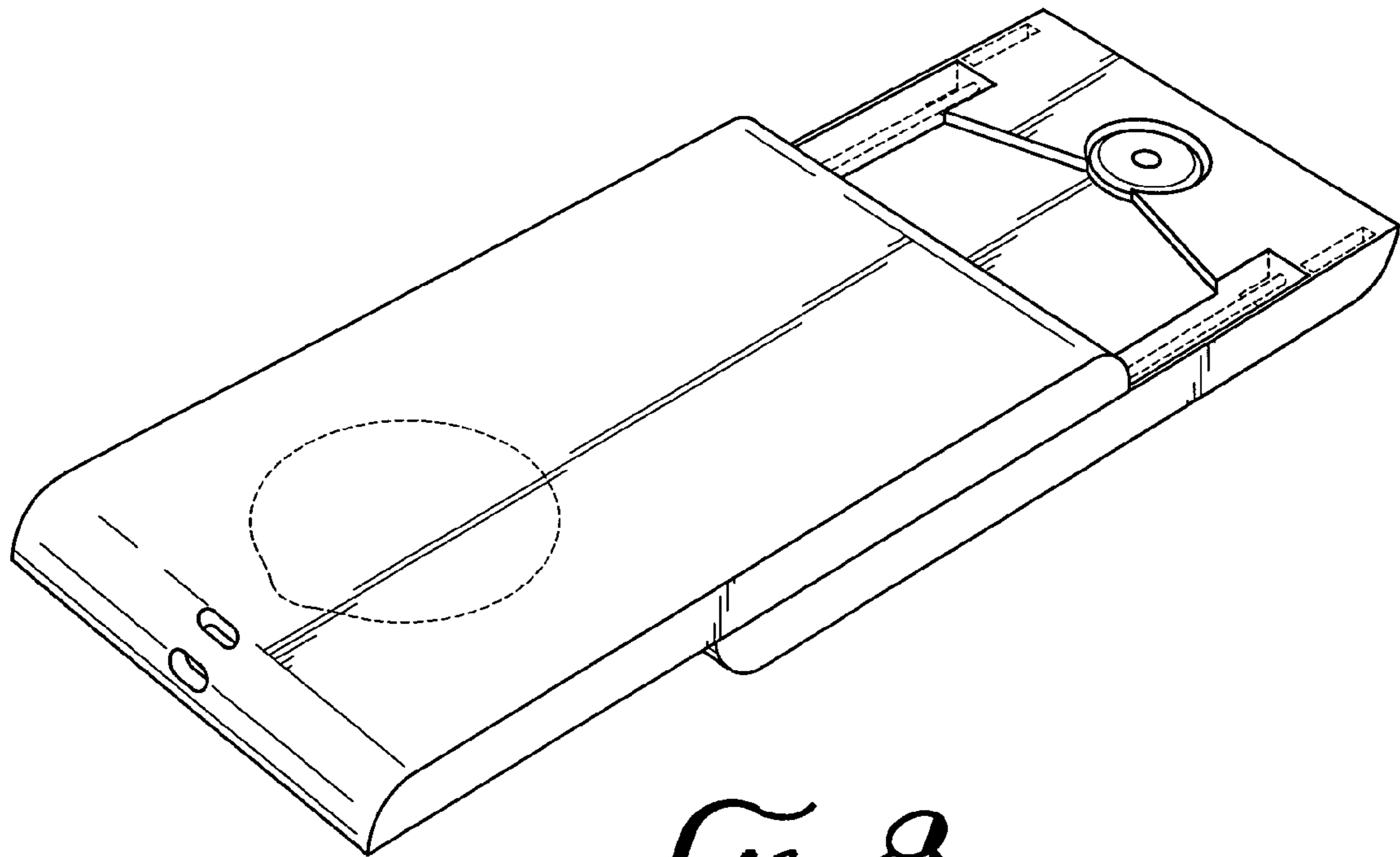


FIG. 8