



US00D595336S

(12) **United States Design Patent**
Hecht

(10) **Patent No.:** **US D595,336 S**
(45) **Date of Patent:** **** Jun. 30, 2009**

(54) **ELECTRONIC PIANO**

(75) Inventor: **Sam Hecht**, London (GB)

(73) Assignee: **Yamaha Corporation**, Hamamatsu-shi (JP)

(**) Term: **14 Years**

(21) Appl. No.: **29/325,922**

(22) Filed: **Oct. 8, 2008**

(30) **Foreign Application Priority Data**

Apr. 10, 2008 (JP) 2008-009204

(51) **LOC (9) Cl.** **17-01**

(52) **U.S. Cl.** **D17/1**

(58) **Field of Classification Search** D17/1,
D17/2, 7, 8; 84/13, 172, 174, 239, 240, 243,
84/423 R, 743, 744; D21/409

See application file for complete search history.

(56) **References Cited**

U.S. PATENT DOCUMENTS

1,853,728 A * 4/1932 Granstrom 84/404
D146,345 S * 2/1947 Brown D17/7
3,478,159 A * 11/1969 Olson 84/719
3,744,368 A * 7/1973 Lady 84/470 R
D260,098 S * 8/1981 Antonelli D17/7
D260,654 S * 9/1981 Antonelli D17/6

4,366,741 A * 1/1983 Titus 84/478
D499,754 S * 12/2004 Willis D17/1
D566,165 S * 4/2008 Ito D17/7

FOREIGN PATENT DOCUMENTS

JP 04234092 A * 8/1992

* cited by examiner

Primary Examiner—Ian Simmons

Assistant Examiner—R. Johnson

(74) *Attorney, Agent, or Firm*—Sughrue Mion, PLLC

(57) **CLAIM**

The ornamental design for a electronic piano, as shown and described.

DESCRIPTION

FIG. 1 is a front, top, left perspective view of an electronic piano showing my new design;

FIG. 2 is a top plan view thereof;

FIG. 3 is a front elevation view thereof;

FIG. 4 is a left side view thereof;

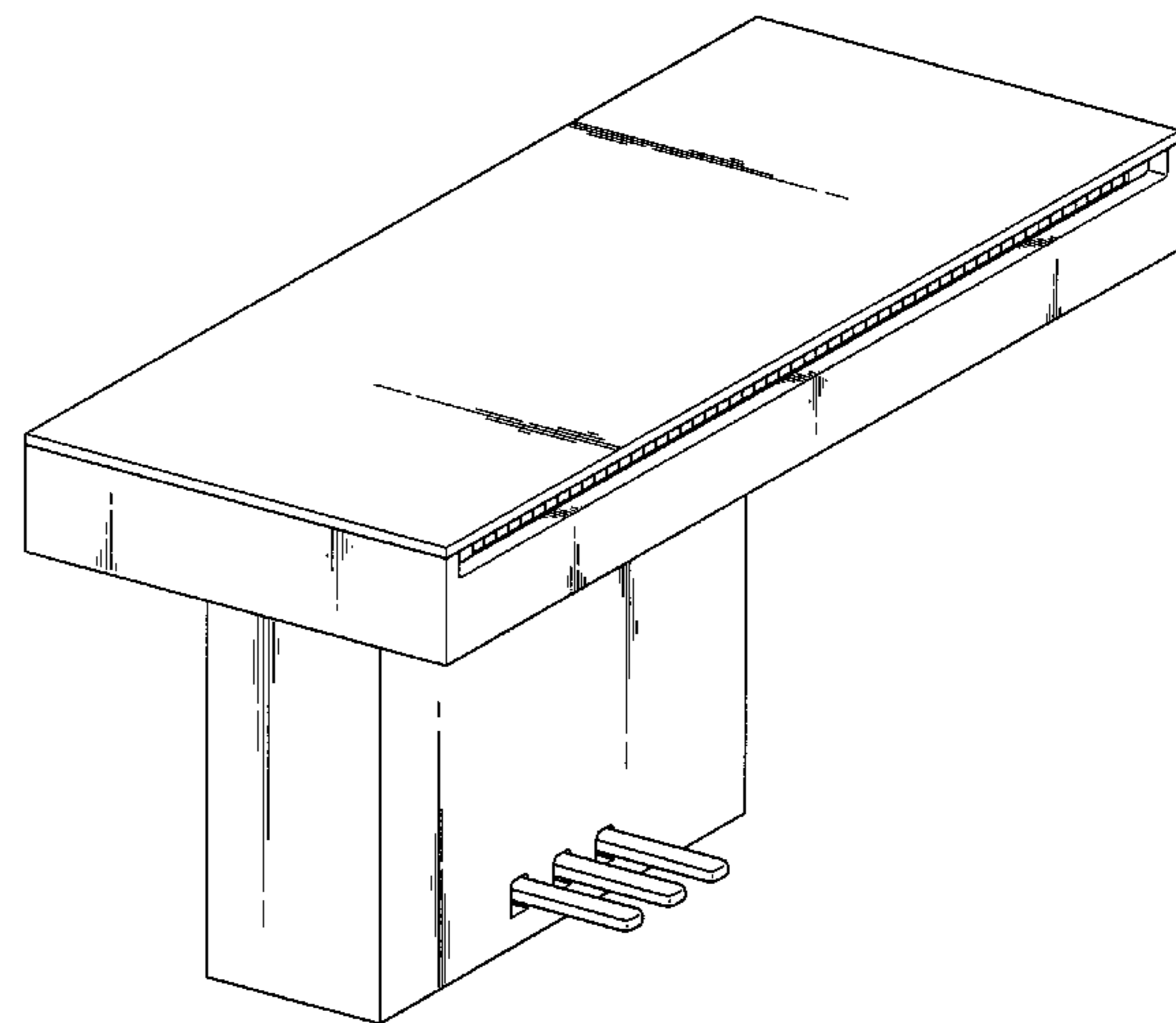
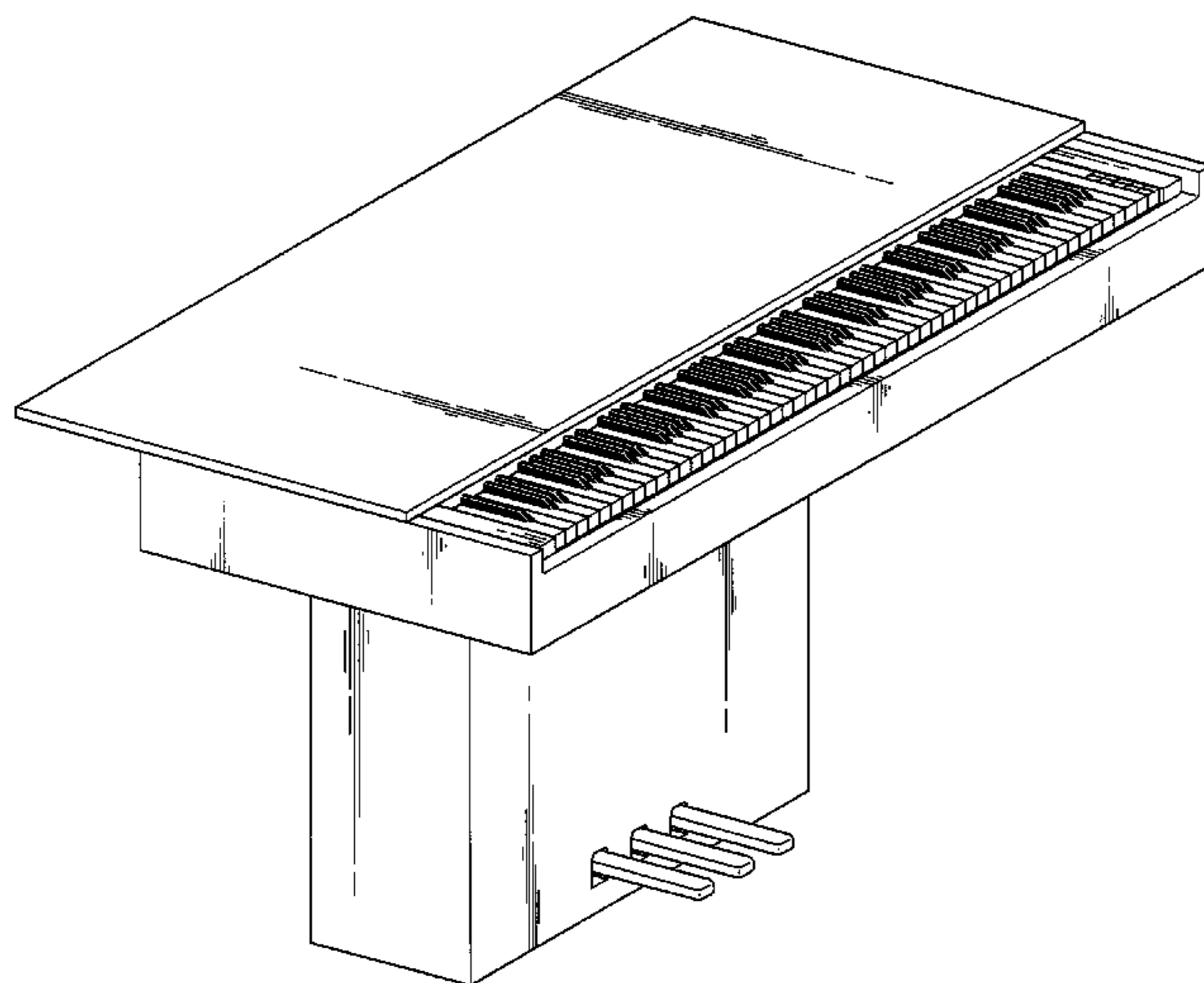
FIG. 5 is a right side view thereof;

FIG. 6 is a back elevation view thereof;

FIG. 7 is a bottom plan view thereof; and,

FIG. 8 is a front, top, left perspective view thereof with the keys covered by the top.

1 Claim, 7 Drawing Sheets



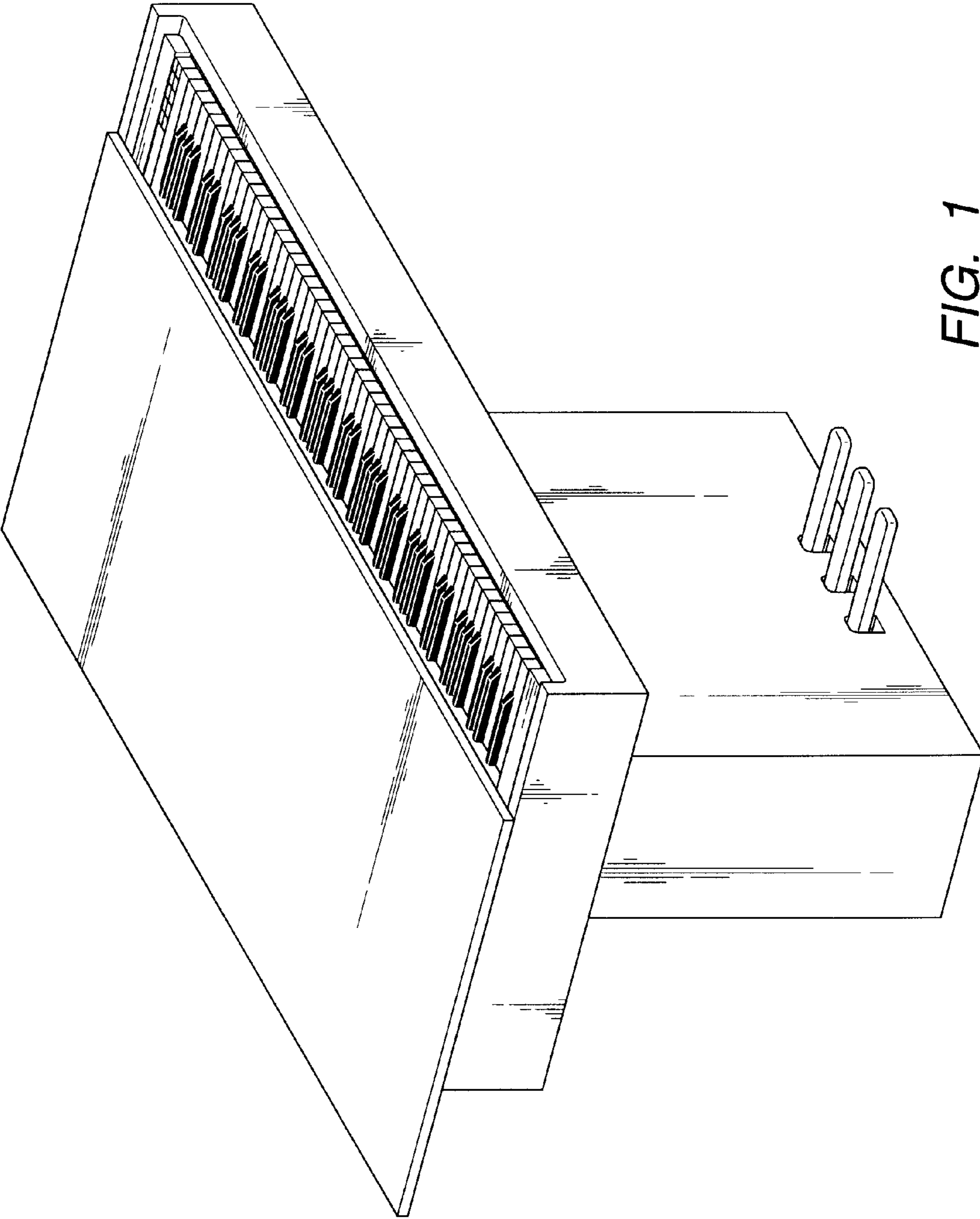


FIG. 1

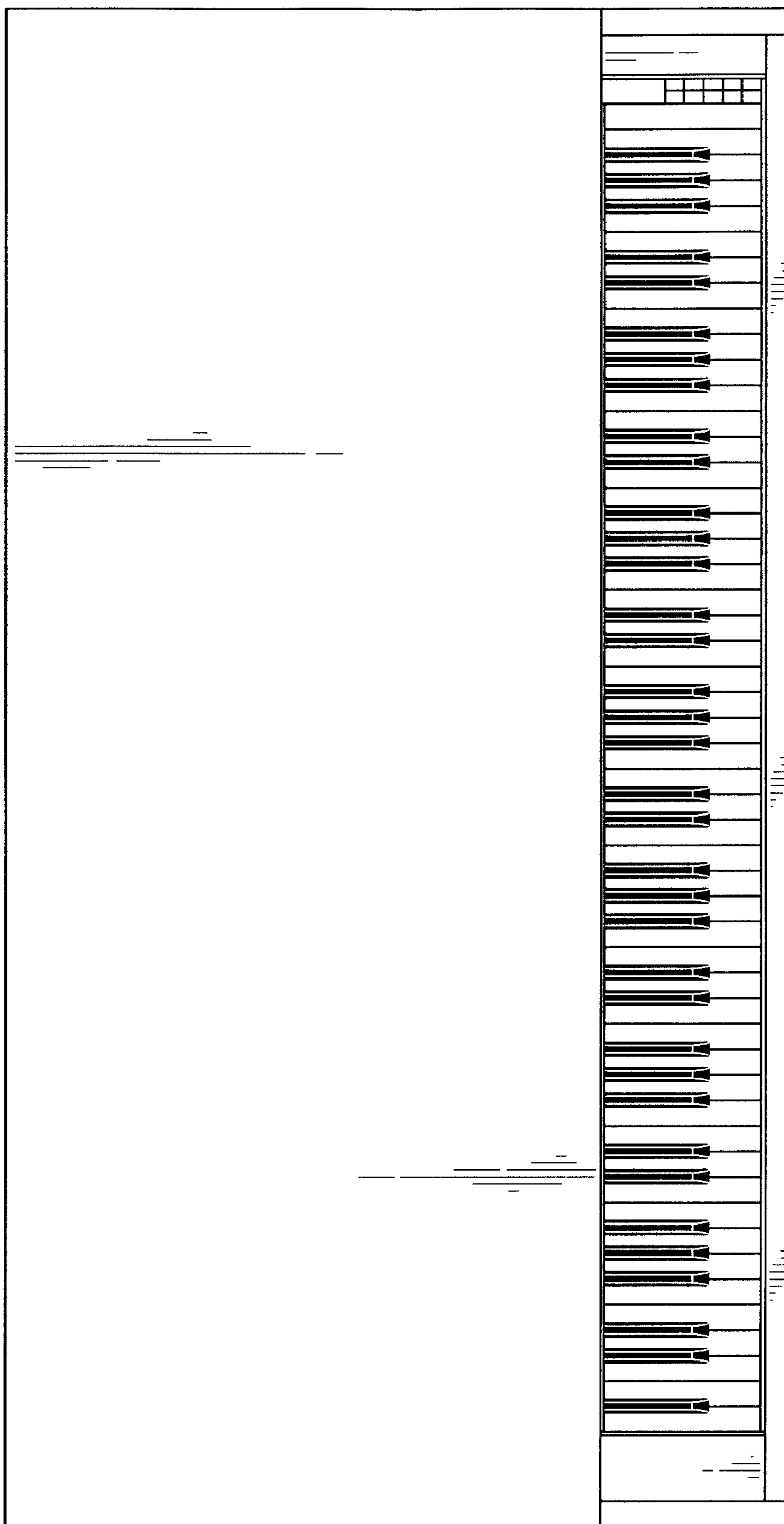


FIG. 2

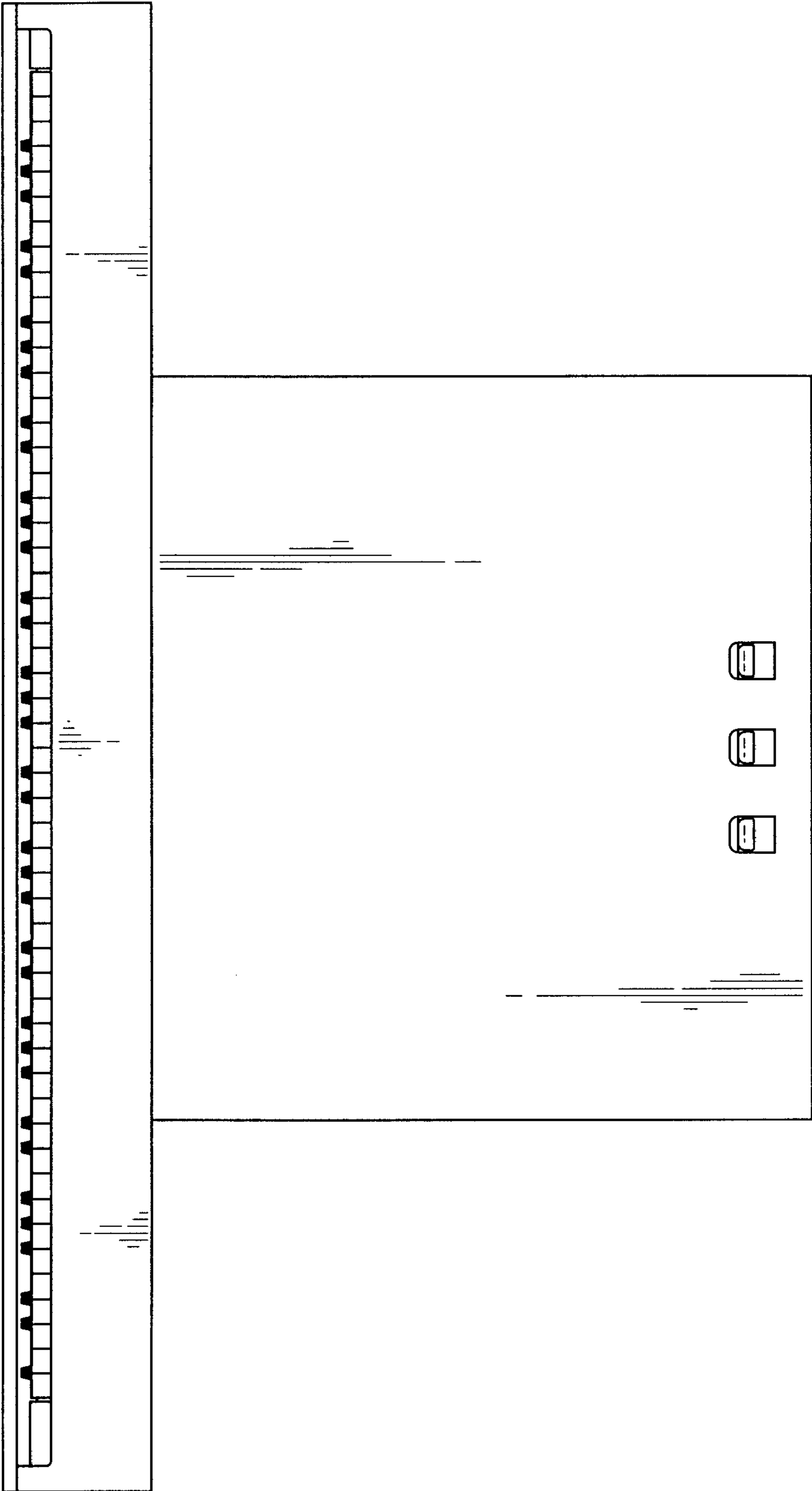


FIG. 3

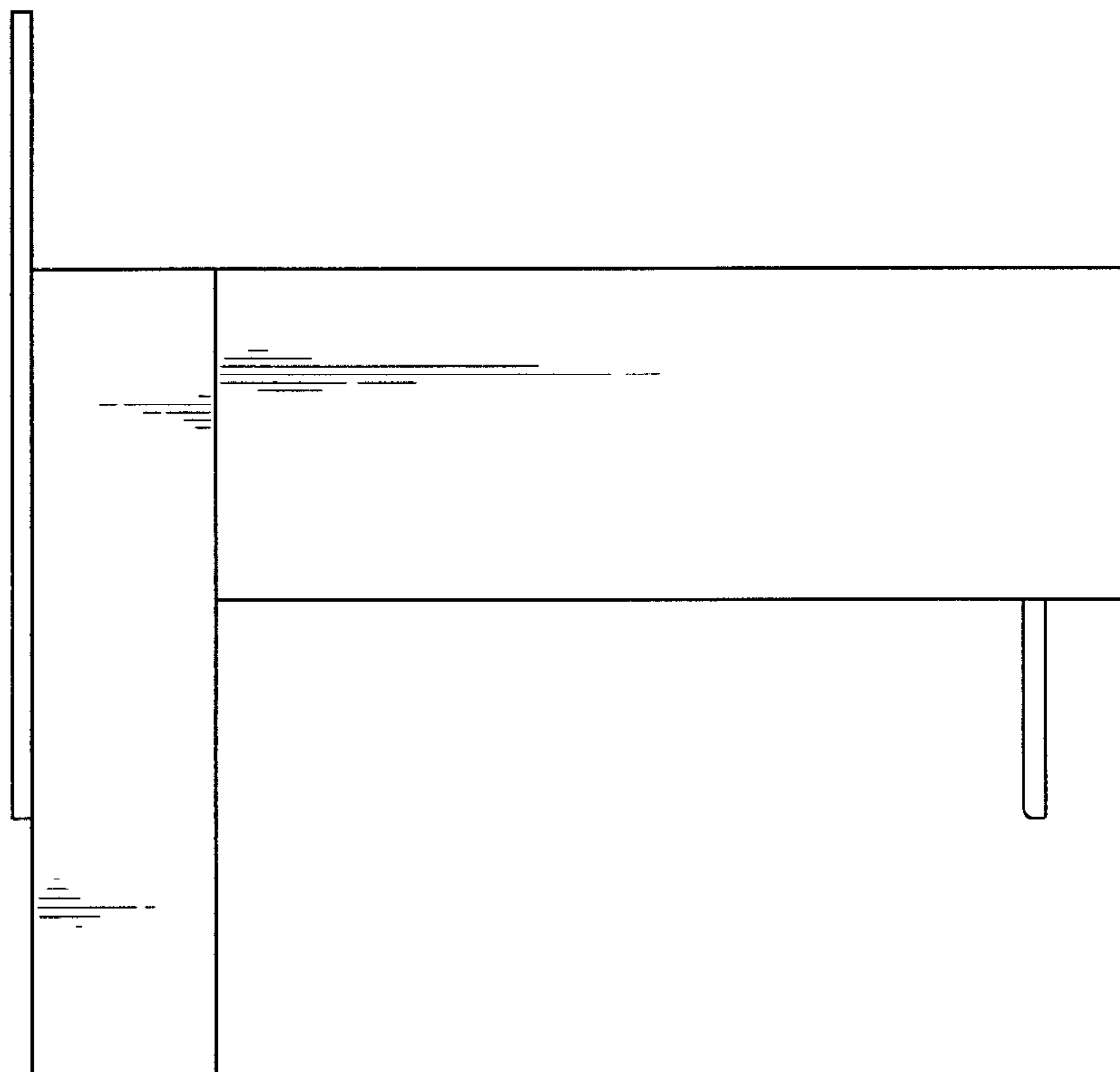


FIG. 5

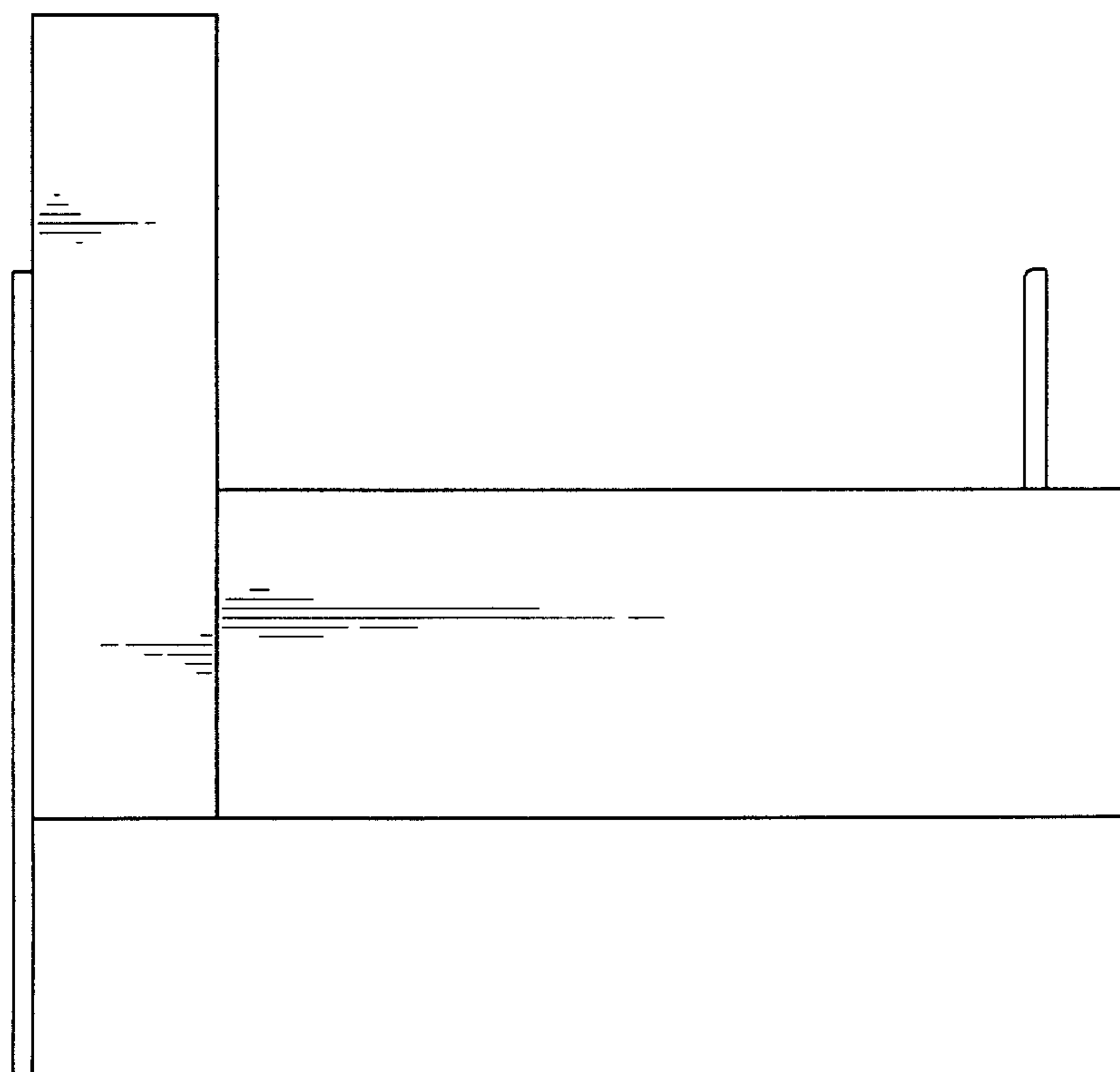


FIG. 4

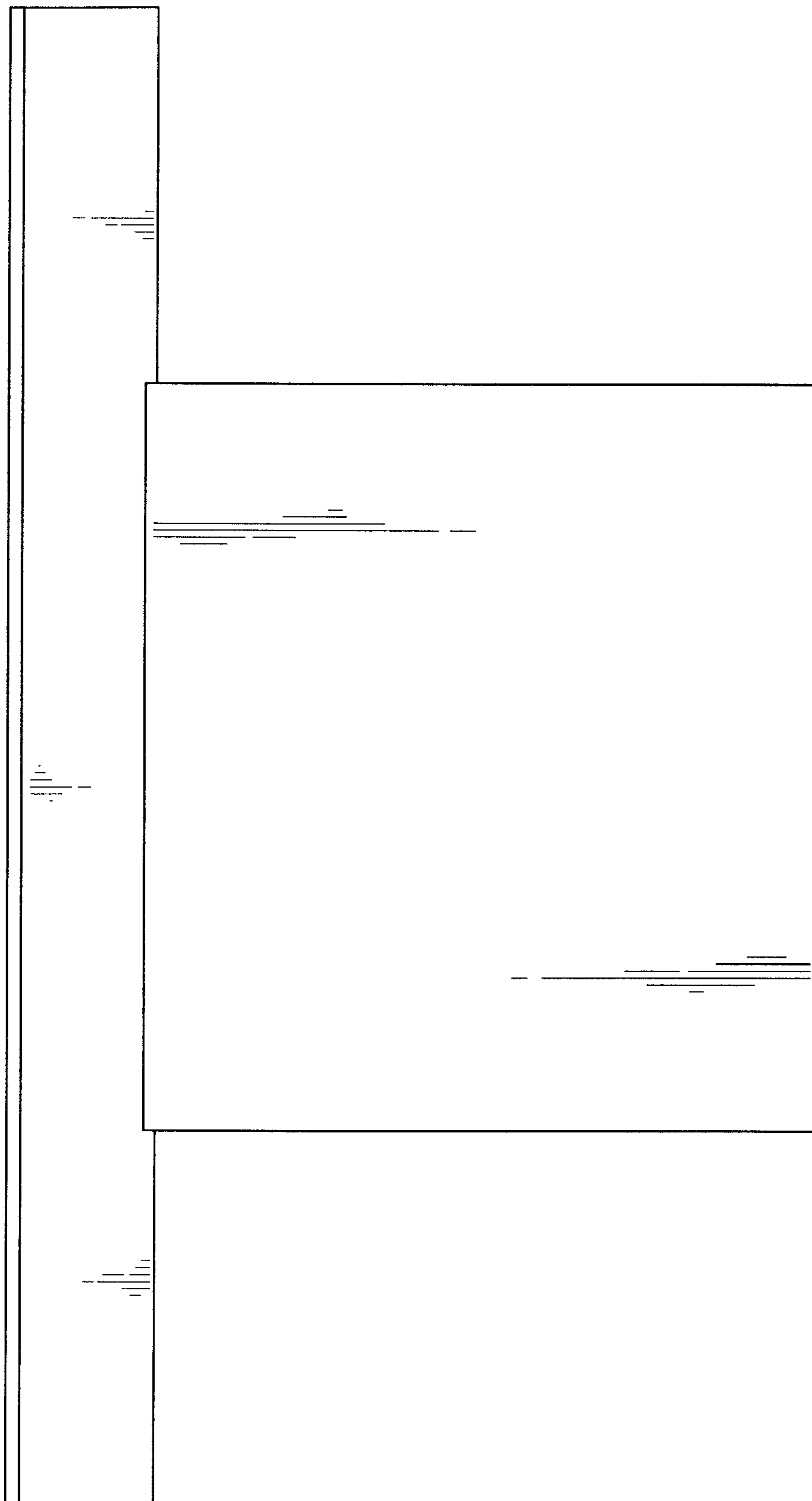


FIG. 6

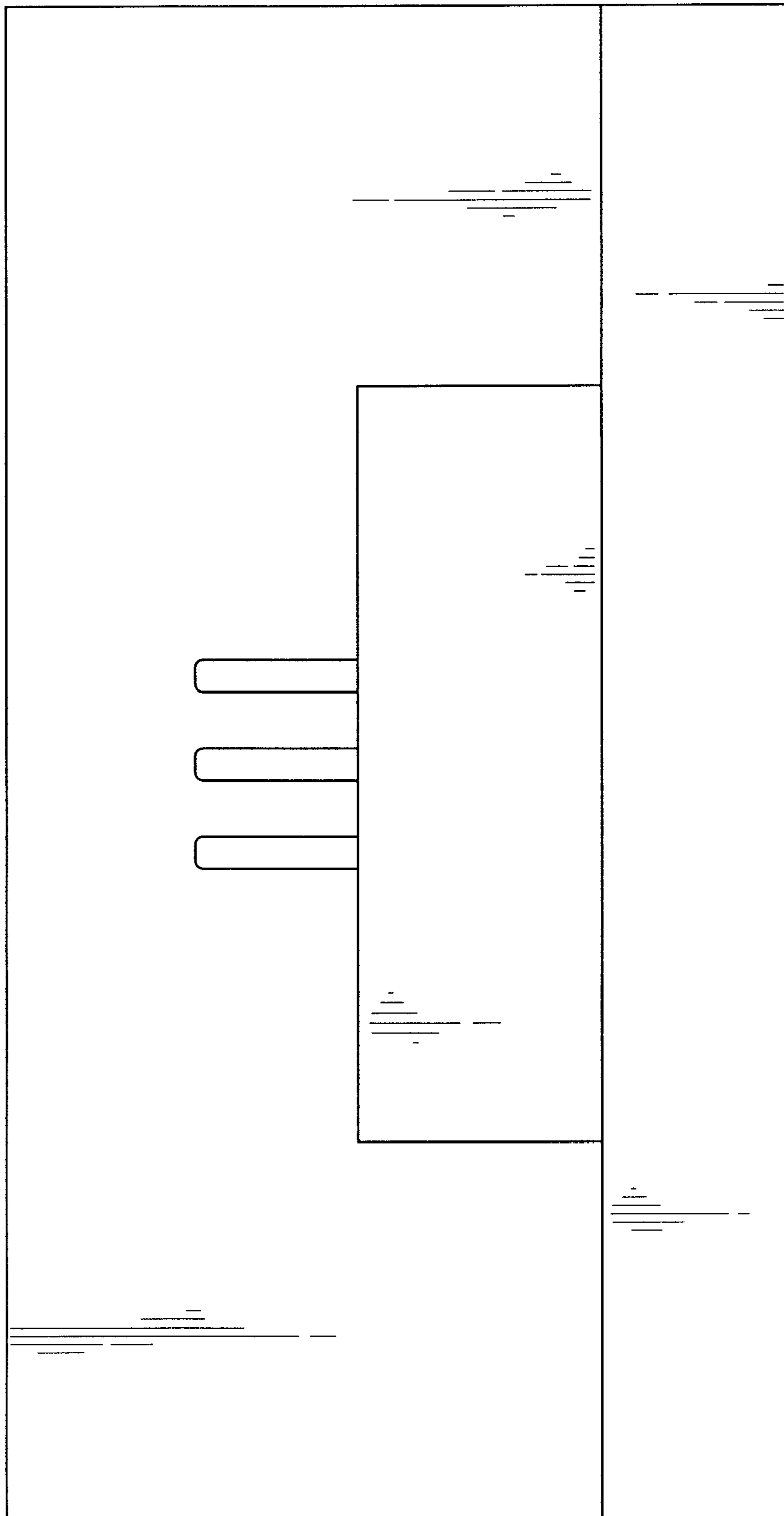


FIG. 7

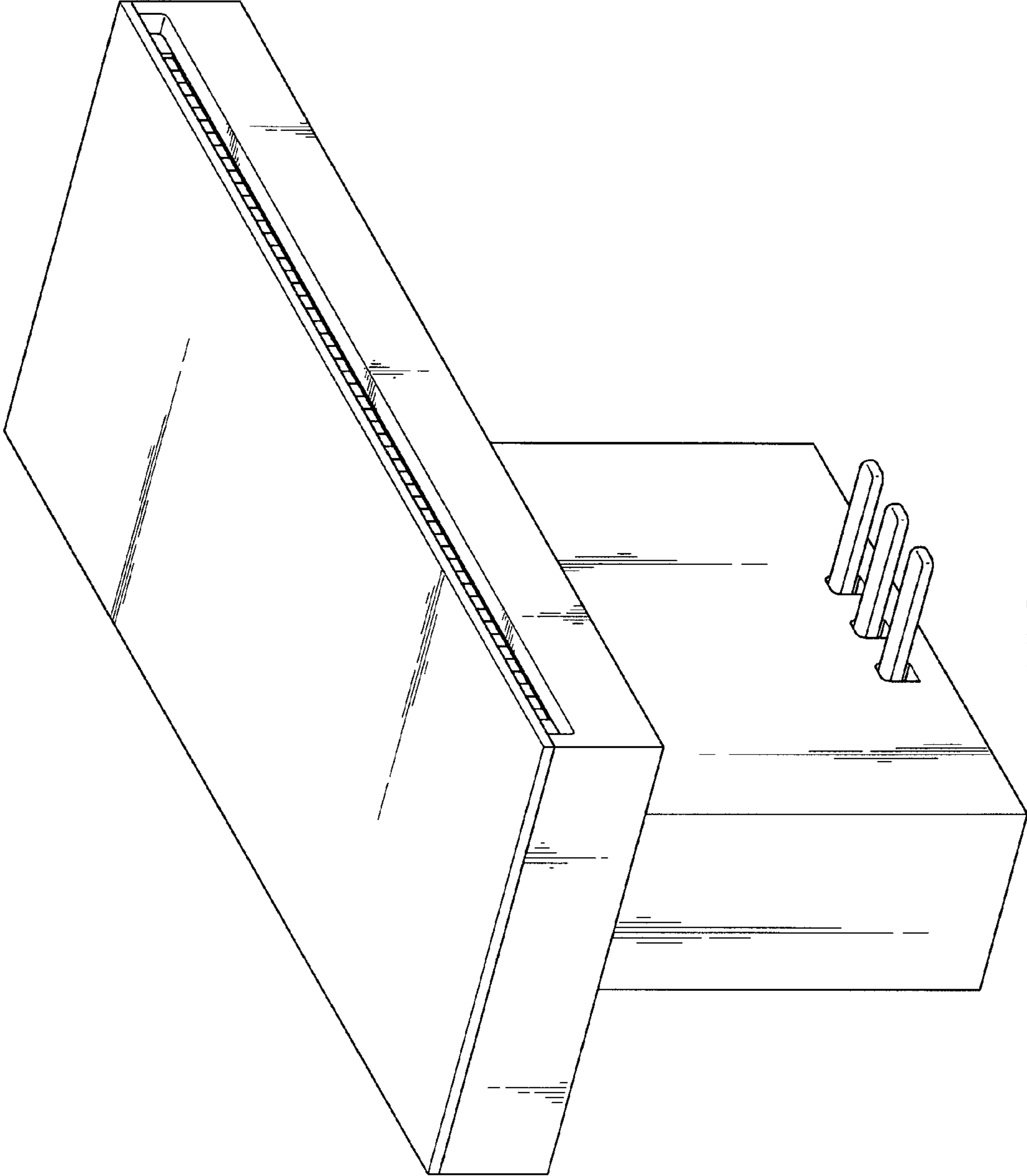


FIG. 8