

US00D595330S

(12) **United States Design Patent**
Hsu

(10) **Patent No.:** **US D595,330 S**
(45) **Date of Patent:** **** Jun. 30, 2009**

(54) **FILM CONVERSION DEVICE**

(75) Inventor: **Chun Chieh Hsu**, Chung Ho (TW)

(73) Assignee: **CRS Electronic Co., Ltd.**, Hsichi, Taipei Hsien (TW)

(**) Term: **14 Years**

(21) Appl. No.: **29/328,517**

(22) Filed: **Nov. 25, 2008**

Related U.S. Application Data

(63) Continuation of application No. 12/003,398, filed on Dec. 26, 2007.

(51) **LOC (9) Cl.** **16-04**

(52) **U.S. Cl.** **D16/246**

(58) **Field of Classification Search** D16/246,
D16/247, 250; D18/50, 53; 348/96, 373,
348/441

See application file for complete search history.

(56) **References Cited**

U.S. PATENT DOCUMENTS

- D312,690 S * 12/1990 Reibl D16/247
- D314,008 S * 1/1991 Takahashi et al. D16/246
- 5,034,822 A 7/1991 Stevens
- 5,293,242 A 3/1994 Mamiya
- 5,351,139 A 9/1994 Miyahara et al.
- 5,400,117 A 3/1995 Fetterman et al.
- 5,469,209 A 11/1995 Gunday et al.
- 5,610,730 A 3/1997 Osipchuk
- D379,363 S * 5/1997 Nelson et al. D16/247
- 5,644,356 A 7/1997 Swinson et al.
- 5,663,762 A * 9/1997 Nishiyama 348/373
- 5,678,102 A 10/1997 Chamberlain, IV
- 5,808,668 A 9/1998 Ikari et al.
- 5,822,045 A 10/1998 Erck
- D408,838 S * 4/1999 Nelson et al. D16/247

- 5,929,903 A 7/1999 Kiesow
- 5,973,729 A 10/1999 Washizu
- 5,995,138 A * 11/1999 Beer et al. 348/96
- 6,035,144 A 3/2000 Gfeller
- 6,118,478 A 9/2000 Brett
- D432,563 S * 10/2000 Lin et al. D18/50
- 6,178,016 B1 1/2001 Ashe et al.
- 6,335,758 B1 1/2002 Ochi et al.
- 6,496,658 B2 12/2002 Chino et al.
- 6,891,562 B2 5/2005 Spence et al.
- 6,930,714 B2 8/2005 Mead
- 6,943,820 B2 9/2005 Schmidt
- 7,164,437 B2 1/2007 True et al.
- 7,217,943 B2 5/2007 Eckardt et al.
- 2005/0117899 A1 6/2005 Selby

FOREIGN PATENT DOCUMENTS

JP 2001-145019 5/2001

* cited by examiner

Primary Examiner—Adir Aronovich

(74) *Attorney, Agent, or Firm*—Neal, Gerber & Eisenberg LLP

(57) **CLAIM**

The ornamental design for a film conversion device, as shown and described.

DESCRIPTION

FIG. 1 is a front top and left side perspective view of a film conversion device showing my new design;

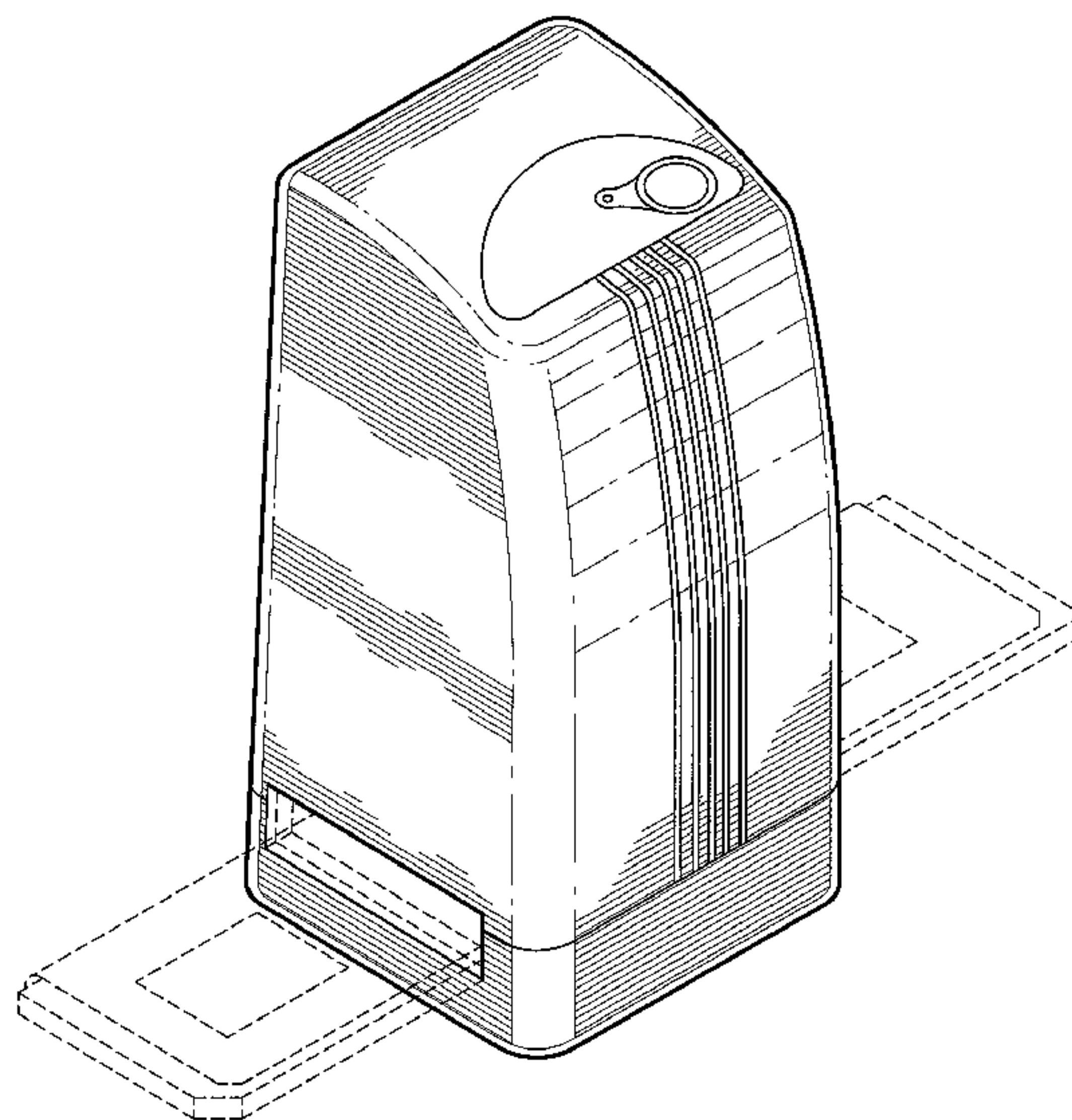
FIG. 2 is a right side elevational view of the film conversion device;

FIG. 3 is a left side elevational view of the film conversion device;

FIG. 4 is a top plan view of the film conversion device; and,

FIG. 5 is a front elevational view of the film conversion device.

1 Claim, 5 Drawing Sheets



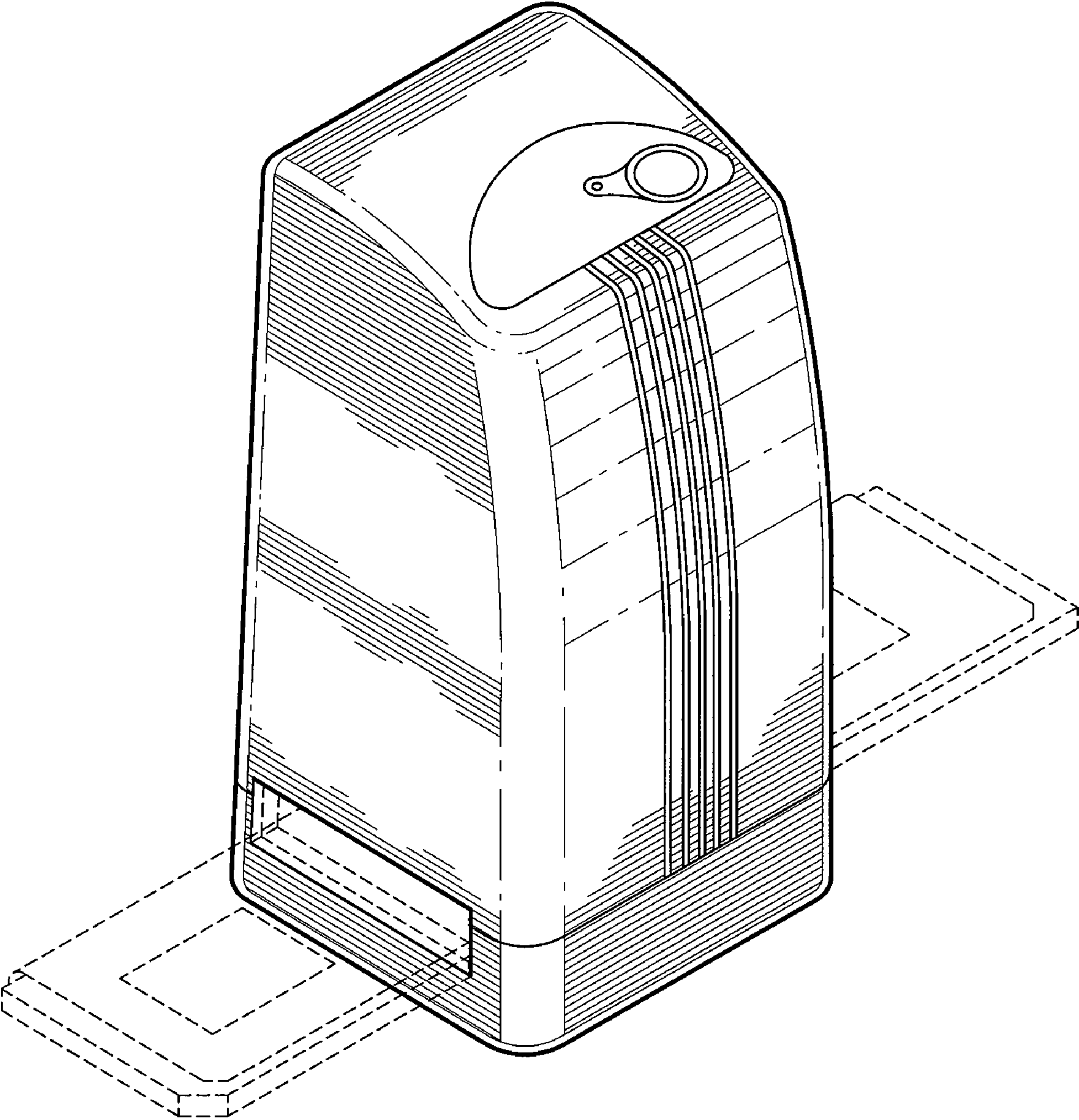


FIG. 1

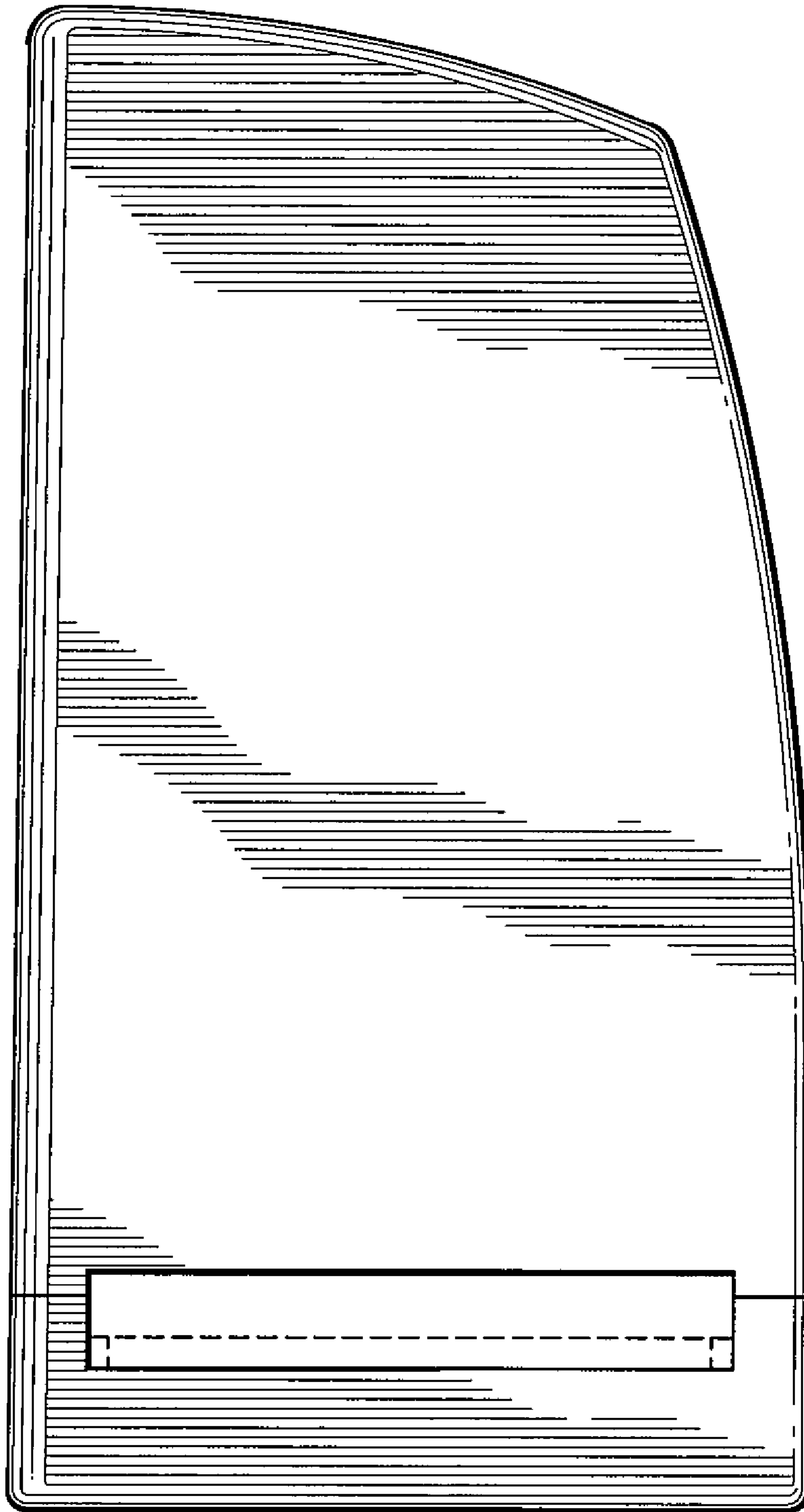


FIG. 2

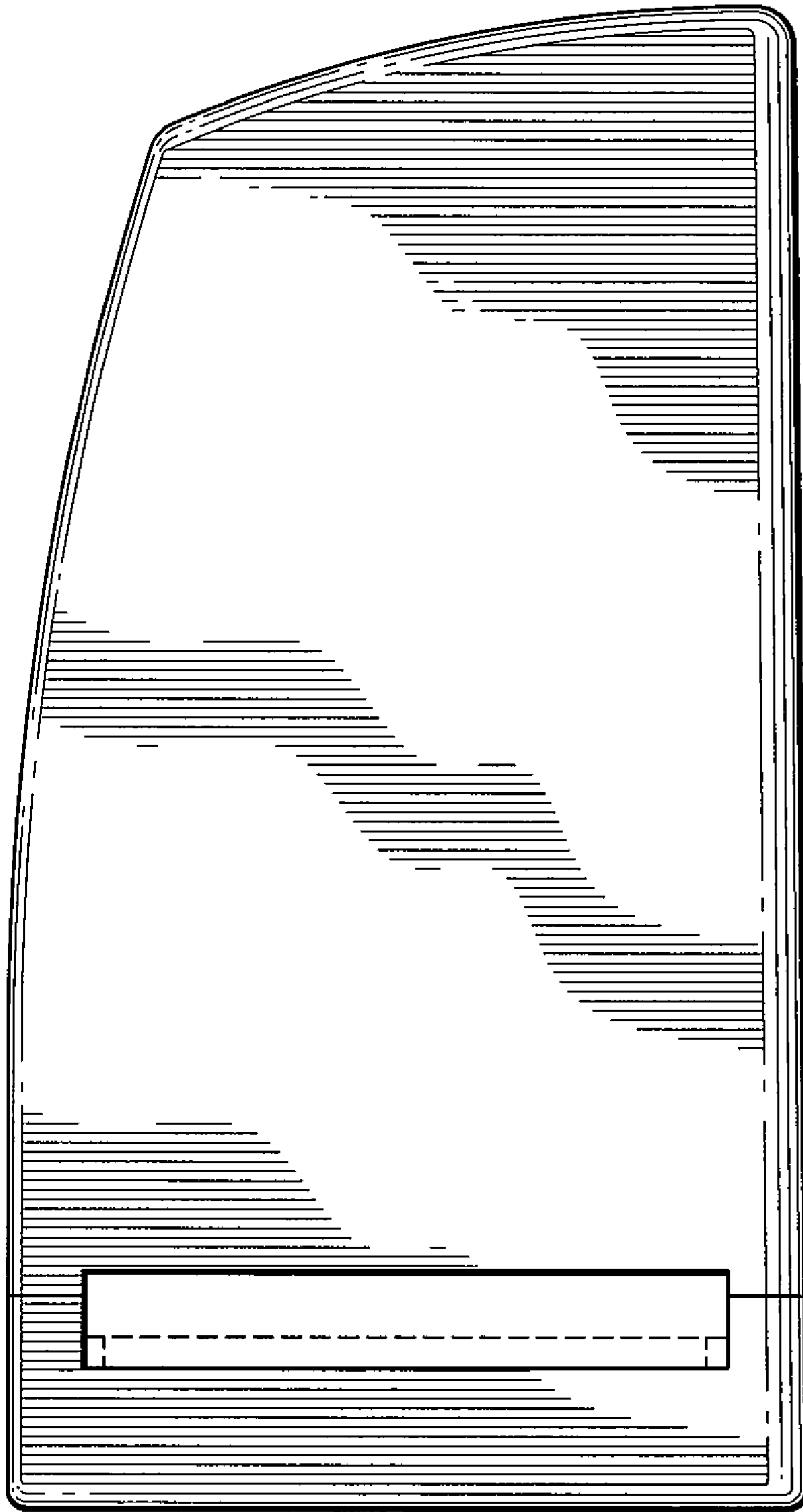


FIG. 3

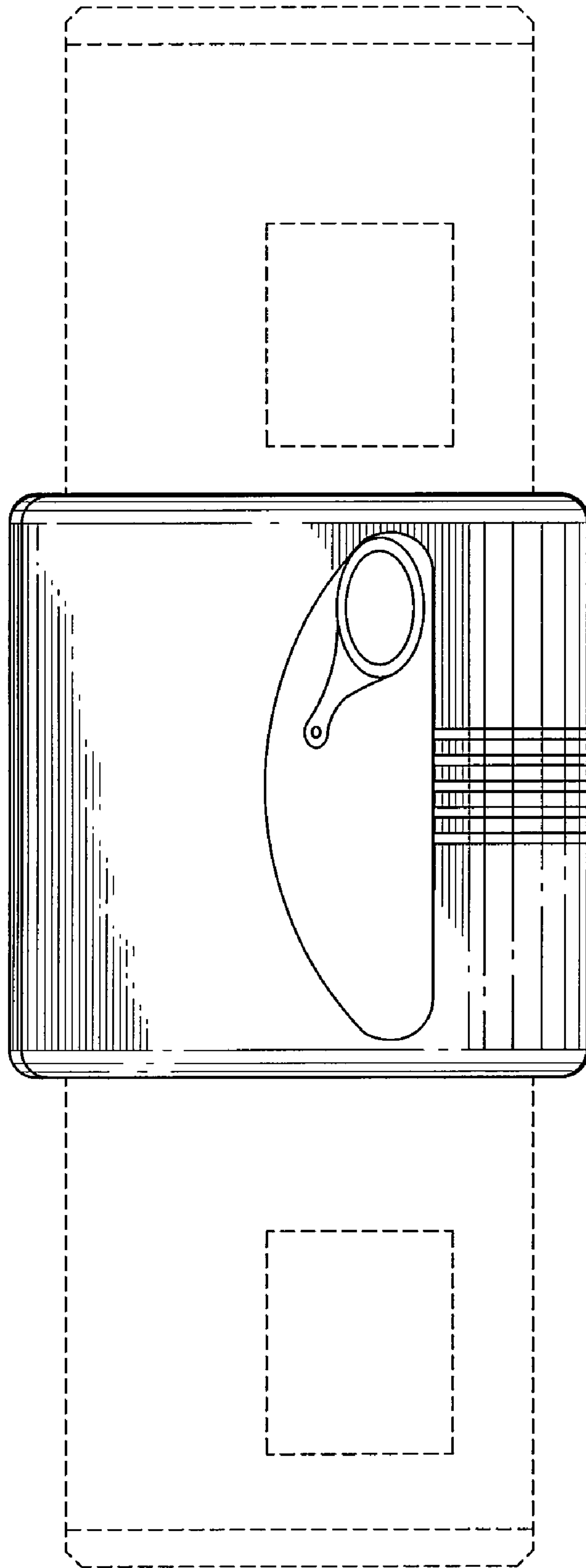


FIG. 4

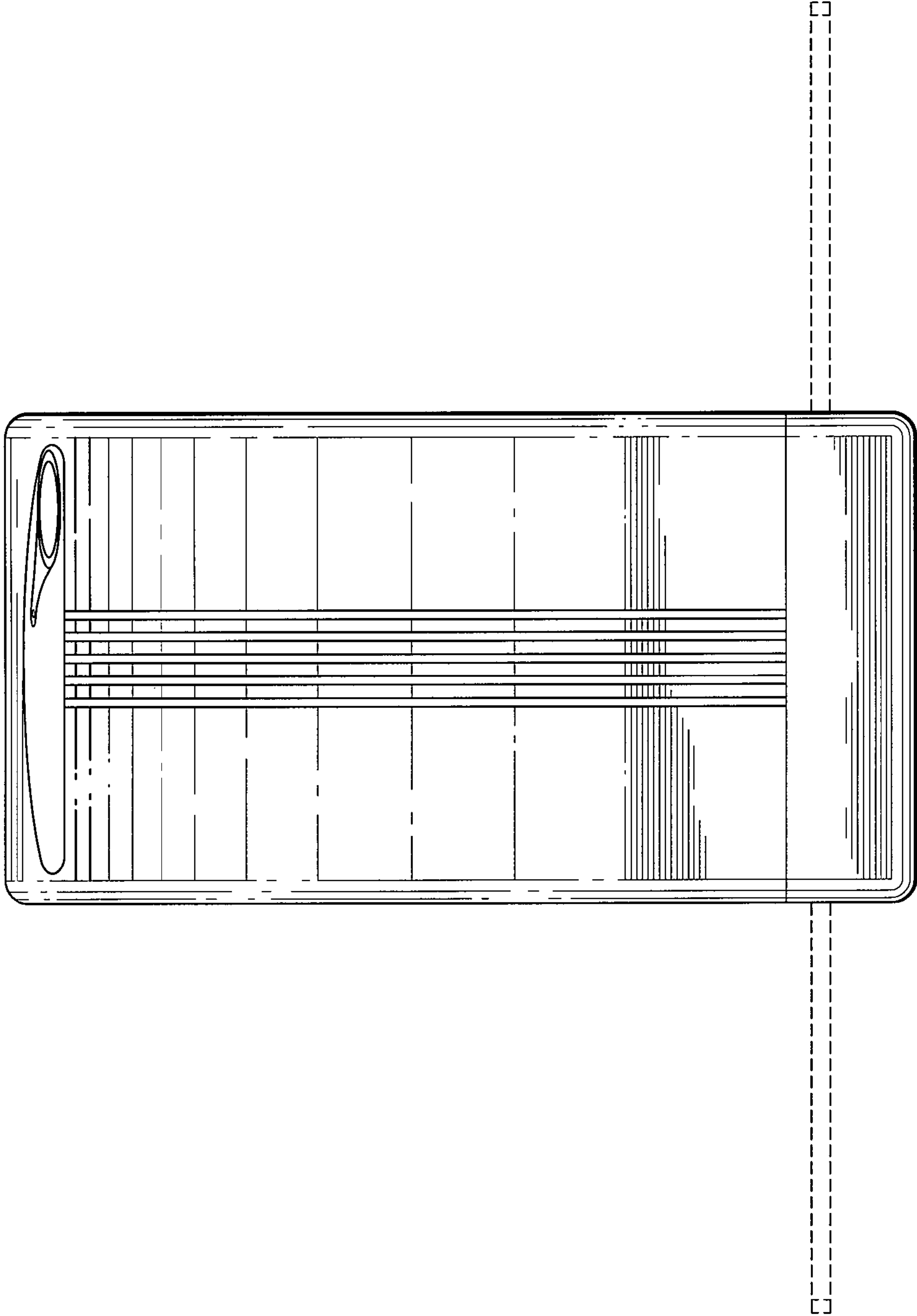


FIG. 5