



US00D595329S

(12) **United States Design Patent**
Sakamaki et al.

(10) **Patent No.:** **US D595,329 S**
(45) **Date of Patent:** **** Jun. 30, 2009**

(54) **PROJECTOR**

(75) Inventors: **Isao Sakamaki**, Matsumoto (JP); **Tetsu Nakayama**, Shiojiri (JP); **Hirohisa Nakano**, Matsumoto (JP); **Toshimitsu Watanabe**, Matsumoto (JP)

(73) Assignee: **Seiko Epson Corporation**, Tokyo (JP)

(**) Term: **14 Years**

(21) Appl. No.: **29/321,086**

(22) Filed: **Jul. 10, 2008**

(30) **Foreign Application Priority Data**

Mar. 26, 2008 (JP) 2008-007504

(51) **LOC (9) Cl.** **16-02**

(52) **U.S. Cl.** **D16/235**

(58) **Field of Classification Search** D16/205, D16/208, 213, 221, 225, 230–231, 234, 235, D16/207, 211, 217, 219; D21/514; 353/115, 353/119, 122, 88, 96, 100–101, 103; D14/432, D14/383, 356

See application file for complete search history.

(56) **References Cited**

U.S. PATENT DOCUMENTS

D545,342 S * 6/2007 Sakamaki et al. D16/235

D548,264 S * 8/2007 Sakamaki et al. D16/230
D564,566 S * 3/2008 Naruki D16/230
D565,078 S * 3/2008 Funaki et al. D16/231
D574,875 S 8/2008 Sakamaki et al.
2007/0206163 A1 * 9/2007 Kuroda 353/88

* cited by examiner

Primary Examiner—Ian Simmons

Assistant Examiner—Wan Laymon

(74) *Attorney, Agent, or Firm*—Oliff & Berridge, PLC

(57) **CLAIM**

The ornamental design for a projector, as shown and described.

DESCRIPTION

FIG. 1 is a perspective view of a projector with a shutter door in a closed position;

FIG. 2 is a front view thereof;

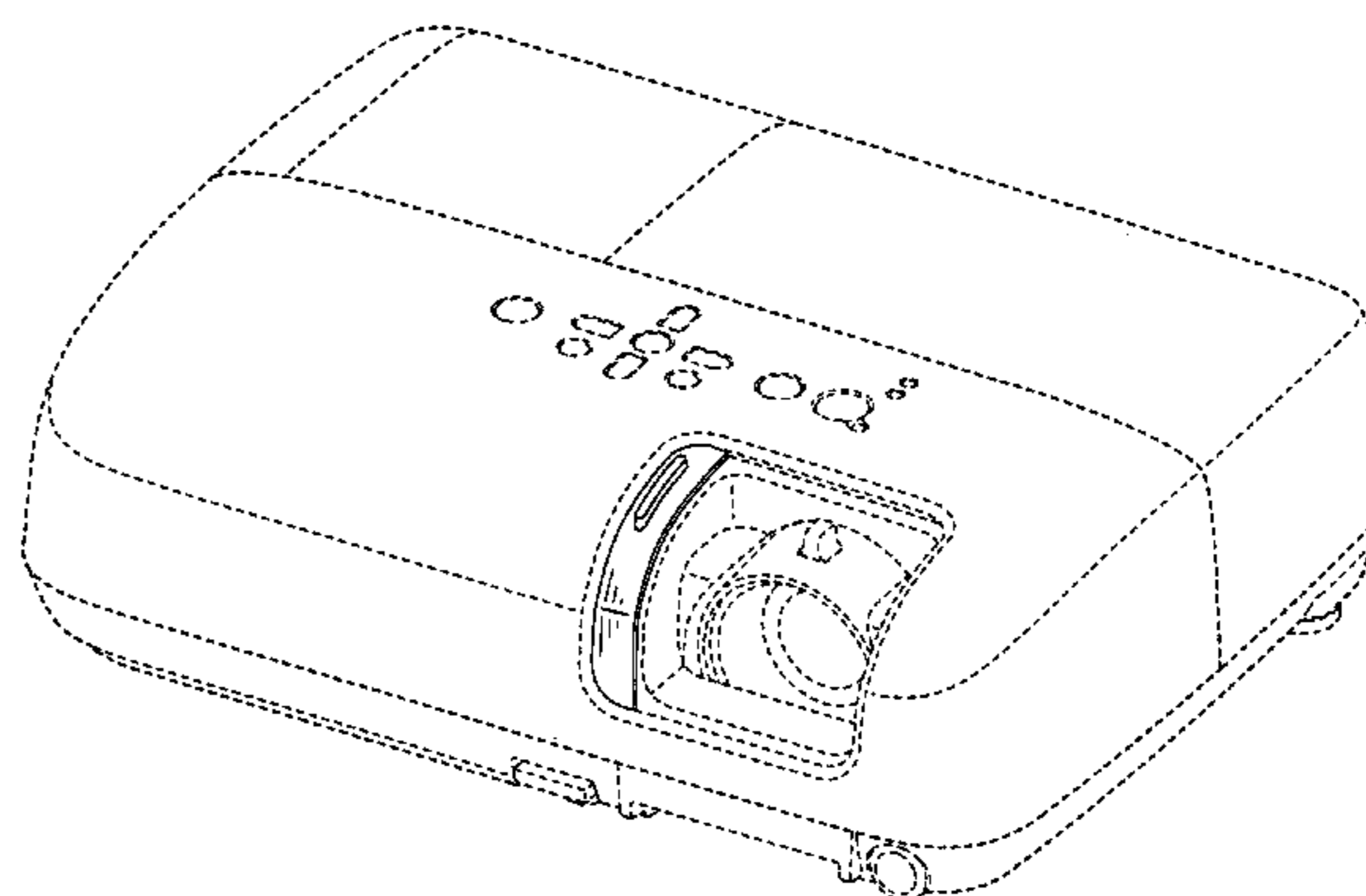
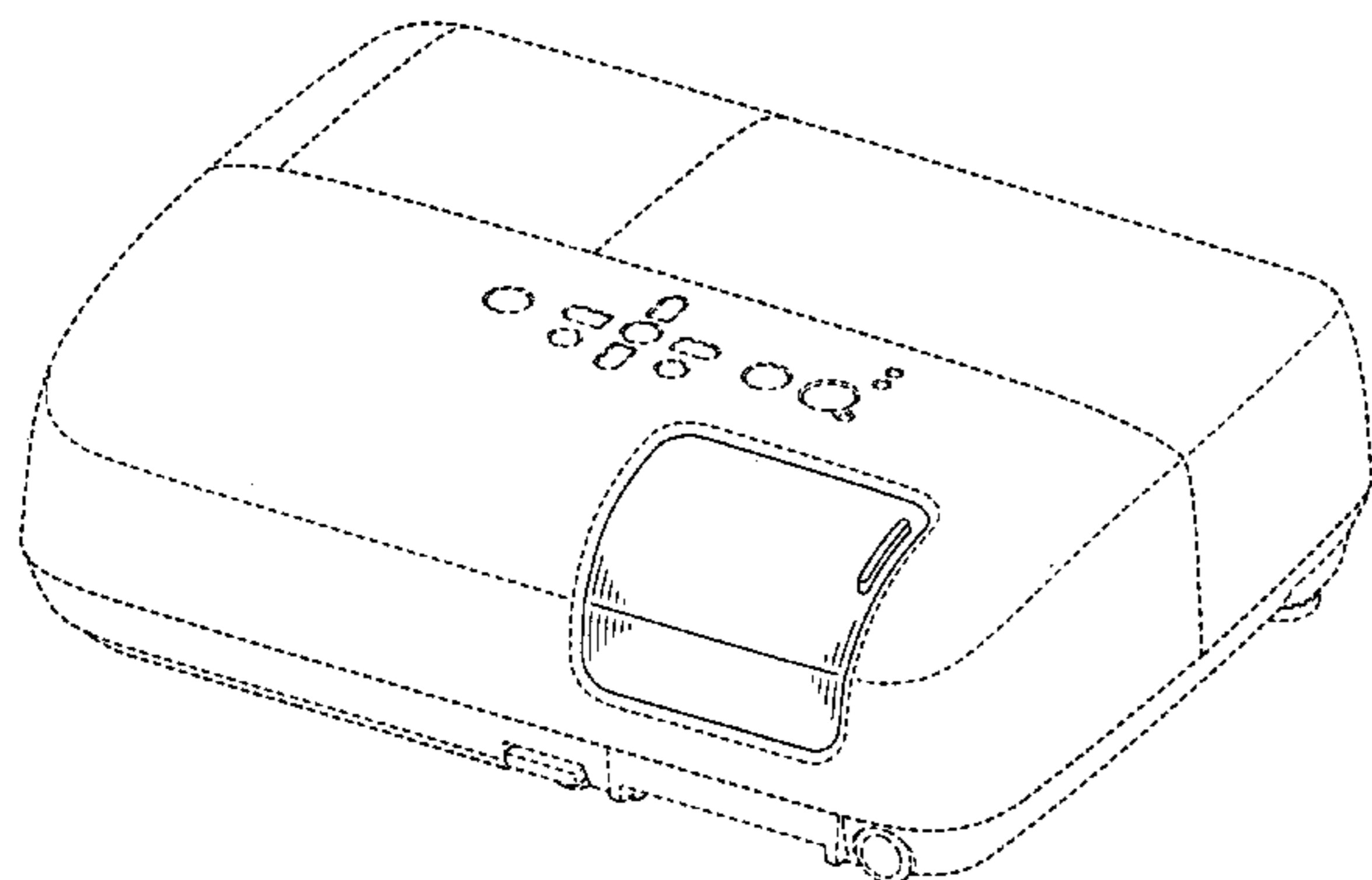
FIG. 3 is a right-side view thereof;

FIG. 4 is a top view thereof; and,

FIG. 5 is a perspective view of the projector with the shutter door in an open position.

The broken lines depict environmental subject matter only and form no part of the claimed design.

1 Claim, 4 Drawing Sheets



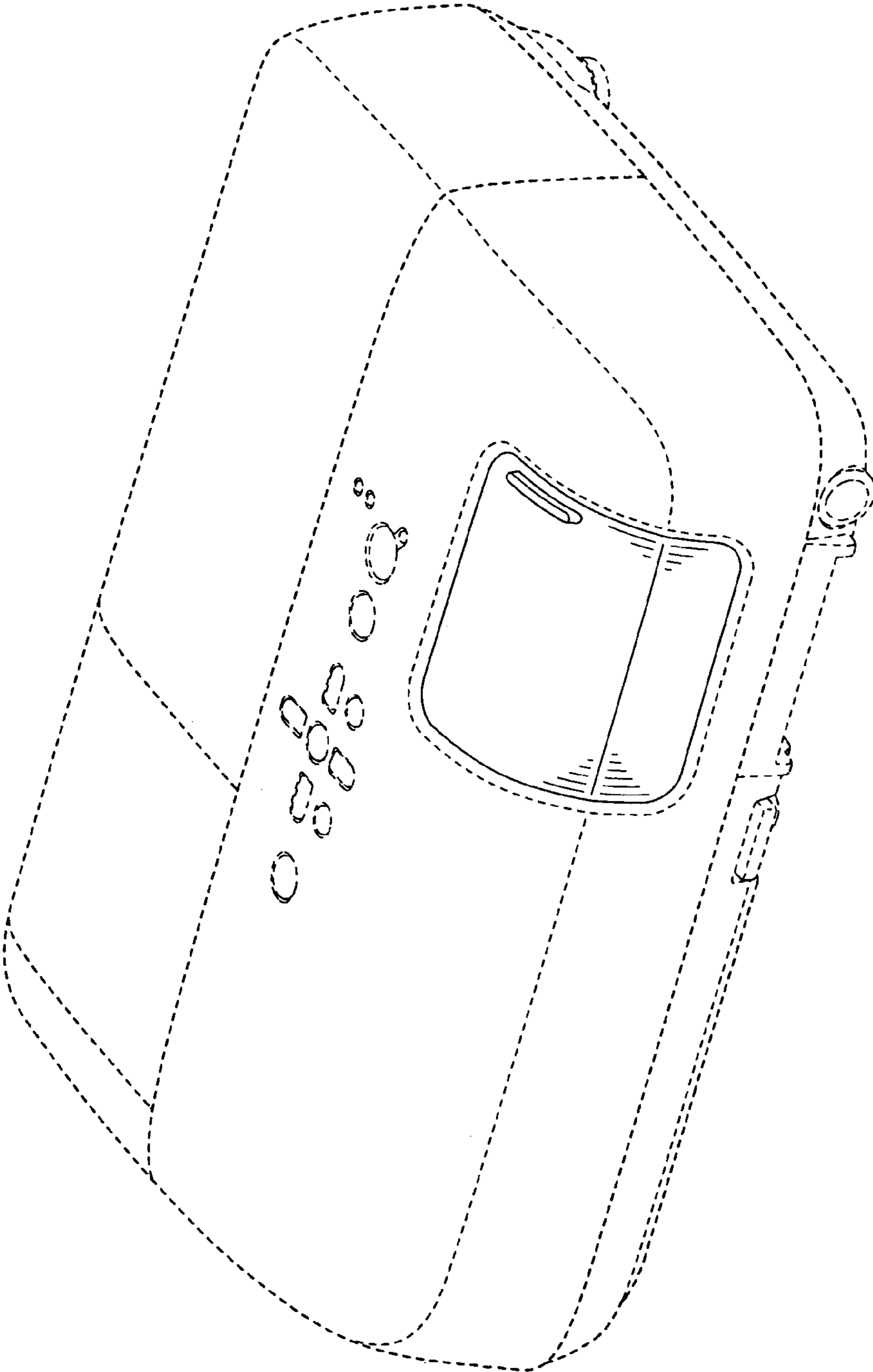


FIG. 1

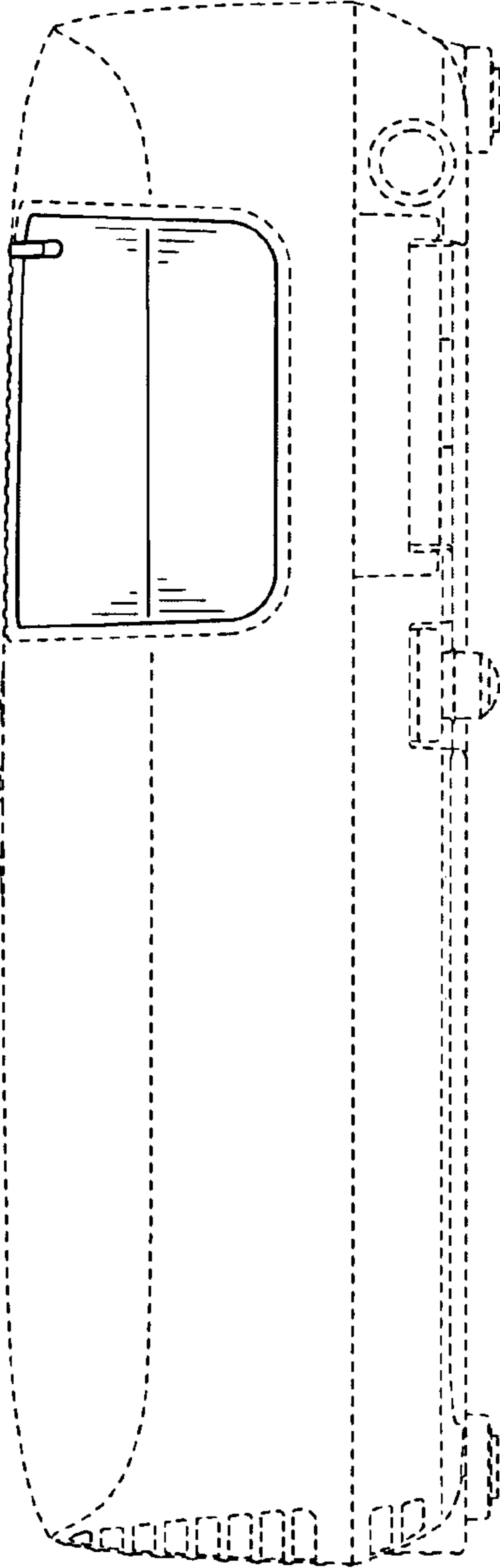


FIG. 2

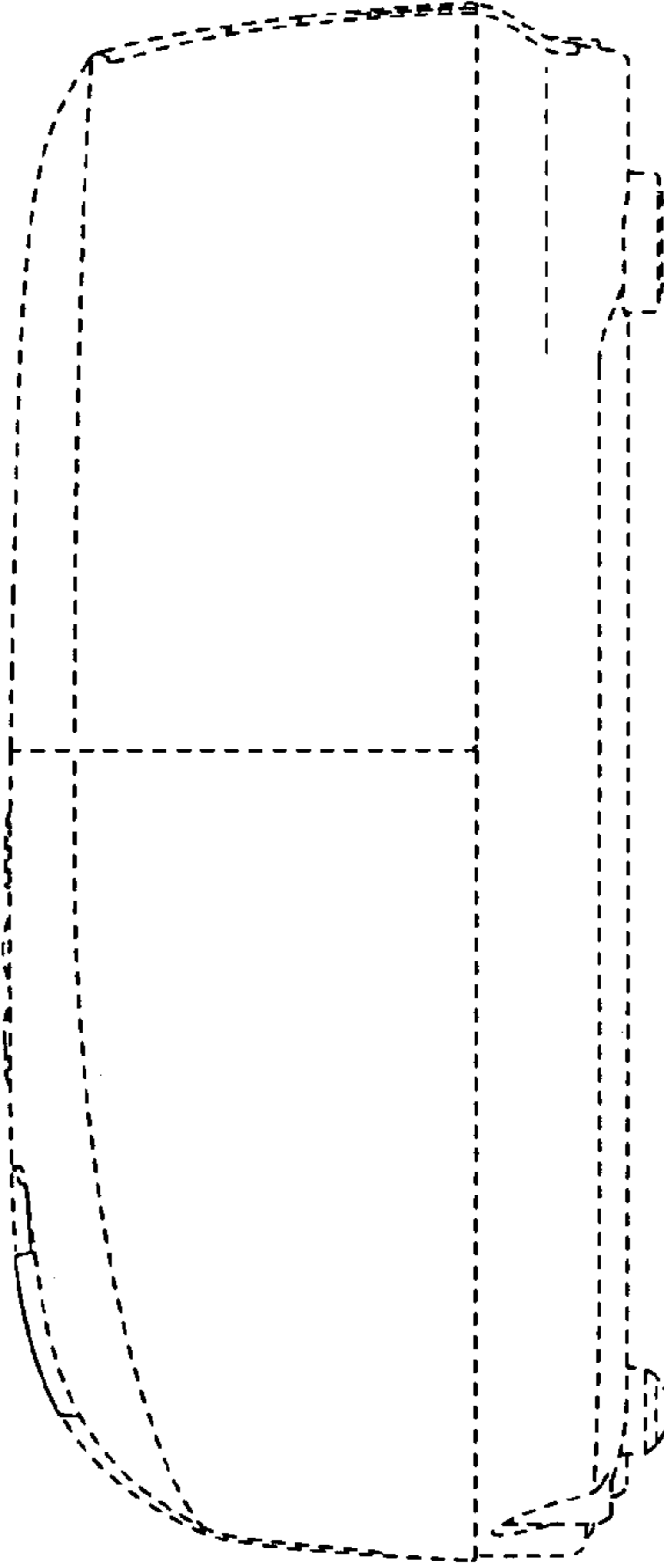


FIG. 3

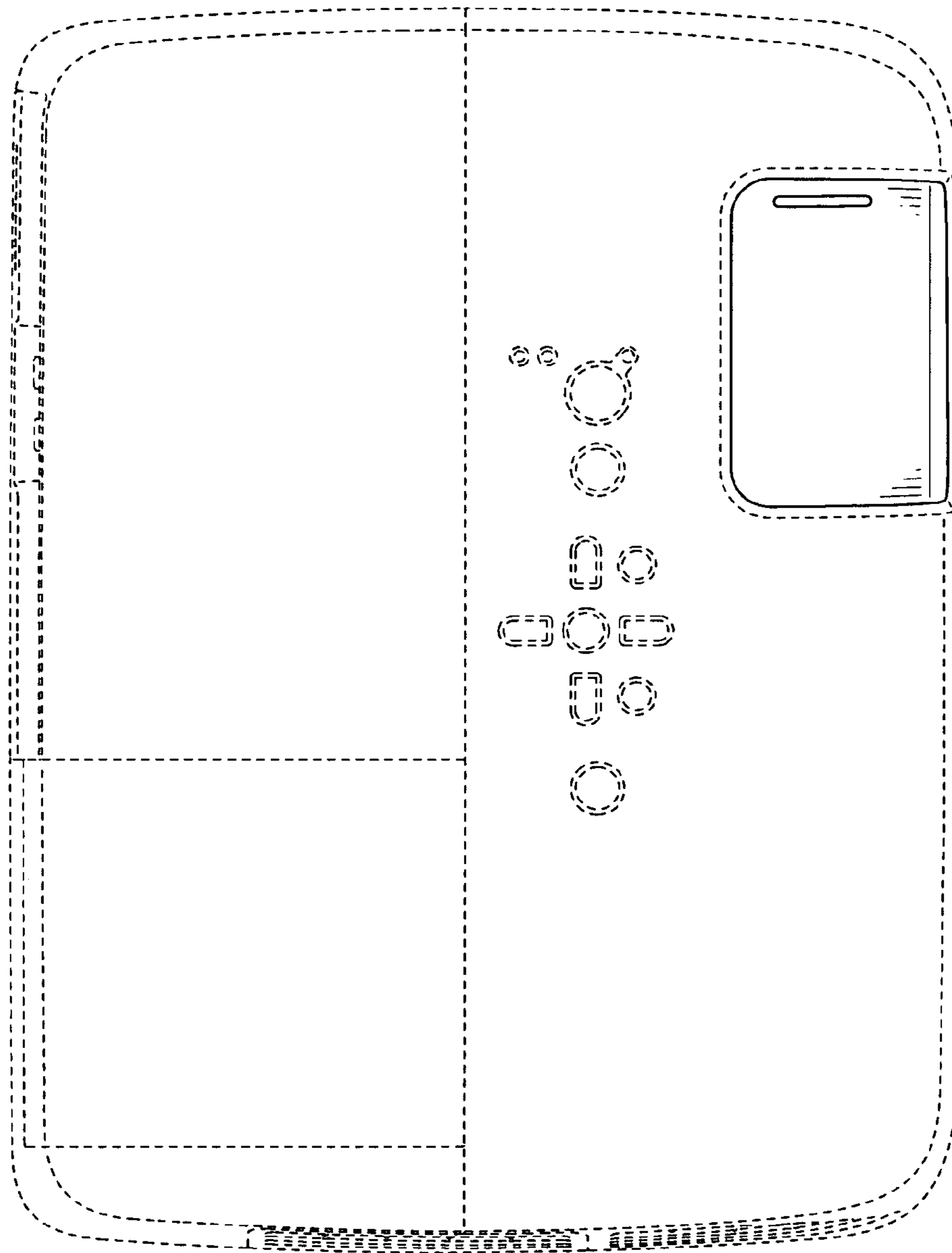


FIG. 4

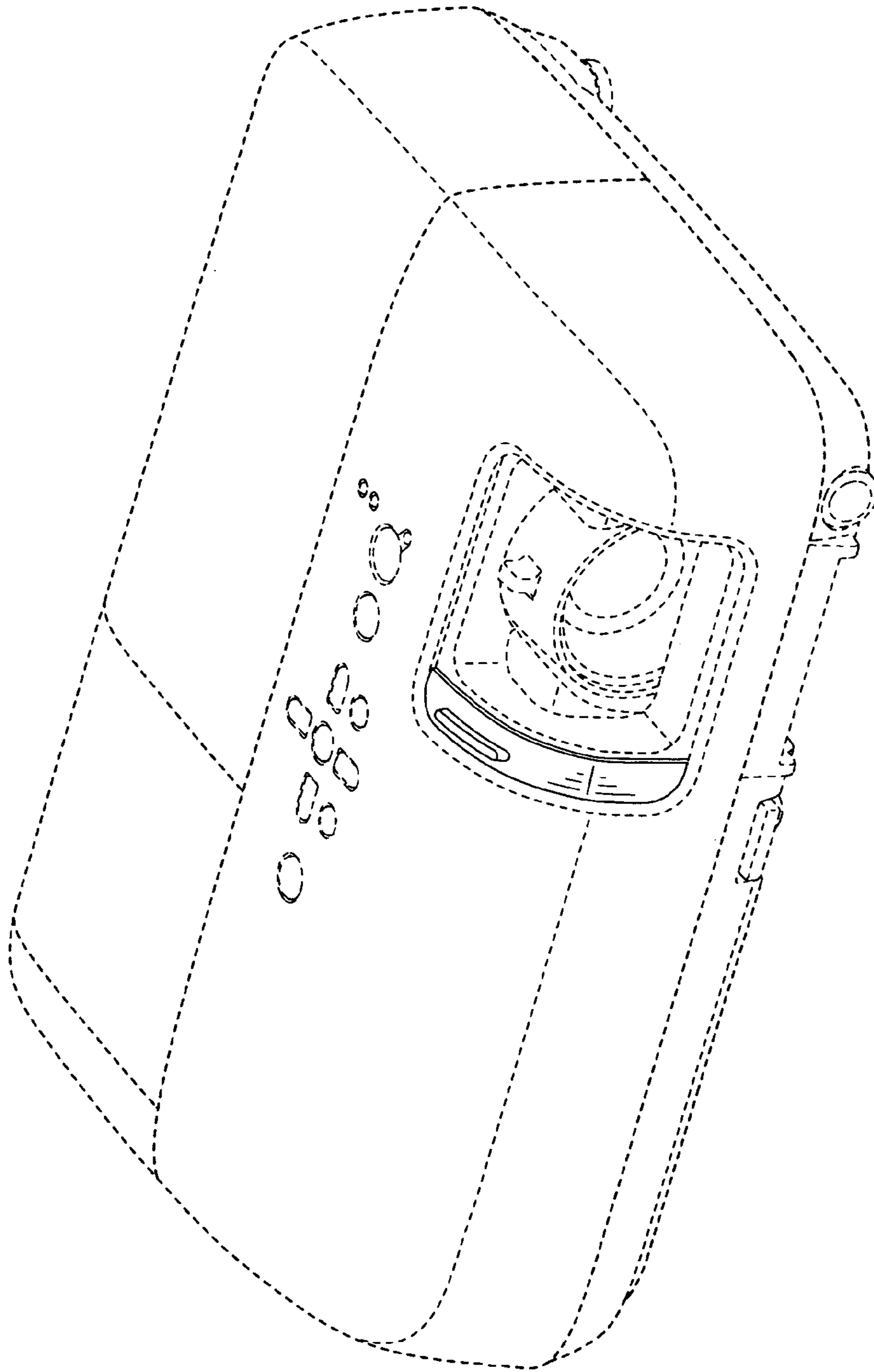


FIG. 5